



## PRODUCT SPECIFICATION

### FARMON 550mm 1th BASIN, PED & SEMI PED

ILLUSTRATION: FARMON 550 1 TH BASIN & PED  
550 1 TH BASIN & SEMI-PED CODE:  
550 1 TH BASIN - POT085OP  
PEDESTAL - POT453SE  
SEMI-PED - POT454SE



COLOUR: WHITE

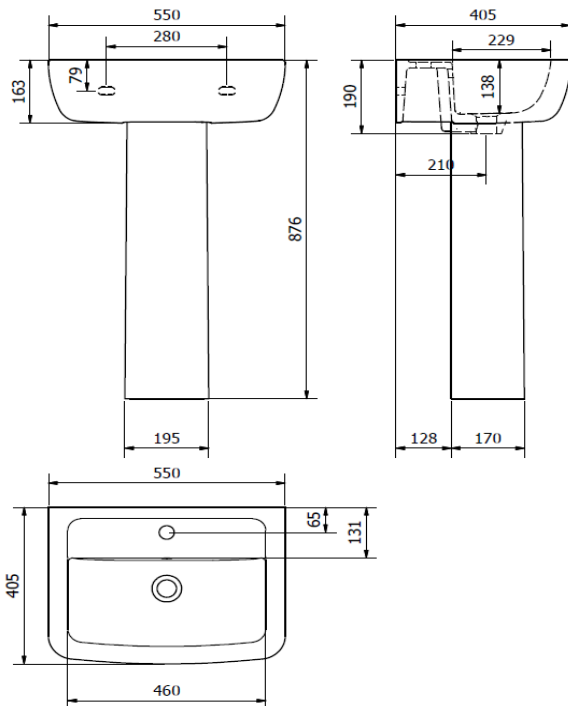
WEIGHT:	BASIN	PED	SEMI- PED
NET:	17.0 KG	10.0 KG	7.0 KG
GROSS:	18.0 KG	10.5 KG	8.0 KG

STANDARDS: BS EN 14688  
BS EN 31  
BS 3402

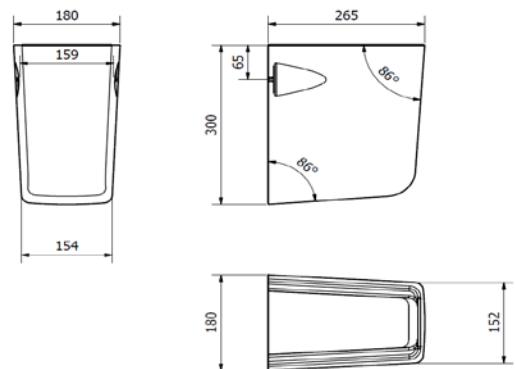


NOTES:  
VITREOUS CHINA  
1 TAP HOLE

**BASIN & PED**



**SEMI - PED**



BOX SIZES :- BASIN = 570 X 430 X 210 mm, PED = 200 X 180 X 740, SEMI PED = 330 X 265 X 220