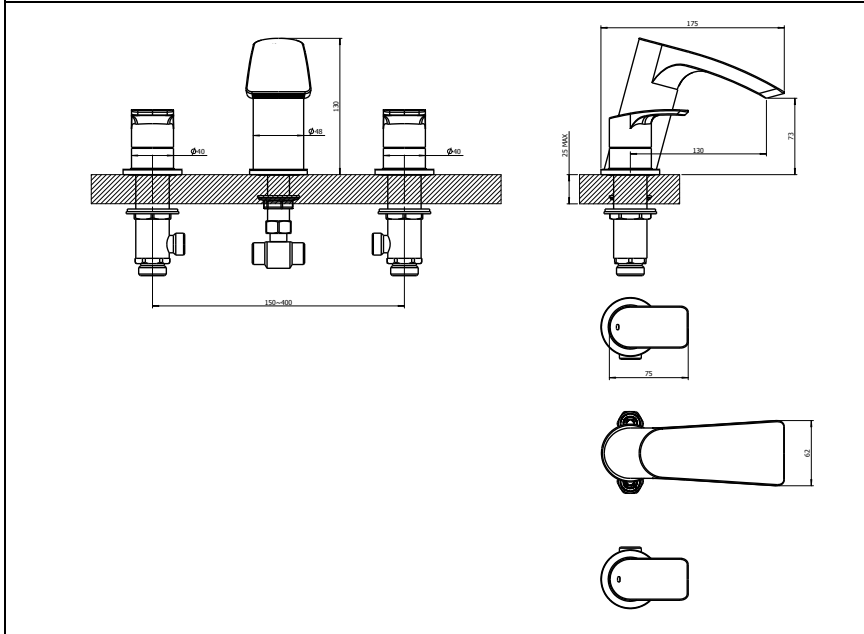




WATERFALL

4K7003 – 3 HOLE BATH FILLER

Francis Pegler
BY COMAP



| Specification | |
|-----------------------|------------------------|
| Finish | Chrome |
| Body | Brass |
| Fittings | Metal backnut & washer |
| Connection | 3/4" BSP threaded tail |
| Min dynamic pressure | 0.4 |
| Max dynamic pressure | 6 |
| Max static pressure | 25 |
| Max water temperature | 60°C |

| Flow rates | | | | |
|------------|-----|------|------|----|
| Pressure | 0.1 | 0.5 | 1 | 3 |
| L/min | 7 | 16.5 | 23.5 | 41 |

All Pressures are in Bar.
 Dimensions supplied are nominal and subject to tolerance.
 Inclusion of aerator (if supplied) or restrictors (sold separately unless stated) will affect flow rate result.
 Performance details are based on trials under test conditions and for guidance only.
 The Company reserves the right to change product specification without prior notice.

Features & Benefits

| | | | |
|--------------------------|------------------------|----------------|-----------------------|
| 10 YEAR Guarantee | H High Pressure | Inlet Tail | Flow Straightener |
| Single Flow | | | |

Certifications

| | |
|------------------|-----------------|
| | |
| 1705342 - May 22 | Tested at 3 bar |