

KAHA SWIVEL BASIN MIXER INSTALLATION GUIDE

TECHNICAL SPECIFICATIONS

Operating Pressure:

Min 0.35 bar, Max 10 bar.

Recommended 0.35 bar - 5 bar.

Recommended installation of a pressure limiting valve if supply exceeds 5 bar.

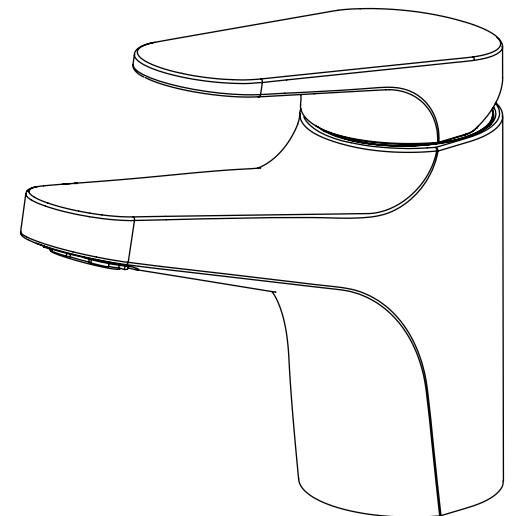
Operating Temperature:

Hot: Max 80°C.

Cold: Min 5°C.

Notes:

- After installation all connections must be checked for leaks.
- All installations must be carried out in compliance with relevant water regulations.



Methven warrants this product against manufacturing defects and that it is suitable for use under the operating conditions specified in this instruction sheet.

For your warranty please refer to www.methven.com or call Customer Service

New Zealand
0800 804 222

Australia
1300 638 483

UK
0800 195 1602



KAHA

METHVEN

IMPORTANT

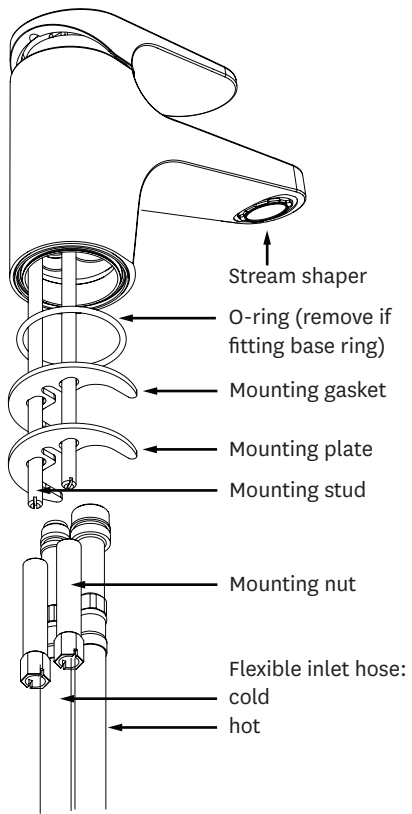
Please read all of the instructions before installation

This mixer is designed for all pressure systems above 0.35 bar.

This mixer is not recommended for use in uncontrolled heating systems such as wet-backs or solar heating units.

NOTE: Base ring use is optional and should be used when required to ensure a seal is achieved between the tap and basin. If fitting base ring please remove the o-ring from the base of the tap body.

All pipework must be thoroughly flushed prior to the installation of the mixer. In-line filters (not supplied) must be fitted on both hot and cold supplies to prevent foreign particles damaging the ceramic cartridge.



Equal Low Pressure Installations.

Remove stream shaper using cache key. **Remove flow restrictor** in spout and insert rubber washer before replacing stream shaper

