



INSTALLER'S GUIDE TO THE

# GREENSTAR 8000 LIFESTYLE





## STYLE AND SUBSTANCE

A new high-performance, design-led boiler, the Greenstar 8000 Lifestyle range has been developed following installer feedback and customer insight. The range offers your customers greater choice in every way, while you enjoy the many benefits of improved installation, simple commissioning and hassle-free servicing.

With two precision engineered boilers to choose from, the Life, available in combi, system and regular variants, is the direct replacement for the much loved CDi Classic. Whilst the Style, which is available in combi and system variants, offers a unique design and a pioneering full colour control panel with a touchscreen display. Designed to effortlessly blend heating performance with simplicity for both installers and users. Both Life and Style comes with a comprehensive guarantee up to 7 years\*.

The Greenstar 8000 Lifestyle has a completely new range of innovative accessories and shares the same connections and fixing points as the CDi Classic. Our next generation boiler represents a new benchmark in premium quality heating and hot water provision.

### KEY BENEFITS

- Design-led
- Greater choice and outputs
- Improved installation and servicing
- Full colour text boiler control
- Simple switch from CDi Classic with same fixing points and connections
- 7 year guarantee\*
- Compatible with our industry first Greenstar Intelligent Filling System

\*When installed with a Greenstar System Filter.  
Subject to terms and conditions.

## TECHNICAL SPECIFICATIONS

	Combi and Regular					System	
	3 0 k W	3 5 k W	4 0 k W	4 5 k W	5 0 k W	3 0 k W	3 5 k W
Maximum horizontal flue lengths (60/100)	17m	10m	11m	8m	9m	17m	10m
Maximum vertical flue lengths (60/100)	21m	14m	15m	12m	15m	21m	14m
Clearance above flue	170/210mm*	170/210mm*	170/210mm*	170/210mm*	170/210mm*	170/210mm*	170/210mm*
Clearance (sides)	5mm	5mm	5mm	5mm	5mm	5mm	5mm
Clearance (below)	200mm	200mm	200mm	200mm	200mm	200mm	200mm
Clearance (front)	600mm**	600mm**	600mm**	600mm**	600mm**	600mm**	600mm**
Width	440mm	440mm	440mm	440mm	440mm	440mm	440mm
Height	780mm	780mm	780mm	780mm	780mm	780mm	780mm
Depth	365mm	365mm	365mm	365mm	365mm	365mm	365mm
Combi flow rate at the hot water tap (35°C)	12.3 l/min <sup>^</sup>	14.3 l/min <sup>^</sup>	16.4 l/min <sup>^</sup>	18.3 l/min <sup>^</sup>	20.3 l/min <sup>^</sup>		
Combi flow rate at the hot water tap (40°C)	10.7 l/min <sup>#</sup>	12.5 l/min <sup>#</sup>	14.3 l/min <sup>#</sup>	16.1 l/min <sup>#</sup>	17.9 l/min <sup>#</sup>		
Output kW to central heating	3kW – 30kW	3.5kW – 35kW	3.5kW – 35kW	3.5kW – 35kW	3.5kW – 35kW		
ErP Space Heating Efficiency Class	A / 94%	A / 94%	A / 94%	A / 94%	A / 94%		
Combi ErP Water Heating Efficiency Class <sup>†</sup>	A	A	A	A	A		

\* Height for either 60/100 flue or 80/125 flue.

\*\* 20mm from a removable cupboard door. 600mm from a fixed surface for servicing. Same clearances for ventilated and unventilated compartments.

<sup>^</sup> Values for industry comparisons.

<sup>#</sup> Designed operational flow rate. Maximum flow is subject to a tolerance of 15%. Maximum flow rates will only be achieved if sufficient dynamic pressure between 2.3bar and 3.4 bar is available. Please refer to the installation manuals for more information, including minimum mains inlet pressure (working) for max. flow.

<sup>†</sup> Declared load profile XL.



## MEET LIFE

The Greenstar 8000 Life – available in white – keeps all of the tried, tested and much-loved CDi Classic features, and improves on everything else.

### THE BENEFITS

- More power – outputs up to 50kW for combi and regular
- Easier installation, servicing and maintenance
- Robust and simple to fit
- Reduced lift weight compared to the CDi Classic
- A new clean, modern design
- Full wireless connectivity with the Bosch EasyControl
- Available with our unique Greenstar Intelligent Filling System
- Same pipe connections, flue and fixing points for 'simple switch' with CDi Classic

### THE CONTROL DISPLAY

Life comes complete with an improved push-button LCD display, with diagnostic codes similar to that of the CDi Classic, making day-to-day operation easy and reliable.

# MEET STYLE

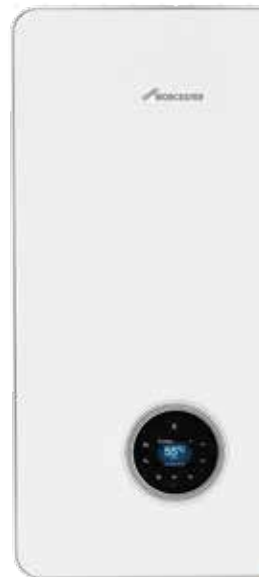
The Greenstar 8000 Style – for when only the very best is good enough. Our new top of the range boiler is available in both high gloss black and white, as well as featuring our most intuitive boiler control display to date.

## THE BENEFITS

- **All the benefits of Life, plus:**
- Stunning, design-led product aesthetics for contemporary homes
- A high quality blend of precision engineering and class-leading heating and hot water performance
- Full colour text display for simple diagnostics
- Innovative and intuitive boiler control display codes. For more information, see pages 12-13

## THE CONTROL DISPLAY

One of its most iconic features, the 8000 Style includes a full colour, touchscreen display. It features a detailed text display and an intuitive menu structure for rapid diagnosis, fault-finding and commissioning, with no need to search through manuals and fault codes.







# THE INSIDE STORY

## FRONT COVER



- Featuring a reinforced steel front cover
- The cover is available in high gloss, black and white
- Easy to remove with just one screw

## TOP AND SIDE PANELS



- No further screws needed for internal access thanks to removable top and side panels
- With the casing removed, the boiler can be lifted easily with two large handles
- Its open structure allows for easy access to the hydraulic block

## CONDENSATE TRAP AND FRONT ACCESS PRV



- Clearly labelled large condensate trap touch point
- The large capacity trap increases the volume of condensate discharge, significantly reducing or even eliminating the risk of freezing
- Drain down the boiler without connecting to an external drain-off hose
- Front access PRV can be removed in less than 10 minutes

## FLUE LENGTHS



- Maximum flue lengths up to 17m, when run horizontally, are among the best in the industry (60/100 for our 30kW variant)
- Silver flues also available to complement our black Greenstar 8000 Style



# THE LITTLE EXTRAS

## COMBUSTION CHAMBER COVER



- Combustion chamber provides a neat, premium look internally
- Reduces noise levels for quieter operation
- Easily removable with just one screw

## PRESSURE GAUGE AND SENSOR



- Digital gauge featured on the boiler control display
- Manual gauge also included behind the front case
- Pressure can be monitored during installation and maintenance even when the power is off
- High quality pressure sensor and pressure monitoring logic ensures no disruption

# COMPLETE CONTROL

## HYDRAULIC AND WIRING



- Control fascia can be quickly dropped for comfortable service access
- Wiring connections can be accessed without any screws
- Clearly laid out wiring connections similar to Greenstar i
- In-built screwdriver holder and screw tray for added convenience

## CONTROL KEYS



- Industry first 'RF Key' receiver links time and temperature controls to the boiler
- Enables you to fit our Greenstar Comfort+ II RF and Bosch EasyControl with ease





## 8000 STYLE BOILER DISPLAY

Simple full text and colour display makes navigating through the boiler's intuitive menu structure effortless.

The 8000 Style takes you through the necessary commissioning procedure easily, while providing you with all the information to complete the Benchmark Checklist quickly, meaning you can walk away knowing you have set the boiler to achieve maximum comfort and efficiency for your customer.

### THE BENEFITS

- Pioneering touchscreen display panel
- Intuitive menu structure
- Full text descriptions allows you and your customer to know the exact status of the boiler
- Simple diagnostics
- Easily view, set and change the time and temperature



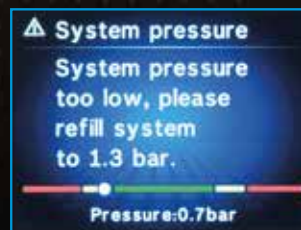
## THE MENU

Our clear menu structure makes navigating through the sub menus effortless, allowing you to find out any necessary information.



## BENCHMARK

Complete your Benchmark Commissioning Checklist easily thanks to our clearly laid out Benchmark menu structure.



## TEXT DESCRIPTION

Allows you and your customer to know the exact status of the boiler. The above system pressure message can be avoided with our Intelligent Filling System!





Bosch EasyControl, RF Key and Table Stand

## BOSCH EASYCONTROL

With the RF Key acting as a wireless receiver between the control and the boiler, the Bosch EasyControl is a smart internet-connected room thermostat that offers your customers a simple and stylish solution to managing their heating.

It can now be installed on the wall or placed on our new table stand, and it can be powered from a 3-pin plug or installed via a 2-core wire connection between the control and the boiler.

### THE BENEFITS

- Smart, internet connected programmable control
- Can be installed wirelessly with the Greenstar Lifestyle range
- DHW and CH can be programmed, monitored and controlled via the Bosch EasyControl app
- Decide heating times and temperatures for individual rooms with our smart Bosch TRVs\*
- Store your details directly into the app, so your customer can contact you when they need to

\*Installing smart TRVs will enable weather compensation mode.









Greenstar Comfort+ II and RF Key

## GREENSTAR COMFORT+ II RF

The Greenstar Comfort+ II RF programmer, part of the Comfort+ control family, comes with our first industry leading 'RF Key' which simply plugs into the boiler and is pre-paired with the programmer.

### THE BENEFITS

- Low pressure indication and notification via Comfort+ II control display
- Programme and control the heating and hot water
- Six adjustable heating and hot water time periods using our easy to use menu

# CONTROLS AND ACCESSORIES

## GREENSTAR INTELLIGENT FILLING SYSTEM

Our new, industry first, Greenstar Intelligent Filling System uses the latest innovative software to ensure the Greenstar 8000 Lifestyle range helps maintain optimum boiler pressure.

If the system pressure becomes low, this revolutionary software allows the internal filling valve to automatically fill the heating system. Once optimum pressure has been reached, this function will automatically stop and close the integrated filling valve.

The Greenstar Intelligent Filling System also prevents the boiler from over-filling and will alert your customer if the heating system is losing too much pressure. This reduces the need or unnecessary call outs.



## THE BENEFITS

- Carefree heating and hot water
- Automatically maintains system pressure
- Reduces the need for system pressure-related calls
- Will recognise a significant leak in the system and prevents the boiler from over-filling

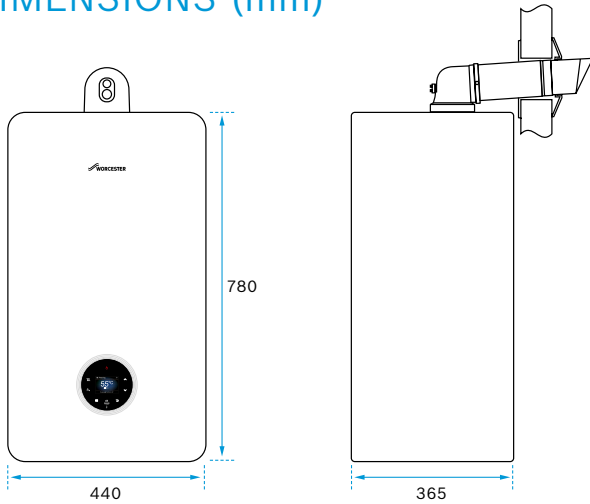


## SILVER FLUE

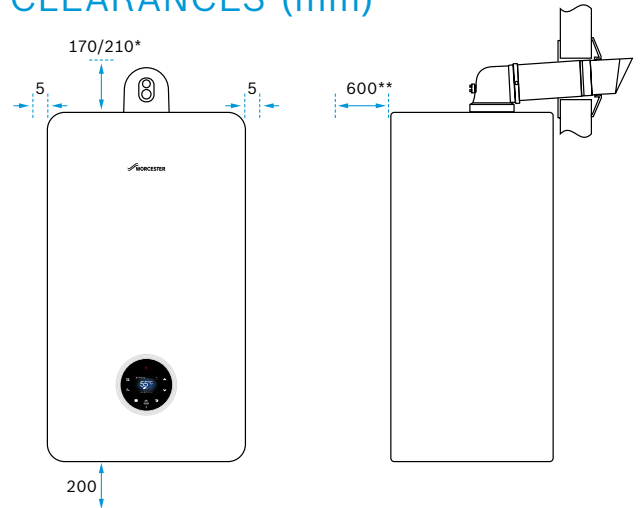
To complement our black Greenstar 8000 Style variant, complete the look and offer even more choice with our 100mm diameter silver flue options – another unique selling point.

# TECHNICAL DRAWINGS

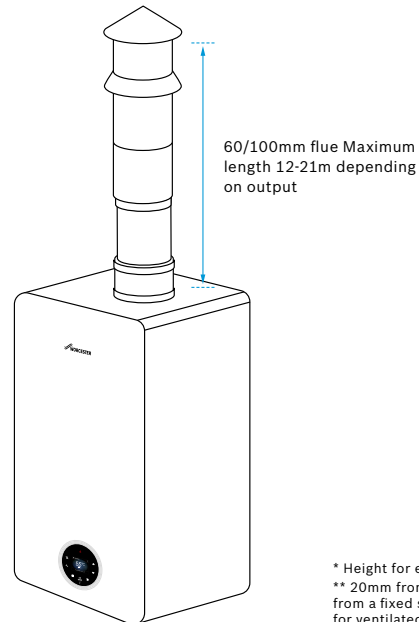
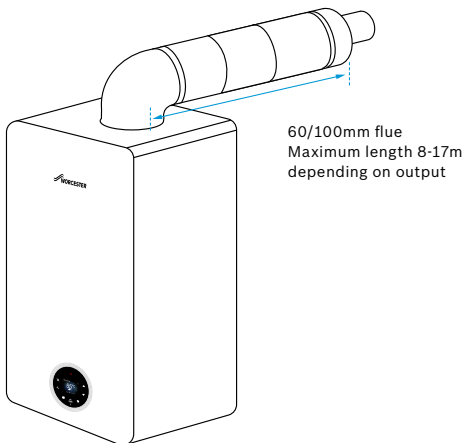
## DIMENSIONS (mm)



## CLEARANCES (mm)



## MAXIMUM FLUE LENGTHS (mm)



\* Height for either 60/100 flue or 80/125 flue  
\*\* 20mm from a removable cupboard door, 600mm from a fixed surface for servicing. Same clearances for ventilated and unventilated compartments.

# PART NUMBERS

## GREENSTAR 8000 STYLE

### Combi

Greenstar 8000 Style 30kW Combi (Black) NG	7738 100 832
Greenstar 8000 Style 35kW Combi (Black) NG	7738 100 833
Greenstar 8000 Style 40kW Combi (Black) NG	7738 100 834
Greenstar 8000 Style 45kW Combi (Black) NG	7738 100 835
Greenstar 8000 Style 50kW Combi (Black) NG	7738 100 836

Greenstar 8000 Style 30kW Combi (White) NG	7738 100 795
Greenstar 8000 Style 35kW Combi (White) NG	7738 100 796
Greenstar 8000 Style 40kW Combi (White) NG	7738 100 797
Greenstar 8000 Style 45kW Combi (White) NG	7738 100 798
Greenstar 8000 Style 50kW Combi (White) NG	7738 100 799

Greenstar 8000 Style 30kW Combi (Black) LPG	7738 100 844
Greenstar 8000 Style 35kW Combi (Black) LPG	7738 100 845
Greenstar 8000 Style 40kW Combi (Black) LPG	7738 100 846
Greenstar 8000 Style 45kW Combi (Black) LPG	7738 100 847
Greenstar 8000 Style 50kW Combi (Black) LPG	7738 100 848

Greenstar 8000 Style 30kW Combi (White) LPG	7738 100 839
Greenstar 8000 Style 35kW Combi (White) LPG	7738 100 840
Greenstar 8000 Style 40kW Combi (White) LPG	7738 100 841
Greenstar 8000 Style 45kW Combi (White) LPG	7738 100 842
Greenstar 8000 Style 50kW Combi (White) LPG	7738 100 843

### System

Greenstar 8000 Style 30kW System (Black) NG	7738 100 837
Greenstar 8000 Style 35kW System (Black) NG	7738 100 838

Greenstar 8000 Style 30kW System (White) NG	7738 100 805
Greenstar 8000 Style 35kW System (White) NG	7738 100 806

Greenstar 8000 Style 30kW System (Black) LPG	7738 100 856
Greenstar 8000 Style 35kW System (Black) LPG	7738 100 857

Greenstar 8000 Style 30kW System (White) LPG	7738 100 854
Greenstar 8000 Style 35kW System (White) LPG	7738 100 855

## GREENSTAR 8000 LIFE

### Combi

Greenstar 8000 Life 30kW Combi (White) NG	7738 100 800
Greenstar 8000 Life 35kW Combi (White) NG	7738 100 801
Greenstar 8000 Life 40kW Combi (White) NG	7738 100 802
Greenstar 8000 Life 45kW Combi (White) NG	7738 100 803
Greenstar 8000 Life 50kW Combi (White) NG	7738 100 804

Greenstar 8000 Life 30kW Combi (White) LPG	7738 100 849
Greenstar 8000 Life 35kW Combi (White) LPG	7738 100 850
Greenstar 8000 Life 40kW Combi (White) LPG	7738 100 851
Greenstar 8000 Life 45kW Combi (White) LPG	7738 100 852
Greenstar 8000 Life 50kW Combi (White) LPG	7738 100 853

### System

Greenstar 8000 Life 30kW System (White) NG	7738 100 807
Greenstar 8000 Life 35kW System (White) NG	7738 100 808

Greenstar 8000 Life 30kW System (White) LPG	7738 100 858
Greenstar 8000 Life 35kW System (White) LPG	7738 100 859

### Regular

Greenstar 8000 Life 30kW Regular (White) NG	7738 100 809
Greenstar 8000 Life 35kW Regular (White) NG	7738 100 810
Greenstar 8000 Life 40kW Regular (White) NG	7738 100 811
Greenstar 8000 Life 45kW Regular (White) NG	7738 100 812
Greenstar 8000 Life 50kW Regular (White) NG	7738 100 813

Greenstar 8000 Life 30kW Regular (White) LPG	7738 100 860
Greenstar 8000 Life 35kW Regular (White) LPG	7738 100 861

Greenstar 8000 Life 40kW Regular (White) LPG	7738 100 862
Greenstar 8000 Life 45kW Regular (White) LPG	7738 100 863

Greenstar 8000 Life 50kW Regular (White) LPG	7738 100 864
--	--------------



# FLUES AND ACCESSORIES

## WHITE FLUES

Standard telescopic flue & terminal (350 - 570mm)	7716 191 082
Extension flue kit (960mm)	7716 191 083
Short flue extension (220mm)	7716 191 113
90° flue bend	7716 191 084
45° flue bend	7716 191 085
Support bracket kit	7716 191 177

## VERTICAL FLUING OPTIONS

Vertical 1,090mm BF kit (inc. adaptor)	7719 002 430
--	--------------

## SILVER FLUES

Silver Standard telescopic flue & terminal (350 - 570mm)	7738 112 869
Silver Extension flue kit (960mm)	7738 112 871
Silver Short flue extension (220mm)	7738 112 873
Silver 90° flue bend	7738 112 874
Silver 45° flue bend x 1	7738 112 875
Silver Support Bracket Kit	7738 112 876

## ACCESSORIES

Greenstar Intelligent Filling System	7738 112 911
Greenstar System Filter (22mm)	7733 600 236
Greenstar System Filter (28mm)	7733 600 237
Greenstar Mini System Filter (22mm)	7733 600 266

## CONTROLS

Bosch EasyControl (White)	7736 701 341
Bosch EasyControl (Black)	7736 701 392
Bosch EasyControl RF Key	7738 112 351
Bosch EasyControl Table Stand	7736 701 576
Comfort+ Key	7738 112 321
Comfort+ Stat RF	7738 112 338
Comfort+ I RF	7738 112 323
Comfort+ II RF	7738 112 324

For a complete list of flues and accessories, please visit our website or see our 'Gas and Solar Product Guide'.





## SUPPORT

DEDICATED 8000 LIFESTYLE  
TECHNICAL SUPPORT  
(PRE & POST SALES)

**TEL:** 0330 123 0664

**EMAIL:** [technical-advice@uk.bosch.com](mailto:technical-advice@uk.bosch.com)

## TRAINING

**TEL:** 0330 123 0166

**EMAIL:** [training@uk.bosch.com](mailto:training@uk.bosch.com)

**VISIT:** [worcester-bosch.co.uk/training](http://worcester-bosch.co.uk/training)





## SPARE PARTS

**TEL:** 0330 123 9779

**VISIT:** [worcester-bosch.co.uk/spares](http://worcester-bosch.co.uk/spares)

# Share

We would love to see your Greenstar 8000 Lifestyle installations!

-  @WorcesterBosch
-  Worcester Bosch Professional
-  @WorcesterBoschProfessional
-  Worcester Bosch Group

## **Worcester Bosch**

Cotswold Way  
Warndon  
Worcester  
WR4 9SW

**worcester-bosch.co.uk**

Calls to and from Bosch Thermotechnology Ltd may be recorded for training and quality assurance purposes. Worcester Bosch is a brand name of Bosch Thermotechnology Ltd. This brochure is accurate at the date of printing, but may be superseded and should be disregarded if specification and/or appearances are changed in the interest of continued improvement. The statutory rights of the consumer are not affected.



Part No. 8 716 119 853  
Issue A 05/19



By Appointment to  
Her Majesty The Queen  
Boiler Manufacturer  
Worcester, Bosch Group  
T/A Bosch Thermotechnology Ltd.  
Worcester

