

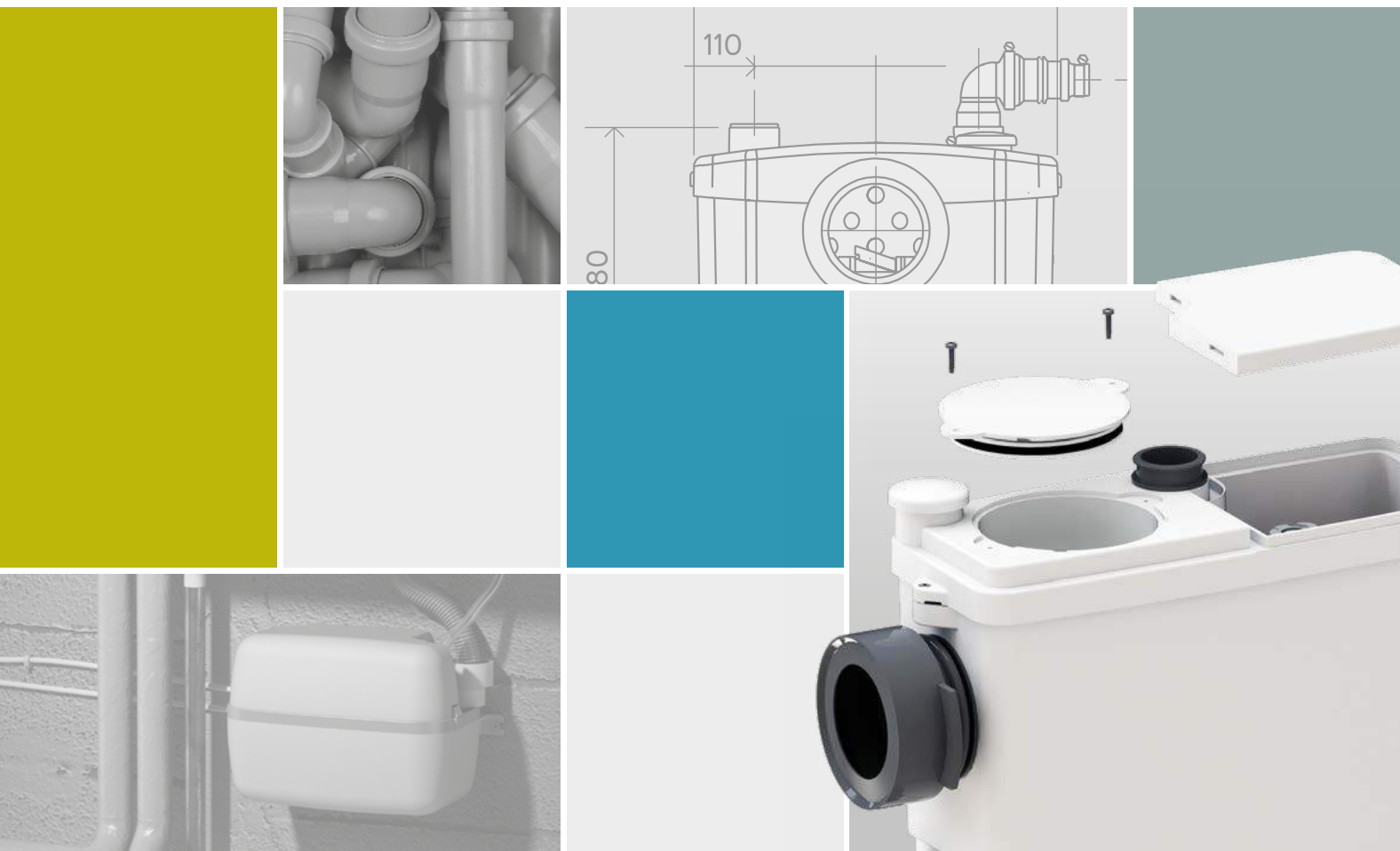
SANIFLO®

PLUMBING THE POSSIBILITIES



PUMPS & MACERATORS

2019



Saniflo – the facts

Saniflo macerator pumps and lifting stations reduce waste to liquid form and discharge through small-bore pipework to a soil stack or sewer.

This means real economies in labour and structural work by eliminating conventional four inch gravity discharge pipework. Saniflo units activate automatically when the cistern is flushed.

The units are quiet and economic to use and are simply connected to the domestic electrical supply, via an unswitched fused spur. The units are specifically designed for use in damp and steamy conditions and the powerful induction motors are sealed for life.

Thermal overload cut-outs are fitted to help protect them from abuse. Only the highest quality, non-corroding materials and components are used. Moving parts are minimised for maximum reliability and durability.

European standards apply to all our products in the domestic range: EN 12050-2 (Pumps) and EN 12050-3 (Domestic macerators).

All our products are designed and manufactured in France and rigorously tested in our factory. We have years of experience in the market, constantly refining and improving our technology and we are confident on their reliability.

As part of the SFA Group, Saniflo are committed to an integrated quality and environmental management system and our business and factory complies with ISO 9001 and ISO 14001.

Not sure which Saniflo unit to specify?

Lift the flap for a full ready-reference guide as to which of our units is best suited to your specific installation.



SANIFLO®

PLUMBING THE POSSIBILITIES

Saniflo Limited

Howard House, The Runway, South Ruislip
Middlesex HA4 6SE, United Kingdom

Tel 020 8842 0033 Fax 020 8842 1671 Web www.saniflo.co.uk

Our pumping systems are designed for the disposal of normal organic waste product, water or paper. They are not intended to replace kitchen waste or sanitary waste disposal units. As our policy is one of continuous improvement we reserve the right to alter product specification and price without notice. All information in this publication is given in good faith. No responsibility can be accepted for any errors, omissions or incorrect assumptions. Illustrations are diagrammatic and should be regarded only as indicative of technical requirements. All vertical pumping distances are measured from base of unit. BROCH-0007-11/2018.

PRODUCT SELECTOR

All of our units can be used in any of these situations:
Basement, Ground Floor, Upper Floor, Loft/Attic –
just choose the right product for your installation...

	WC	Wall-hung WCs	Wash Basin	Bath	Shower	Power shower	Bidet	Washing Machine	Dishwasher	Sink	Alarm ¹
SANIFLO UP Ref 6001	•										•
SANITOP UP Ref 6002	•		•								•
SANIPLUS UP Ref 6003	•		•		•	•	•				•
SANISLIM Ref 1054/1	•		•		•	•	•				•
SANIPACK PRO UP Ref 6052		•	•		•	•	•				
SANIPRO UP Ref 6006	•		•		•	•	•				•
SANICOMPACT² Ref 1081	•		•								
SANIWALL PRO UP Ref 6110		•	•		•	•	•				
SANIWALL PRO UP - TILED Ref 6111		•	•		•	•	•				
SANIVITE + Ref 6004			•	•				•	•	•	•
SANISHOWER + Ref 6043			•		•						
SANISHOWER FLAT Ref 1043/3			•		•						
SANIFLOOR + Ref 6154 / 6155 / 6156 / 6158					•	•					
SANIFLOOR +TRAY Ref TRAY4... EXT80X80 / EXT90X90 / EXT100X80 / EXT120X80 / EXT100X80PAD / EXT120X80PAD					•	•					
SANIAACCESS 1 Ref 1900	•										
SANIAACCESS 2 Ref 1901	•		•								
SANIAACCESS 3 Ref 1902	•		•		•		•				
SANIAACCESS PUMP Ref 1903			•	•	•		•	•	•	•	




¹ Sanialarm can be fitted to these units if required.

² Sanicompact can be installed in locations with a minimum water supply pressure of 1.7 bar.

	Condensing Boiler	Air Conditioning Units	Refrigeration Units
SANICONDENS BEST Ref 1082/2	•	•	•
SANICONDENS PRO Ref 1082/5	•	•	•
SANICONDENS ECO Ref 1133	•	•	•
SANINEUTRAL Ref 1082/4	•	•	•
SANICONDENS CLIM PACK Ref 1132		•	•
SANICONDENS CLIM MINI Ref 1131		•	•
SANICONDENS CLIM DECO Ref 1134		•	•
SANICONDENS DECO + Ref 1082/6		•	•

CONTENTS

Our product range has been divided into Domestic and Commercial categories to make it simple to find the product you're looking for, quickly and easily.

DOMESTIC			
	6001	SANIFLO UP	04
	6002	SANITOP UP	05
	6003	SANIPLUS UP	06
	1054/1	SANISLIM	07
	6052	SANIPACK PRO UP	08
	6006	SANIPRO UP	09
	1081	SANICOMPACT	10
	6110	SANIWALL PRO UP	11
	6111	SANIWALL PRO UP - TILED	12
	6004	SANIVITE +	13
	6043	SANISHOWER +	14
	1043/3	SANISHOWER FLAT	15
	6154 / 6155 / 6156 / 6158	SANIFLOOR +	16
	TRAY4... EXT80X80 / EXT90X90 / EXT100X80 / EXT120X80 / EXT100X80PAD / EXT120X80PAD	SANIFLOOR + TRAY	17
	1900 / 1901 / 1902	SANIAACCESS 1, 2 & 3	18-19
	1903	SANIAACCESS PUMP	20
SANICONDENS			
	1082/2	SANICONDENS BEST	21
	1082/5	SANICONDENS PRO	22
	1133	SANICONDENS ECO	23
	1082/4	SANINEUTRAL	22-23
	1132	SANICONDENS CLIM PACK	24
	1131/1134	SANICONDENS CLIM MINI & CLIM DECO	25
	1082/6	SANICONDENS DECO +	26
ACCESSORIES			
	1095	SANIALARM	27
	1085	SANIFLO CLEANSER/DESCALER	27

Saniflo works where convention doesn't.

Because Saniflo products are perfect for unconventional situations where drainage is a problem, you'll be able to say 'yes' to your customers more often. More jobs each month and more revenue for your business.

A bath in the basement, a loo in the loft or a shower under the stairs! Wherever you need access to conventional drainage but there's none close by, Saniflo probably has a product to help you find a solution.

Having brought the macerator concept to the UK almost 40 years ago, we now have a huge range of over 30 products including macerator pumps, lifting stations and integrated sanitaryware; all designed to work with small bore pipework that's easy to install and run to the nearest soil pipe. You'll find they're now very quiet and unobtrusive in operation and with many slim-line models available; easy to hide away.

All our products are designed and manufactured in France and rigorously tested in our factory. We have a wealth of experience in the market – 60 years of continuous development and testing goes into each device – constantly refining and improving our products and we're so confident in their reliability they're **guaranteed for 2 years with an additional 3 years for our new products.** For more information on our guarantee policy please see opposite.

Saniflo UK also has a national network of over **100 service engineers** available to your customers supporting the product day in day out, meaning worry free installation for plumbers and end users.

All you need to do is think of the possibilities.

Our guarantee

Saniflo units are fully guaranteed for up to five years and backed by a nationwide service network of skilled and experienced engineers, see page 27.

Technical Advice / Spares: 020 8842 0033

Service Engineer Linkline: 0345 765 0011

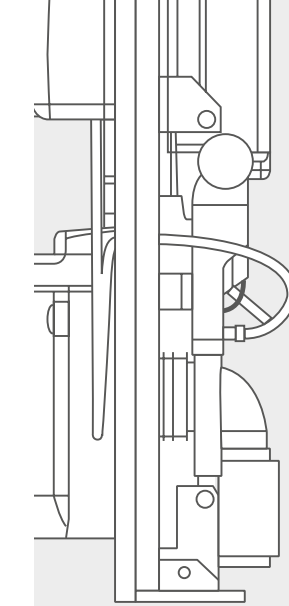
Please phone from a landline from the unit location in order to be connected to your local service engineer.

Visit our official website <http://repairs.saniflo.co.uk> for a full listing of service engineers by geographical area.



5 year extended warranty

See page 27 for details



DOMESTIC

THE (R)EVOLUTION CONTINUES

SANIFLO: PLUMBING THE POSSIBILITIES SINCE 1958

- Market leader for macerators
- Sleeker designs and now even quieter
- More efficient motors (only 400W)
- Easier accessibility for simple maintenance
- 5 years Extended Warranty

OUR LATEST RANGE OF DOMESTIC MACERATORS AND PUMPS HAS EVOLVED FOR A BETTER EXPERIENCE...



SANIFLO® UP
See page 04

SANIPLUS® UP
See page 06



SANITOP® UP
See page 05

SANIPRO® UP
See page 09

For conventional WC installations

Easy to maintain

- Easy access lid gives improved accessibility to the tank to remove any objects
 - without disassembling the macerator
 - without emptying the tank

Quieter products

- Stronger shock absorbers: reducing vibration and noise
- The quietest macerator range on the market – 46 dB(A)

Replace an existing Saniflo macerator

- Positioning, inlet and discharge pipework remain the same
- Replaces an existing product without changing the current installation pipework

Sleeker models

- Sleeker designs that fit even more discretely behind a WC

For back-to-wall or wall hung WC installations

Double access to the product

- Direct access to the tank in case of blockages
- Direct access to the electrical connections to change any used parts.

Quieter products

- The quietest macerator range on the market – 48 dB(A) for Sanipack Pro Up and Saniwall Pro Up.

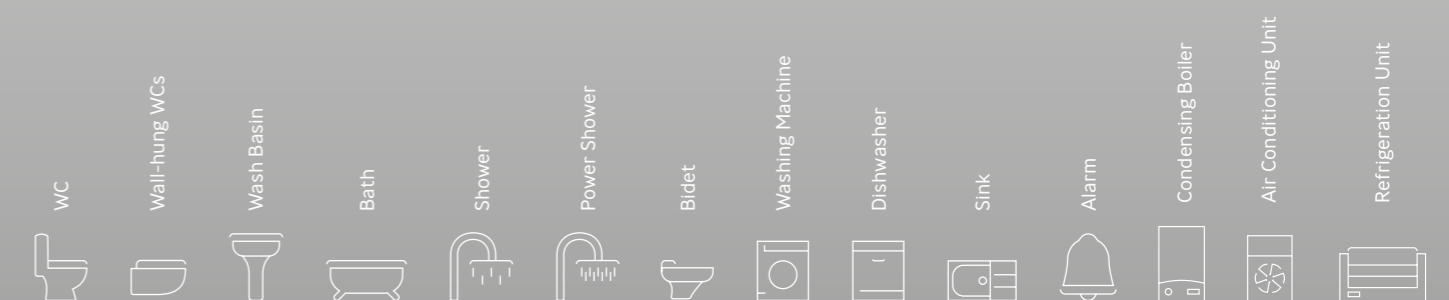
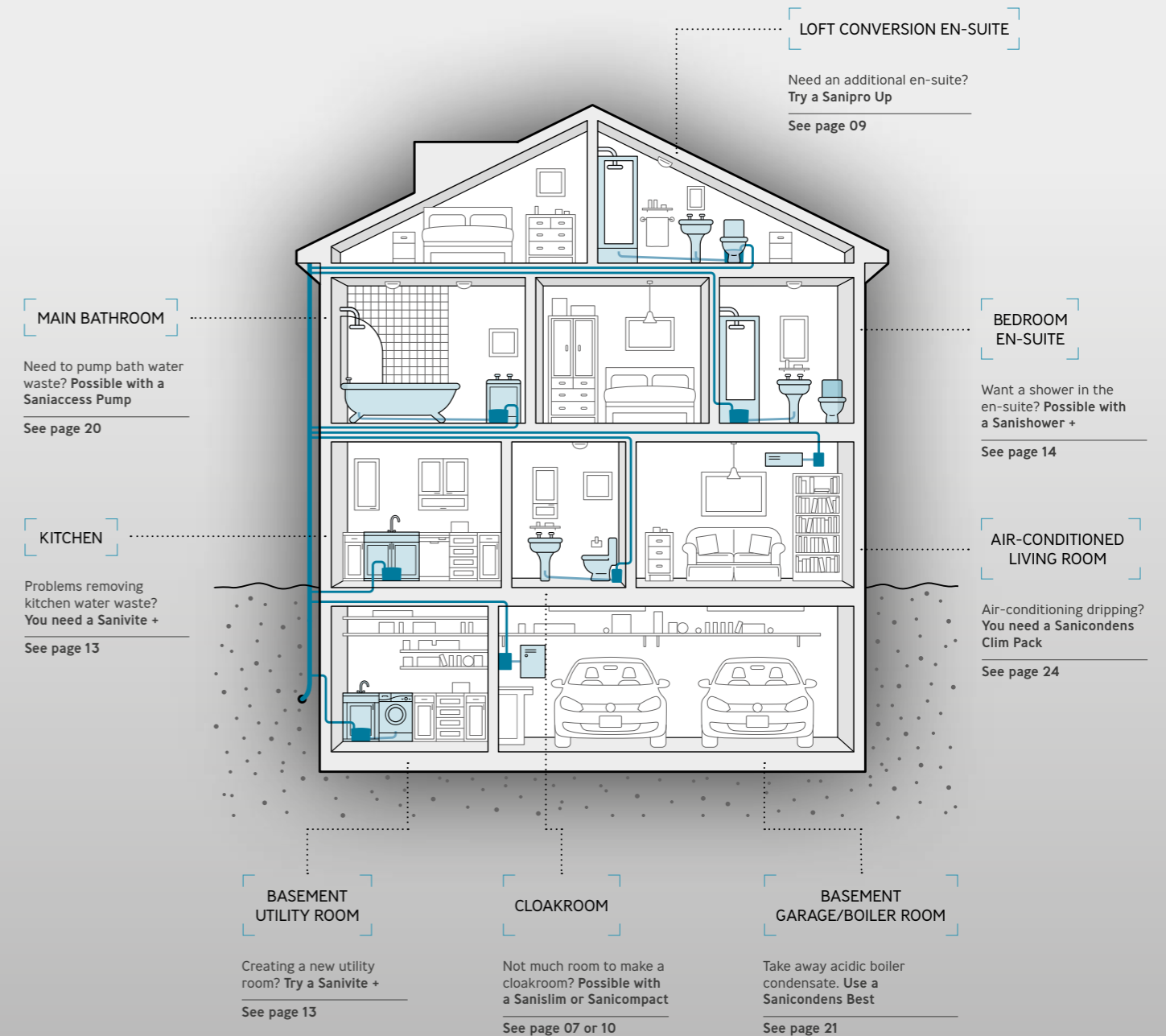


SANIPACK® Pro UP
See page 08

SANIWALL® Pro UP
See page 11-12

Conventional plumbing uses gravity to allow drainage to conveniently sited pipework and sewers. **But what if gravity isn't on your side?** What if drainage pipework is **inconveniently positioned**, perhaps when working in a loft or a basement?

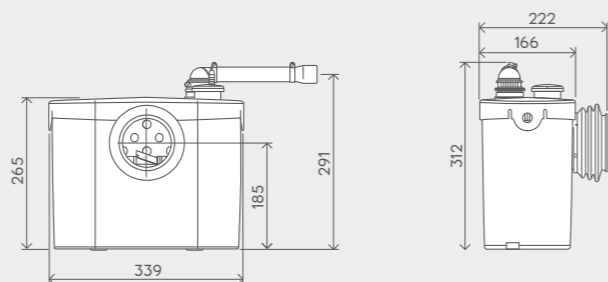
Saniflo works **where convention doesn't**. The domestic range consists of 18 solutions for bathrooms and kitchens.



Products suitable for a whole variety of applications. (Just refer to each of the product keys on the relevant pages).

Product Ref: 6001

The original macerator pump unit that allows installation of an extra WC almost anywhere when a conventional solution isn't possible.



Discharge Pipework
22 / 28 / 32mm

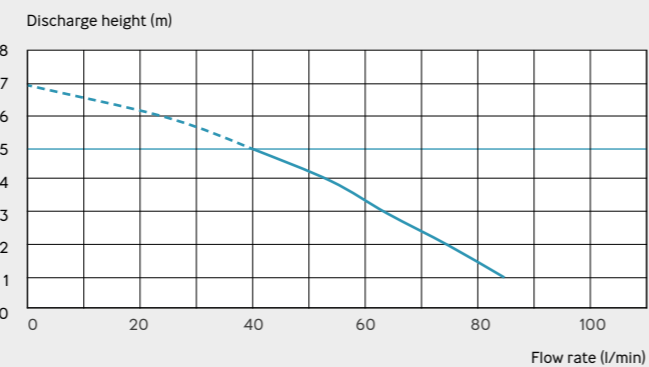
Motor Power
400 Watts

Voltages
220-240 V/50 Hz

Working Waste Water Temp
35°C

Product Weight
5.4kg

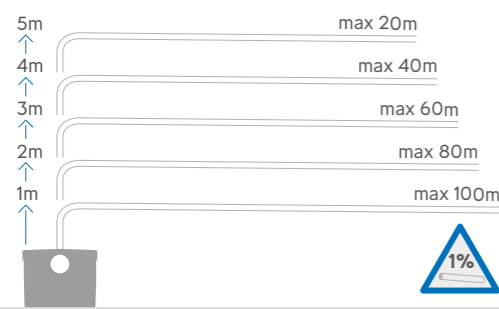
IP Rating
IP44



Why choose this product?

- Ideal for one WC
- Unobtrusive with a quiet motor
- Easy access for servicing and maintenance
- No need to change the pipework - replaces existing Saniflo products
- Improved design of casing

Vertical/horizontal performance



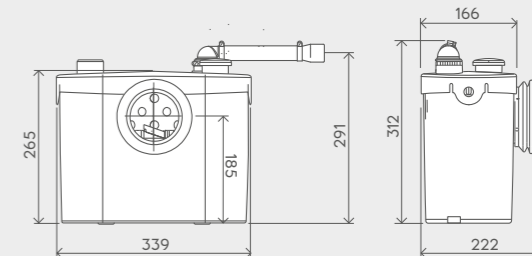
5 YEAR WARRANTY
Up to 5 years warranty
See page 27

200mm depth required behind the WC



Product Ref: 6002

Similar to the original Saniflo Up but allows connection of a WC and a wash basin to one macerator pump. A great choice for a small cloakroom.



Discharge Pipework
22 / 28 / 32mm

Motor Power
400 Watts

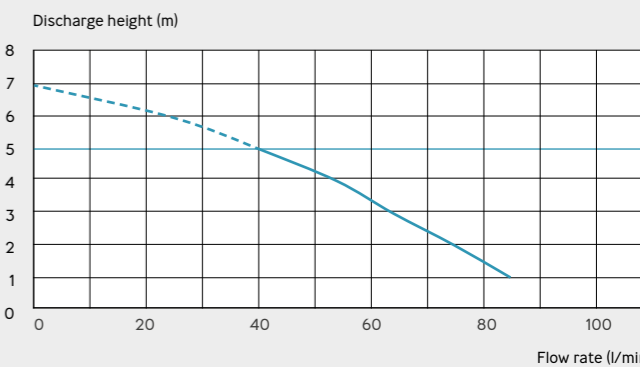
Voltages
220-240 V/50 Hz

Working Waste Water Temp
35°C

Product Weight
5.4kg

Inlet Pipework
40mm

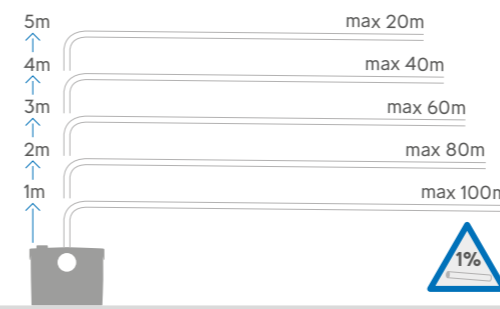
IP Rating
IP44



Why choose this product?

- Unobtrusive with a quiet motor
- One top waste inlet
- Easy access for servicing and maintenance
- No need to change the pipework - replaces existing Saniflo products
- Improved design of casing

Vertical/horizontal performance



5 YEAR WARRANTY
Up to 5 years warranty
See page 27

200mm depth required behind the WC





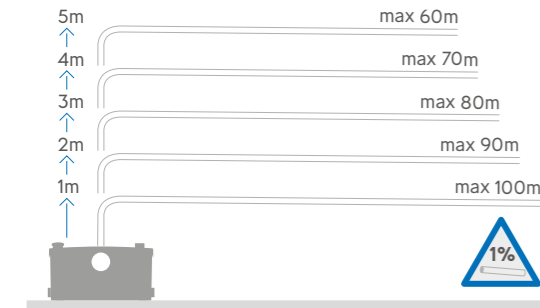
Product Ref: 6003

The Saniplus Up enables you to install an additional bathroom with ease. With two inlets and a greater tank capacity, the Saniplus Up can easily deal with a WC, wash basin, bidet and even the highest output power showers.

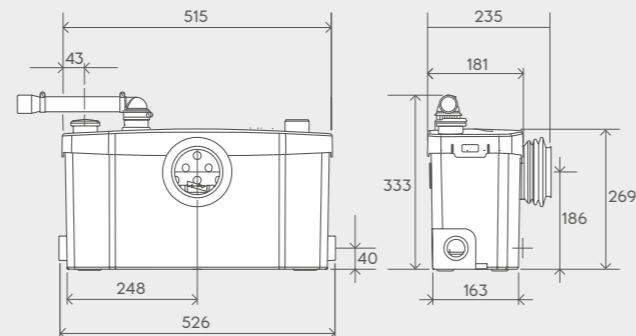
Why choose this product?

- One unit deals with the waste from an additional bathroom
- Works with high output power showers
- Two side inlets and a greater tank capacity
- Easy access for servicing and maintenance
- No need to change the pipework - replaces existing Saniflo products
- Improved design of casing

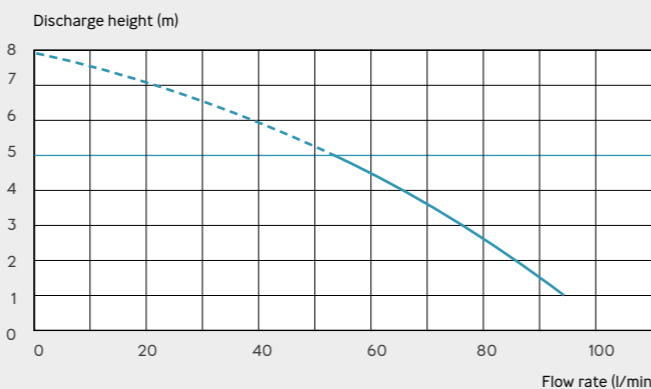
Vertical/horizontal performance



210mm depth required behind the WC



Discharge Pipework 22 / 28 / 32mm	Product Weight 6.4kg
Motor Power 400 Watts	Inlet Pipework 40mm
Voltages 220-240 V/50 Hz	IP Rating IP44
Working Waste Water Temp 35°C	



Product Ref: 1054/1

When you need slimline sanitaryware you need a macerator pump to match. Sanislim needs just 145mm depth behind the WC and, with an inlet either side, it can take waste from a WC, a shower, wash basin and bidet if required.

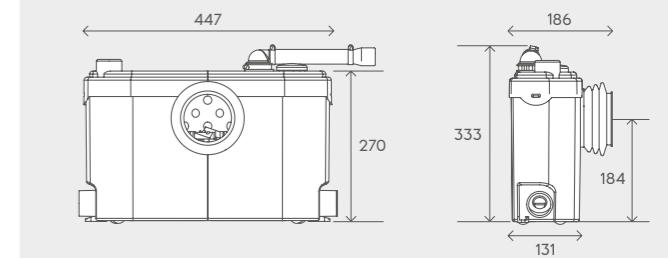
Why choose this product?

- Designed to fit behind the latest slimline styles of WC
- Deals with all waste from a small bathroom
- Inlets either side of unit

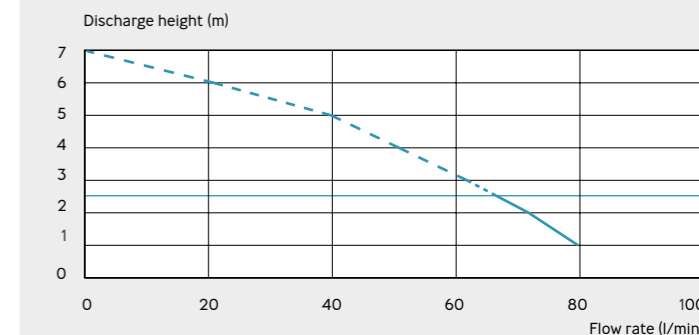
Vertical/horizontal performance



Only 145mm depth required behind the WC. Clearance of 320mm is required from floor level to the underside of a close coupled suite to accommodate the discharge elbow.



Discharge Pipework 22 mm	Product Weight 5.8kg
Motor Power 400 Watts	Inlet Pipework 40mm
Voltages 220-240 V/50 Hz	IP Rating IP44
Working waste Water Temp 35°C	



SANIPACK® Pro UP

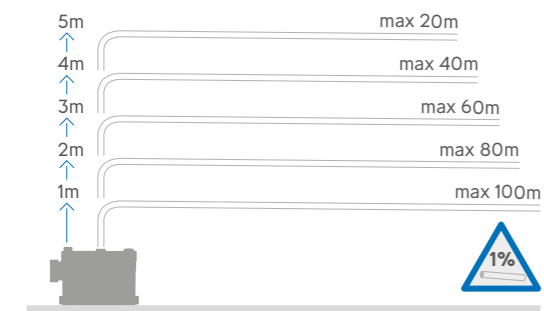
Product Ref: 6052

Designed to be concealed from view, where back-to-wall or wall-hung sanitaryware is required, the extra slim Sanipack Pro Up can take waste from a WC, wash basin and shower. An ideal choice for a modern, sleek finish.

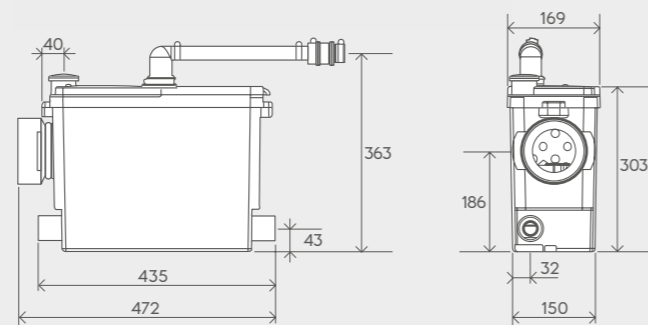
Why choose this product?

- Perfect solution for a complete shower room installation
- Ideally suited for fitted bathroom units
- Capacity to connect WC, wash basin, bidet and shower
- Easier access to both the tank and electrical connections.
- Quiet motor
- Extra slim dimensions

Vertical/horizontal performance



5 YEAR WARRANTY
Up to 5 years warranty
See page 27



Discharge Pipework
22 / 28 / 32mm

Motor Power
400 Watts

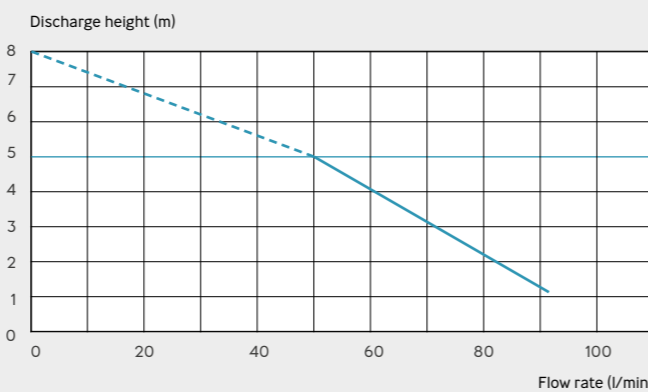
Voltages
220-240 V/50 Hz

Working Waste Water Temp
35°C

Product Weight
7kg

Inlet Pipework
40mm

IP Rating
IP44



SANIPRO® UP

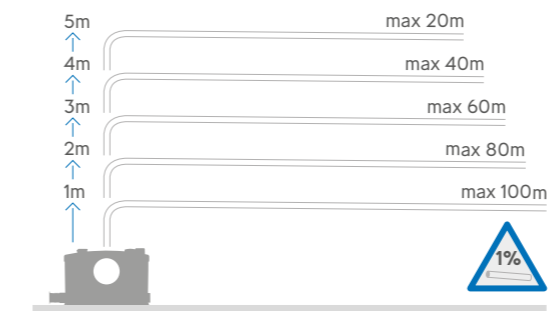
Product Ref: 6006

The Sanipro Up is ideal for adding an en-suite. With two inlets the Sanipro Up can easily deal with a WC, wash basin, bidet and a power shower.

Why choose this product?

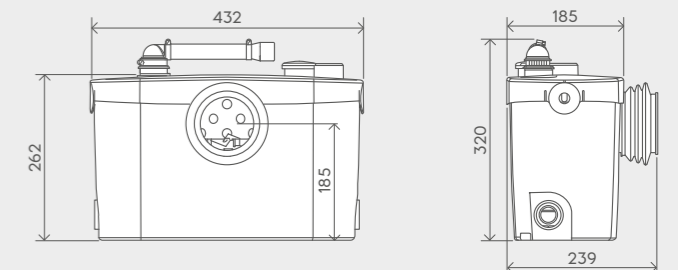
- Compact, neat and unobtrusive
- Capacity for an en-suite installation
- Inlets either side of unit
- Easy access for servicing and maintenance
- No need to change the pipework - replaces existing Saniflo products
- Improved design of casing

Vertical/horizontal performance



5 YEAR WARRANTY
Up to 5 years warranty
See page 27

210mm depth required behind the WC



Discharge Pipework
22 / 28 / 32mm

Motor Power
400 Watts

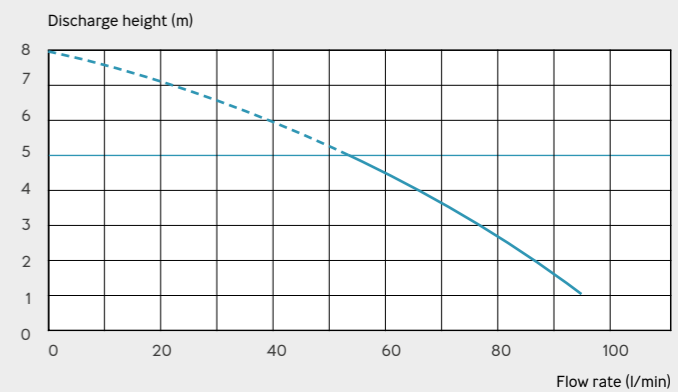
Voltages
220-240 V/50 Hz

Working Waste Water Temp
35°C

Product Weight
6.4kg

Inlet Pipework
40mm

IP Rating
IP44



A super-compact WC unit with a built-in macerator that's perfect for small cloakrooms. It even features a wash basin inlet and needs no cistern to make the most of the smallest spaces.



Why choose this product?

- A WC with built-in macerator
- Automatic push-button flush connected directly to the domestic water supply
- Needs no cistern
- Features a soft-close toilet seat
- Water saving flush system

Vertical/horizontal performance



Requires a minimum dynamic pressure of 1.7 bar water supply pressure. Hand basin must be installed to the right.



With a built-in frame system designed to accommodate all types of wall-hung WC (not supplied), Saniwall Pro Up has a dual flush and an integral macerator pump. In addition to taking the waste from a WC there are two side inlets enabling a wash basin, shower and bidet to drain to the macerator.



Why choose this product?

- Designed with Grohe cistern technology
- Concealed unit ideal for use with built-in bathroom furniture
- Ideal for wall-hung WCs
- Built-in frame system with an elegant glass wall covering
- Integrated dual flush cistern
- Adjustable feet allow variable heights of pan
- Two side inlets
- Flush plate included
- Easier access to both the tank and electrical connections.
- Quiet motor

Vertical/horizontal performance



Saniwall Pro Up has been awarded AFISB (French Association of Bathroom Industries) WELLBEING certification, to recognise its contribution to helping people with reduced mobility.

Mounting centres for WC pan are 180-230mm



GROHE

5 YEAR WARRANTY

Up to 5 years warranty
See page 27

Discharge Pipework
22 / 28 / 32 mm

Motor Power
400 Watts

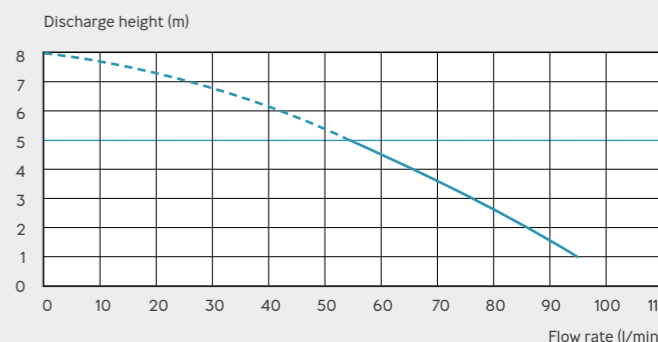
Voltages
220-240 V/50 Hz

Working Waste Water Temp
35°C

Product Weight
36kg

Inlet Pipework
40mm

IP Rating
IP44



SANIWALL® Pro UP Tiled

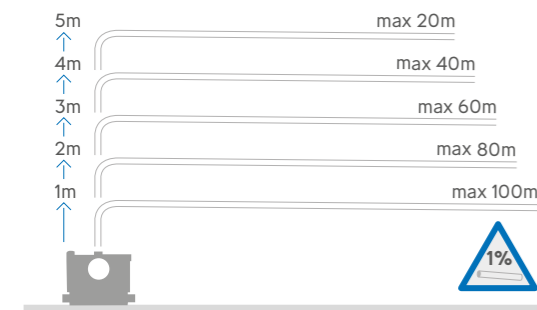
Product Ref: 6111

The Saniwall Pro Up (tiled) is a built-in frame designed to accommodate all types of wall-hung WC (not supplied) it has a dual flush and integral macerator pump. It can take waste from a WC, wash basin, shower and bidet.

Why choose this product?

- Designed with Grohe cistern technology
- Concealed unit with tiled finish to match any bathroom design
- Ideal for wall-hung WC (not supplied)
- Built-in frame system
- Dual flush cistern
- Adjustable feet allow variable heights of pan
- Two side inlets
- Flush plate included
- Easy access to both tank and electrical connections
- Quiet motor

Vertical/horizontal performance



A SALLE DE BAINS ACCESSIBLE AFISB Saniwall Pro Up has been awarded AFISB (French Association of Bathroom Industries) WELLBEING certification, to recognise its contribution to helping people with reduced mobility.

Mounting centres for WC pan are 180-230mm



NEW

SANIVITE® +

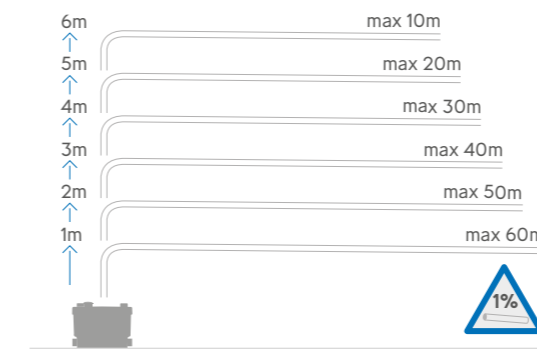
Product Ref: 6004

Ideally suited to a kitchen or utility room, Sanivite +’s powerful pump has four inlets for connection to domestic sinks or appliances. With compact dimensions, Sanivite + can be concealed in a kitchen unit or behind a demountable panel to give access for servicing.

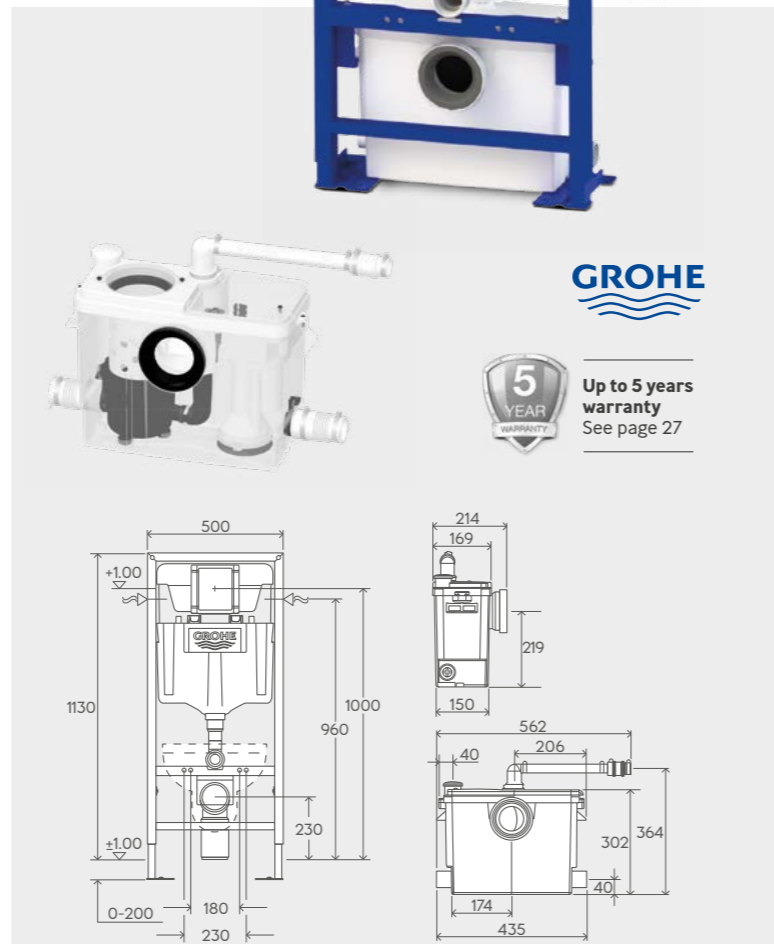
Why choose this product?

- Ideal for hot, soapy water
- Four inlets
- Powerful, quiet pump
- Low activation level (95mm)
- Compact for concealed installation

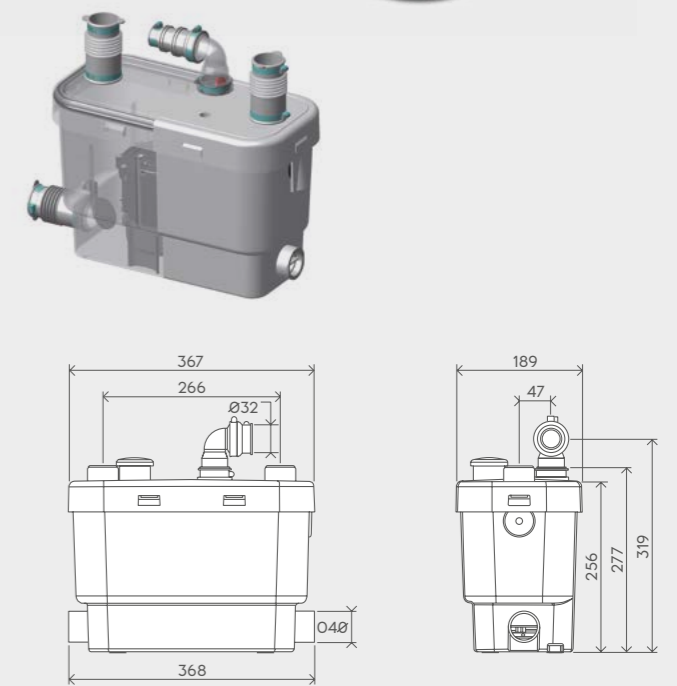
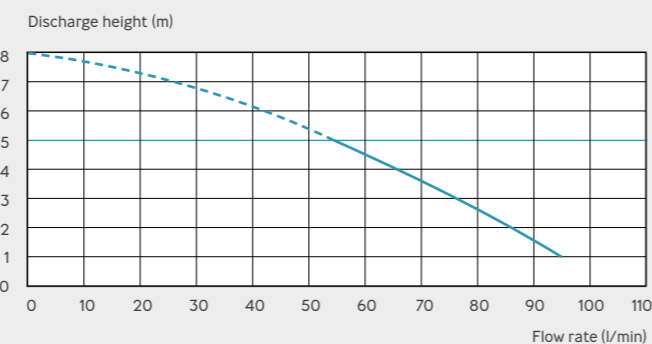
Vertical/horizontal performance



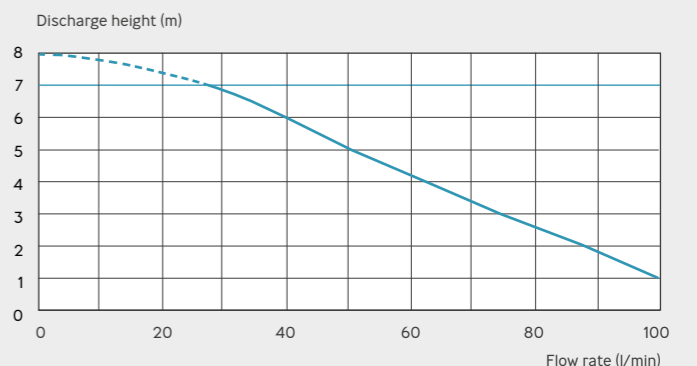
5 YEAR WARRANTY Up to 5 years warranty See page 27



Discharge Pipework 22 / 28 / 32 mm	Product Weight 26kg
Motor Power 400 Watts	Inlet Pipework 40mm
Voltages 220-240 V/50 Hz	IP Rating IP44
Working Waste Water Temp 35°C	



Discharge Pipework 32 mm	Product Weight 6.4kg
Motor Power 400 Watts	Inlet Pipework 40mm
Voltages 220-240 V/50 Hz	IP Rating IP44
Working Waste Water Temp 35°C max 60°C	



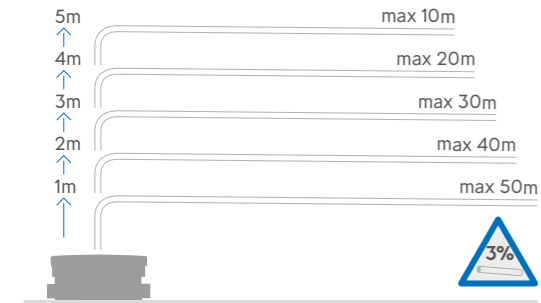
Product Ref: 6043

The Sanishower + can be installed next to a shower tray with access for maintenance. Capable of pumping a standard electric or gravity mixer shower. Two inlets mean a wash basin can be added too.

Why choose this product?

- Overcomes gravity drainage issues
- Allows basement showers
- Can be fitted next to shower tray
- Additional inlet for basin
- Includes integrated carbon filter
- Low activation level (65mm)

Vertical/horizontal performance



Up to 5 years warranty
See page 27



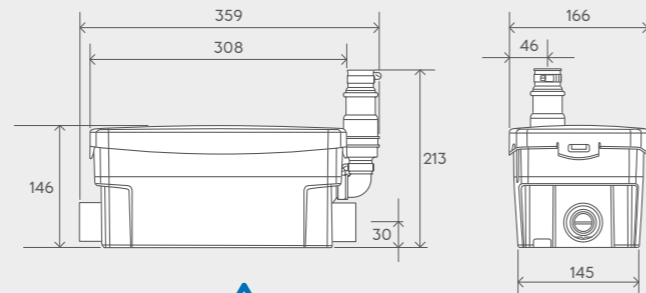
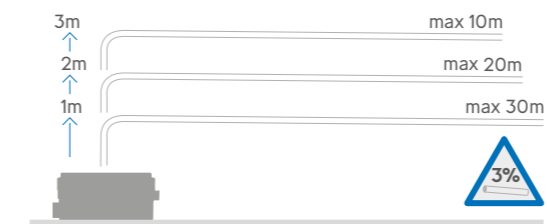
Product Ref: 1043/3

Ideal pumping solution for a low level shower tray. Capable of pumping a standard electric or gravity mixer shower. Two inlets mean a wash basin can be added too.

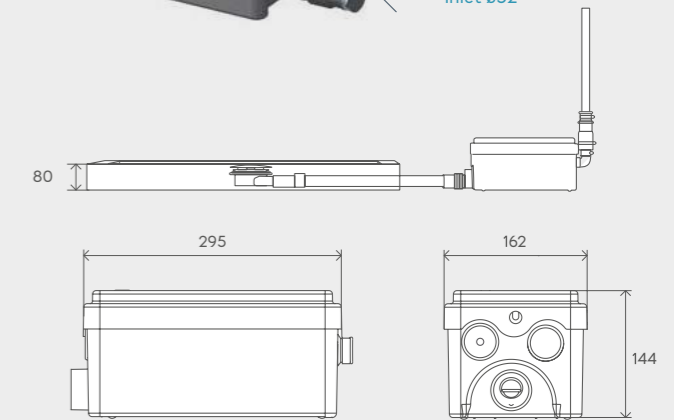
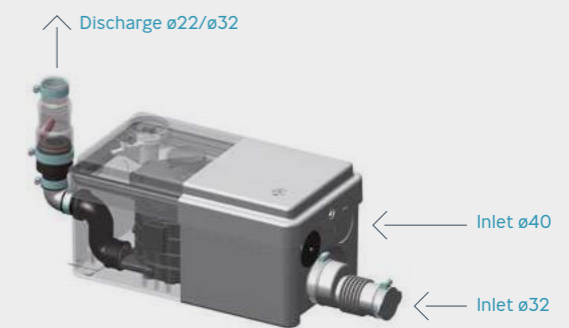
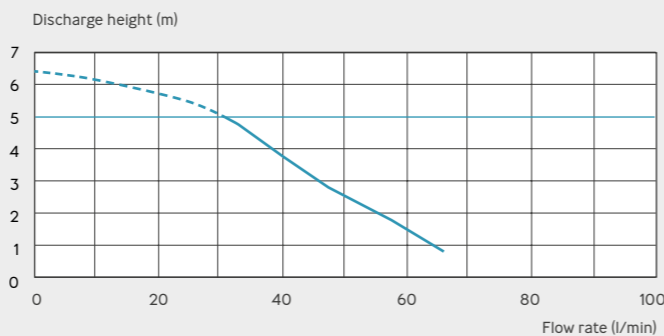
Why choose this product?

- Suits low level shower trays of 80mm and over
- Overcomes gravity drainage issues
- Allows basement showers
- Additional inlet for basin
- Two part kit with Sanishower flat pump plus gully and waste
- Low level activation

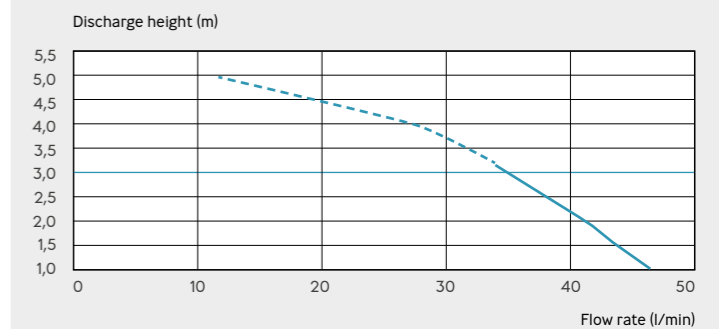
Vertical/horizontal performance



Discharge Pipework 22 / 32mm	Product Weight 3.5kg
Motor Power 250 Watts	Inlet Pipework 40mm
Voltages 220-240 V/50 Hz	IP Rating IP44
Working Waste Water Temp 35°C	Activation Level 65mm



Discharge Pipework 22 / 32mm	Working Waste Water Temp 35°C
Motor Power 250 Watts	Product Weight 3.7kg
Voltages 220-240 V/50 Hz	IP Rating IP44



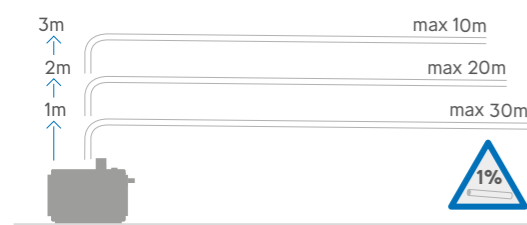
Designed specifically where floor drainage is required but where space underneath is limited – e.g. a wet room. This two-part kit with a powerful shower waste pump and choice of four waste designs is now wireless, making installation even easier. The water activates the pump thanks to the detection system integrated into the drain. The water is then sucked from the gully and pumped away.



Why choose this product?

- Suits wet rooms and low level shower trays
- Ideal for high flow applications
- Pump and waste inlet can be up to 3m apart horizontally
- Dual function - sucks waste up from the gully and pumps waste water away up to 3m vertically or 30m horizontally
- Pump can be sited up to 300mm above the gully
- All gully types are 90mm in diameter
- New wireless version for easy installation

Vertical/horizontal performance



NEW

Sanifloor + Tray is the complete solution for easily installing a shower tray. Consisting of a low level shower tray, pump and waste, the tray can be placed directly on the ground with wireless communication so it's easy to install. There are six versions to suit most requirements.

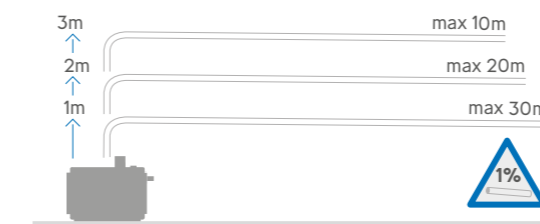


NEW

Why choose this product?

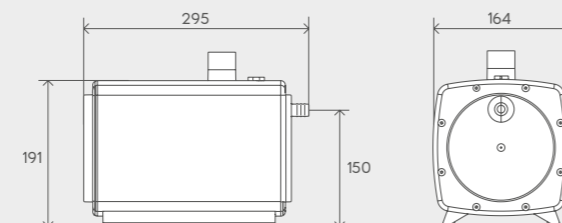
- Complete solution pump + drain + tray to install a shower without heavy work
- Tray sits directly on the floor
- Low shower tray height: 55mm
- Easy maintenance
- Easy installation

Vertical/horizontal performance



Gully Types

- 1 6154: Sanifloor+ 1**
With shower waste for tiled floor – height 68mm
- 2 6155: Sanifloor+ 2**
With shower waste for vinyl floor – height 68mm
- 3 6156: Sanifloor+ 3**
With shower waste for trays – height 63mm
- 4 6158: Sanifloor+ 4**
With shower waste for Wedi former for tiling – height 60mm



Discharge Pipework
32 mm

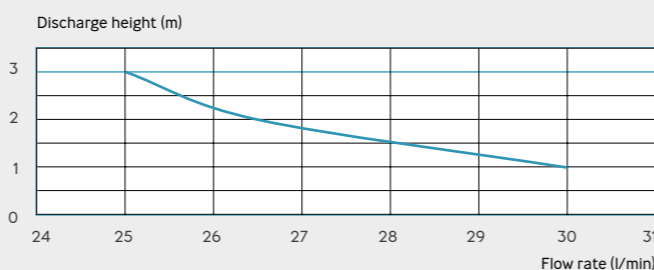
Motor Power
400 Watts

Voltages
220-240 V/50 Hz

Working Waste Water Temp
35°C

Product Weight
Sanifloor+ 1 – 7.9kg
Sanifloor+ 2 – 7.9kg
Sanifloor+ 3 – 7.7kg
Sanifloor+ 4 – 7.8kg

IP Rating
IP44



Discharge Pipework
32 mm

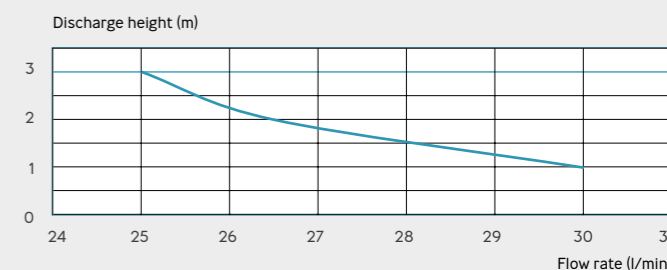
Motor Power
400 Watts

Voltages
220-240 V/50 Hz

Working Waste Water Temp
35°C

Product Weight
25-27kg (see details above)

IP Rating
IP44



SANI ACCESS® 1 2 3

Products Ref: 1900/1901/1902

Designed to provide easy access for en-suite bathroom applications, convenient covers allow you to service and maintain the macerator without having to remove it.

Suitable for new installations.



SANI ACCESS® 1



SANI ACCESS® 2



SANI ACCESS® 3

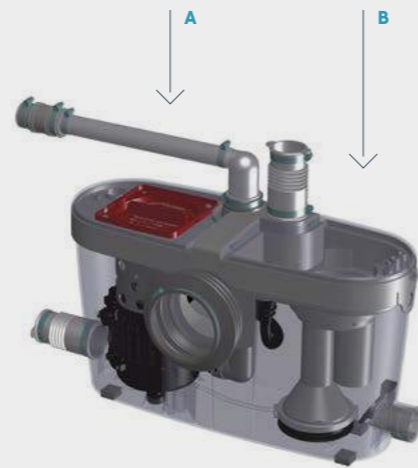
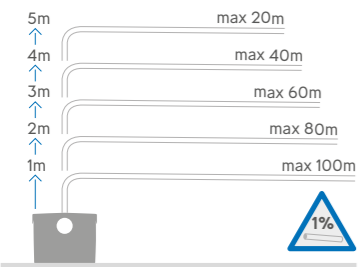


Why choose this product?

- Easy service access
- Suitable for one WC only
- Easy maintenance without removal of unit
- Suitable for new installations
- Quiet technology

Saniaccess is primarily intended for new installations as the inlet and outlet positions vary from other Saniflo models.

Vertical/horizontal performance



Double access:

- A** Direct access to the basket in case of blockage due to misuse
- B** Direct access to electric components

Discharge Pipework
22 / 28 / 32 mm

Motor Power
400 Watts

Voltages
220-240 V/50 Hz

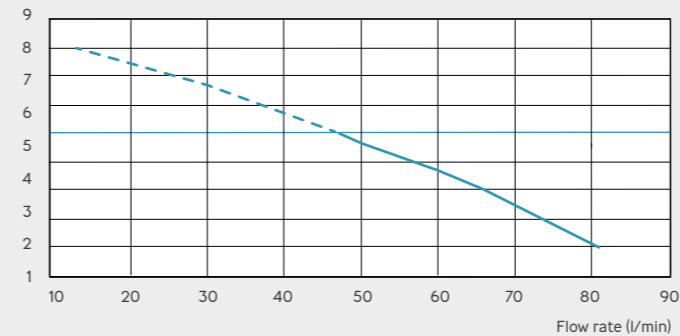
Working Waste Water Temp
35°C

Product Weight
Saniaccess 1 and 2 - 5.8kg
Saniaccess 3 - 6.4kg

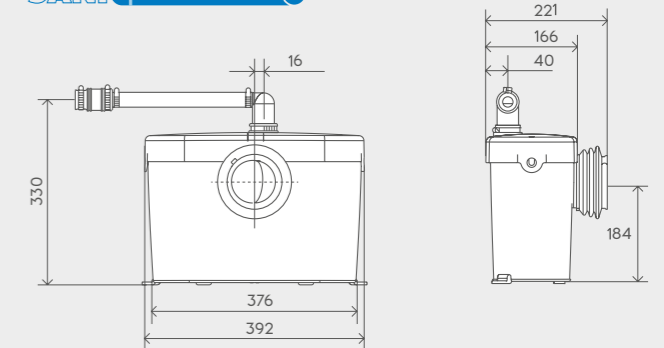
Inlet Pipework
40mm

IP Rating
IP44

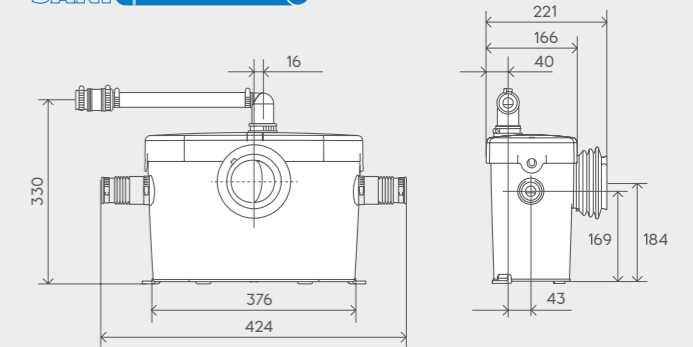
Discharge height (m)



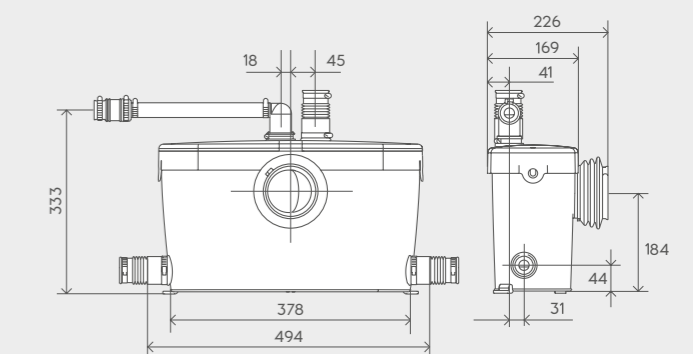
SANI ACCESS® 1



SANI ACCESS® 2



SANI ACCESS® 3





Product Ref: 1903

Designed to provide easy access for grey water pumping applications such as kitchens and utility rooms. Convenient covers allow simple service and maintenance of the pump without having to remove it.

Suitable for new installations.

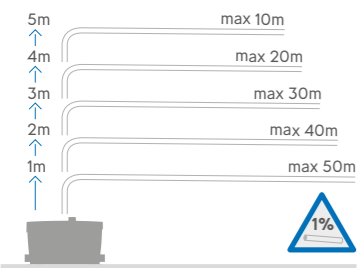


Why choose this product?

- Easy service access
- Suitable for grey water
- Easy maintenance without removal of unit
- Suitable for new installations
- Quiet technology
- Two side inlets and optional top inlet

Saniaccess Pump is primarily intended for new installations as the inlet and outlet positions vary from other Saniflo models.

Vertical/horizontal performance



Product Ref: 1082/2

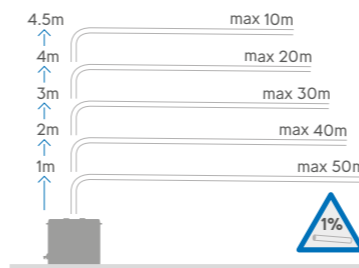
The Sanicondens® Best is specifically designed for disposal of acidic concentrate from boilers and other water producing equipment such as air conditioning units, refrigeration units and dehumidifiers etc. Incorporates a pH neutralising granule tray and includes a non-return valve and 6m flexible discharge pipe.



Why choose this product?

- Designed to dispose of acidic condensate
- 2 litre tank
- Integrated pH neutralising granule tray
- Four entry points
- Working temperature of 35°C. Will handle temperatures up to 80°C for short periods and a minimum pH of 2.5

Vertical/horizontal performance

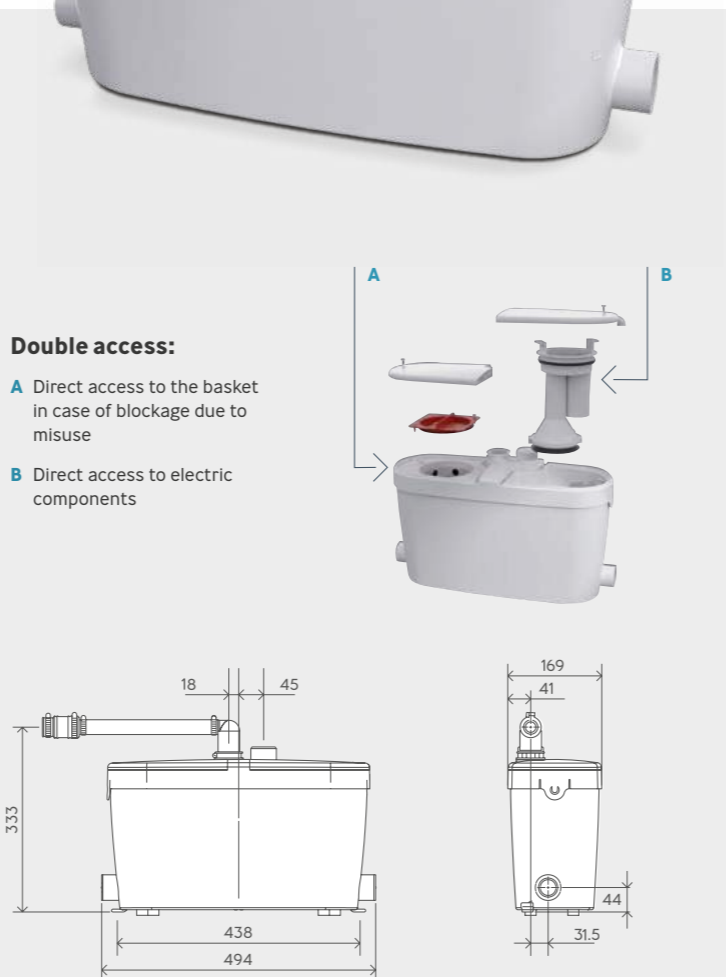


Sanicondens Best

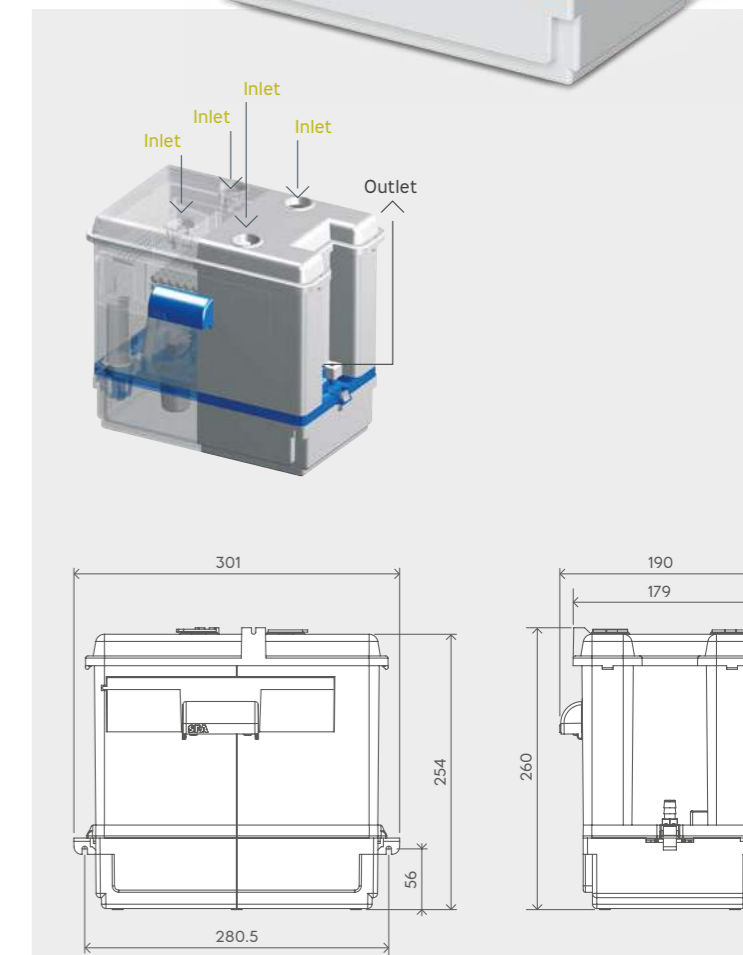
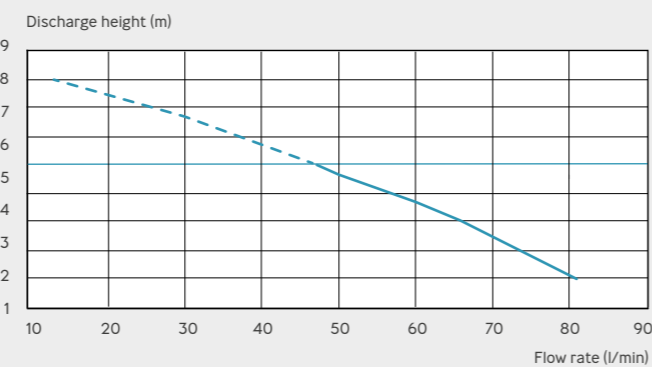
The tank of the Sanicondens Best has a float which controls the pump. When the condensate gathers in the tank the pump is activated. The product has its own neutralization tray to adjust the pH of the acidic water from the condensing boiler. Sanicondens Best is also fitted with a second float that can control an alarm.

Accessories supplied with the product:

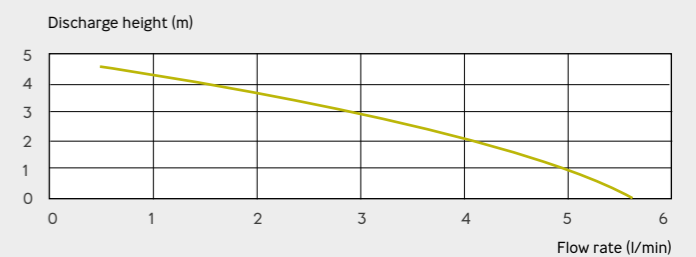
Non-return valve, wall fixing kit, 2 inlet adaptors, connection for an alarm, 2 metres of electric cable, 6 metres of drainage pipe.



Discharge Pipework 32 mm	Product Weight 6.4kg
Motor Power 400 Watts	Inlet Pipework 40mm
Voltages 220-240 V/50 Hz	IP Rating IP44
Working Waste Water Temp 75°C	



Discharge Pipework 8mm	Working Waste Water Temp 35°C/Max 80°C (intermittent)
Motor Power 60 Watts	Product Weight 2.6kg
Flow Rate 342L/h	Inlet Pipework 28mm
Voltages 220-240 V/50 Hz	IP Rating IP20
Tank Volume 2L	



SANICONDENS® Pro

Product Ref: 1082/5

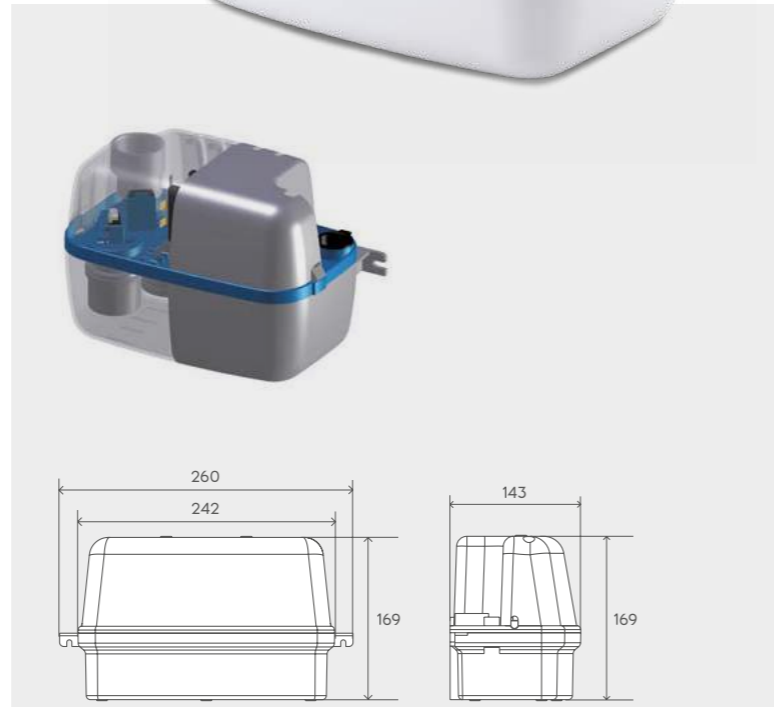
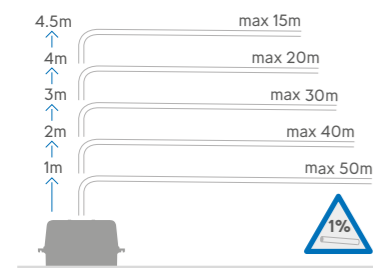
The Sanicondens® Pro is specifically designed for disposal of acidic concentrate from boilers and other water producing equipment such as air conditioning units, refrigeration units and dehumidifiers etc. Includes a non-return valve and 6m flexible discharge pipe. Similar to Sanicondens® Best, but for use where a neutralising tray is not required.



Why choose this product?

- Designed to dispose of acidic condensate
- 2 litre tank
- Two entry points
- Working temperature of 35°C.
Will handle temperatures up to 80°C for short periods and a minimum pH of 2.5
- For use where a neutralising tray is not required
- Supplied with 2m of electric cable and 6m of drainage pipe

Vertical/horizontal performance

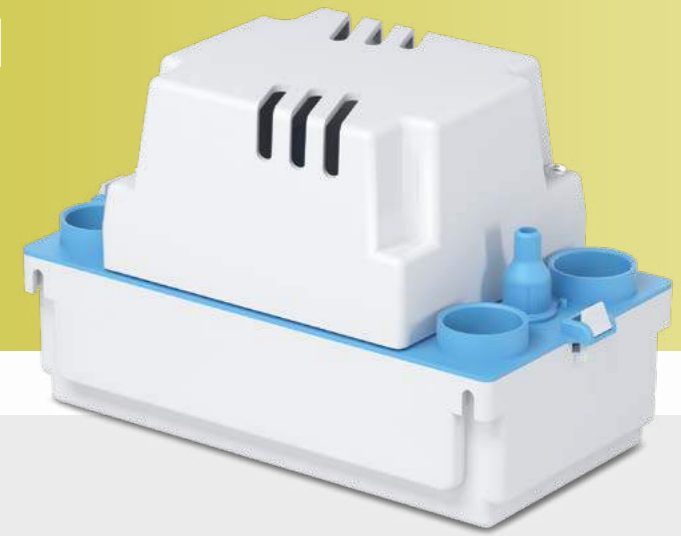


Discharge Pipework 8/11mm	Working Waste Water Temp 35°C/Max 80°C (intermittent)
Motor Power 60 Watts	Product Weight 2kg
Flow Rate 342L/h	Inlet Pipework 28mm
Voltages 220-240 V/50 Hz	IP Rating IP20
Tank Volume 2L	

SANICONDENS® Eco

Product Ref: 1133

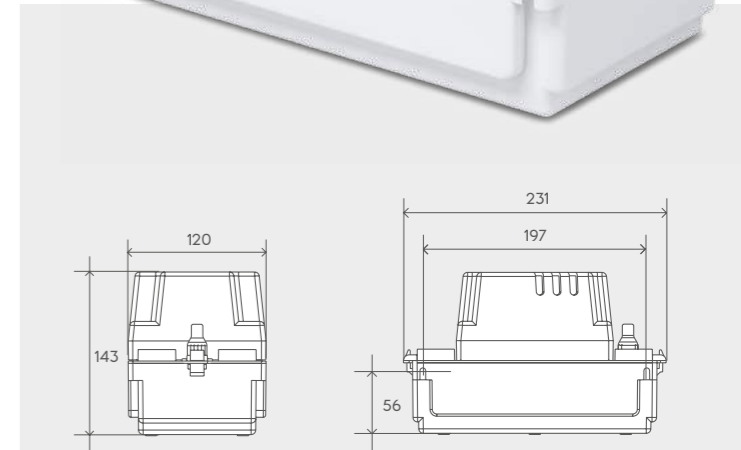
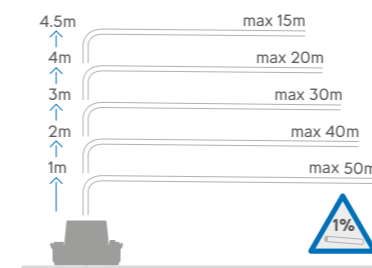
The Sanicondens® Eco is specifically designed for disposal of acidic concentrate from boilers and other water producing equipment such as air conditioning units, refrigeration units and dehumidifiers etc. Similar to Sanicondens Best®, but has a smaller tank capacity.



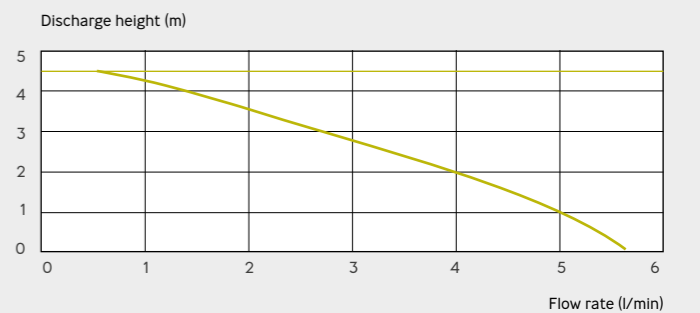
Why choose this product?

- Designed to dispose of acidic condensate
- 1 litre tank
- Four entry points
- Working temperature of 35°C.
Will handle temperatures up to 80°C for short periods and a minimum pH of 2.5
- For use where a neutralising tray is not required
- Supplied with 2m of electric cable and 6m of drainage pipe

Vertical/horizontal performance



Discharge Pipework 8/11mm	Tank Volume 1L
Motor Power 60 Watts	Working Waste Water Temp 35°C/Max 80°C (intermittent)
Flow Rate 342L/h	Product Weight 1.3kg
Voltages 220-240 V/50 Hz	Inlet Pipework 28mm
	IP Rating IP20



SANINEUTRAL

Product Ref: 1082/4



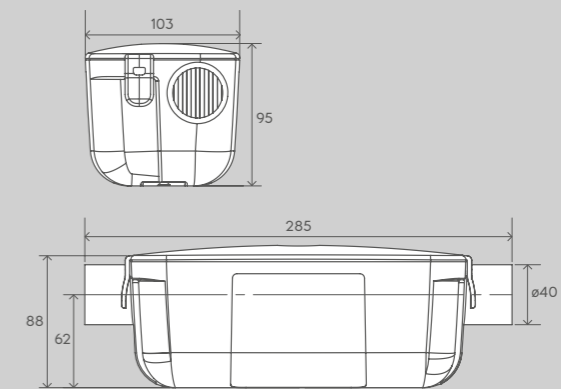
The Sanineutral will neutralise the acidic condensate from a boiler before the waste is drained away, hence protecting pipework and the environment from damage. It works without a pump but can be placed in the pipework before a Sanicondens® Pro or Eco.



Why choose this product?

- Designed to neutralise the acidic concentrate from a boiler
- Suitable for condensing boilers up to 50kW
- Replaceable neutralising granule packs
- Easy maintenance and fits on the wall or floor
- Top or side entry options

Discharge Pipework 40mm
Working Waste Water Temp 60°C
Tank Volume 1.2kg
Product Weight 1.7kg
Inlet Pipework Top 32mm / Side 40mm



SANICONDENS® Clim Pack

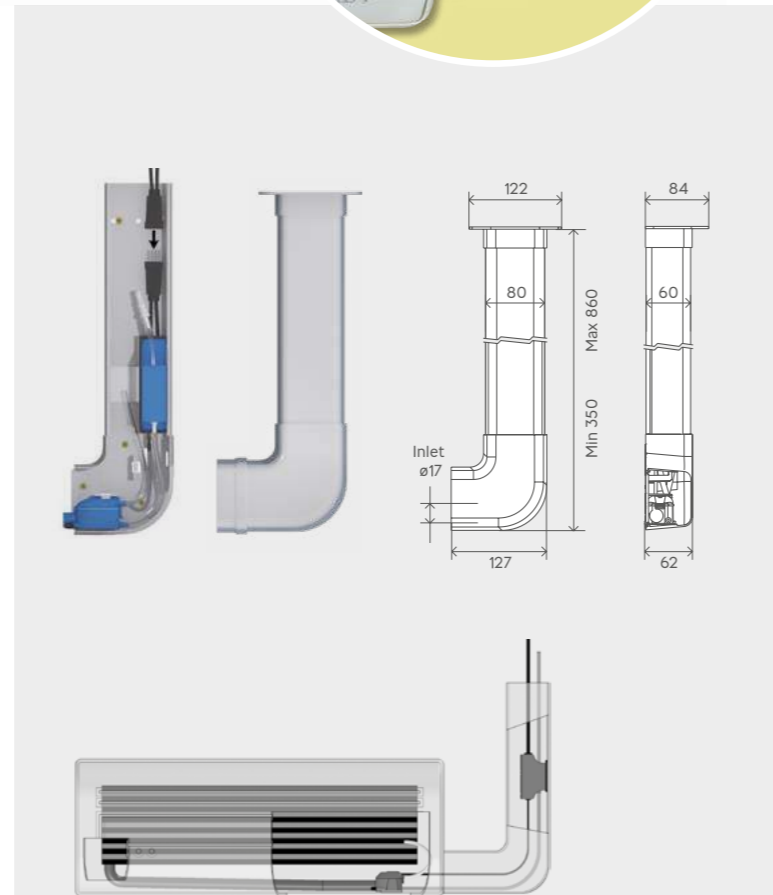
Product Ref: 1132

The Sanicondens® Clim Pack has been specifically designed to expel the condensate from air conditioning units. The pack contains the Clim Mini pump plus trimmable trunking for a neat finish.

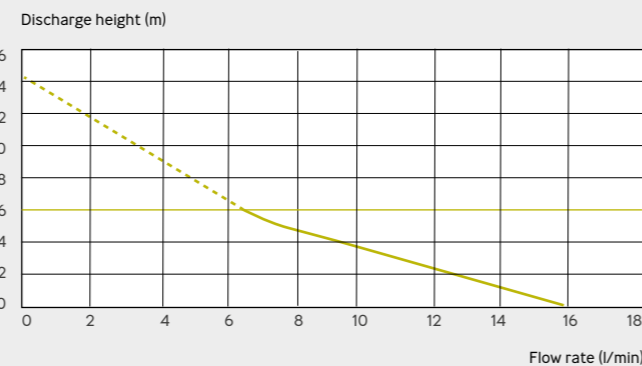


Why choose this product?

- Designed for air conditioning units
- Supplied with trunking that can be trimmed to size
- Very quiet operation



Discharge Pipework 8.5/10.5mm	Flow Rate 15L/h
Motor Power 22 Watts	Product Weight 4kg
Voltages 220-240 V/50 Hz	IP Rating IP20



SANICONDENS® Clim Mini

Product Ref: 1131

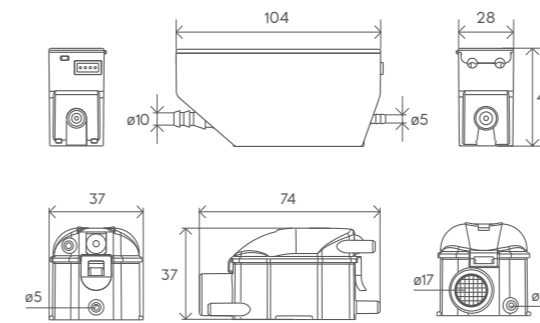
The Sanicondens® Clim Mini has been specifically designed to expel the condensate from air conditioning units.



Why choose this product?

- Designed for air conditioning units
- Very quiet operation

Why not use the Sanicondens Clim Pack to get a neat decorate finish? See opposite.



Discharge Pipework 8.5/10.5mm	Flow Rate 15L/h
Motor Power 22 Watts	Product Weight 3kg
Voltages 220-240 V/50 Hz	IP Rating IP20

Vertical suction in metres (A)	Vertical pumping in metres (B)	Horizontal pumping in metres (C)			
		5	10	20	30
0	1	10.4	9.1	8.3	7.3
	2	8.9	7.8	7.0	6.4
	3	7.9	7.1	6.3	5.8
	4	7.0	6.0	5.3	4.9
1	1	8.9	8.3	7.5	5.9
	2	7.8	7.3	6.7	6.1
	3	6.9	6.7	5.7	5.4
	4	5.9	5.5	4.9	4.4
1.5	1	7.8	7.6	6.9	6.5
	2	7.1	6.6	6.2	5.7
	3	6.5	5.7	5.1	4.8
	4	5.5	4.8	4.2	3.9

SANICONDENS® Clim Deco

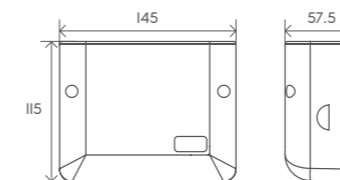
Product Ref: 1134

An easy to install, discreet pump to expel the condensate from air conditioning units and refrigeration units.

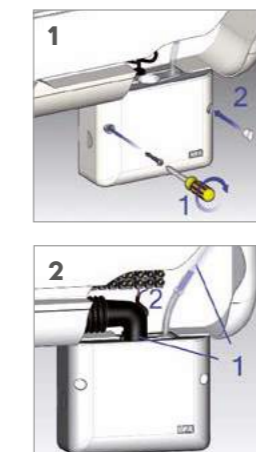


Why choose this product?

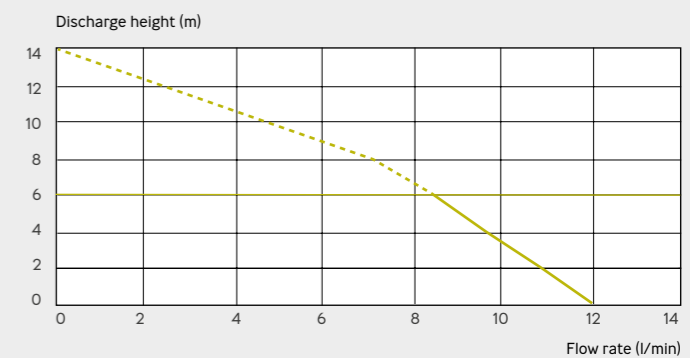
- Designed for air conditioning and refrigeration units
- Prevents dripping
- Very quiet operation
- Easy installation



Installation diagram



Discharge Pipework 8/10mm	Voltages 220-240 V/50 Hz	Product Weight 2kg
Motor Power 16 Watts	Flow Rate 12L/h	IP Rating IP24



SANICONDENS® Deco +



Product Ref: 1082/6

The Sanicondens Deco + is ideal for removing condensate from a boiler installation in a kitchen. Quiet, compact Design.

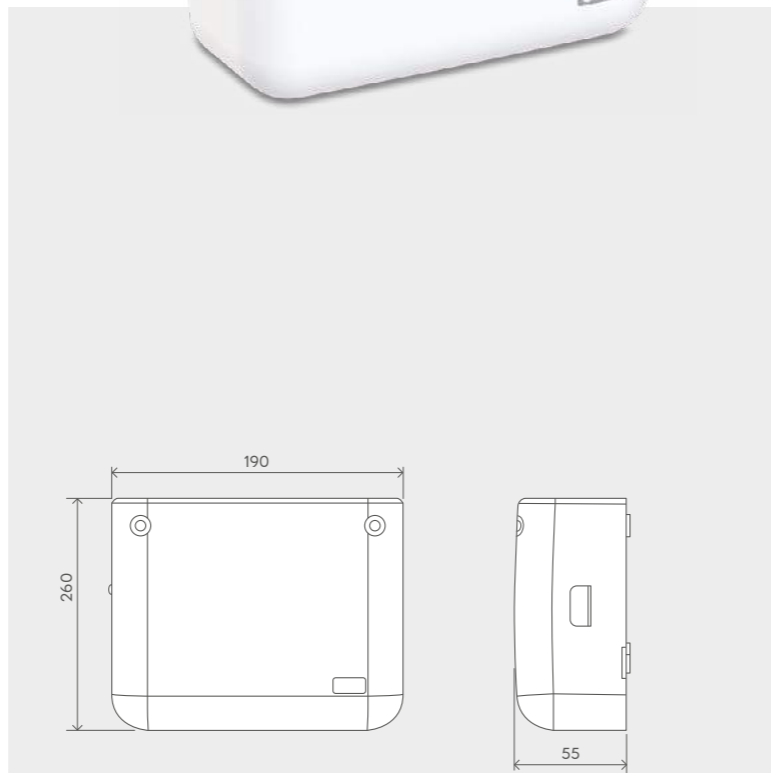
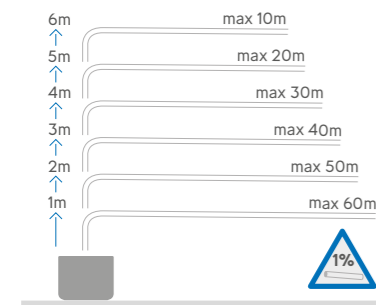
NEW



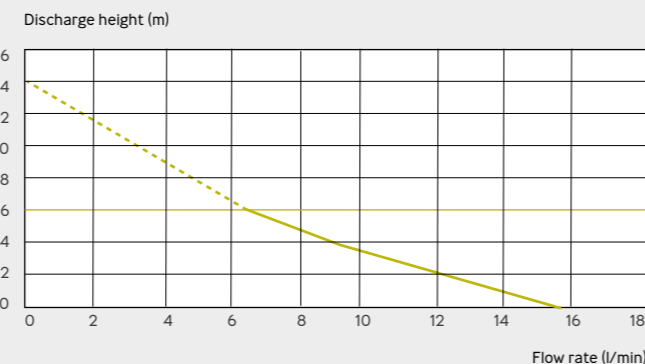
Why choose this product?

- The Sanicondens Deco + is a lifting pump for gas condensing boilers up to 25 kW.
- Its compactness and quiet operation make it an ideal product for boilers installed in small spaces such as kitchens.
- Thanks to its simple and compact design it will integrate perfectly into any interior.
- High performance, it offers a lifting height of 6m.

Vertical/horizontal performance



Discharge Pipework 8/10mm	Tank Volume 175ml
Motor Power 22 Watts	Working Waste Water Temp 55°C
Flow Rate 15L/h	Product Weight 500g
Voltages 220-240 V/50 Hz	Inlet Pipework 22mm
	IP Rating IP20



SANIALARM®

Product Ref: 1095

The Sanialarm® has a level pressure switch that triggers an alarm fixed on the top of a unit if the volume of water exceeds the maximum allowed level. The alarm emits a continuous warning sound, until it is switched off and the problem rectified.



Why choose this product?

- Helps protect against flooding
- 80dB buzzer
- Added peace of mind
- Easy and quick installation onto lid of Saniflo unit
- Suitable for new and existing Saniflo installations
- Fits most Saniflo products – see product selector for details

Power 2 x AAA batteries – 1.5v (not included)	Weight 0.17kg
---	-------------------------

SANIFLO® CLEANSER/DESCALER

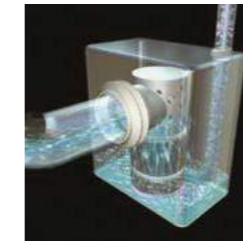
Product Ref: 1085

Specifically created for use with Saniflo® units, the cleanser is a concentrated solution for optimum cleaning power and trouble-free maintenance.



Why choose this product?

- Ideally suited to Saniflo units
- Won't damage septic tanks
- Comes in a 5 litre bottle for multiple applications
- Prolongs unit life and efficiency
- Use more frequently in hard water zones



Weight 5.8kg per 5L bottle



Benefit from our extended warranty

In order to register your 3 year warranty extension, simply go to our website: saniflo.co.uk or fill in the warranty registration card inside the box and send it to us by post.

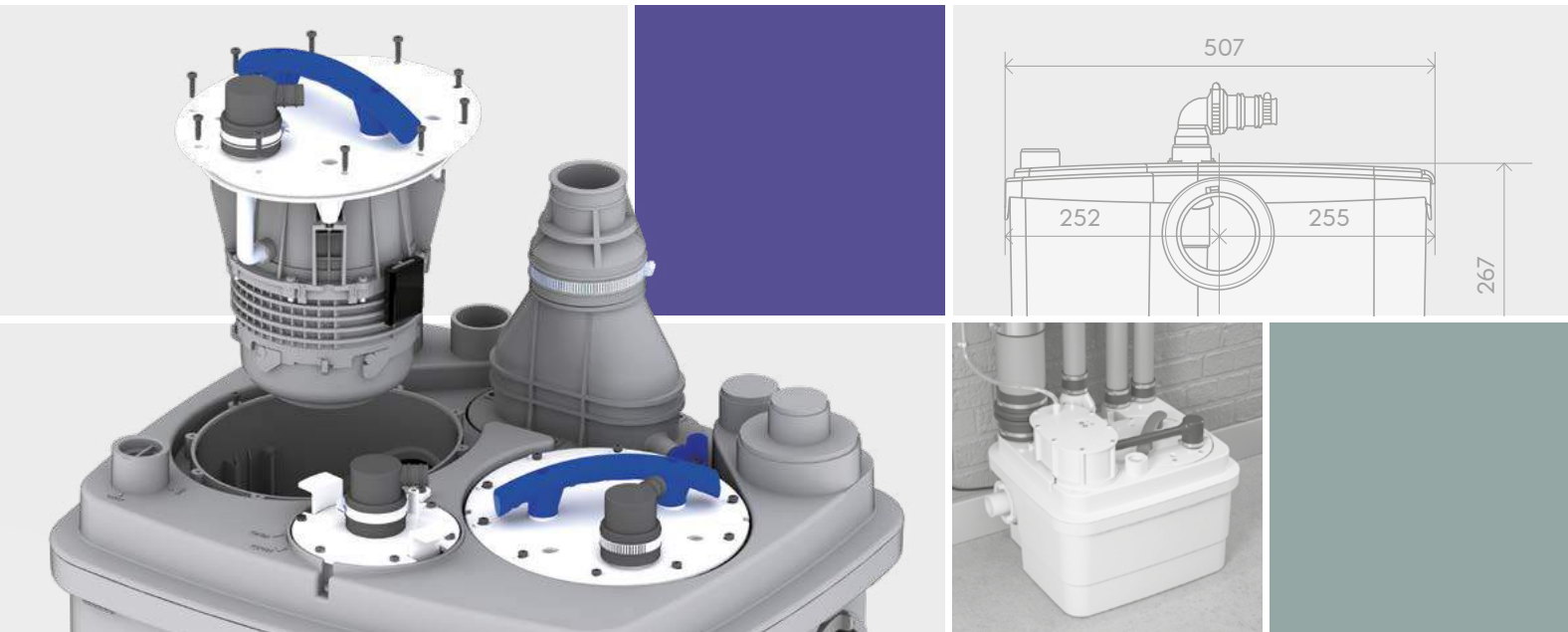
Our 3 year warranty extension is applied to the following products only:

Saniflo Up, Sanitop Up, Saniplus Up, Sanipro Up, Sanipack Pro Up, Saniwall Pro Up, Sanivite +, Sanishower + and Sanispeed +.

All other Saniflo products have a 2 year warranty period as standard.

SANIFLO®

PLUMBING THE POSSIBILITIES



Saniflo – the facts

Saniflo macerator pumps and lifting stations reduce waste to liquid form and discharge through small-bore pipework to a soil stack or sewer.

This means real economies in labour and structural work by eliminating conventional four inch gravity discharge pipework. Saniflo units activate automatically when the cistern is flushed.

The units are quiet and economic to use and are simply connected to the domestic electrical supply, via an unswitched fused spur. The units are specifically designed for use in damp and steamy conditions and the powerful induction motors are sealed for life.

Thermal overload cut-outs are fitted to help protect them from abuse. Only the highest quality, non-corroding materials and components are used. Moving parts are minimised for maximum reliability and durability.

All our products are designed and manufactured in France and rigorously tested in our factory. We have years of experience in the market, constantly refining and improving our technology and we are confident on their reliability.

As part of the SFA Group, Saniflo are committed to an integrated quality and environmental management system and our business and factory complies with ISO 9001 and ISO 14001.

COMMERCIAL LIFTING STATIONS

2019



Not sure which Saniflo unit to specify?

Lift the flap for a full ready-reference guide as to which of our units is best suited to your specific installation.



SANIFLO®

PLUMBING THE POSSIBILITIES

Saniflo Limited

Howard House, The Runway, South Ruislip
Middlesex HA4 6SE, United Kingdom

Tel 020 8842 0033 Fax 020 8842 1671 Web www.saniflo.co.uk

Our pumping systems are designed for the disposal of normal organic waste product, water or paper. They are not intended to replace kitchen waste or sanitary waste disposal units. As our policy is one of continuous improvement we reserve the right to alter product specification and price without notice. All information in this publication is given in good faith. No responsibility can be accepted for any errors, omissions or incorrect assumptions. Illustrations are diagrammatic and should be regarded only as indicative of technical requirements. All vertical pumping distances are measured from base of unit. BROCH-0007-11/2018.

PRODUCT SELECTOR

All of our units can be used in any of these situations:
Basement, Ground Floor, Upper Floor, Loft/Attic —
just choose the right product for your installation...

	WC	Wall-hung WCs	Wash Basin	Bath	Shower	Power shower	Bidet	Washing Machine	Dishwasher	Sink ³	Alarm ¹
SANISPEED + Ref 6045			•	•	•	•	•	•	•	•	•
SANIBEST PRO Ref 1053	•	•	•	•	•	•	•	•	•	•	•
SANICOM 1 Ref 1046/1			•	•	•	•	•	•	•	•	
SANICOM 2 Ref 1046/2			•	•	•	•	•	•	•	•	
SANICUBIC 1 Ref 6101	•	•	•	•			•	•	•	•	²
SANICUBIC 2 PRO Ref 6102	•	•	•	•	•	•	•	•	•	•	²
SANICUBIC 2 CLASSIC Ref 6103	•	•	•	•	•	•	•	•	•	•	²
SANICUBIC 2 XL (SINGLE PHASE) Ref 6105	•	•	•	•	•	•	•	•	•	•	²
SANICUBIC 2 XL (THREE PHASE) Ref 6305	•	•	•	•	•	•	•	•	•	•	²
SANIFOS 110 (SINGLE PHASE) Ref 6106	•	•	•	•	•	•	•	•	•	•	²
SANIFOS 250 (BLADED) (SINGLE PHASE) Ref 6107	•	•	•	•	•	•	•	•	•	•	²
SANIFOS 250 (VORTEX) Ref 6107VX	•	•	•	•	•	•	•	•	•	•	²
SANIFOS 500 (BLADED) (SINGLE PHASE) Ref 6108	•	•	•	•	•	•	•	•	•	•	²
SANIFOS 500 (VORTEX) Ref 6108VX	•	•	•	•	•	•	•	•	•	•	²
SANIFOS 500 (BLADED) (THREE PHASE) Ref 6308	•	•	•	•	•	•	•	•	•	•	²
SANIPUMP (BLADED) Ref 6109	•	•	•	•	•	•	•	•	•	•	²
SANIPUMP (VORTEX) Ref 6109VX	•	•	•	•	•	•	•	•	•	•	²


¹ Sanialarm can be fitted to these units if required.


² Sanialarm is fitted to these units as standard.

³ If connected to a kitchen sink, a grease trap must be fitted.

CONTENTS

Our product range has been divided into Domestic and Commercial categories to make it simple to find the product you're looking for, quickly and easily.

COMMERCIAL			
	6045	SANISPEED +	04
	1053	SANIBEST PRO	05
	1046/1	SANICOM 1	06
	1046/2	SANICOM 2	07
	6101	SANICUBIC 1	08-09
	6102	SANICUBIC 2 PRO	10-11
	6103	SANICUBIC 2 CLASSIC	12-13
	6105	SANICUBIC 2 XL (SINGLE PHASE)	14-15
	6305	SANICUBIC 2 XL (THREE PHASE)	16-17
	6106	SANIFOS 110 (SINGLE PHASE)	20
	6107	SANIFOS 250 (SINGLE PHASE)	21
	6108	SANIFOS 500 (SINGLE PHASE)	22
	6308	SANIFOS 500 (THREE PHASE)	23
	6109	SANIPUMP	24

ACCESSORIES			
	1107	4"/100mm ISOLATING VALVE	25
	1109	2"/50mm ISOLATING VALVE	25
	1108	CARBON AIR FILTER	25
	6100	SANIFOS 110 DISCHARGE KIT	25

Saniflo works where convention doesn't.

Because Saniflo products are perfect for unconventional situations where drainage is a problem, you'll be able to say 'yes' to your customers more often. More jobs each month and more revenue for your business.

A bath in the basement, a loo in the loft or a shower under the stairs! Wherever you need access to conventional drainage but there's none close by, Saniflo probably has a product to help you find a solution.

Having brought the macerator concept to the UK almost 40 years ago, we now have a huge range of over 30 products including macerator pumps, lifting stations and integrated sanitaryware; all designed to work with small bore pipework that's easy to install and run to the nearest soil pipe. You'll find they're now very quiet and unobtrusive in operation and with many slim-line models available; easy to hide away.

All our products are designed and manufactured in France and rigorously tested in our factory. We have a wealth of experience in the market – 60 years of continuous development and testing goes into each device – constantly refining and improving our products and we're so confident in their reliability they're **guaranteed for 2 years**.

Saniflo UK also has a national network of over **100 service engineers** available to your customers supporting the product day in day out, meaning worry free installation for plumbers and end users.

All you need to do is think of the possibilities.

Our guarantee

Saniflo units are fully guaranteed for up to five years and backed by a nationwide service network of skilled and experienced engineers, see page 27 in 'Pumps and Macerators'.

Technical Advice / Spares: 020 8842 0033

Service Engineer Linkline: 0345 765 0011

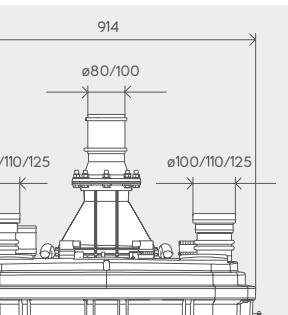
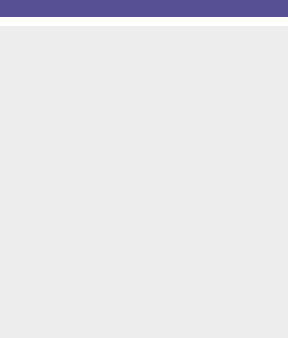
Please phone from a landline from the unit location in order to be connected to your local service engineer.

Visit our official website <http://repairs.saniflo.co.uk> for a full listing of service engineers by geographical area.



5 year extended warranty

See page 27 in 'Pumps and Macerators' for details



COMMERCIAL

THE (R)EVOLUTION CONTINUES

SANIFLO: PLUMBING THE POSSIBILITIES SINCE 1958

- Removable motors and water level indicators for easy servicing and maintenance
- Some models now available in three phase
- New designs making it easier for disassembly and reassembly

OUR COMMERCIAL RANGE – EVEN MORE INNOVATIVE FOR EASE OF USE



SANICUBIC® 1
See pages 08-09



SANICUBIC® 2 Pro
See pages 10-11

SANICUBIC® 2 Classic
See pages 12-13



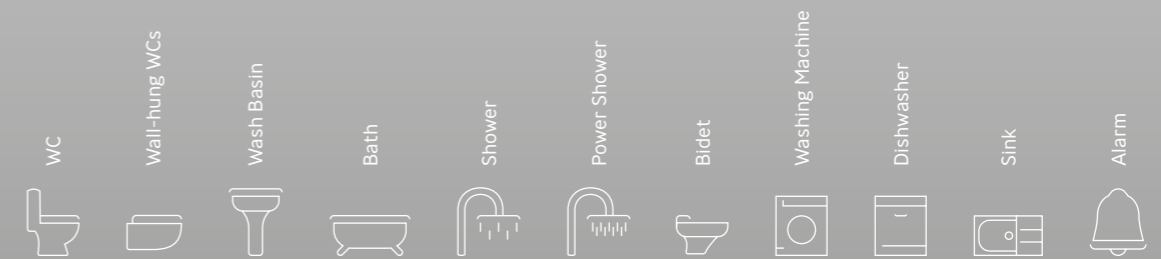
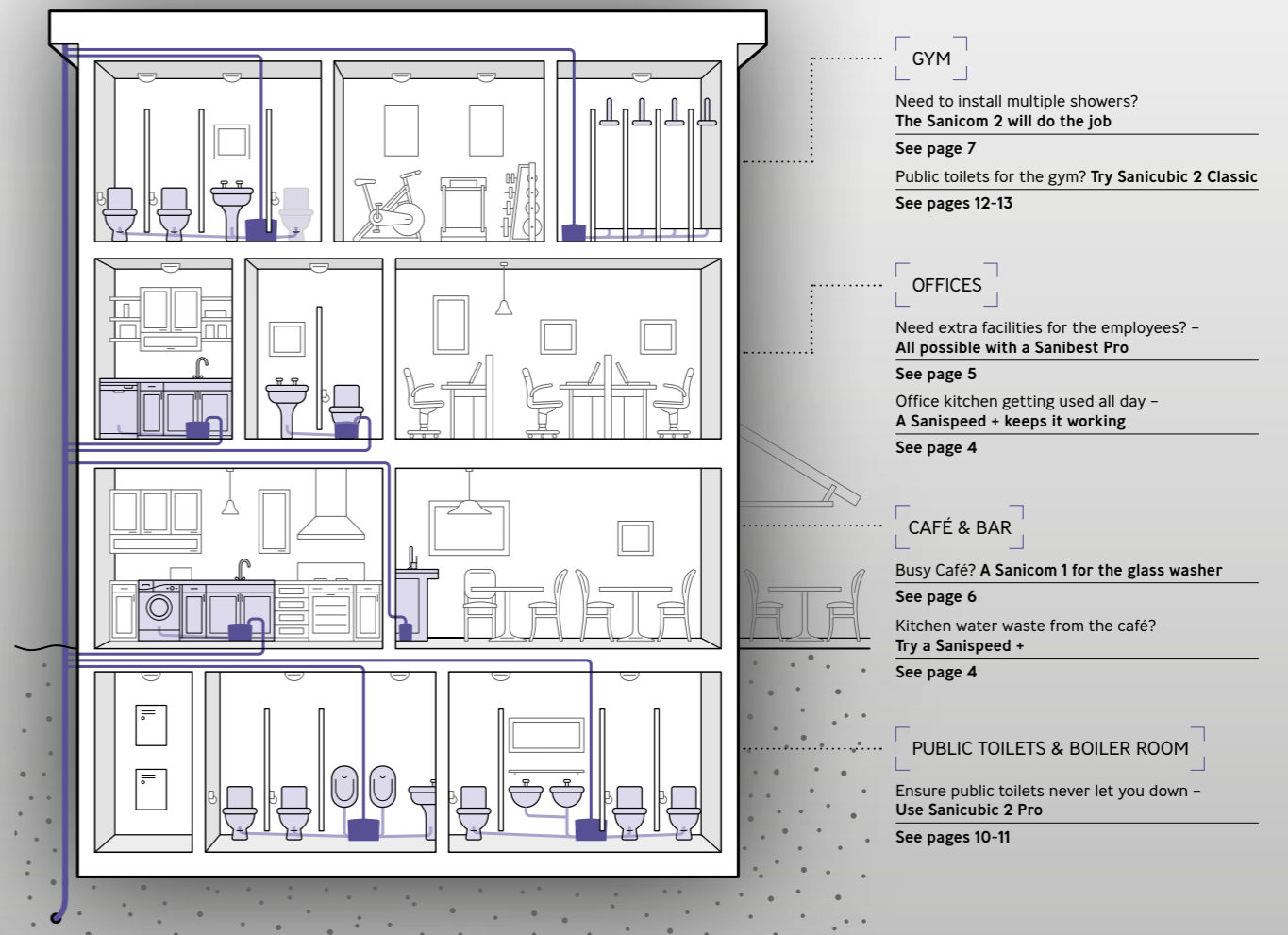
SANICUBIC® 2 XL SINGLE PHASE
See pages 14-15

SANICUBIC® 2 XL THREE PHASE
See pages 16-17

Tough conditions require tough products and the Saniflo commercial range now has 17 products that are robust enough to perform in some of the most demanding situations.

Having manufactured Saniflo products for over 60 years, no other manufacturer has the years of experience and expertise to produce such a comprehensive range of units for commercial applications.

Think of the possibilities...



Products suitable for a whole variety of applications. (Just refer to each of the product keys on the relevant pages).

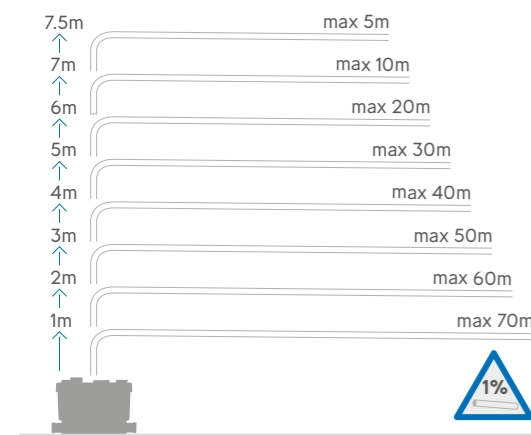
Product Ref: 6045

Ideal for light commercial environments such as small shops, cafés, offices, bars and dental surgeries where grey waste water needs to be disposed of. Sanispeed®+ deals with grey water from a shower, basin, bath, bidet, washing machine, dishwasher and sink.

Why choose this product?

- Ideal for light commercial applications
- Low activation level (95mm)
- Robust motor
- Four inlets – two side entries and two cover entries
- Working temperature of 35°C.
- Will handle up to 75°C for short periods
- Meets European standard EN12050-2
- Carbon filter included to neutralise odours

Vertical/horizontal performance



5 YEAR WARRANTY
Up to 5 years warranty
See page 27 of 'Pumps and Macerators' section



Discharge Pipework
32mm

Motor Power
400 Watts

Voltages
220-240 V/50 Hz

Working Waste Water Temp
35°C/Max 75°C (intermittent)

Product Weight
6.4kg

Inlet Pipework
40mm

IP Rating
IP44

Discharge height (m)

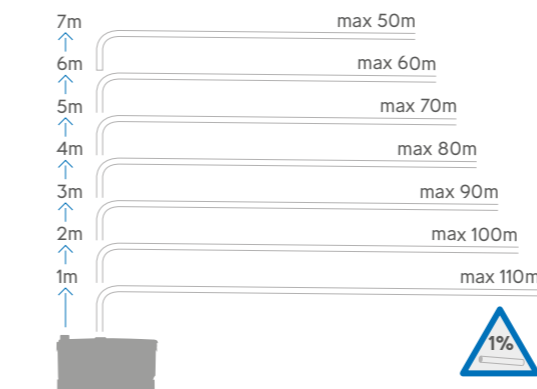
Product Ref: 1053/1

Sanibest® Pro is a heavy duty macerator suitable for heavy usage public or commercial environments. Handles connection to a WC, basin, bidet and shower.

Why choose this product?

- Ideal for heavy usage applications
- Three inlets – two side entries and one cover entry
- Working temperature of 35°C
- Meets European standard EN12050-3

Vertical/horizontal performance



Cover allows easy access to electronic components

Robust blade suitable for heavy usage

Discharge Pipework
32mm

Motor Power
1100 Watts

Voltages
220-240 V/50 Hz

Working Waste Water Temp
35°C

Product Weight
12kg

Inlet Pipework
40mm

IP Rating
IP44

Discharge height (m)

Product Ref: 1046/1

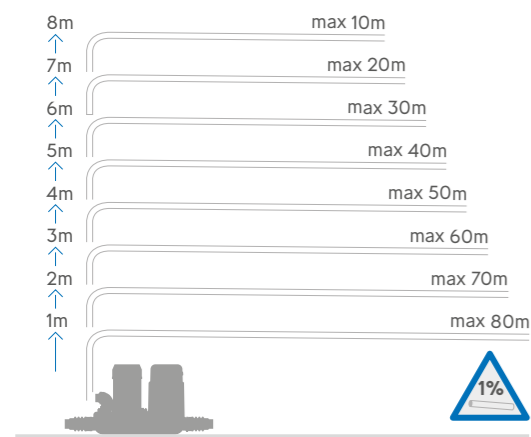
Sanicom® 1 is an automatic, powerful lifting station for grey water used in busy commercial environments. Suitable for multiple connections including a basin, bath, shower, bidet, sink, dishwasher and washing machine.



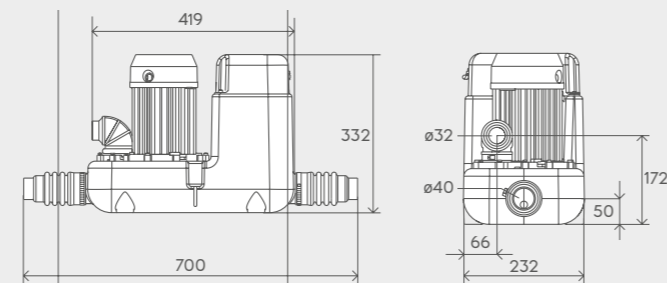
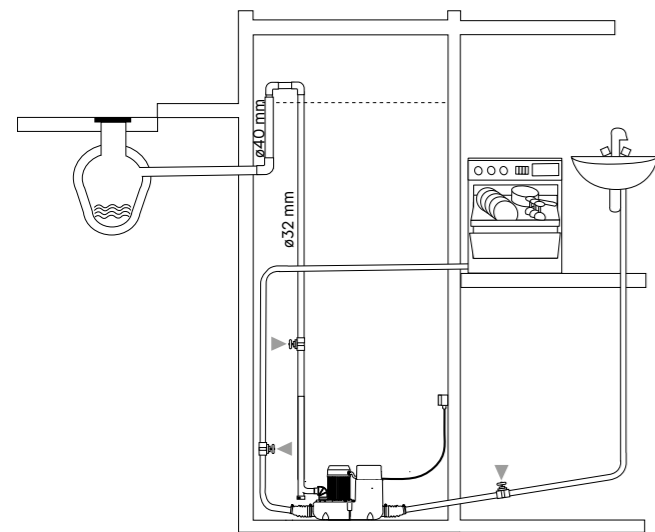
Why choose this product?

- Ideal for commercial applications e.g. cleaning and catering sinks
- Heavy duty, safe, reliable pump
- Unit operates automatically
- Two 40mm side entries and air vent/connection to exterior
- Working temperature of 35°C
- Will handle up to 90°C for short periods

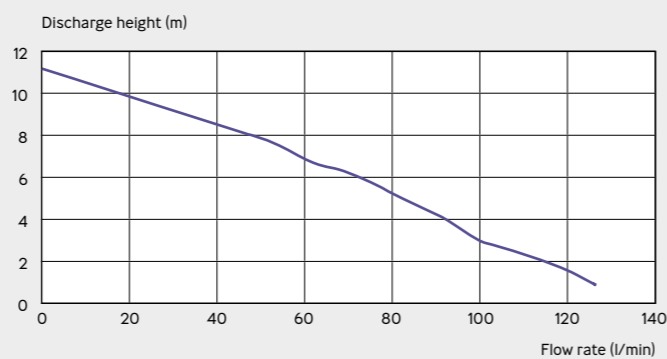
Vertical/horizontal performance



Connection to soil and vent pipe or drain



Discharge Pipework 32mm	Working Waste Water Temp 35°C/Max 90°C (intermittent)
Motor Power 750 Watts	Product Weight 12kg
Voltages 220-240 V/50 Hz	Inlet Pipework 40mm
Tank Volume 10L	IP Rating IP44



Product Ref: 1046/2

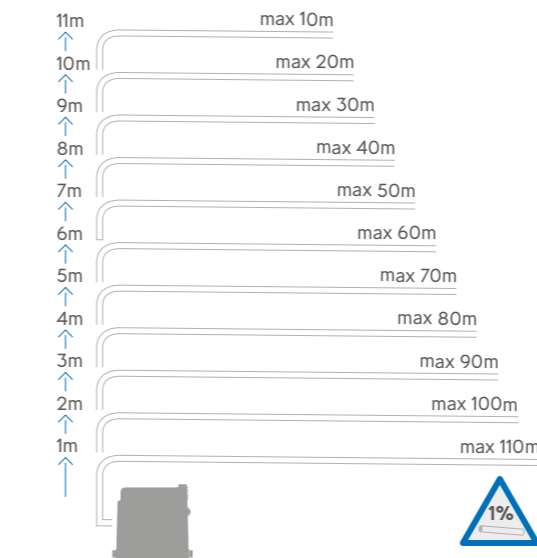
Identical to Sanicom® 1 but features two powerful motors where the second motor is a failsafe back-up to ensure that you always have continuity of service for your business.



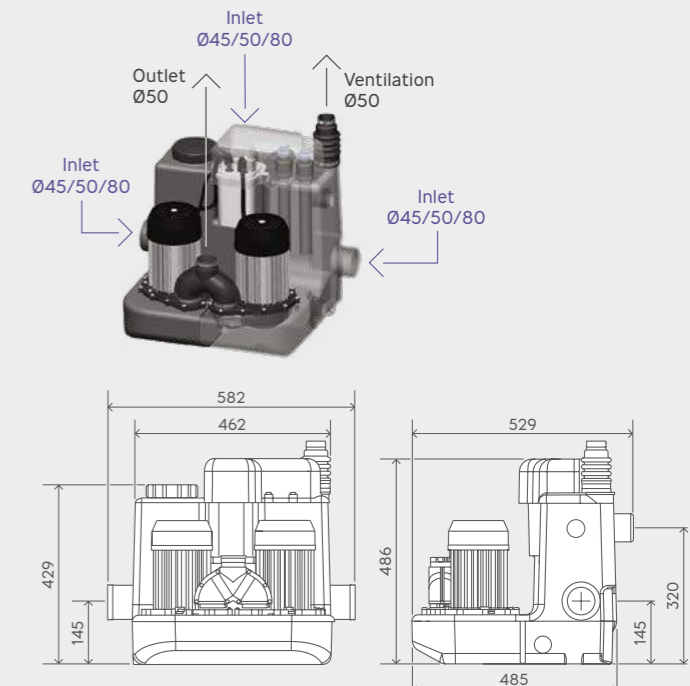
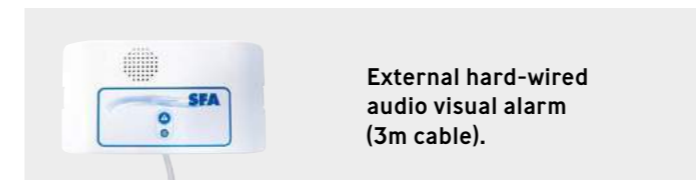
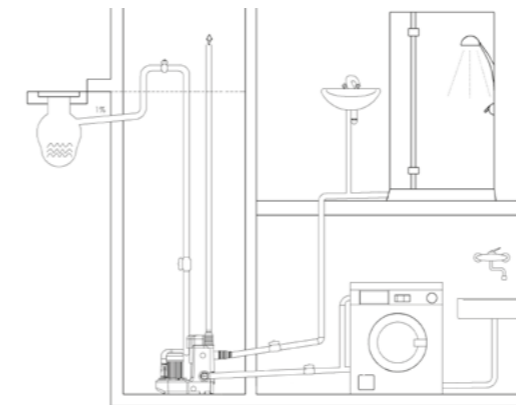
Why choose this product?

- Ideal for heavy commercial applications
- Safe, reliable pump plus backup motor
- Unit operates automatically
- Two side entries and air vent / connection to exterior
- Working temperature of 35°C
- Will handle up to 90°C for short periods
- External hard-wired alarm
- Can take waste from a shower only if there is adequate fall (see drawing below)

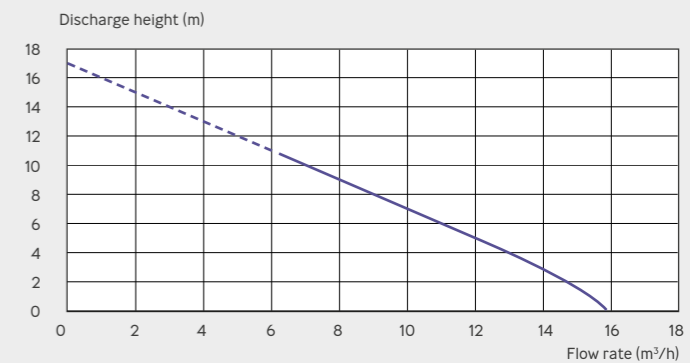
Vertical/horizontal performance



Connection to soil and vent pipe or drain



Discharge Pipework 50mm	Working Waste Water Temp 35°C/Max 90°C (intermittent)
Motor Power 1500 Watts x 2	Product Weight 26kg
Voltages 220-240 V/50 Hz	Inlet Pipework 45 / 50 / 80mm
Tank Volume 34.5L	IP Rating IP44



Product Ref: 6101

The Sanicubic® 1 is a robust macerator pump that has been designed for the discharge of waste from up to two WCs plus multiple grey water producing appliances in busy business environments and larger domestic situations.

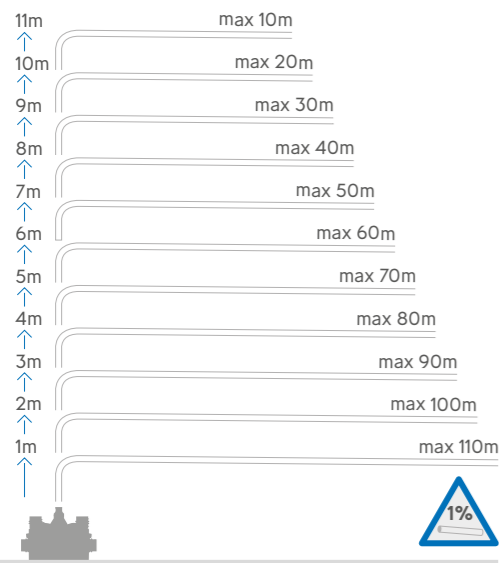


Note: Isolation valves must be fitted to the inlet pipework and discharge pipework to isolate the unit in case of the need for service
- see page 25

Why choose this product?

- Ideal for busy business environments and larger domestic situations
- Tough, reliable macerator pump
- New design with easily removable motor for servicing and maintenance
- Water level indicator unit can be easily removed for maintenance
- External hard wired audio visual alarm
- Features integrated non-return valves
- Centre heights of inlets 140mm
- Working temperature of 35°C. Will handle up to 70°C for short periods. (See Sanicom 1 and 2 for higher temperatures and longer periods)
- IP67 rated
- Cannot be connected to a Building Management System

Vertical/horizontal performance



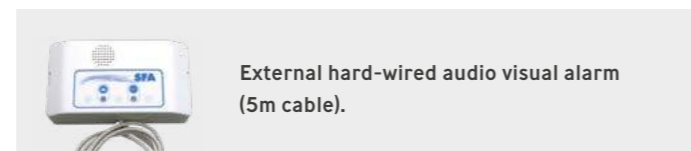
The Sanicubic tank is fitted with 2 dip tubes; one tube controls motor operation and the other controls the alarm system:

- Long pickup tube (normal operation): as soon as the waste water level in the tank reaches the triggering point in the long tube, the pumping system starts up.
- Short pickup tube (inflow overload operation): if the waste water level in the tank reaches the upper point, a contact is closed and the auxiliary pumping system is triggered. The contact also sets off an audible and visual alarm.

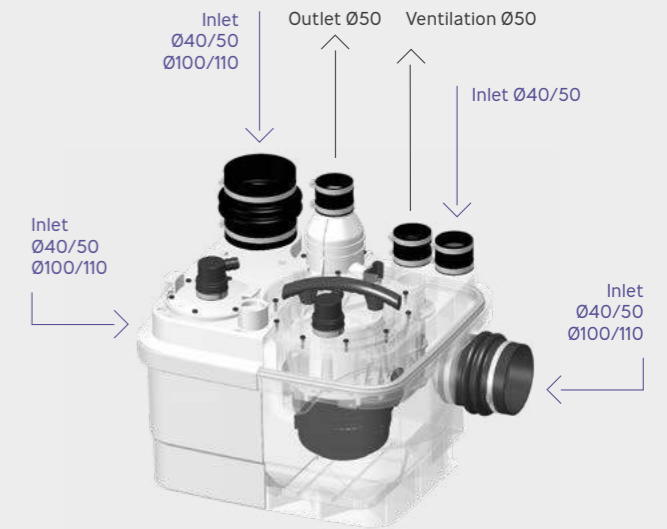
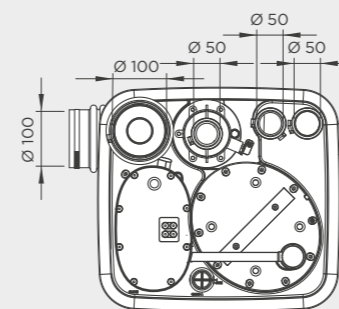
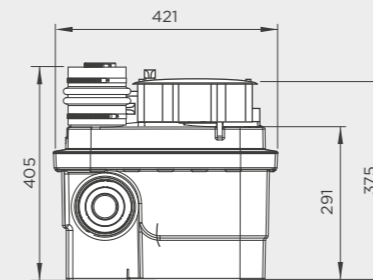
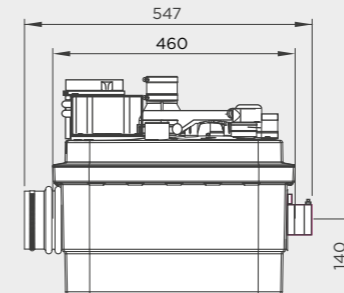
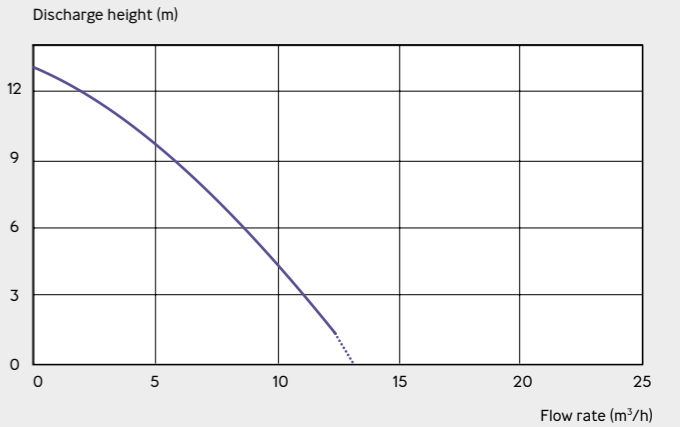
IP Ratings

IP or "Ingress Protection" ratings specify the environmental protection that the product casing provides and are defined by international standards. They are used to explain levels of sealing effectiveness of electrical enclosures against intrusion from foreign bodies e.g. dust, dirt and moisture.

Sanicubic 1 has rating IP67 which gives protection against temporary immersion in water.



Discharge Pipework 50mm	Working Waste Water Temp 35°C/Max 70°C (intermittent)
Motor Power 1500 Watts	Product Weight 20kg
Flow Rate 13m³/h	Inlet Pipework 40 / 50 / 100 / 110mm
Voltages 220-240 V/50 Hz	IP Rating IP67
Tank Volume 32L	



Remote hard-wired audio visual alarm



Product Ref: 6102

The Sanicubic® 2 Pro is a high performance macerating pump for commercial use. Contains two separate, load balanced pumps with high performance macerating systems and will operate alternately. In the event of inflow overload, both motors run at the same time, or in the unlikely event that one motor fails, the other one will take over.

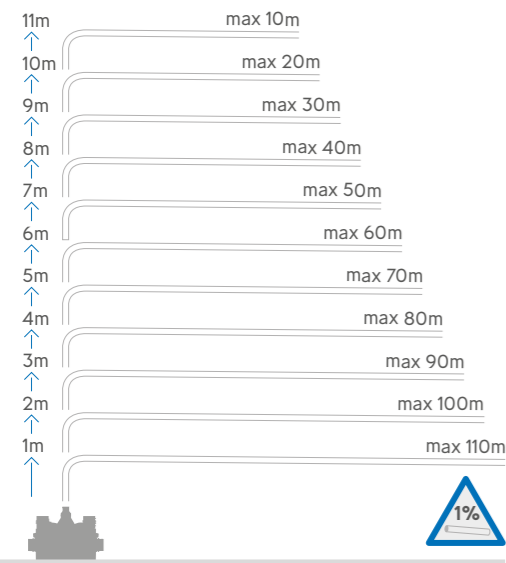


Note: Isolation valves must be fitted to the inlet pipework and discharge pipework to isolate the unit in case of the need for service – see page 25

Why choose this product?

- Ideal for busy business environments and larger domestic situations
- Tough, reliable macerator pump
- New design with easily removable motor for servicing and maintenance
- Water level indicator unit can be easily removed for maintenance
- Load balanced twin macerator pumps for a failsafe system
- Alternate activation ensures even wear of motors
- Two alarms for ultimate safety – hard-wired alarm plus remote wireless alarm
- Centre height of inlets 140mm
- Working temperature of 35°C. Will handle up to 70°C for short periods. (See Sanicom 1 and 2 for higher temperatures and longer periods)
- IP68 rated
- Can be connected to a Building Management System.

Vertical/horizontal performance



The Sanicubic tank is fitted with 2 dip tubes; one tube controls motor operation and the other controls the alarm system:

- Long pickup tube (normal operation): as soon as the waste water level in the tank reaches the triggering point in the long tube, the pumping system starts up.
- Short pickup tube (inflow overload operation): if the waste water level in the tank reaches the upper point, a contact is closed and the auxiliary pumping system is triggered. The contact also sets off an audible and visual alarm.

IP Ratings

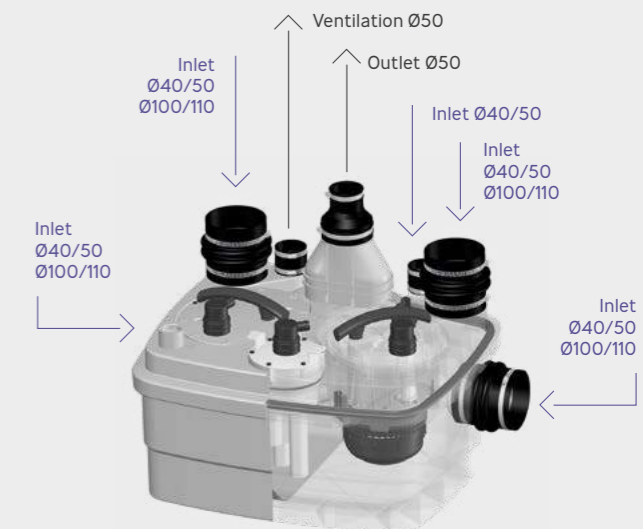
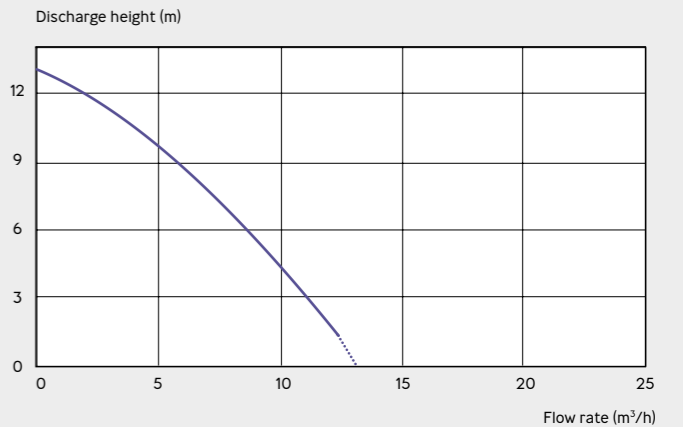
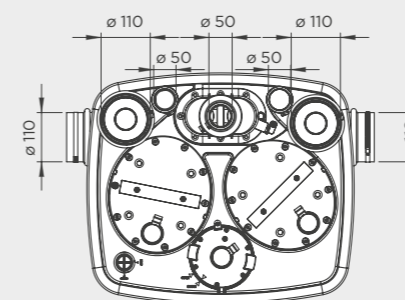
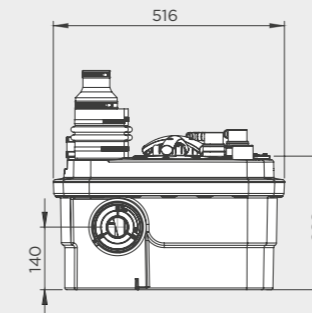
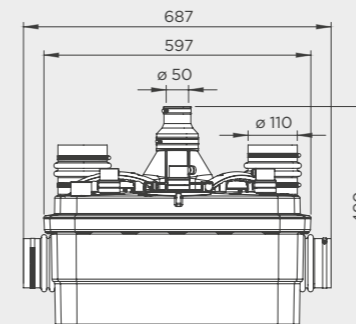
IP or "Ingress Protection" ratings specify the environmental protection that the product casing provides and are defined by international standards. They are used to explain levels of sealing effectiveness of electrical enclosures against intrusion from foreign bodies e.g. dust, dirt and moisture.

Sanicubic 2 Pro has rating IP68 which gives protection against continuous submersion in water

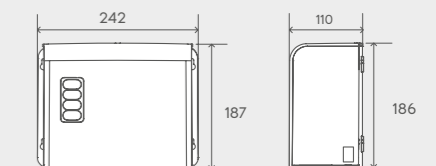
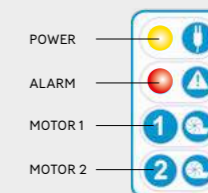


Includes hard-wired alarm on externally mounted control box plus secondary high frequency remote wireless alarm.

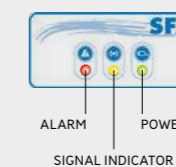
Discharge Pipework 50mm	Working Waste Water Temp 35°C/Max 70°C (Intermittent)
Motor Power 1500 Watts x 2	Product Weight 33kg
Flow Rate 13m³/h	Inlet Pipework 40 / 50 / 100 / 110mm
Voltages 220-240 V/50 Hz	IP Rating IP68
Tank Volume 45L	



Externally mounted control box



Remote wireless alarm



Product Ref: 6103

The Sanicubic® 2 Classic contains two separate, load balanced pumps with high performance macerating systems and will operate alternately. In the event of inflow overload, both motors run at the same time, or in the unlikely event that one motor fails, the other one will take over.



Note: Isolation valves must be fitted to the inlet pipework and discharge pipework to isolate the unit in case of the need for service – see page 25

Why choose this product?

- Ideal for busy business environments and larger domestic situations
- Tough, reliable macerator pump
- New design with easily removable motor for servicing and maintenance
- Water level indicator unit can be easily removed for maintenance
- Load balanced twin macerator pumps for a failsafe system
- Alternate activation ensures even wear of motors
- Two alarms for ultimate safety – both hard-wired
- Centre heights of inlets 140mm
- Working temperature of 35°C. Will handle up to 70°C for short periods. (See Sanicom 1 and 2 for higher temperatures and longer periods)
- IP68 rated
- Can be connected to a Building Management System

Vertical/horizontal performance



The Sanicubic tank is fitted with 2 dip tubes; one tube controls motor operation and the other controls the alarm system:

- Long pickup tube (normal operation): as soon as the waste water level in the tank reaches the triggering point in the long tube, the pumping system starts up.
- Short pickup tube (inflow overload operation): if the waste water level in the tank reaches the upper point, a contact is closed and the auxiliary pumping system is triggered. The contact also sets off an audible and visual alarm.

IP Ratings

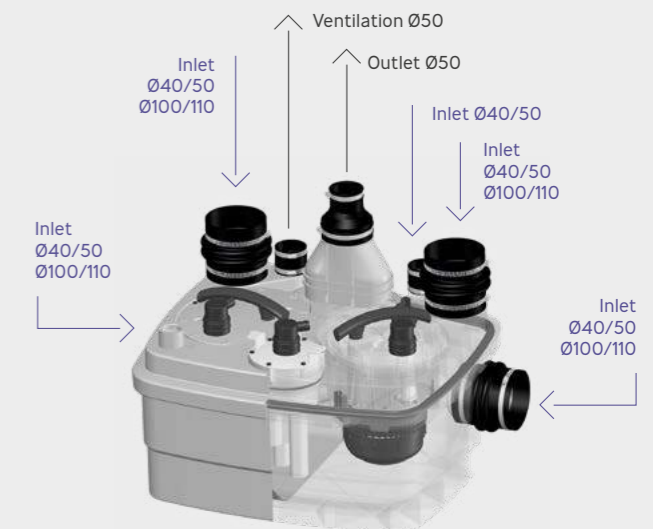
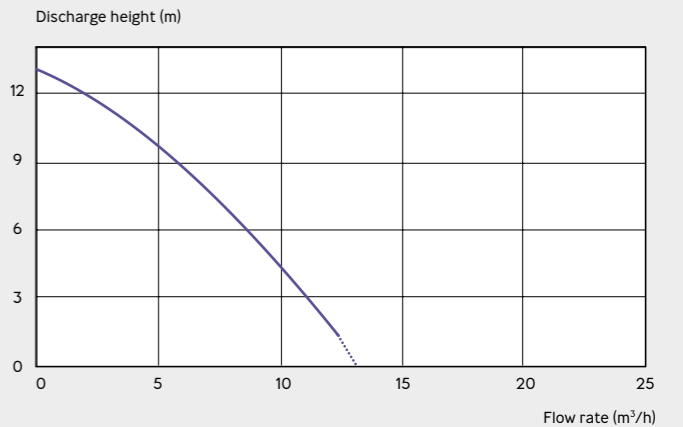
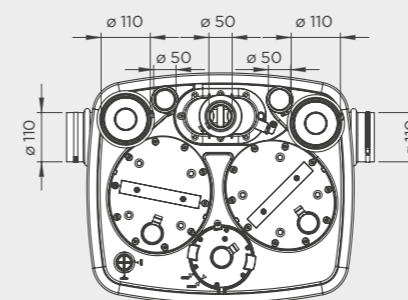
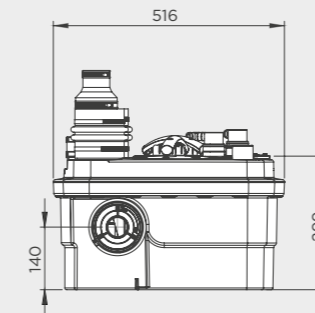
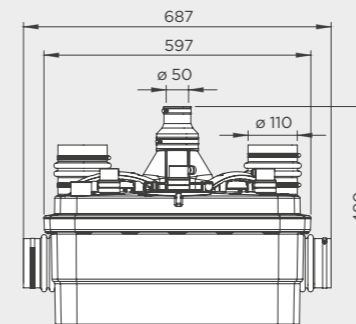
IP or "Ingress Protection" ratings specify the environmental protection that the product casing provides and are defined by international standards. They are used to explain levels of sealing effectiveness of electrical enclosures against intrusion from foreign bodies e.g. dust, dirt and moisture.

Sanicubic 2 Classic has rating IP68 which gives protection against continuous submersion in water.

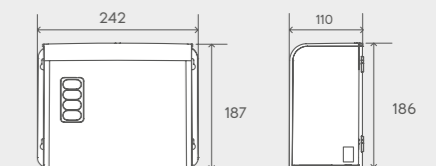
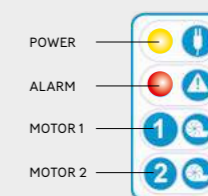


Includes hard-wired alarm on externally mounted control box plus secondary hard-wired audio visual alarm with 5m cable, so it can be placed remotely.

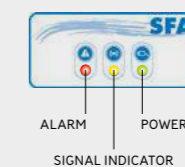
Discharge Pipework 50mm	Working Waste Water Temp 35°C/Max 70°C (Intermittent)
Motor Power 1500 Watts x 2	Product Weight 36kg
Flow Rate 13m³/h	Inlet Pipework 40 / 50 / 100 / 110mm
Voltages 220-240 V/50 Hz	IP Rating IP68
Tank Volume 45L	



Externally mounted control box



Remote wireless alarm



SANICUBIC® 2 XL

SINGLE PHASE

Product Ref: 6105

The Sanicubic® 2 XL is one of our largest lifting stations for commercial use handling up to 40m³/hour of black water via two 2kW pumps. It is easy to install as it stands on the floor and does not need to be positioned below ground.

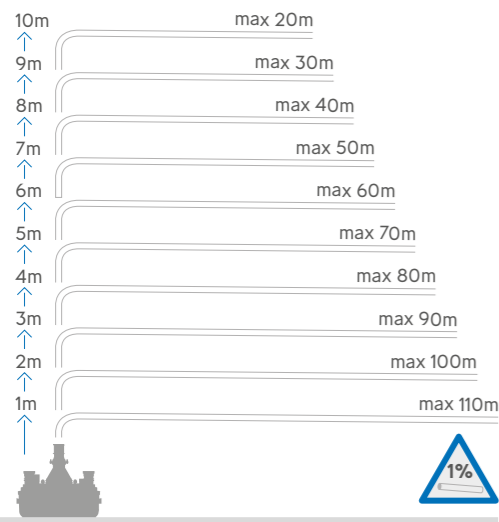


Note: Isolation valves must be fitted to the inlet pipework and discharge pipework to isolate the unit in case of the need for service – see page 25

Why choose this product?

- Ideal for large volume commercial situations
- Large bore vortex pump which can pump away waste without the need to macerate
- Easily removable motors for servicing and maintenance
- Large 120 litre tank volume
- Easy to install – no need to excavate
- Two alarms for ultimate safety – both hard-wired
- Two integrated non-return valves and four inlets: 40/50/100/110mm and one inlet 40/50mm
- Centre height of inlets 180mm
- Working temperature of 35°C. Will handle up to 70°C for short periods. (See Sanicom 1 and 2 for higher temperatures and longer periods)
- IP68 rated
- Volt free contact for connection to a Building Management System

Vertical/horizontal performance



Max pumping height 13m at 0 flow rate



IP Ratings

IP or "Ingress Protection" ratings specify the environmental protection that the product casing provides and are defined by international standards. They are used to explain levels of sealing effectiveness of electrical enclosures against intrusion from foreign bodies e.g. dust, dirt and moisture.

Sanicubic 2 XL has rating IP68 which gives protection against continuous submersion in water.



Includes hard-wired alarm on externally mounted control box plus secondary hard-wired audio visual alarm with 5m cable, so it can be placed remotely.

Discharge Pipework
80mm pipework maximum vertical lift 10m. 100mm pipework maximum vertical lift 6m.

Motor Power
2000 Watts x 2

Flow Rate
40m³/h

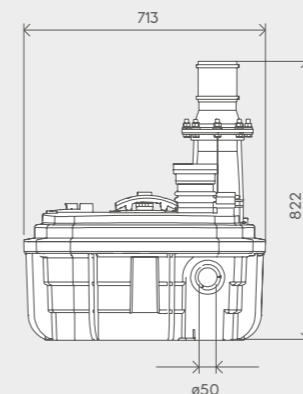
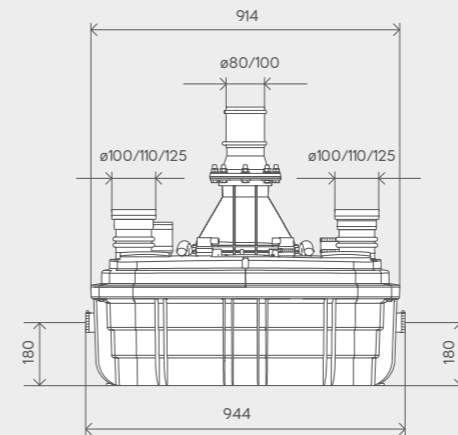
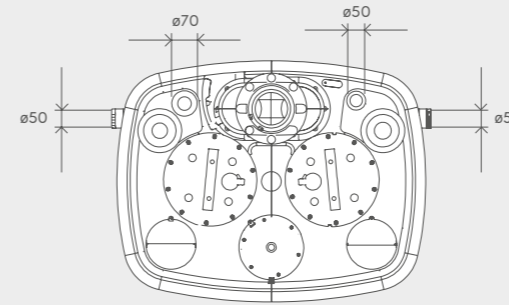
Voltages
220-240 V/50 Hz

Tank Volume
120L

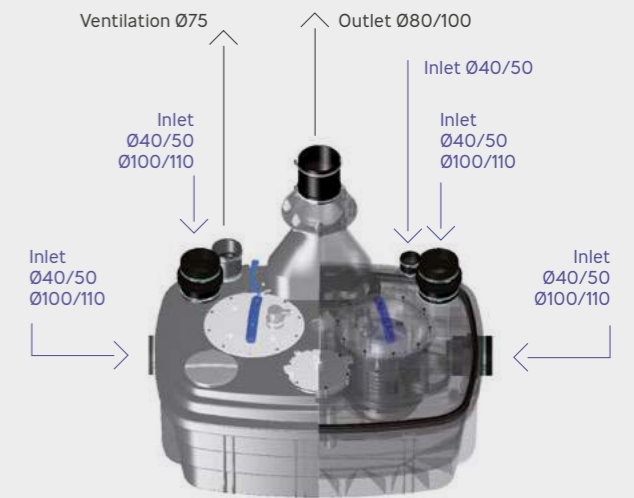
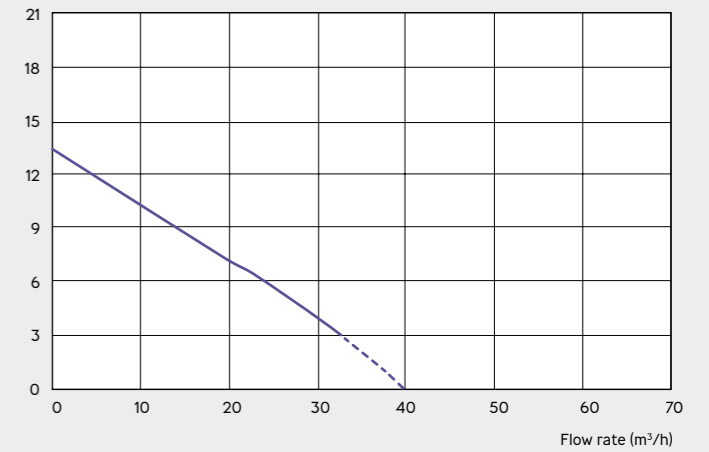
Working Waste Water Temp
35°C/Max 70°C (Intermittent)

Product Weight
59kg

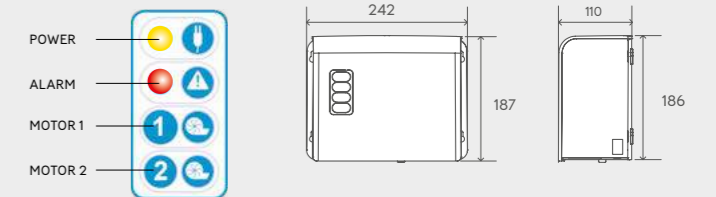
IP Rating
IP68



Discharge height (m)



Externally mounted control box



Remote hard-wired audio visual alarm



SANICUBIC® 2 XL

THREE PHASE

Product Ref: 6305

The Sanicubic® 2 XL is one of our largest lifting stations for commercial use handling up to 55m³/hour of black water via two 3200W pumps. It is easy to install as it stands on the floor and does not need to be positioned below ground.

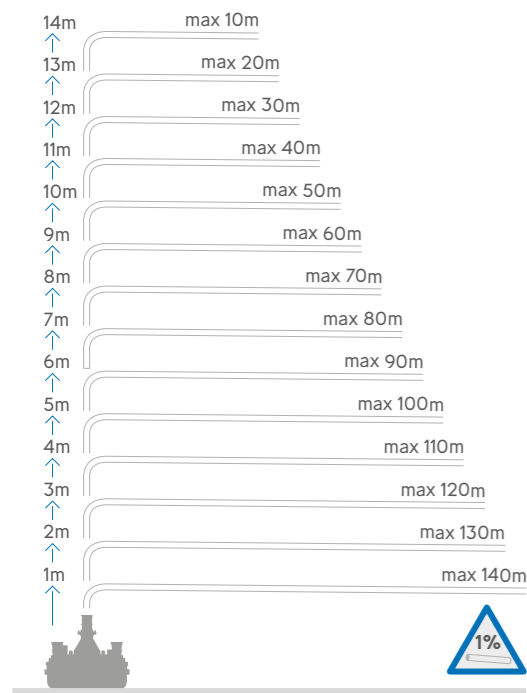


Note: Isolation valves must be fitted to the inlet pipework and discharge pipework to isolate the unit in case of the need for service – see page 25

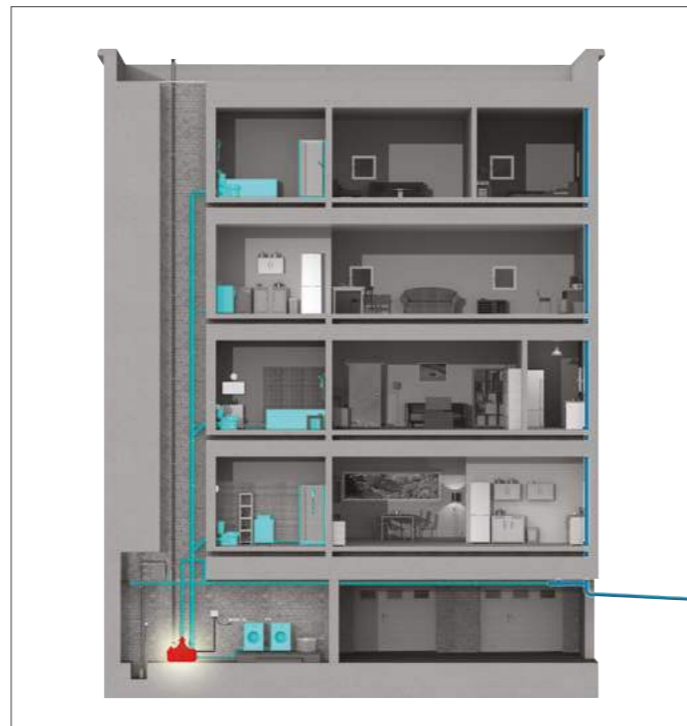
Why choose this product?

- Ideal for large volume commercial situations
- Large bore vortex pump which can pump away waste without the need to macerate
- Easily removable motors for servicing and maintenance
- Large 120 litre tank volume
- Easy to install – no need to excavate
- Two alarms for ultimate safety – both hard-wired
- Two integrated non-return valves and four inlets: 40/50/100/110mm and one inlet 40/50mm
- Centre height of inlets 180mm
- Working temperature of 35°C. Will handle up to 70°C for short periods. (See Sanicom 1 and 2 for higher temperatures and longer periods)
- IP68 rated
- Volt free contact for connection to a Building Management System

Vertical/horizontal performance



Max pumping height 16m at 0 flow rate



Discharge Pipework
100 mm

Motor Power
3200 Watts x 2

Flow Rate
55m³/h

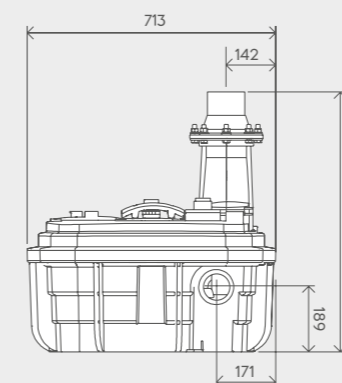
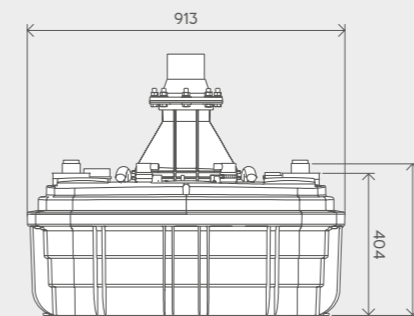
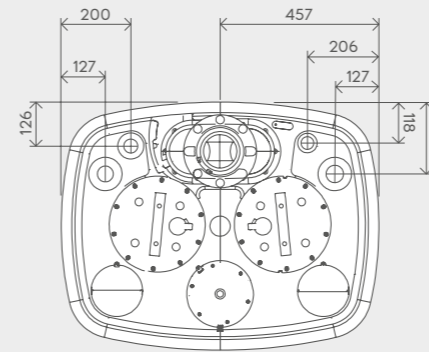
Voltages
230-400 V/50 Hz

Tank Volume
120L

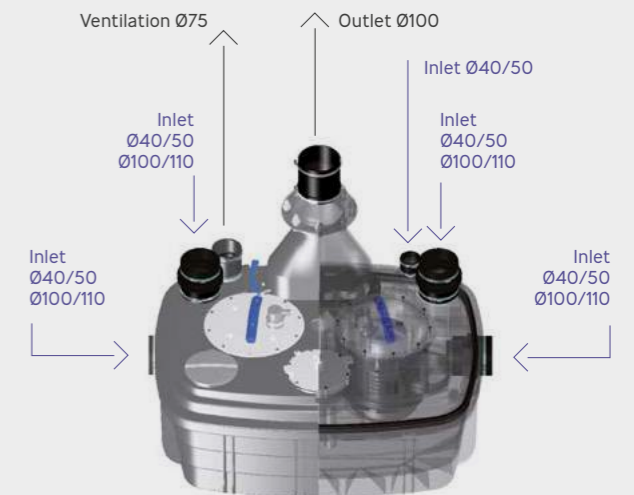
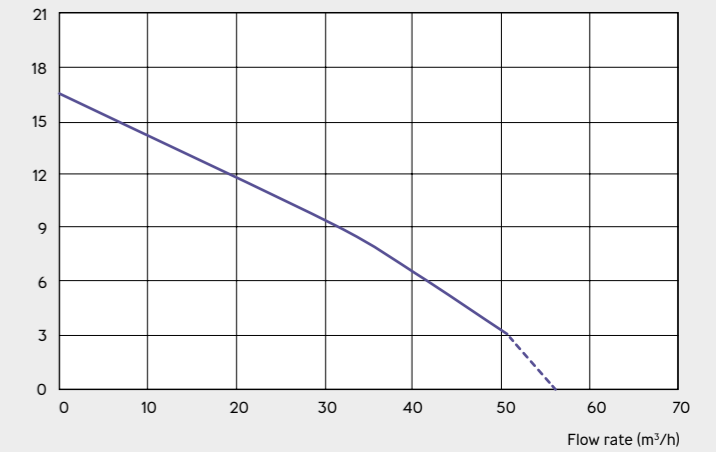
Working Waste Water Temp
35°C/Max 70°C (Intermittent)

Product Weight
60kg

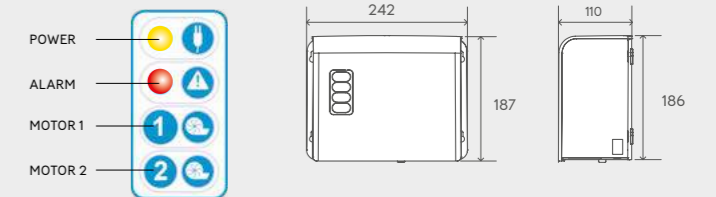
IP Rating
IP68



Discharge height (m)



Externally mounted control box



Remote hard-wired audio visual alarm



UNDERGROUND PUMP STATIONS

THE (R)EVOLUTION CONTINUES

ALLOWS A PUMPING STATION TO BE SITED:

- Below ground
- External to a building
- Where the drainage is too low for the sewer
- Where the drainage is too low for a surface mounted pumping station

Automatic underground pumping stations for the collection and lifting of domestic sewerage and waste water



SANIFOS® 250 SINGLE PHASE See page 21

SANIFOS® 500 SINGLE & THREE PHASE See pages 22-23

- Sanifos range has both one and two pump products
- Single and three phase versions
- Available in bladed or vortex versions
- Powerful automatic motors with quiet operation
- Easy handling for installation below ground level

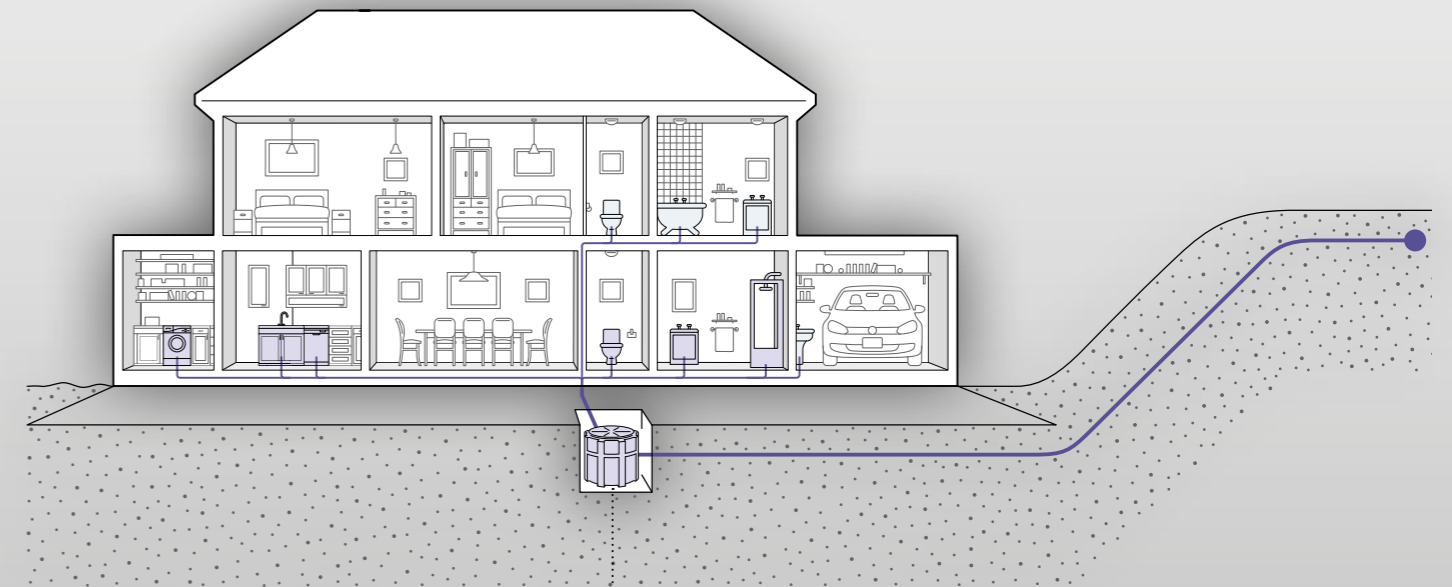


SANIFOS® 110 SINGLE PHASE See page 20

SANIPUMP® See page 24



- Waste water pump with cutting system or vortex version
- Externally fitted float switch
- Quiet operation



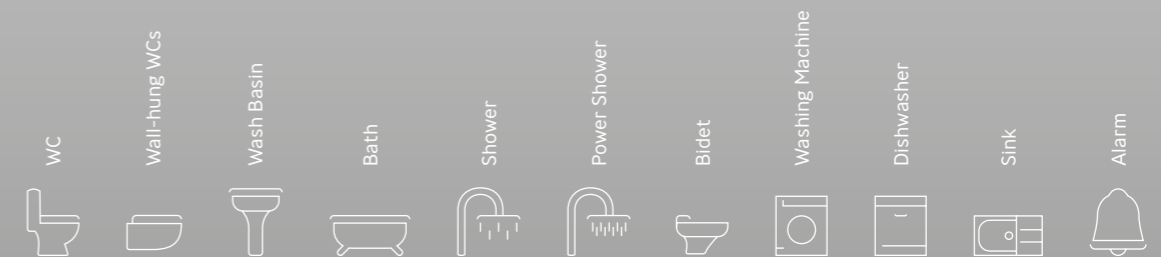
WHOLE HOUSE DRAINAGE WITH HIGH LEVEL SEWER

Multiple applications with maximum use? The Sanifos 500 will cope with this no problem, and give you peace of mind with twin motors.

See pages 22-23

Fewer applications and less use? The Sanifos 250 will do the job.

See page 21



Products suitable for a whole variety of applications. (Just refer to each of the product keys on the relevant pages).

With over **60 years of designing and manufacturing** both domestic and commercial macerators and pumps, Saniflo has all the credentials to produce our **new range of underground pump stations**.

Our range of submersive drainage pumps and our largest lifting stations can be used for pumping residential and commercial waste water from flats, plants or public buildings.

SANIFOS® 110

SINGLE PHASE

Product Ref: 6106

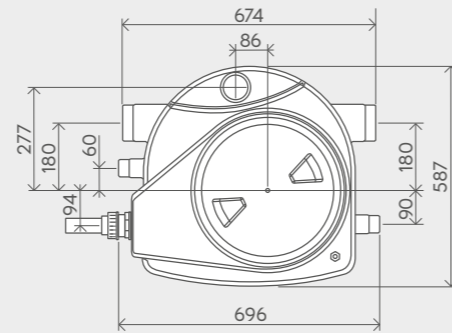
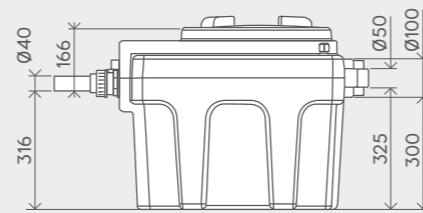
An automatic lifting station that can be used for pumping residential or industrial waste water when the sewer is at too high a level for natural gravity drainage.

Why choose this product?

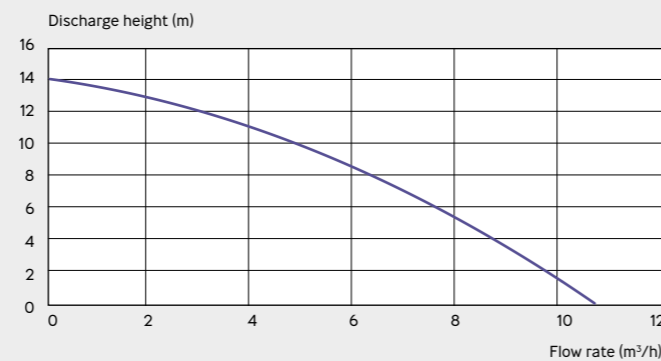
- Designed for drainage of a single dwelling incorporating WC, bathroom, kitchen, utility room.
- Single macerator pump with float activation
- Robust cutting blades to prevent clogging
- 110 litre storage tank
- Powerful automatic motor with quiet operation
- Easy handling for installation below ground level
- External non return valve and shut off valve needed for Sanifos 110
- Maximum pumping height at Q=0 l/min is 14 metres, however maximum recommend pumping height is 11 metres.



Sanifos 110 discharge kit consisting of a non-return valve and shut-off valve. See page 25 for details.



Discharge Pipework 40 / 50mm*	Flow Rate 11m ³ /hour
Motor Power 1500 Watts	Inlet Pipework 50 / 40 / 100 / 110 / 125mm
Voltages 220-240 V/50 Hz	Product weight 23kg
Tank Volume 110L	IP Rating IP68
Working Waste Water Temp 70°C (max 5 minutes)	* Please note that the discharge pipework is 40 or 50mm metric outside diameter.



SANIFOS® 250

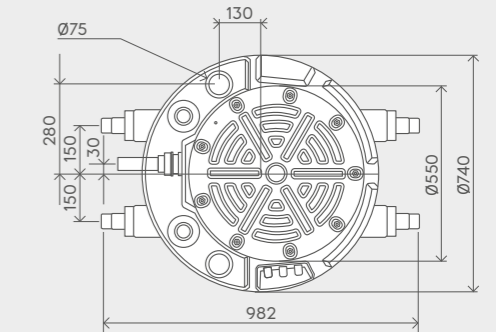
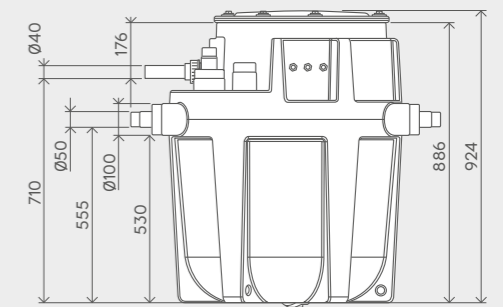
SINGLE PHASE

Product Ref: 6107 (bladed) / 6107VX (vortex)

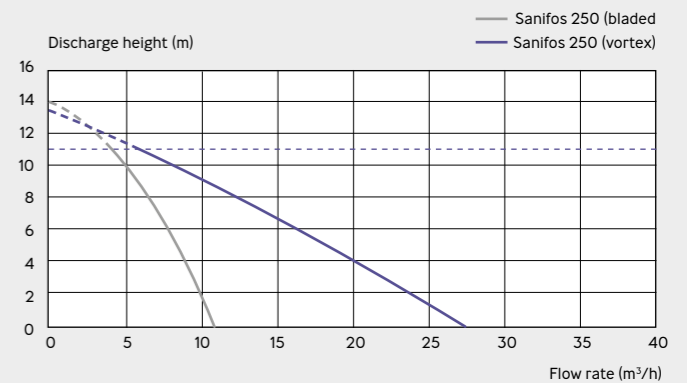
An automatic lifting station that can be used for pumping residential or industrial waste water when the sewer is at too high a level for natural gravity drainage. New vortex version is the same as bladed model but with vortex technology.

Why choose this product?

- Designed for drainage of a single dwelling incorporating WC, bathroom, kitchen, utility room.
- Single pump with float activation
- Robust cutting blades to prevent clogging or powerful vortex version
- 250 litre storage tank
- Powerful automatic motor with quiet operation
- Easy handling for installation below ground level
- Maximum pumping height for Sanifos 250 bladed at Q=0 l/min is 14 metres, however maximum recommend pumping height is 11 metres
- Maximum pumping height for Sanifos 250 vortex at Q=0 l/min is 13 metres, however maximum recommend pumping height is 11 metres.



Discharge Pipework 40 / 50mm	Flow Rate 11m ³ /hour
Motor Power 1500 Watts	Inlet Pipework 50 / 40 / 100 / 110 / 125mm
Voltages 220-240 V/50 Hz	Product weight 38kg
Tank Volume 250L	IP Rating IP68
Working Waste Water Temp 70°C (max 5 minutes)	



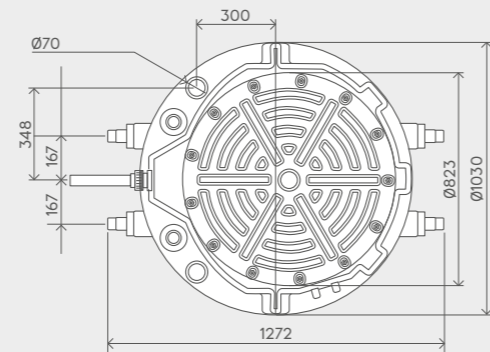
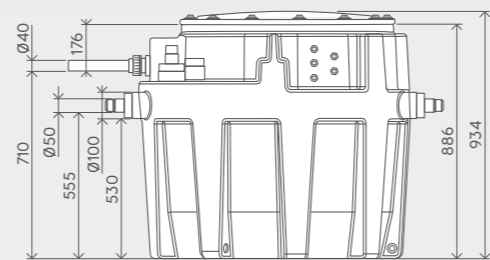
SANIFOS® 500 SINGLE PHASE

Product Ref: **6108** (bladed) / **6108VX** (vortex)

A dual motor lifting station that can be used for pumping residential or industrial waste water when the sewer is at too high a level for natural gravity drainage.

Why choose this product?

- Designed for drainage of a single dwelling with multiple storeys, incorporating WC, bathroom, kitchen and utility room
- Contains two separate load balanced pumps with high performance macerating or vortex systems that will operate alternately for a failsafe system
- In the event of inflow overload, both motors run at the same time, or in the unlikely event that one motor fails, the other one will take over
- Alternate activation ensures even wear of motors
- Robust cutting blades to prevent clogging or powerful vortex version
- 500 litre storage tank
- Powerful automatic motors with quiet operation
- Easy handling for installation below ground level
- Maximum pumping height for Sanifos 500 bladed at Q=0 l/min is 14 metres, however maximum recommend pumping height is 11 metres
- Maximum pumping height for Sanifos 500 vortex at Q=0 l/min is 13 metres, however maximum recommend pumping height is 11 metres.



Discharge Pipework
B: 40/50mm V: 50mm

Motor Power
B & V: 1500W x2

Voltages
B & V: 220-240 V/50 Hz

Tank Volume
500L

Key: B: bladed V: vortex

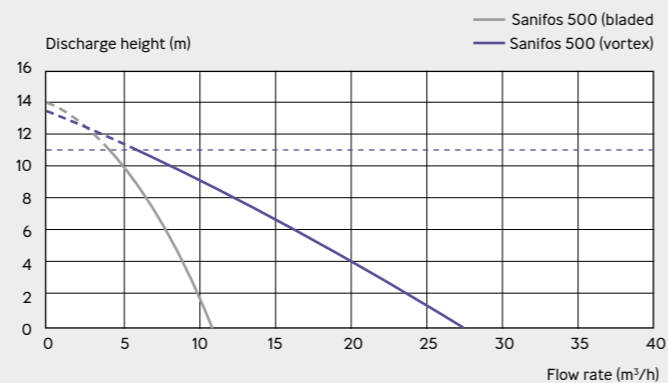
Working Waste Water Temp
70°C (max 5 minutes)

Flow Rate
B: 11m³/hr V: 27m³/hr

Inlet Pipework
50 / 40 / 100 / 110 / 125mm

Product weight
89kg

IP Rating
IP68



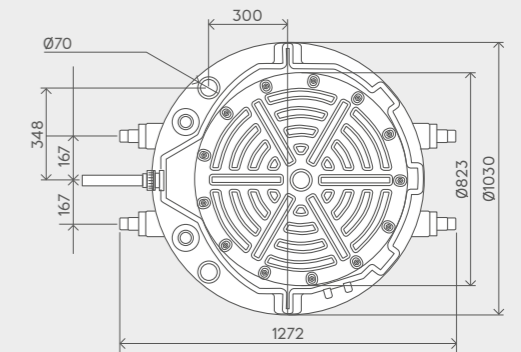
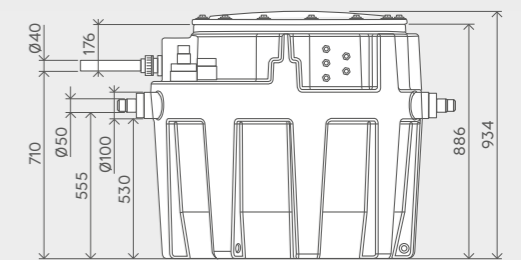
SANIFOS® 500 THREE PHASE

Product Ref: **6308**

A dual motor lifting station that can be used for pumping residential or industrial waste water when the sewer is at too high a level for natural gravity drainage.

Why choose this product?

- Designed for drainage of a single dwelling with multiple storeys, incorporating WC, bathroom, kitchen and utility room
- Contains two separate load balanced pumps with high performance vortex technology that will operate alternately for a failsafe system
- In the event of inflow overload, both motors run at the same time, or in the unlikely event that one motor fails, the other one will take over
- Alternate activation ensures even wear of motors
- Powerful vortex pumps
- 500 litre storage tank
- Powerful automatic motors with quiet operation
- Easy handling for installation below ground level
- Maximum pumping height for Sanifos 500 three phase at Q=0 l/min is 16 metres, however maximum recommend pumping height is 15 metres.



Discharge Pipework
50mm

Motor Power
2600W x2

Voltages
230-380 V/50 Hz

Tank Volume
500L

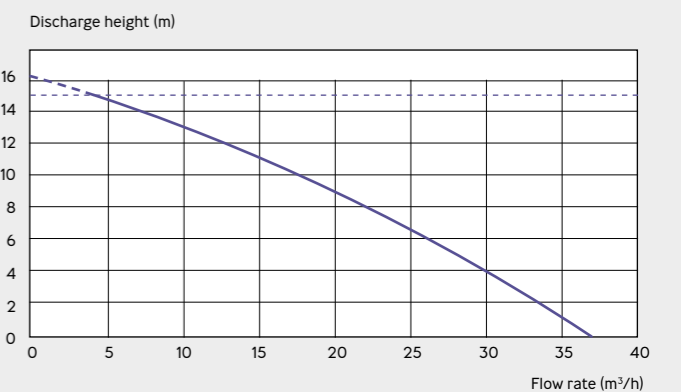
Working Waste Water Temp
70°C (max 5 minutes)

Flow Rate
36m³/hr

Inlet Pipework
50 / 40 / 100 / 110 / 125mm

Product weight
89kg

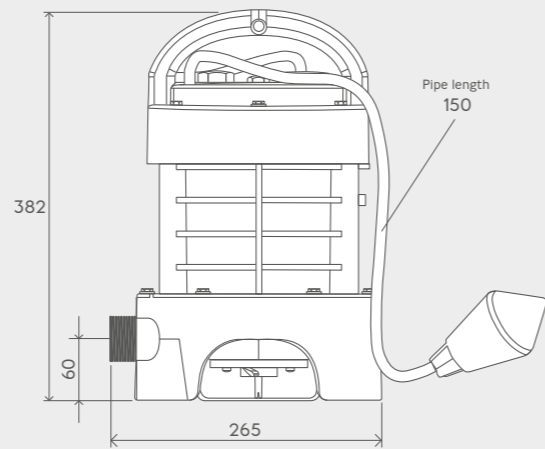
IP Rating
IP68



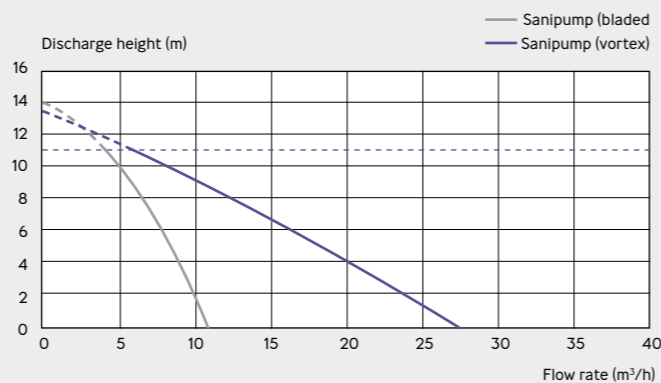
A submersible sump pump with macerator blades or vortex technology for use in domestic and commercial situations. The ideal solution for waste water and sewage disposal from underground pits and tanks.

Why choose this product?

- Black water pump for use with WC, bathrooms, kitchens and utility rooms
- Can also be used for grey water when pumping away from a pit or flood water situation
- Compact in design, easy to install and ready to use
- Automatic motor with float system activation
- Robust cutting blades to prevent clogging or powerful vortex version
- Maximum pumping height for Sanipump bladed at Q=0 l/min is 14 metres, however maximum recommended height is 11 metres
- Maximum pumping height for Sanipump vortex at Q=0 l/min is 13 metres, however maximum recommended height is 11 metres.



Discharge Pipework 40 / 50mm	Working Waste Water Temp 35°C/Max 70°C (intermittent)
Motor Power 1500W	Flow Rate 11m ³ /hour
Voltages 220-240 V/50Hz	IP Rating IP68



SANIFLO® ISOLATING VALVES

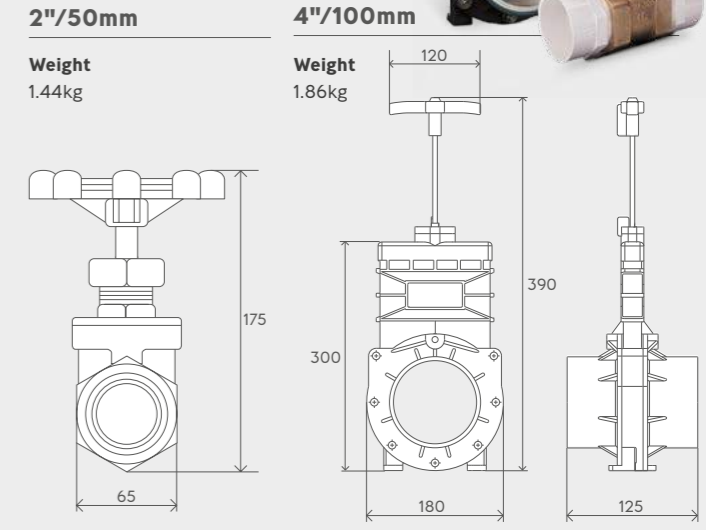
Designed for use with the Sanicubic® range, isolating valves allow you to carry out maintenance on lifting stations easily, quickly and without restrictions.

Available in 2"/50mm and 4"/100mm sizes.



Why choose this product?

- Allows convenient maintenance
- Designed specifically for use with the Sanicubic range



SANIFLO® CARBON AIR FILTER

For use with waste water and sewerage pumping systems where a vent to the atmosphere is not possible. Contains an activated carbon filter ideal for removing unpleasant odours and gaseous contaminants from an air stream. Also allows two-way air passage to enable the pump unit to breathe.



Why choose this product?

- Ideal for use with waste water pumping systems where waste water is extremely hot i.e. commercial dishwashers, glasswashers etc.
- Active carbon filter
- Neutralises unpleasant odours
- Allows pump units to breathe

Weight 0.66kg	Dimensions W 155mm / D 125mm / H125mm
-------------------------	---

SANIFOS® 110 DISCHARGE KIT

Designed for use with the Sanifos 110 to fit with 40mm pipework this external non return valve and shut off valve kit stops the return of waste back into the pump.



Why choose this product?

- A non return valve and shut off valve are essential for the Sanifos 110