



# Digital Mixer Shower



See you first thing Britain



## Shower Comfort

The HOST digital mixer puts you fully in control of your showering experience with the following features.

### Presets

Customisable presets store your favourite shower settings. Simply press one of three presets to go straight to your preferred shower.

- 'Just shower' provides regular shower settings
- 'Relax' offers a gentle spray (e.g. for rinsing)
- 'Energise' offers a powerful spray (e.g. post workout).

Alternatively simply fine tune your shower using 16 temperature and 10 flow levels. Customising your shower has never been easier with Triton's HOST.

### Easy to read display

The full text, full colour easy to read display confirms the selected preset at start up and shows temperature and flow settings. Perfect for bleary eyes first thing.

### Remote start/stop

Optional portable wireless remote start/stop with warm up function so you can turn on the shower while you grab a bit longer in bed. The warm up is completed in minutes and automatically stops should you return to the land of nod.

### Peace and quiet

The HOST digital mixer is silent running, even the pumped low pressure version that uses new quiet motor technology. So whether you're a sun-up survivor or early morning escapist, you are free to shower any time of the day or night.

## Shower Choice

Create the perfect shower for your bathroom.

### Designer finish

Choose from three colour finishes and combine with your choice of Mix & Match accessories, or select from the popular All-in-One packs.

### For all systems

There is a HOST digital mixer shower for every type of system including combi boilers. We have option for high or low pressure, so that means the HOST range is suitable for combi's, mains cylinders and gravity fed cylinders.

### Refurb or upgrade

Wireless so you are free to position the splash proof shower controller anywhere in the bathroom (within 10 metres of the mixer box). Also, no wires make it easy to upgrade any existing digital mixer shower.

### Wireless or Wired

The shower controller is powered by 3x AA lithium batteries that are easy to change. Alternatively, route a 10m cable (supplied) where there is access to wall voids.

### Product Codes

HOST Digital Mixer Single Outlet Mixer with Control	HOSDMS
HOST Digital Mixer Multi Outlet Mixer with Control	HOSDMM
HOST Digital Mixer Single Outlet Pumped Mixer with Control	HOSDMSP
HOST Digital Mixer Multi Outlet Pumped Mixer with Control	HOSDMMSP
HOST remote Start Stop with Optional Warm Up	HOSDMRSS

To coordinate your accessories

**MIX & MATCH** If you prefer you can pick individual items see [tritonshowers.co.uk](http://tritonshowers.co.uk)

**OR**

**ALL IN 1** If you prefer you can pick all in one packs see [tritonshowers.co.uk](http://tritonshowers.co.uk)





# Digital Mixer Shower



See you first thing Britain

supplied together

## HOST Black Digital Shower Controller:

- Wireless shower controller so you are free to position on the wall of your choice
- Splash proof IPX4 rated shower controller can be located anywhere
- Full text, full colour TFT digital display showing temperature & flow settings
- Three customisable presets to go straight to the preferred shower setting
- Alternatively simply over-ride settings using 16 temperature and 10 flow increments
- The shower controls are powered by 3x AA batteries (lithium recommended)
- Alternatively, route a 10m low voltage cable (supplied)

## HOST Mixer Box:

- Digital mixer showers for every type of system including combi's
- Choice of single or dual outlet models
- Silent running using a quiet motorised shuttle valve for temperature control
- Even the LP pumped version is silent running, using new digital brushless quiet motor technology
- All water connections include push-fit fittings with isolation valves
- Flying lead supplied fitted

## HOST Remote Start/Stop (optional)

- Portable wireless shower control - locate on a bedside table or on the supplied magnetic wall mount
- With additional warm up mode to bring the shower up to temperature before switching off so it's ready to use.

HOST Black Digital Shower Controller



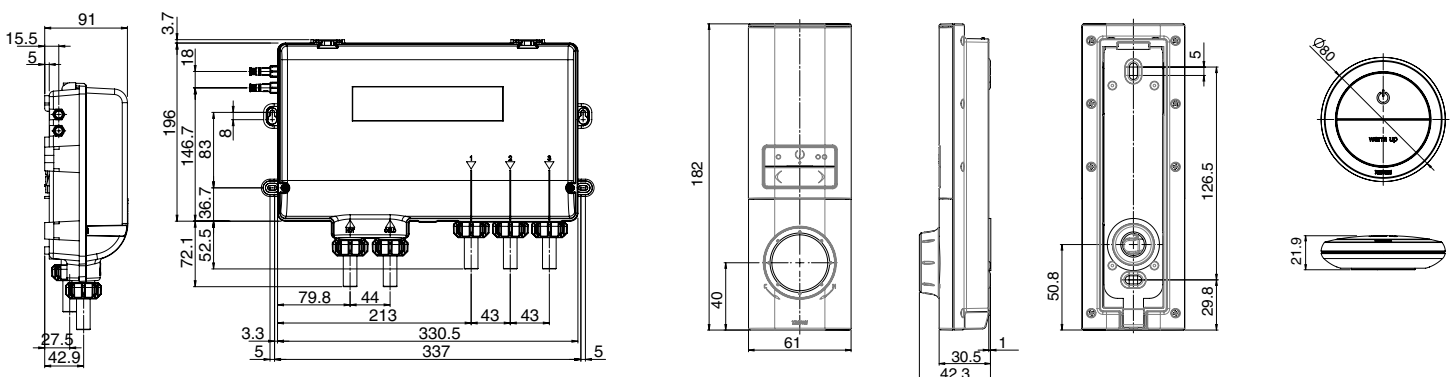
HOST Mixer Box (Multi outlet version shown here)



HOST Remote Start/Stop



		High Pressure	Low Pressure (Pumped)
Connections (mixer)	Water	Push fit with isolation valves 15mm female push fit	Push fit with isolation valves 15mm female push fit
	Electric	Flying lead (1m supplied fitted) Fused spur	Flying lead (1m supplied fitted) Fused spur
Connections (controller)	Wireless	968 MHz (up to 10m from mixer) 3x AA batteries (lithium recommended)	968 MHz (up to 10m from mixer) 3x AA batteries (lithium recommended)
	or Wired	12V 3 core data cable 4.2mm dia cable (10m supplied)	12v 3 core cable 4.2mm dia cable (10m supplied)
Power supply	Max	240V ac (50Hz) 56W	240V ac (50Hz) 123W
Running pressure	Max	5 bar	1 bar
	Min	1 bar	0.01 bar (100mm)



See [www.tritonshowers.co.uk/digital](http://www.tritonshowers.co.uk/digital)

Contact our specification team

Call: 02476 234 776 | Email: [specification@tritonshowers.co.uk](mailto:specification@tritonshowers.co.uk) | Web: [www.tritonshowers.co.uk](http://www.tritonshowers.co.uk)