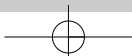


for UK use
pour ROYAUME-UNI uniquement
nur für Großbritannien
solo per UK – Regno Unito

**WALL MOUNTED
CLOSET SUITES**



Installation Instruction



CONTENTS

- GENERAL
- TECHNICAL INFORMATION
- PREPARATION
- BRACKET FIXATION
- PAN FIXATION
- IN-WALL FRAME INSTALLATION

GENERAL

The closet bowl has a horizontal outlet and should be connected to the soil pipe with a pan connector. In certain installations it may be necessary to use an additional extension piece.

It is recommended that access should be provided for maintenance.

For cistern fitting details, please refer to instructions provided with the cistern.

Do not install the cistern at a height lower than stated in the cistern instructions, otherwise the flushing action may be impaired.

It is the installers/specifiers responsibility to ensure compatability with other manufacturers cisterns.

It is recommended that fitting the closet seat be the last operation in the bathroom. This will avoid risk of scratching the seat when tiling etc.

TECHNICAL INFORMATION

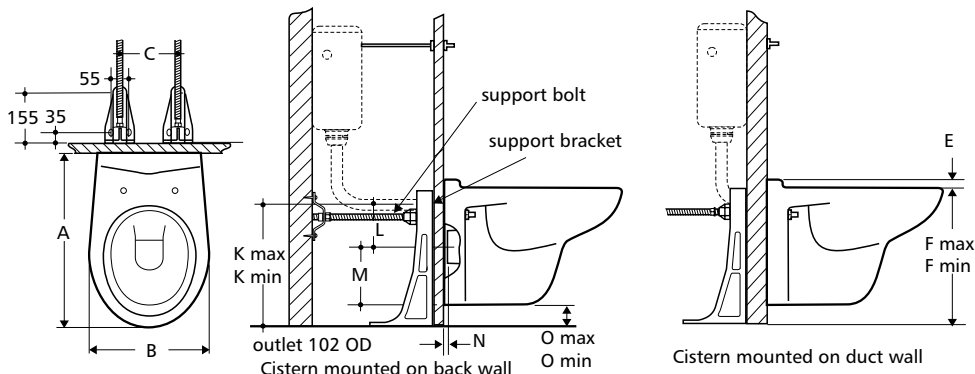


Fig. 1

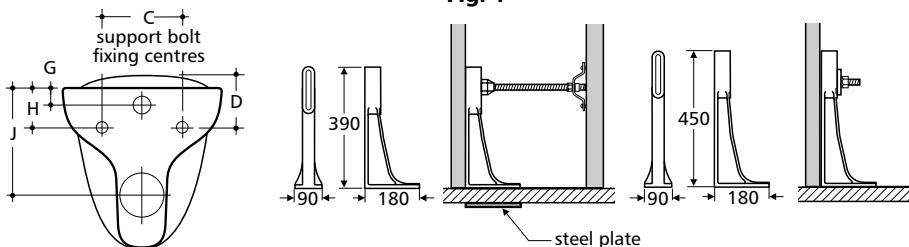


Fig. 2 - Position of holes in duct wall

Standard height support brackets (E0060)

Raised height support brackets (S9139)

All dimensions shown in millimetres.
Dimensions shown may vary within permitted tolerances.

	A	B	C	D	E	F max	F min	G	H	J	K max	K min	L	M	N	O max	O min
Accent	600	380	230	145	65	450	400	50	80	180	400	350	135	170	35	95	45
Alto	530	360	180	102	22	450	400	45	80	180	405	355	135	170	15	100	50
Braemar	520	365	230	55	20	400	400	35	30	170	370	370	135	195	15	35	35
Celano	550	360	180	90	-	455	405	55	90	190	400	350	135	152	55	63	113
Concept	540	360	180	80	-	450	400	45	80	180	405	355	135	128	30	112	62
Contour 21 std. projection	520	360	180	80	-	450	450	45	80	180	370	370	135	182	20	90	90
Contour 21 700 projection	700	360	180	115	35	450	450	45	80	180	370	370	135	185	150	85	85
Contour 21 750 projection	750	360	180	115	35	450	450	45	80	180	370	370	135	185	200	85	85
Create/Secrets	540	360	180	80	-	450	400	45	80	180	405	355	135	170	20	100	50
Delineo	515	360	180	80	-	450	400	45	80	180	405	355	135	155	30	115	65
Europa	550	360	180	115	30	455	405	50	80	140	405	355	140	180	20	85	35
Imagine	525	360	180	90	-	460	410	55	90	190	405	355	135	155	55	115	65
Jasper Morrison	565	360	180	80	-	450	400	45	80	178	405	355	133	157	30	115	65
Lagaro	560	380	180	85	-	455	405	50	85	185	405	355	135	155	90	115	65
Melrose	530	360	180	102	22	450	400	45	80	180	405	355	135	170	15	100	50
Moments	575	350	180	110	30	450	400	50	80	180	405	355	130	170	65	100	50
Monaco	530	360	180	115	30	445	395	50	85	180	395	345	135	170	20	100	50
Newson	565	380	180	90	30	490	440	50	120	220	405	355	135	150	55	120	70
Purity	560	360	180	139	48	460	410	55	89	190	405	355	135	165	15	105	55
Sandringham	520	350	180	110	25	450	400	40	85	175	410	360	135	175	20	100	50
Santorini	540	360	180	80	-	450	400	45	80	180	405	355	135	128	30	112	62
Small+	515	370	180	80	-	450	400	45	80	180	355	355	135	170	20	50	50
Space	500	385	180	110	15	470	420	65	95	200	390	340	135	170	90	100	50
Tonic	540	360	180	80	-	450	400	45	80	180	405	355	135	160	15	110	60
Twenty 20	580	410	180	97	18	450	400	45	80	180	405	355	135	160	30	110	60
Ventuno	560	355	180	90	-	455	405	55	90	190	400	350	135	160	65	55	105
Ventura	700	360	180	107	27	450	400	45	80	180	405	355	135	173	15	95	45
Washpoint	525	360	180	85	-	450	400	50	85	180	400	350	130	150	30	120	70

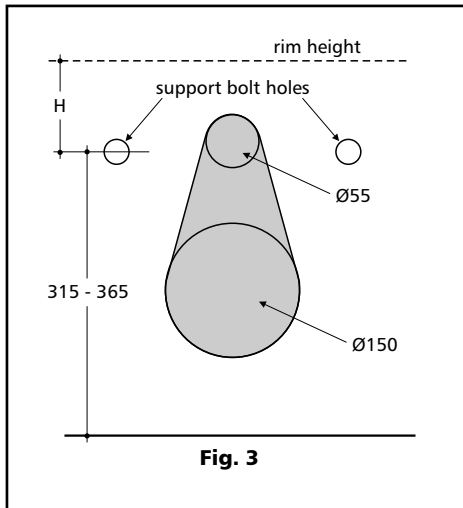
Note:-

Dimensions F, K & O max, can increase by 65mm when used with the raised height support brackets

PREPARATION

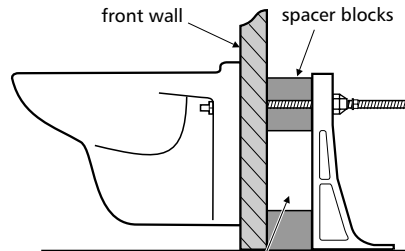
1. Cut out the front wall.

The wall mounted closet bowl is installed with the rim height as indicated in Fig. 1. Decide on rim height and mark on wall. Cut away that portion of the front wall indicated by the shaded area, Fig. 3.



IMPORTANT

When installing the pan on support brackets, it is important to ensure that there are no voids left between pan and support brackets, particularly at the fixing points and the bottom edge of the pan.



where there is a void between the pan and the bracket this must be filled with spacer blocks (as shown) or equivalent

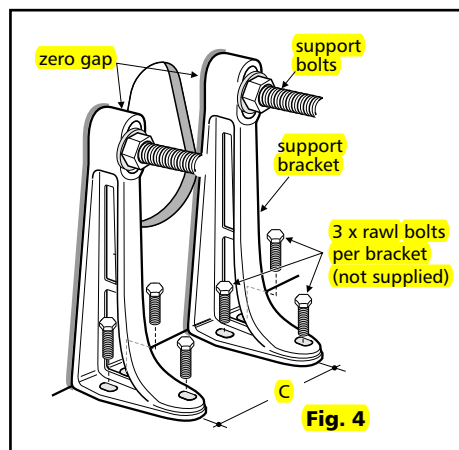
It is the installers responsibility to ensure that the floor and wall construction and the method of securing to these are capable of withstanding the loads likely to be applied to the wc pan.

FLOOR SUPPORT BRACKET FIXATION

Install support brackets as shown in (A) or (B)

(A) RAISED HEIGHT SUPPORT BRACKETS (S9139)

1. Fix the support bolts as shown in instruction supplied with brackets. Ensure that sufficient support bolt protrudes through the front wall to support the wc pan.
2. Fix support brackets to floor. The support brackets must be attached to a floor surface capable of withstanding the load. It may be necessary to reinforce a wood floor by bridging the joists with additional beams. The support brackets must be bolted into position using 10mm rawl bolts or similar, (not supplied).



(B) STANDARD HEIGHT SUPPORT BRACKET (E0060)

1. Fix support brackets to floor.
The support brackets must be attached to a floor surface capable of withstanding the load.

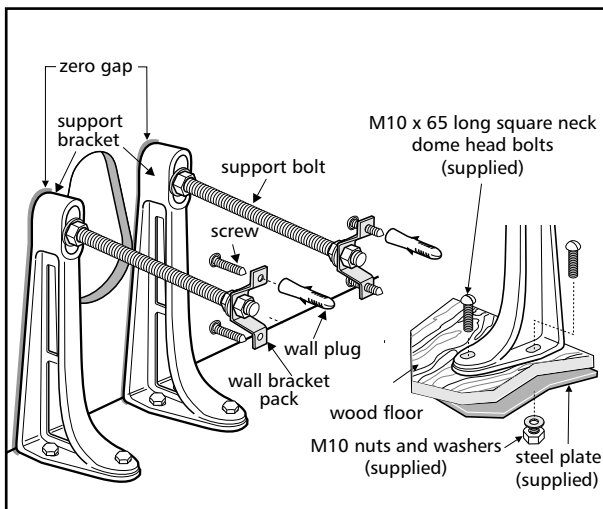
In the case of a wood floor use the steel plate and fixings supplied.

Note:- If vertical trap outlet is used then the plates may need to be trimmed to suit installation.

2. Fix support bolts to the support brackets.

Place wall brackets on support bolts and screw to the rear wall with plugs and screws supplied.

Ensure that sufficient bolt protrudes through the front wall to support the wc pan.



PAN FIXATION

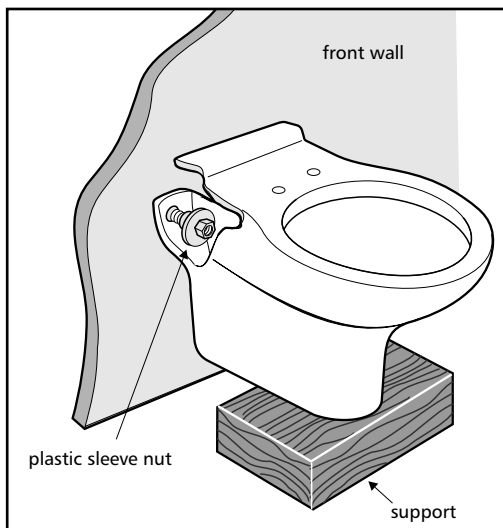
Install pan as shown in (C), (D1) or (D2)

With pan connector and flushpipe in place attach the pan to the finished wall surface.

(C) STANDARD FIXATION

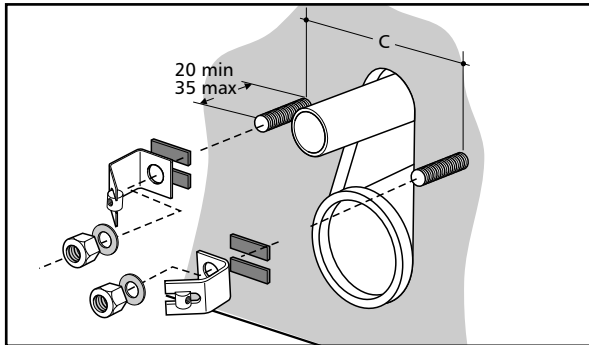
Locate closet bowl on support bolts (cut to length as necessary), and secure with plastic sleeve nuts.

If necessary provide support under pan during fixing.

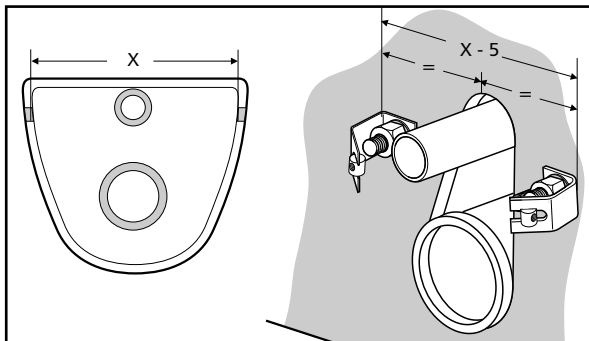


(D1) BRACKET FIXATION (T6010 and T6011)**Untiled wall**

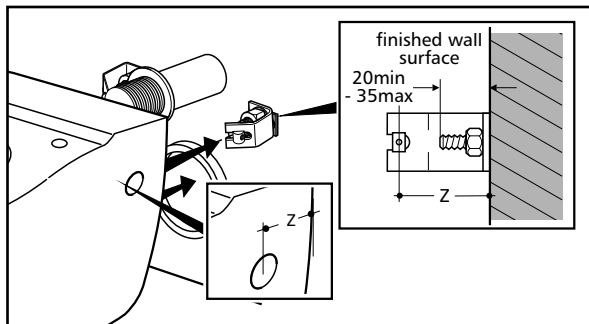
1. Fit brackets to support bolts, (cut to length as necessary), using fixings supplied.



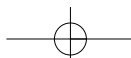
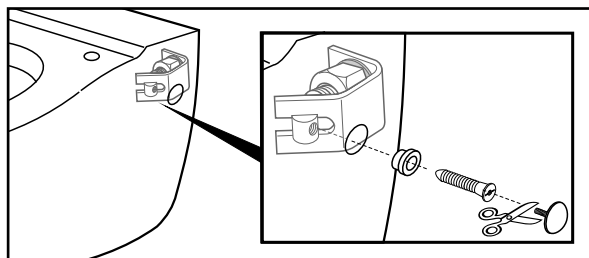
2. Adjust width of brackets.



3. Position sliders correct distance from wall.



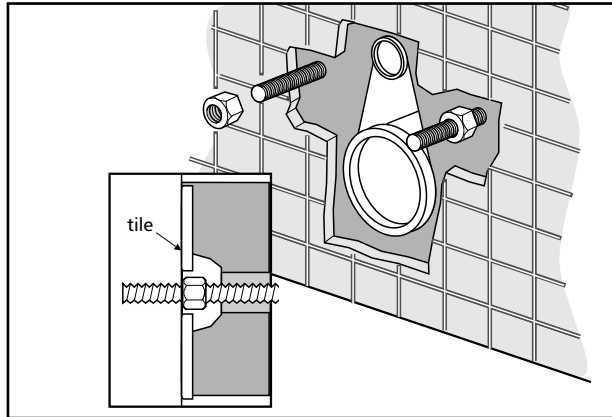
4. Fit pan and secure with fixings provided.



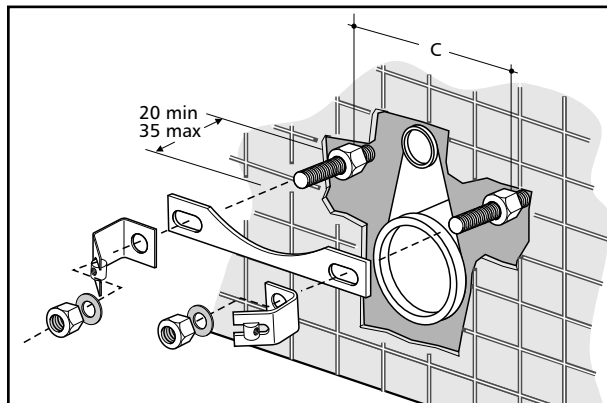
(D2) BRACKET FIXATION (T6010 and T6011)

Tiled wall

1. Fit nuts to support bolts and position front of nut flush with finished wall surface.



2. Fit brackets to support bolts (cut to length as necessary), using fixings supplied.



3. Finish assembly by following items 2 - 4 for tiled wall version.

IN-WALL FRAME INSTALLATION

For in wall frame installations refer to the fixing instructions supplied with the frame.

The Bathroom Works
National Avenue
Kingston upon Hull
HU5 4HS
England
Telephone: (01482) 346461
Telefax: (01482) 445886.

CUSTOMER CARE HELPLINE
0870 1296085

CUSTOMER CARE FAX LINE 01482 499611
email: ukcustcare@IdealStandard.com

We pursue a policy of continuing improvement in design and performance our products.

The right is, therefore, reserved to vary specifications without notice.

Ideal Standard (UK) Ltd.

4162 06/09