

# Concept Freedom 60cm Accessible Washbasin

## ILLUSTRATED

- E5499** Concept Freedom 60cm accessible washbasin, one taphole
- E0157** Wall fixing set
- B9915** Concept Blue washbasin mixer 1 hole with pop-up waste
- E0079** Trap 1¼" Contemporary metal bottle, 75mm seal

## ILLUSTRATED PRODUCT DETAILS

### Sizes

**E5499** w:600 x d:555

### Weights

**E5499** 14.00 KG

**E0157** 0.16 KG

**B9915** 1.89 KG

**E0079** 1.45 KG

### Materials

**E5499** Vitreous China


**E0157** Metal

**B9915** Chrome Plated Brass

**E0079** Chrome Plated Metal

### Finishes

**E5499**  White (01)

**E0157**  Neutral / No Finish (67)

**B9915**  Chrome (AA)

**E0079**  Chrome (AA)

### Capacity

**E5499** 4 litres

### Flow rates

**B9915** 5 Litres per minute @ 3 bar pressure

### Designer

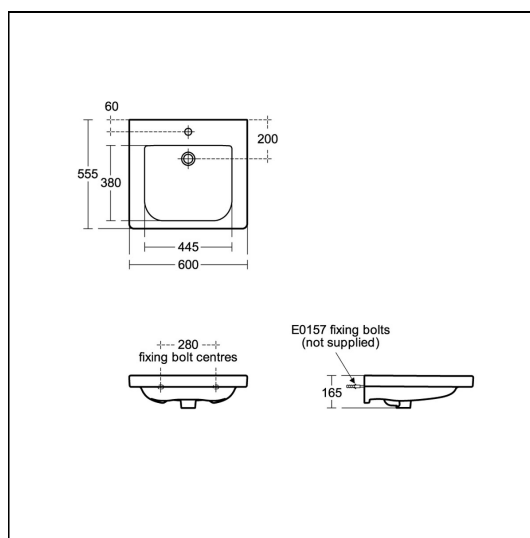
Robin Levien, RDI

### Standards

Washbasin to BS EN 14688 & BS EN 31. Conforms to Doc M and HTM 04

### Special Notes

Suitable for use in public areas and Doc M. Satisfies DDA requirements. Washbasin wall mounted using E0157 rag bolts. Please refer to NBN 00-10 Part C sanitary ware assembly for installation heights in healthcare applications.



## ACCREDITATIONS

**E5499(01)**



**B9915(AA)**

