

Ceraline 2 Tap Hole Bath Filler

ILLUSTRATED

BC188 Ceraline two tap hole bath filler dual control

ILLUSTRATED PRODUCT DETAILS

Weights

BC188 1.71 KG

Finishes

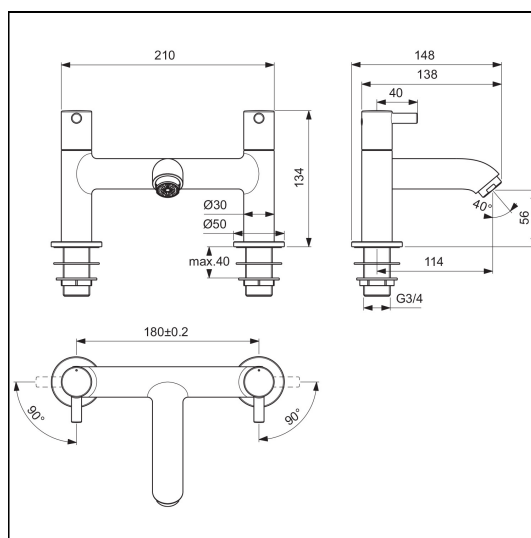
BC188  Chrome (AA)

Materials

BC188 Chrome Plated Brass

Special Notes

Suitable for balanced/unbalanced supplies. Inlets 3/4in BSP male coned for copper. Supplied with brass back nuts. Consideration should be given to safe hot water delivery and the use of an appropriate temperature reduction device.



ACCREDITATIONS



1810014