

# Ceraflex 2 Tap Hole Bath Filler

## ILLUSTRATED

**B1824** Ceraflex 2 tap hole bath filler dual control

### ILLUSTRATED PRODUCT DETAILS

**Weights**

**B1824** 0.01 KG

**Finishes**

**B1824**  Chrome (AA)

**Materials**

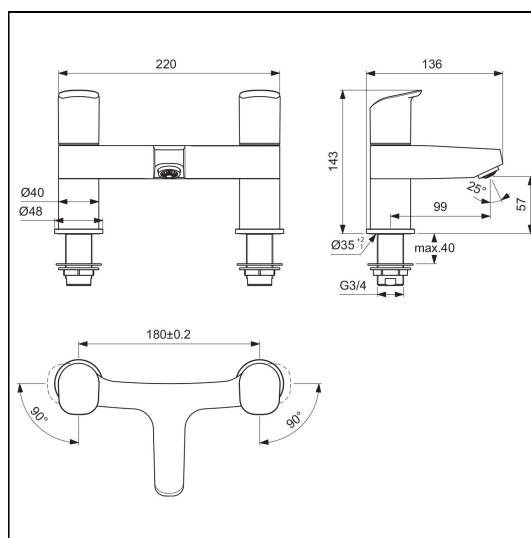
**B1824** Chrome Plated Brass

**Designer**

Artefakt Industriekultur

**Special Notes**

Suitable for balanced/unbalanced supplies. Inlets 3/4in BSP male coned for copper. Supplied with brass back nuts. Consideration should be given to safe hot water delivery and the use of an appropriate temperature reduction device.



### ACCREDITATIONS