

# Ceraflex Basin Mixer with pop up waste

## ILLUSTRATED

**B1811** Ceraflex basin mixer with pop up waste

### ILLUSTRATED PRODUCT DETAILS

#### Weights

**B1811** 1.53 KG

#### Finishes

**B1811**  Chrome (AA)

#### Materials

**B1811** Chrome Plated Brass

#### Flow rates

**B1811** 5 Litres per minute @ 3 bar pressure

#### Designer

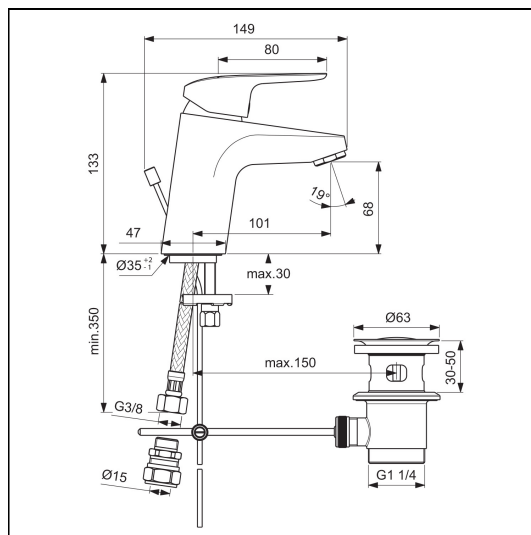
Artefakt Industriekultur

#### Standards

BS EN 817

#### Special Notes

Suitable for balanced supplies. Inlets with flexible hoses and connections for 15mm copper tails. Consideration should be given to safe hot water delivery and the use of an appropriate temperature reduction device. Fitted with a 5 lpm outlet flow regulator.



### ACCREDITATIONS

**B1811(AA)**



1810080

### FEATURES

