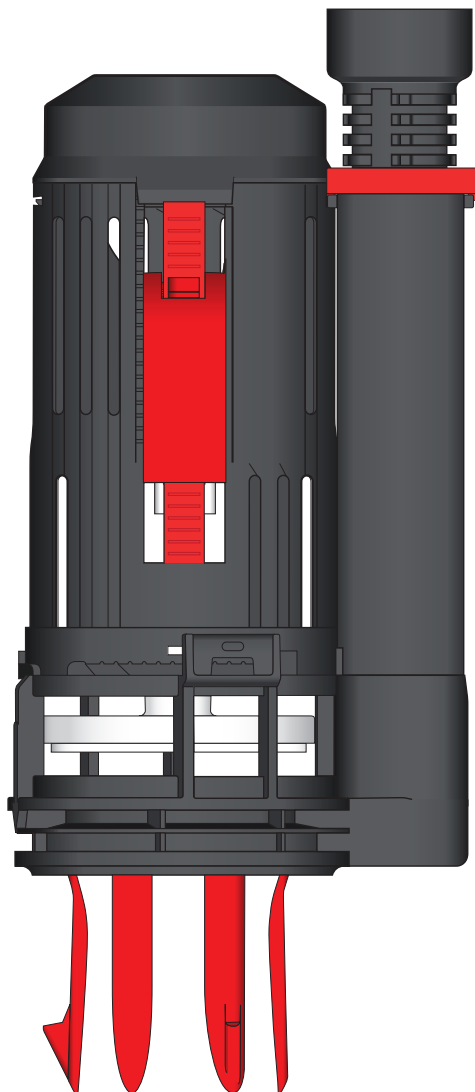


FLUSHING VALVE

Close Coupled Cisterns Only

► Quick Fit
Fitting Instructions



Tools required:

- Sponge
- Bucket
- Spanner
- Cloth

Contents:

- | | |
|------------------------|-----------|
| Pre-installation | Page 2 |
| Removal of base | Page 3 |
| Fitting of Flush Valve | Page 4-8 |
| Trouble shooting | page 9-10 |

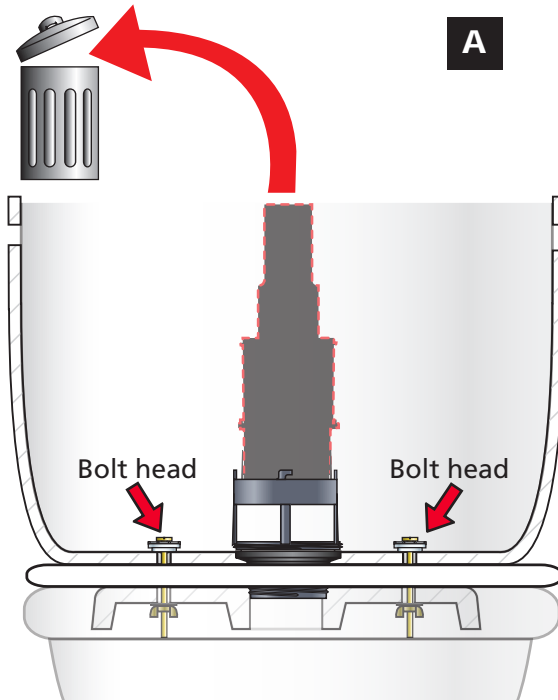
Code	217854
Issue No.	1
Date	Aug/2016

Macdee
wirquin

SANITARY EQUIPMENT SPECIALIST

PRE-INSTALLATION

- 1 Turn off water supply to cistern.
- 2 Remove old push button from cistern lid and remove cistern lid.
- 3 Before emptying the cistern of water, mark the water level inside the cistern (if the cistern does not have water line inside cistern) and empty the cistern of water by unclipping old flush valve from the base (see pic A).
- 4 Make sure bolt heads can be seen inside the cistern. Quick-Fit will not work with plated cisterns.



Note:
Remove the valve body only, not the base.

-Only works with cisterns attached with bolted kits.

REMOVAL OF BASE

- 1 Use suitable tool to loosen the old base from the cistern (Pic B). Do not remove the base at this stage.
- 2 Once the base is loose, insert the backnut retaining holder (Fig 1 - to look like pic C).

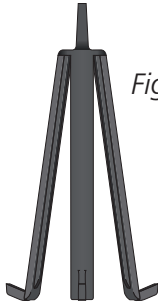
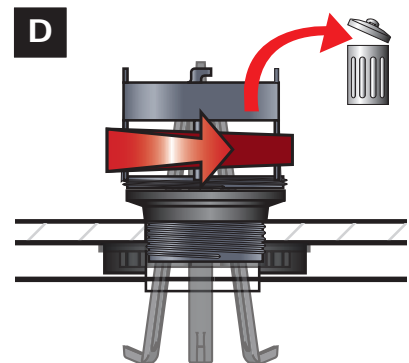
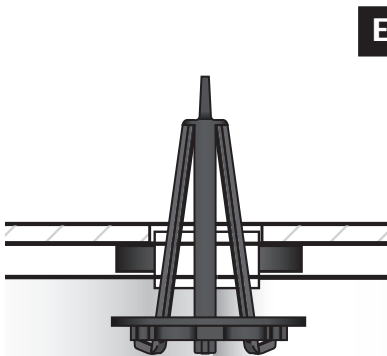
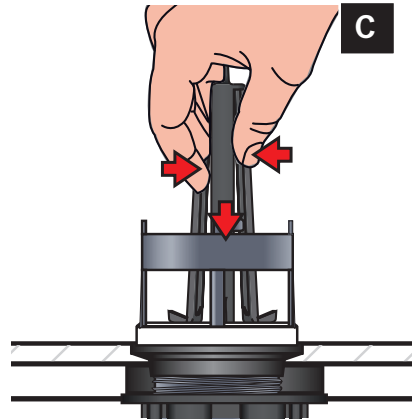
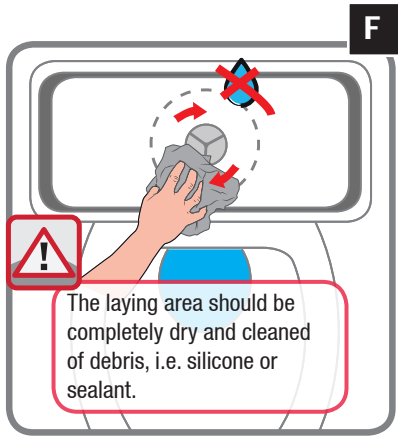


Fig 1

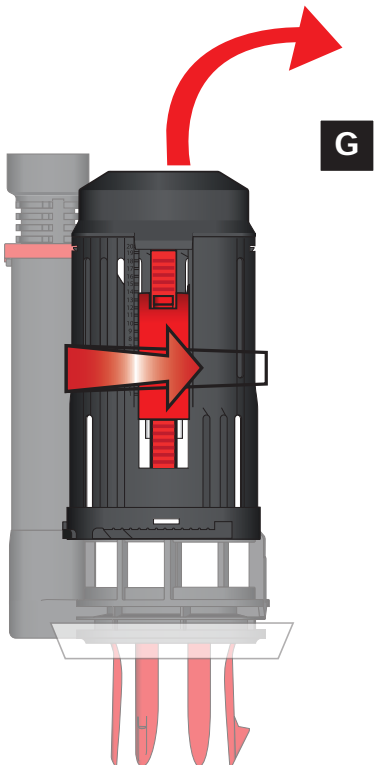
- 3 Remove the old base and discard (Pic D) so backnut is retained on holder (see pic E).



FITTING OF FLUSH VALVE



- 1** - Use sponge to take residual water out of the inside of the cistern.
- Clean the surface from any silicone or debris.
- Use the cloth to completely dry the area (see pic F).



- 2** Take new Quick Fit flush valve out of box.
- 3** Remove top section (Flush Valve) from the base, (see pic G).

4 Remove and discard seal protector, (see pic H).

5 Remove film off sealant, (see pic I).

6 Put base of flush valve in the cistern outlet hole*. Press the base into place and remove backnut retaining holder, straight up (see fig 2) making sure that the backnut is located on the red clips. (See pic J).

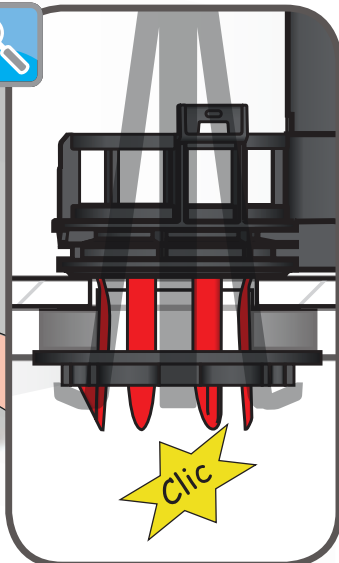
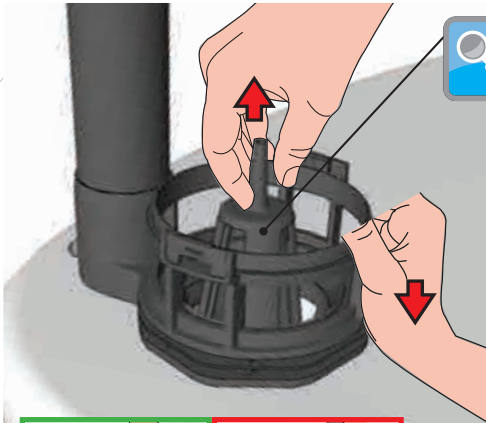
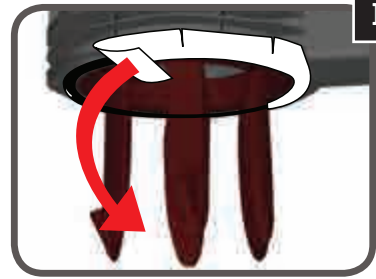
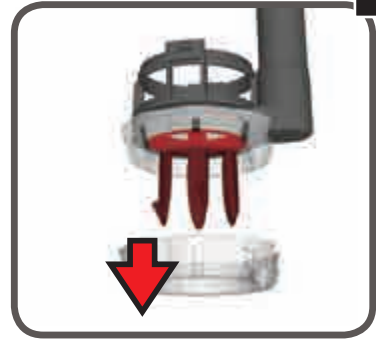
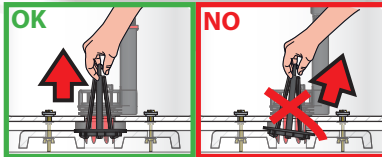


Fig 2



**Tip: Make sure the overflow pipe is not over the fixing bolts and opposite side to the inlet valve .*

K



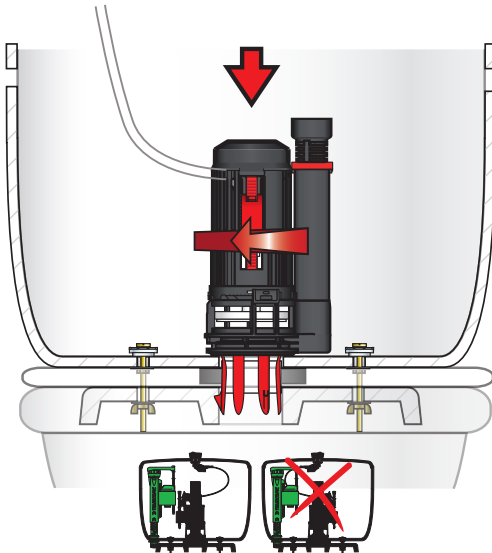
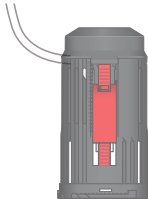
Press strongly on the base with a cloth for 30 seconds and wait 3 minutes.

- 7** Place the cloth over the base and strongly press in place for 30 seconds, and then leave for 3 minutes, (see pic K).



Important information
never use boss white or silicone based products on the flushing valve, the sealant will not stick to silicone.

L



- 8** Clip the flushing valve back into the base. Make sure that the cable is free and not kinked, avoid any obstruction (i.e. inlet valve - walls of cistern).

- 9** Set internal overflow 20mm above water line, (see pic M).

M

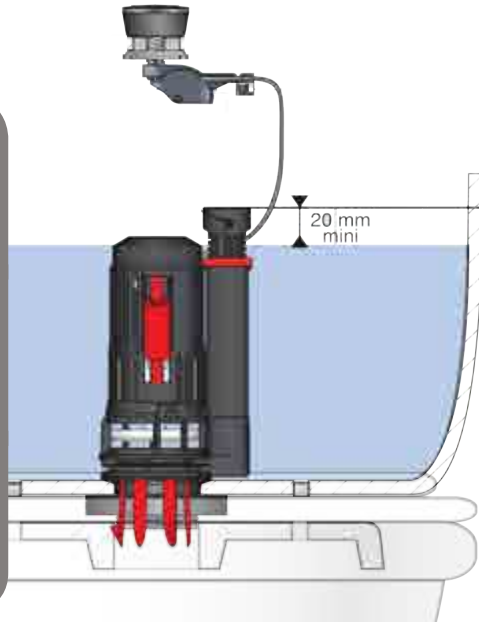
1 Unclip



2 Adjust the overflow up or down

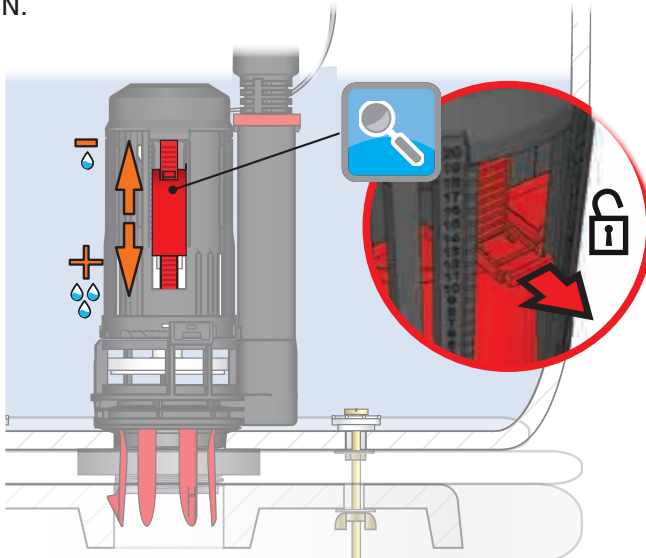


3 Clip in place



- 10** Set part flush as demonstrated in pic N.

N

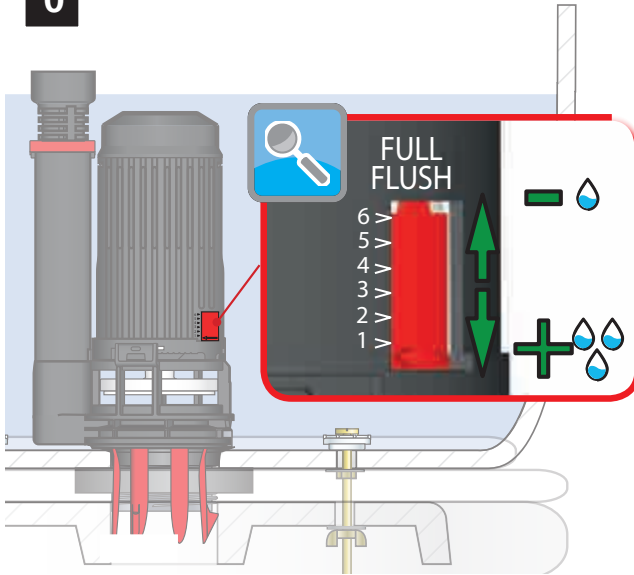


- Unclip

- Adjust up or down

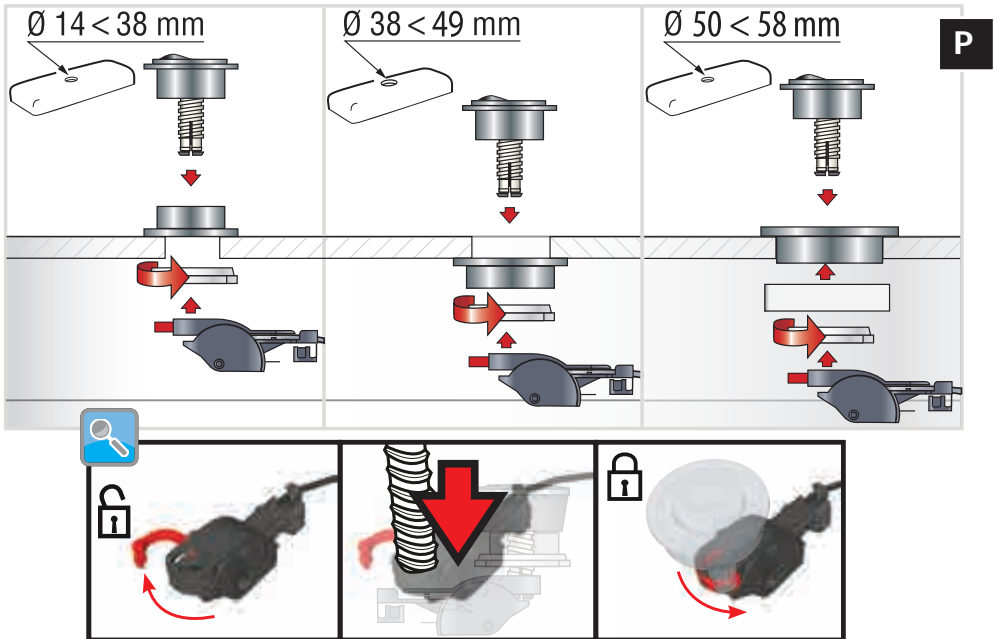
- Re-clip

0



11 Set full flush as demonstrated in pic O.

12 Fitting of push button. Check the size of the hole and fit as Pic P.



TROUBLE SHOOTING

OBSERVATION	PROBLEMS	SOLUTION
Water is leaking back into the pan	The butyl on the base is not making a seal.	Unclip push button and remove cistern lid. Remove top part of flush valve and check the base and sealant is secure. If the base moves, insert backnut retaining holder (picture C) and remove base by rocking side to side, do not pull straight out. Push sealant back into place around base and repeat from (picture D).
	The cable is obstructed.	Pick up the cistern lid slightly and push button to check that the flush valve is moving up and down and not obstructed by the inlet valve or touching the cistern wall, or a kinked or twisted cable.
	The water level in the cistern is above the internal overflow.	Check (Picture M) has been followed
	The inlet valve will not shut off.	Check the inlet valve is not obstructed by the Quickfit.
Water is not flushing the pan clean.	When flushed only getting a small flush into the pan.	Check flush volume selection on Page 7 and 8 is set correctly.
Cannot remove old base.	Base is attached with silicone.	Use spanner to extract tight bases (picture B).
	Not enough room to turn the old base in the cistern.	If the overflow is attached to the old base this will need cutting off. (Take a metal spatula, heat it up and cut off the overflow). Then start at 'Removal of base' section. (See video on YouTube) 
The valves base will not fit.	The red prongs are too long to fit the base into the cistern.	Break off one of the red prongs on the base, (one without a hook). Place this to the back of the pan and follow from (Picture J). 
	The whole base will not fit.	Make sure the outlet is 2" it will not fit in 1 1/2" outlets.
Not flushing	Button is not working.	Check picture P, unclip the red part, locate the button and screw into the cable base. Lock the red clip in place and check flushing.
		Make sure the cable is free and not kinked, avoid any obstruction (i.e. inlet valve or wall of cistern).
Backnut fell down pan	Backnut fell off backnut retaining tool.	Hook the backnut back onto the backnut retaining tool and continue from (picture E).
		The backnut if possible can be removed through the cistern outlet hole.
Water leaking	Water leaking between cistern and pan.	Check the cistern is attached with a bolted kit. (page 2 point 4) Quick-Fit will not work with plated kits.

WIRQUIN LTD - Warmsworth Halt Industrial Estate - Warmsworth - Doncaster DN4 9LS - UNITED KINGDOM
Sales / Aftersales: ☎ 0044 (0)333 222 4488 ✉ sales@wirquin.co.uk / aftersales@wirquin.co.uk
www.wirquin.co.uk

Macdee
wirquin

SANITARY EQUIPMENT SPECIALIST