

ALPHA1



Product description

The ALPHA1 model B can be integrated in all kinds of heating applications with either variable or constant flow rate. High-efficiency ECM (Electronically Commutated Motor) pumps, such as ALPHA1, must not be speed-controlled by an external speed controller varying or pulsing the supply voltage.

Features

- Three constant pressure curves
- Three constant speed curves
- Three proportional pressure curves
- Low EEI (Energy Efficiency Index)
- Maintenance-free
- Low noise level
- Very simple installation.

Technical data

Liquid temperature

Ambient temperature: 2-110 °C and 0-40 °C.

System pressure

PN 10: Maximum 1.0 MPa (10 bar).

Inlet pressure

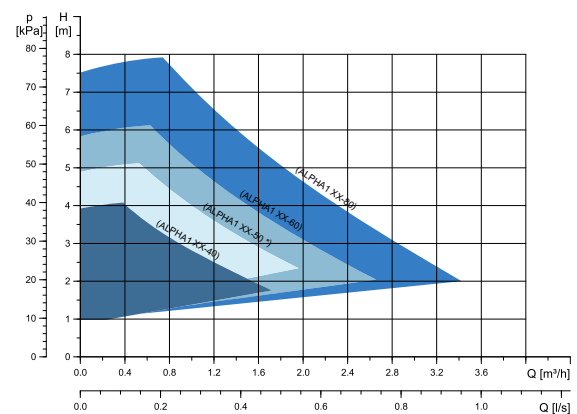
To avoid cavitation noise and damage to the pump, the following minimum pressures are required at the pump inlet port.

Liquid temperature	75 °C	95 °C
Pressure	0.005 MPa 0.05 bar	0.05 MPa 0.5 bar

Electrical data

Supply voltage	1 x 230 V - 10 %/+ 10 %, 50/60 Hz, PE
Motor protection	The pump requires no external motor protection.
Enclosure class	IPX4D
Relative humidity	Maximum 95 %
Insulation class	F
Specific EEI	≤ 0.20

ALPHA1 model B performance range

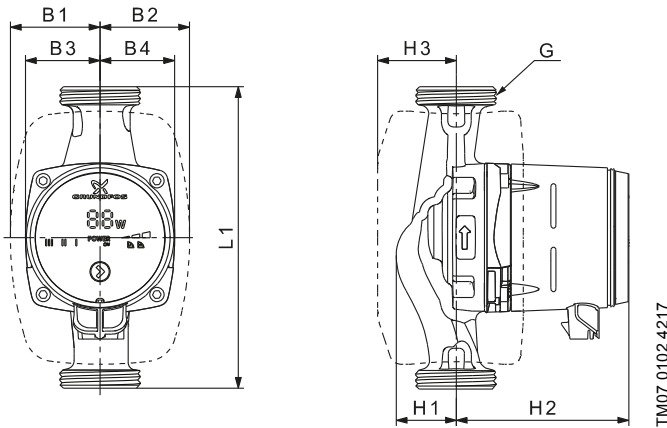


TM07 0060 4017

Type key

Example	ALPHA1	25 - 40	180
Pump range	_____ _____ _____		
Nominal diameter (DN) of inlet and outlet ports [mm]	_____ _____ _____		
Maximum head [dm]	_____ _____ _____		
[]: Cast-iron pump housing N: Stainless-steel pump housing	_____ _____ _____		
Port-to-port length [mm]	_____ _____ _____		

Dimensions



Pump type	Dimensions [mm]										Weights [kg]		Ship. vol. [dm ³]
	L1	B1	B2	B3	B4	H1	H2	H3	G	Net	Gross		
ALPHA1 15-40	130	54	54	44	44	36	104	47	G1	1.7	1.9	4.00	
ALPHA1 15-50*	130	54	54	44	44	36	104	47	G1	1.7	1.9	4.00	
ALPHA1 15-60	130	54	54	44	44	36	104	47	G1	1.7	1.9	4.00	
ALPHA1 15-80	130	54	54	44	44	36	104	47	G1	1.7	1.9	4.00	
ALPHA1 25-40	130	54	54	44	44	36	104	47	G1½	1.9	2.0	4.00	
ALPHA1 25-40 N	130	54	54	44	44	37	104	47	G1½	2.0	2.1	4.00	
ALPHA1 25-40 N*	180	54	54	44	44	36	104	47	G1½	2.0	2.1	4.00	
ALPHA1 25-40 N	180	54	54	44	44	37	104	47	G1½	2.1	2.3	4.00	
ALPHA1 25-50*	130	54	54	44	44	36	104	47	G1½	1.9	2.0	4.00	
ALPHA1 25-50 N*	130	54	54	44	44	37	104	47	G1½	2.0	2.1	4.00	
ALPHA1 25-50*	180	54	54	44	44	36	104	47	G1½	2.0	2.1	4.00	
ALPHA1 25-50 N*	180	54	54	44	44	37	104	47	G1½	2.1	2.3	4.00	
ALPHA1 25-60	130	54	54	44	44	36	104	47	G1½	1.9	2.0	4.00	
ALPHA1 25-60 N	130	54	54	44	44	37	104	47	G1½	2.0	2.1	4.00	
ALPHA1 25-60	180	54	54	44	44	36	104	47	G1½	2.0	2.1	4.00	
ALPHA1 25-60 N	180	54	54	44	44	37	104	47	G1½	2.1	2.3	4.00	
ALPHA1 25-80	130	54	54	44	44	36	104	47	G1½	1.9	2.0	4.00	
ALPHA1 25-80 N*	130	54	54	44	44	37	104	47	G1½	2.0	2.1	4.00	
ALPHA1 25-80	180	54	54	44	44	36	104	47	G1½	2.0	2.1	4.00	
ALPHA1 25-80 N*	180	54	54	44	44	37	104	47	G1½	2.1	2.3	4.00	
ALPHA1 32-40	180	54	54	44	44	36	104	47	G2	2.1	2.3	4.00	
ALPHA1 32-50*	180	54	54	44	44	36	104	47	G2	2.1	2.3	4.00	
ALPHA1 32-60	180	54	54	44	44	36	104	47	G2	2.1	2.3	4.00	
ALPHA1 32-80	180	54	54	44	44	36	104	47	G2	2.1	2.3	4.00	

* Not available in all countries.



For further product documentation and product numbers, see below.
<http://net.grundfos.com/qr/i/99352875>

99352862 0118
 ECM: 1224779