

**BAXI**  
Make it easy



ErP Compliant 

# Baxi 600, 400 & 200 boilers

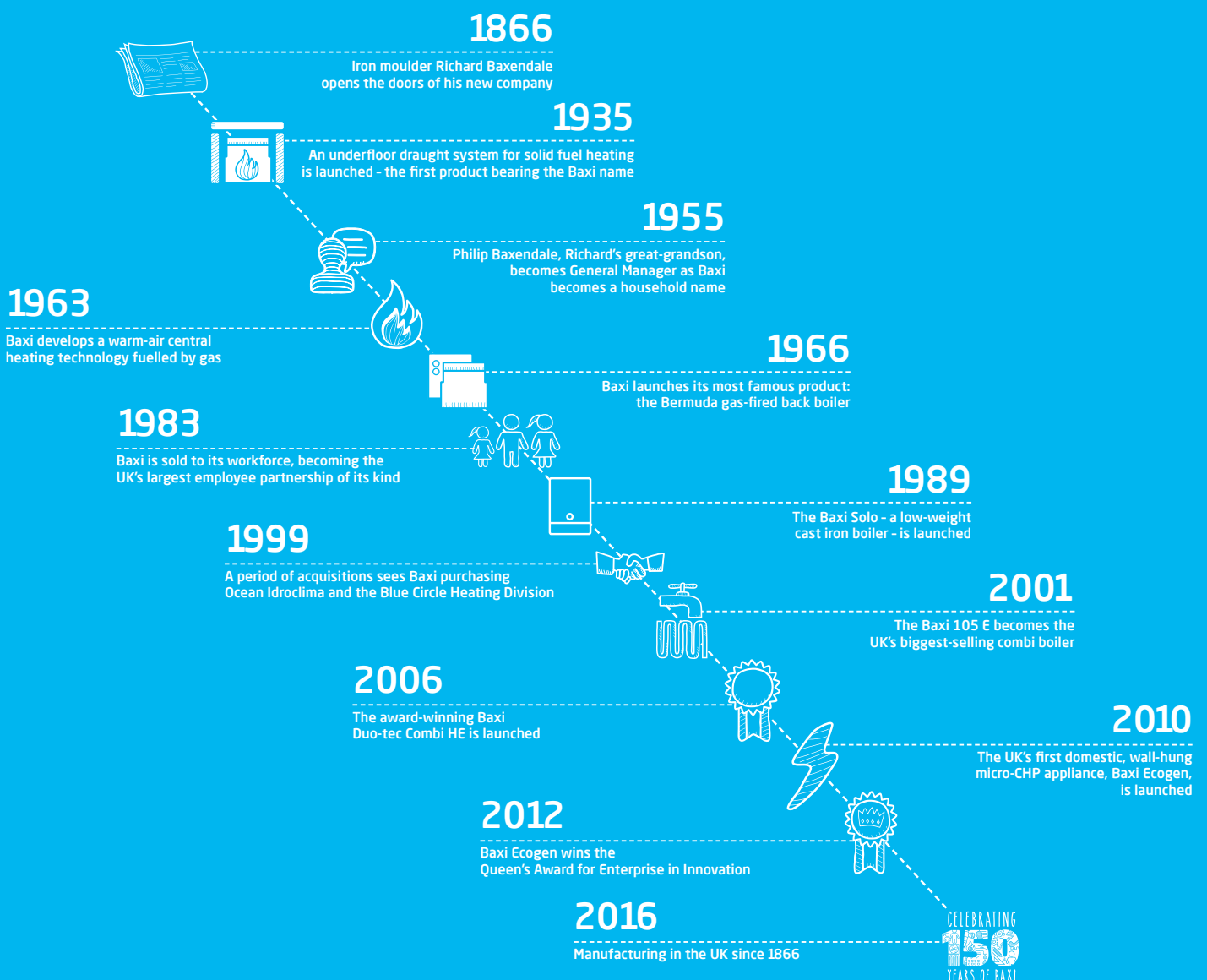
Range guide

# A brand you can trust

Baxi has been manufacturing in the UK for over 150 years. It has a heritage of providing cutting edge heating products for homes and is the best known boiler manufacturer amongst homeowners.†

We continue to invest in the business to provide reliable, energy efficient heating and hot water products, backed by industry-leading customer support, nationwide availability of parts and training.

## A brief history of Baxi



†According to independent research.

# Baxi make it easy



We are committed to making your experience with Baxi as easy as possible.

## Reliability

Every Baxi boiler has to pass a full function test using gas, water and electricity, before it leaves the production line.

## Warranty

We are so confident in the reliability of our boilers that we provide industry-leading warranties, providing peace of mind for you and your customers. And our warranty terms and conditions have been approved by the Plain English Campaign so they are easy to understand.

## Efficiency

All Baxi boilers are Energy Saving Trust endorsed, helping households to save money on their gas bills.

## Support

We are there for you – providing practical training, technical help and genuine parts – when you need us.

## Easy to install

Our boilers come with a pre-plumbing jig, complete with preformed copper pipe tails, built-in filling loop and one metre mains cable to save you time and money during installation.



**3yr**  
WARRANTY\*

**COMPACT  
SIZE**

**OPTIONAL  
STAND  
OFF  
FRAME**

**SIMPLE  
HANGING  
BRACKET**

## Key features

Outputs: 24 and 28kW

Compact size

26kg lift weight

Simple hanging bracket

Modular fan gas air unit

Easily accessible electrical connections

Optional stand off frame

Industry leading choice of flue lengths, bends and accessories

Vertical packaging

## Benefits

To suit most property sizes

Can be installed in a 290mm deep cupboard

Easier to manoeuvre

For easy installation

For easy maintenance

For easy installation

Neater installations for hidden pipework

For versatile siting and easy replacement

Easy to transport and unpack

\*Subject to registration and an annual service. Terms and conditions apply. Visit [baxi.co.uk/warranty](http://baxi.co.uk/warranty)



*I really like the way this boiler is put together. Everything lined up really well and I had it on the wall in no time. It is light and easy to handle, and provided plenty of hot water very quickly.*

**Andrew Lynch**  
A Lynch Plumbing and Heating Ltd, Chorley

# Baxi 200 Combi

The Baxi 200 is a high efficiency boiler; simple to use and provides plenty of heating and hot water. The boiler is compact and small enough to fit in a kitchen cupboard and has the option to be operated using a smart phone or tablet. The reliable Baxi technology is backed by a three year parts and labour warranty\* for peace of mind.

## Accessories and controls

The following accessories are compatible with the Baxi 200 Combi



**7649277**  
Baxi uSense smart thermostat



**7683084**  
Baxi IFOS (In Flue Outdoor Sensor)



**7658276**  
Baxi plug-in 24 hr single channel mechanical timer



**7658523**  
Baxi plug-in 7 day single channel digital timer



**7658781**  
Baxi plug-in receiver 24 hr single channel programmable mechanical room thermostat



**7658789**  
Baxi plug-in receiver 7 day RF digital single channel programmable room thermostat



**7212438**  
Baxi single channel wired programmable room thermostat



**7212444**  
Baxi single channel wired timer



**720971601**  
Baxi room thermostat

# Technical specifications

HOW WE MAKE IT EASY

Easy to manoeuvre at only 26kg.



## Boiler dimensions

Width [A]	Height [B]	Depth [C]
395mm	700mm	279mm

## Service clearances

Side [D]	Upper [E]	Lower [F]	Front [G]
5mm*	178mm*	200mm*	6mm in operation,* (*450mm for servicing purposes)

\*These are the minimum recommended dimensions. Greater clearance will aid installation and maintenance.



## What's in the box?



Baxi 200 Combi boiler



Wall mounted bracket



Literature and fitting pack



Copper pipe tails

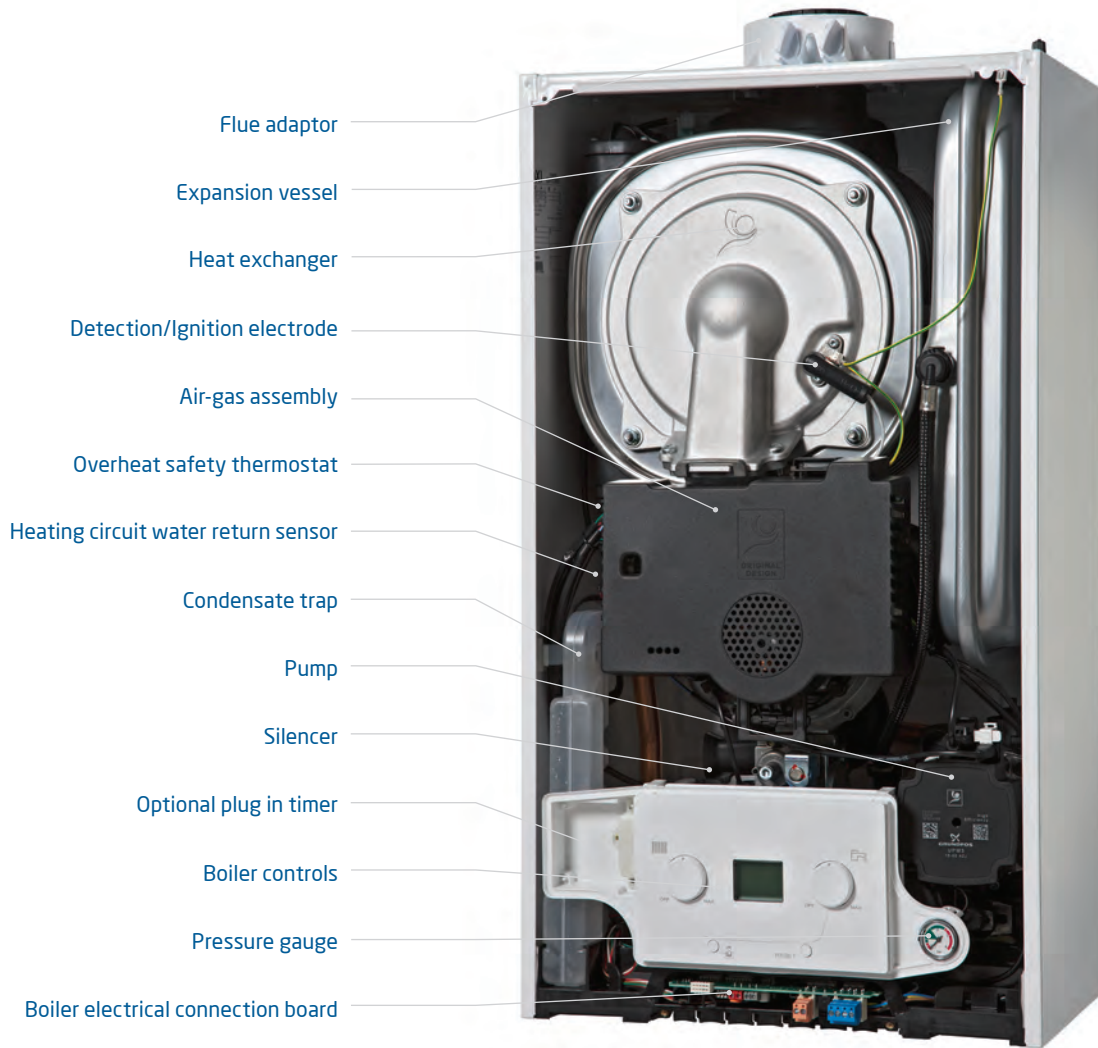
# Technical details

## Baxi 200 Combi

		24 Combi	28 Combi
Sales code	Boiler only	7656160	7656161
<b>Accessories and controls</b>			
Concealed user controls		X	X
Operating mode selector switch with reset		✓	✓
User adjustable DHW temperature	Range - 35°C to 60°C	✓	✓
User adjustable CH temperature	Range - 25°C to 80°C	✓	✓
Temp/status/fault diagnosis display		LCD display	LCD display
Integral 24 hr electro-mechanical timer (247206)		Optional	Optional
Plug-in 24 hr mechanical timer combi (7658276)		Optional	Optional
Plug-in 7 day digital timer combi (7658523)		Optional	Optional
Plug-in receiver 24 hr RF programmable mechanical room thermostat-combi (7658781)		Optional	Optional
Plug-in receiver 7 day RF digital programmable mechanical room thermostat-combi (7658789)		Optional	Optional
Single channel 7 day wired programmable room thermostat-combi (7212438)		Optional	Optional
Single channel wired timer (7212444)		Optional	Optional
Room thermostat (720971601)		Optional	Optional
Baxi 200 and 400 stand off kit (7659335)		Optional	Optional
Multifit filling loop (248221)		Optional	Optional
Baxi IFOS (7683084)		Optional	Optional
Baxi Easy-Fill (7665482)		Optional	Optional
<b>ErP Product Information</b>			
Seasonal Space Heating Energy Efficiency	%	93	93
NOx	mg/kWh	38	40
Sound power level, indoors	LWA dB	48	50
Space heating efficiency class		A	A
Water heating declared load profile		XL	XL
Water heating efficiency class		A	A
Heat input CH	kW (Max) Gross (QnHs)	22.87	27.42
	kW (Min) Gross (QnHs)	5.44	5.44
Heat output CH (non condensing) factory setting	kW (Max) (Pn)	20	20
	kW (Min) (Pn)	4.8	4.8
Heat output CH (condensing) factory setting	kW (Max) (Pnc)	21.8	21.8
	kW (Min) (Pnc)	5.2	5.2
<b>Gas</b>			
Gas supply pipe size	(mm)	22	22
Inlet supply pressure (natural gas)	mbar (nominal)	20	20
Maximum Gas Rate (nat Gas after 10 mins)	m <sup>3</sup> /hr	2.61	3.06
SAP 2009 annual efficiency (PCDB / SEDBUK)	%	89	89
NOx class		5	5
<b>Mechanical and hydraulic</b>			
Heat input domestic hot water (DHW)	kW max gross (QnWHs)	27.4	32.1
Heat output domestic hot water	kW max	24	28
Maximum DHW flow rate (Delta T @ 35°C max)	l/min	9.8	11.5
Minimum DHW flow rate required	l/min	2	2
Minimum operating DHW pressure required	bar	0.15	0.15
Maximum DHW system pressure	bar	8	8
Safety discharge pressure	bar	3	3
Compartment ventilation required		X	X
Flow/return pipe size	(mm)	22	22
Temporary filling loop supplied		X	X
Integral expansion vessel	Size (litres)	7	7
CH system inhibitor required		✓	✓
Condensate discharge pipe size	(mm)	21.5	21.5
<b>Electrical</b>			
Electrical supply	Volts/Hz	230V/50Hz	230V/50Hz
Permanent live required		✓	✓
Electrical cable required	core	3 x 0.75	3 x 0.75
Power consumption when firing	Watts	84	94
External fuse rating	Amps	3	3
Internal fuse rating - connection board	Amps	0.5	0.5
Internal fuse rating - Main PCB board	Amps	1.6	1.6
Boiler IP rating (electrical protection) without integral timer fitted	Approval Category	IPX5D	IPX5D
Circulating pump exercise feature		✓	✓
Pump overrun		✓	✓
Integral 'boiler only' frost thermostat		✓	✓
<b>Concentric flue system</b>			
Standard telescopic concentric flue	Length in mm	315-500	315-500
Horizontal concentric (60/100mm)	Max equivalent length (m)	10	10
	Reduction Per 135° bend (m)	0.5	0.5
	Reduction Per 93° bend (m)	1	1
Horizontal concentric (80/125mm)	Max equivalent length (m)	20	20
<b>Weights</b>			
Installer lift weight (boiler)	Max (kg)	26	26
Gross packaged boiler weight	(kg)	30	30

# What's inside the boiler?

## Baxi 200 Combi



HOW WE MAKE IT EASY

**An industry-leading  
choice of flues.**



# Flues

## Horizontal concentric flues Ø 60/100mm

### Multifit flue group A

Item description	Colour	Specification	Key and OD dimensions	Sales code
1 Horizontal telescopic flue inc. low profile elbow and fixing screws	White pipe/white terminal	315mm - 500mm	100mm	720599401
2 Horizontal telescopic flue inc. low profile elbow and fixing screws	White pipe/black terminal	315mm - 500mm	100mm	720598701
3 1m flue extension inc. fixing screws and bracket	White	1000mm	100mm	720648801
4 93° flue bend inc. fixing screws	White	93°	100mm	720648401
5 135° flue bend inc. fixing screws (pair)	White	135°	100mm	720647901
6 Standard horizontal flue inc. low profile elbow and fixing screws	White pipe/black terminal	685mm	100mm	7222019

## Plume displacement kits Ø 60/100mm

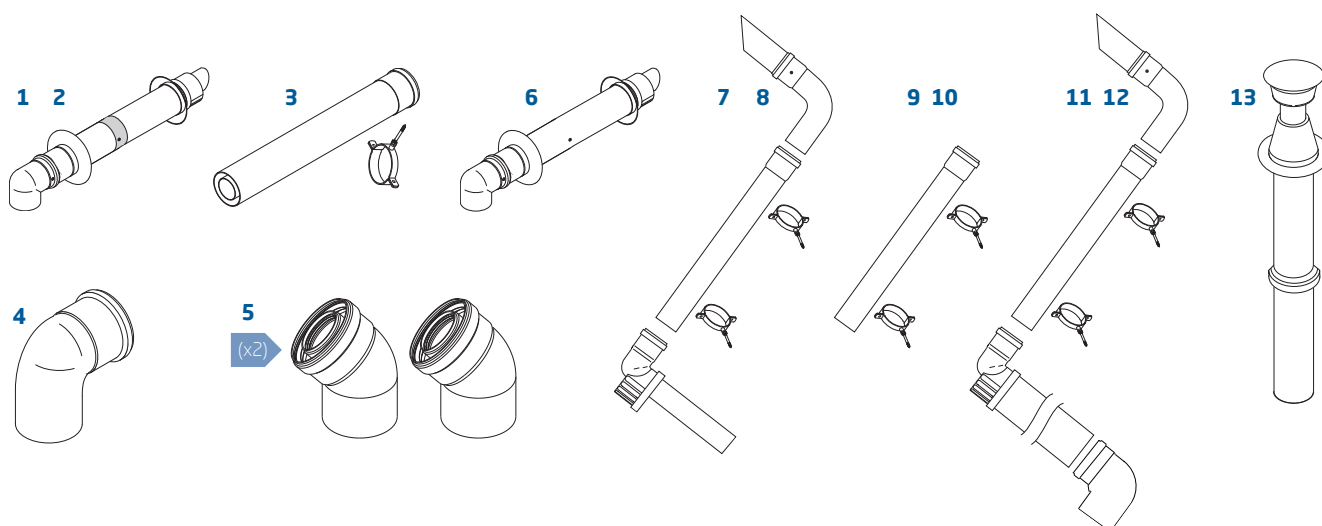
### Multifit flue group A

Item description	Colour	Specification	Key and OD dimensions	Sales code
7 Plume displacement terminal kit for telescopic flue inc 1m extension and brackets	White		60mm	720627001
8 Plume displacement terminal kit for telescopic flue inc 1m extension and brackets	Black		60mm	720622901
9 Plume displacement kit extension and brackets	White	1000mm	60mm	720643401
10 Plume displacement kit extension and brackets	Black	1000mm	60mm	720643301
11 Plume displacement terminal kit inc. 1m extension and brackets	White		60mm	7225717
12 Plume displacement terminal kit inc. 1m extension and brackets	Black		60mm	7225716

## Vertical concentric flues Ø 60/100mm

### Multifit flue group A

Item description	Colour	Specification	Key and OD dimensions	Sales code
13 Vertical flue terminal	Black		100mm	5118576
3 1m flue extension inc. fixing screws	White	1000mm	100mm	720648801
4 93° flue bend inc. fixing screws	White	93°	100mm	720648401
5 135° flue bend inc. fixing screws (pair)	White	135°	100mm	720647901





## Key features

---

Outputs: 24 and 28kW

---

Compact size

---

26kg lift weight

---

Simple hanging bracket

---

Modular fan gas air unit

---

Rigid filling loop

---

Optional stand off frame

---

Industry leading choice of flue lengths, bends and accessories

---

Vertical packaging

---

## Benefits

---

To suit most property sizes

---

Can be installed in a 290mm deep cupboard

---

Easier to manoeuvre

---

For easy installation

---

For easy maintenance

---

For a neater finish

---

Neater installations for hidden pipework

---

For versatile siting and easy replacement

---

Easy to transport and unpack

---

\*Subject to registration and an annual service. Terms and conditions apply. Visit [baxi.co.uk/warranty](http://baxi.co.uk/warranty)



*Baxi listened to the needs of installers and their customers and has designed a compact combi that will fit virtually anywhere, making it easier for installers to site the boiler.*

**Steve Turner**  
P&H Services Ltd, Kenilworth

# Baxi 400 Combi

The Baxi 400 is a high efficiency boiler; simple to use and provides plenty of heating and hot water. The boiler has a rigid filling loop for a neater finish and has the option to be operated using a smart phone or tablet. The reliable Baxi technology is backed by a five year parts and labour warranty\* for extra peace of mind.

## Accessories and controls

The following accessories are compatible with the Baxi 400 Combi



**7649277**  
Baxi uSense smart thermostat



**7683084**  
Baxi IFOS (In Flue Outdoor Sensor)



**7658276**  
Baxi plug-in 24 hr single channel mechanical timer



**7658523**  
Baxi plug-in 7 day single channel digital timer



**7658781**  
Baxi plug-in receiver 24 hr single channel programmable mechanical room thermostat



**7658789**  
Baxi plug-in receiver 7 day RF digital single channel programmable room thermostat



**7212438**  
Baxi single channel wired programmable room thermostat



**7212444**  
Baxi single channel wired timer



**720971601**  
Baxi room thermostat

# Technical specifications

HOW WE MAKE IT EASY

Wall mounted bracket for quick and simple installation.



## Boiler dimensions

Width [A]	Height [B]	Depth [C]
395mm	700mm	279mm

## Service clearances

Side [D]	Upper [E]	Lower [F]	Front [G]
5mm*	178mm*	200mm*	6mm in operation*, (*450mm for servicing purposes)

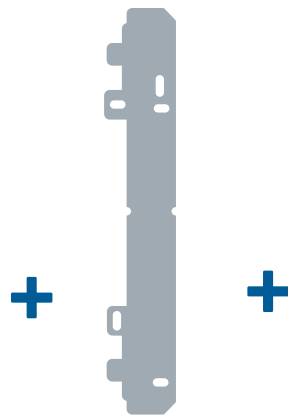
\*These are the minimum recommended dimensions. Greater clearance will aid installation and maintenance.



## What's in the box?



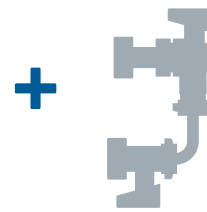
Baxi 400 Combi boiler



Wall mounted bracket



Literature and fitting pack



Filling loop



Copper pipe tails

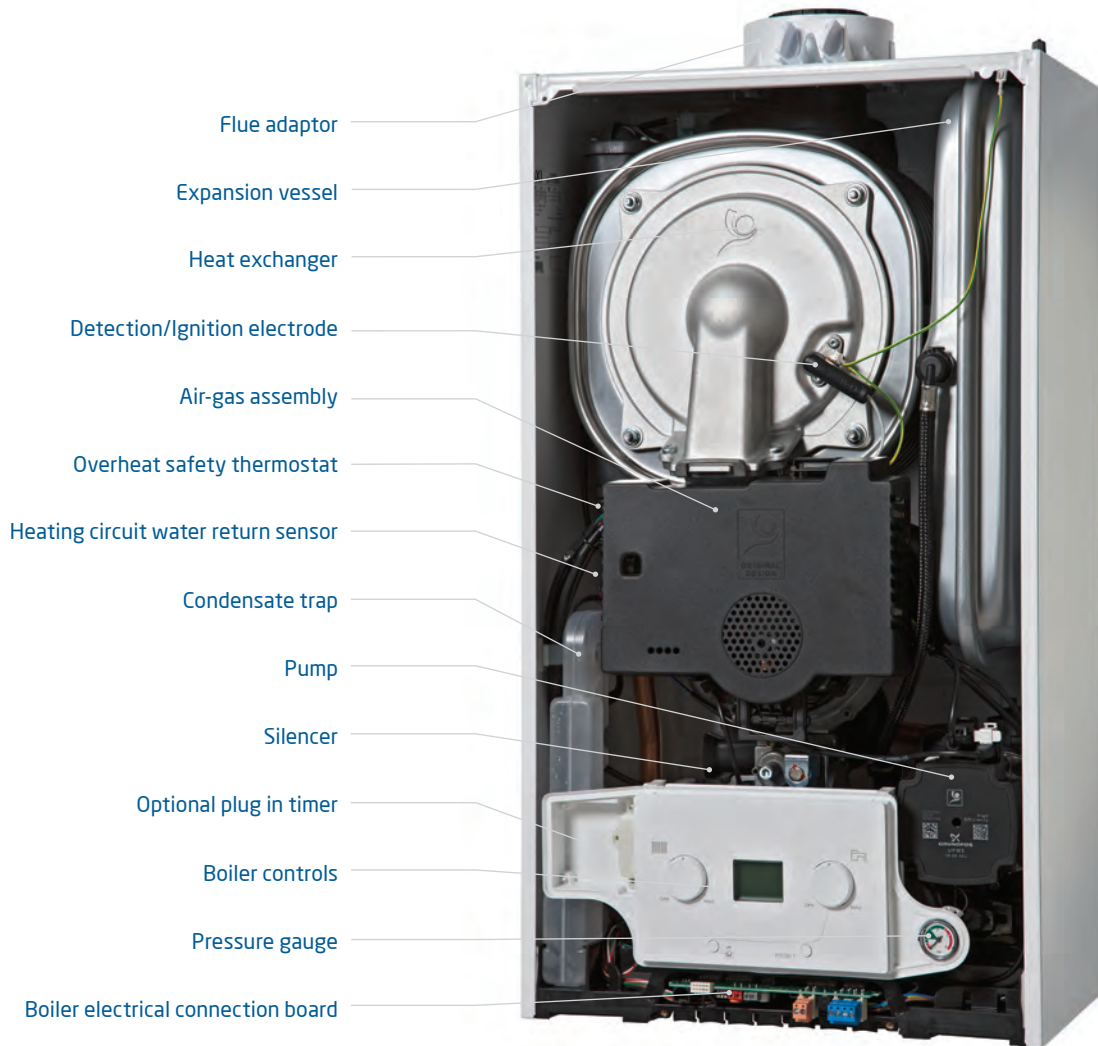
# Technical details

## Baxi 400 Combi

		24 Combi	28 Combi
Sales code	Boiler only	7656162	7656163
<b>Accessories and controls</b>			
Concealed user controls		X	X
Operating mode selector switch with reset		✓	✓
User adjustable DHW temperature	Range - 35°C to 60°C	✓	✓
User adjustable CH temperature	Range - 25°C to 80°C	✓	✓
Temp/status/fault diagnosis display		LCD display	LCD display
Integral 24 hr electro-mechanical timer (247206)		Optional	Optional
Plug-in 24 hr mechanical timer combi (7658276)		Optional	Optional
Plug-in 7 day digital timer combi (7658523)		Optional	Optional
Plug-in receiver 24 hr RF programmable mechanical room thermostat-combi (7658781)		Optional	Optional
Plug-in receiver 7 day RF digital programmable mechanical room thermostat-combi (7658789)		Optional	Optional
Single channel 7 day wired programmable room thermostat-combi (7212438)		Optional	Optional
Single channel wired timer (7212444)		Optional	Optional
Room thermostat (720971601)		Optional	Optional
Baxi 200 and 400 stand off kit (7659335)		Optional	Optional
Baxi IFOS (7683084)		Optional	Optional
Baxi Easy-Fill (7665482)		Optional	Optional
<b>ErP Product Information</b>			
Seasonal Space Heating Energy Efficiency	%	93	93
NOx	mg/kWh	38	40
Sound power level, indoors	LWA dB	48	50
Space heating efficiency class		A	A
Water heating declared load profile		XL	XL
Water heating efficiency class		A	A
Heat input CH	kW (Max) Gross (QnHs)	22.87	27.42
	kW (Min) Gross (QnHs)	5.44	5.44
Heat output CH (non condensing) factory setting	kW (Max) (Pn)	20	20
	kW (Min) (Pn)	4.8	4.8
Heat output CH (condensing) factory setting	kW (Max) (Pnc)	21.8	21.8
	kW (Min) (Pnc)	5.2	5.2
<b>Gas</b>			
Gas supply pipe size	(mm)	22	22
Inlet supply pressure (natural gas)	mbar (nominal)	20	20
Maximum Gas Rate (nat Gas after 10 mins)	m <sup>3</sup> /hr	2.61	3.06
SAP 2009 annual efficiency (PCDB / SEDBUK)	%	89	89
NOx class		5	5
<b>Mechanical and hydraulic</b>			
Heat input domestic hot water (DHW)	kW max gross (QnHs)	27.4	32.1
Heat output domestic hot water	kW max	24	28
Maximum DHW flow rate (Delta T @ 35°C max)	l/min	9.8	11.5
Minimum DHW flow rate required	l/min	2	2
Minimum operating DHW pressure required	bar	0.15	0.15
Maximum DHW system pressure	bar	8	8
Safety discharge pressure	bar	3	3
Compartment ventilation required		X	X
Flow/return pipe size	(mm)	22	22
Filling loop supplied		✓	✓
Integral expansion vessel	Size (litres)	7	7
CH system inhibitor required		✓	✓
Condensate discharge pipe size	(mm)	21.5	21.5
<b>Electrical</b>			
Electrical supply	Volts/Hz	230V/50Hz	230V/50Hz
Permanent live required		✓	✓
Electrical cable required	core	3 x 0.75	3 x 0.75
Power consumption when firing	Watts	84	94
External fuse rating	Amps	3	3
Internal fuse rating - connection board	Amps	0.5	0.5
Internal fuse rating - Main PCB board	Amps	1.6	1.6
Boiler IP rating (electrical protection) without integral timer fitted	Approval Category	IPX5D	IPX5D
Circulating pump exercise feature		✓	✓
Pump overrun		✓	✓
Integral 'boiler only' frost thermostat		✓	✓
<b>Concentric flue system</b>			
Standard telescopic concentric flue	Length in mm	315-500	315-500
Horizontal concentric (60/100mm)	Max equivalent length (m)	10	10
	Reduction Per 135° bend (m)	0.5	0.5
	Reduction Per 93° bend (m)	1	1
Horizontal concentric (80/125mm)	Max equivalent length (m)	20	20
<b>Weights</b>			
Installer lift weight (boiler)	Max (kg)	26	26
Gross packaged boiler weight	(kg)	30	30

# What's inside the boiler?

Baxi 400 Combi



HOW WE MAKE IT EASY

**Telescopic horizontal  
flue option is quick  
and easy to fit.**

# Flues

## Horizontal concentric flues Ø 60/100mm

### Multifit flue group A

Item description	Colour	Specification	Key and OD dimensions	Sales code
1 Horizontal telescopic flue inc. low profile elbow and fixing screws	White pipe/white terminal	315mm - 500mm	100mm	720599401
2 Horizontal telescopic flue inc. low profile elbow and fixing screws	White pipe/black terminal	315mm - 500mm	100mm	720598701
3 1m flue extension inc. fixing screws and bracket	White	1000mm	100mm	720648801
4 93° flue bend inc. fixing screws	White	93°	100mm	720648401
5 135° flue bend inc. fixing screws (pair)	White	135°	100mm	720647901
6 Standard horizontal flue inc. low profile elbow and fixing screws	White pipe/black terminal	685mm	100mm	7222019

## Plume displacement kits Ø 60/100mm

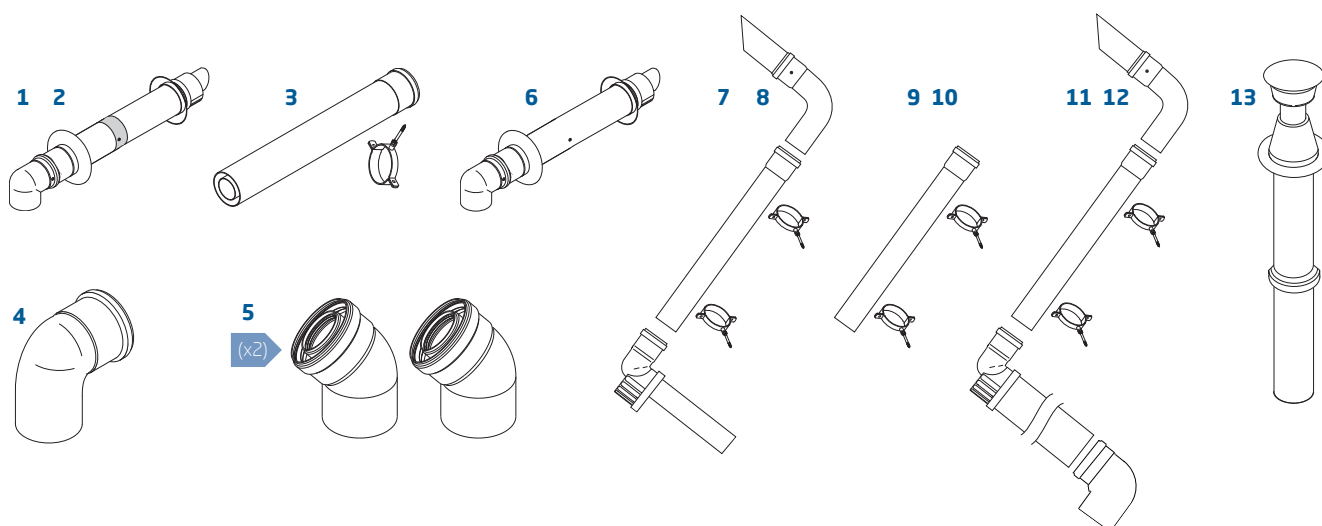
### Multifit flue group A

Item description	Colour	Specification	Key and OD dimensions	Sales code
7 Plume displacement terminal kit for telescopic flue inc 1m extension and brackets	White		60mm	720627001
8 Plume displacement terminal kit for telescopic flue inc 1m extension and brackets	Black		60mm	720622901
9 Plume displacement kit extension and brackets	White	1000mm	60mm	720643401
10 Plume displacement kit extension and brackets	Black	1000mm	60mm	720643301
11 Plume displacement terminal kit inc. 1m extension and brackets	White		60mm	7225717
12 Plume displacement terminal kit inc. 1m extension and brackets	Black		60mm	7225716

## Vertical concentric flues Ø 60/100mm

### Multifit flue group A

Item description	Colour	Specification	Key and OD dimensions	Sales code
13 Vertical flue terminal	Black		100mm	5118576
3 1m flue extension inc. fixing screws	White	1000mm	100mm	720648801
4 93° flue bend inc. fixing screws	White	93°	100mm	720648401
5 135° flue bend inc. fixing screws (pair)	White	135°	100mm	720647901





### Key features

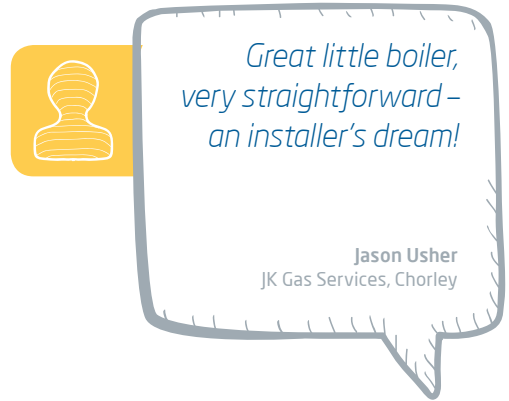
- Output: 28kW
- Compact size
- 26kg lift weight
- Simple hanging bracket
- Modular fan gas air unit
- Rigid filling loop
- Optional stand off frame
- Industry leading choice of flue lengths, bends and accessories
- Vertical packaging

### Benefits

- Suitable for most properties
- Can be installed in a 290mm deep cupboard
- Easier to manoeuvre
- For easy installation
- For easy maintenance
- For a neater finish
- Neater installations for hidden pipework
- For versatile siting and easy replacement
- Easy to transport and unpack

\*Subject to registration and an annual service. Terms and conditions apply. Visit [baxi.co.uk/warranty](http://baxi.co.uk/warranty)





*Great little boiler,  
very straightforward –  
an installer’s dream!*

Jason Usher  
JK Gas Services, Chorley

# Baxi 400 Combi LPG

The Baxi 400 LPG is a high efficiency boiler; simple to use and provides plenty of heating and hot water. The boiler has a rigid filling loop for a neater finish and has the option to be operated using a smart phone or tablet. The reliable Baxi technology is backed by a five year parts and labour warranty\* for extra peace of mind.

## Accessories and controls

The following accessories are compatible with the Baxi 400 Combi LPG



**7649277**  
Baxi uSense smart thermostat



**7683084**  
Baxi IFOS (In Flue Outdoor Sensor)



**7658276**  
Baxi plug-in 24 hr single channel mechanical timer



**7658523**  
Baxi plug-in 7 day single channel digital timer



**7658781**  
Baxi plug-in receiver 24 hr single channel programmable mechanical room thermostat



**7658789**  
Baxi plug-in receiver 7 day RF digital single channel programmable room thermostat



**7212438**  
Baxi single channel wired programmable room thermostat



**7212444**  
Baxi single channel wired timer



**720971601**  
Baxi room thermostat



**720030501**  
Baxi combi wireless 7 day programmable room stat

# Technical specifications

HOW WE MAKE IT EASY

Wall mounted bracket for quick and simple installation.



## Boiler dimensions

Width [A]	Height [B]	Depth [C]
395mm	700mm	279mm

## Service clearances

Side [D]	Upper [E]	Lower [F]	Front [G]
5mm*	178mm*	200mm*	6mm in operation*, (*450mm for servicing purposes)

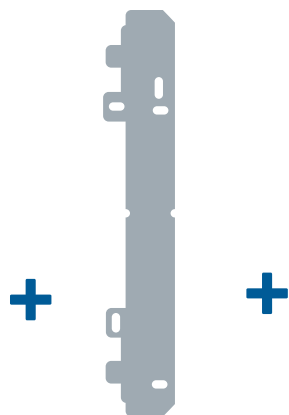
\*These are the minimum recommended dimensions. Greater clearance will aid installation and maintenance.



## What's in the box?



Baxi 400 Combi LPG boiler



Wall mounted bracket



Literature and fitting pack



Filling loop



Copper pipe tails

# Technical details

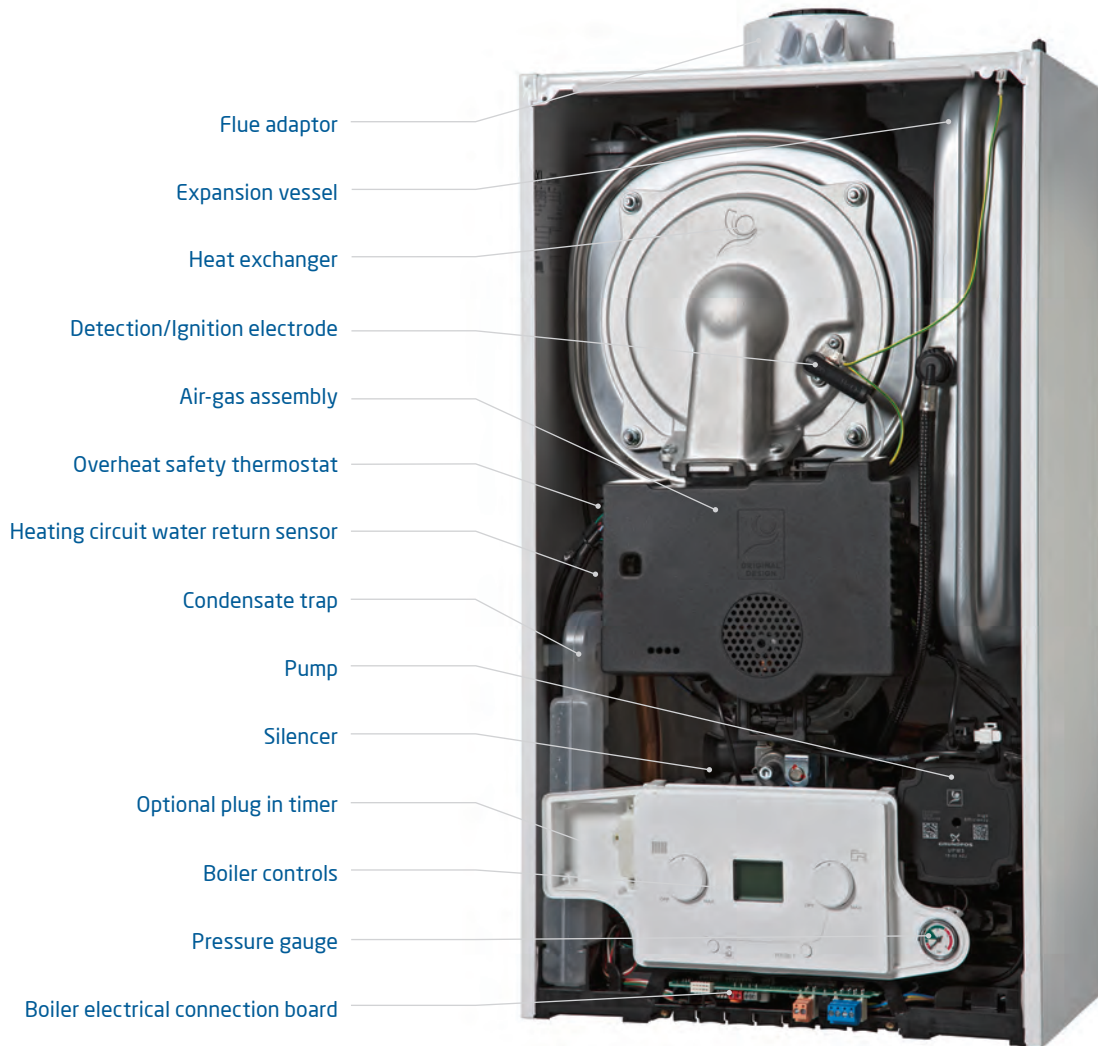
## Baxi 400 Combi

## 28 Combi LPG

Sales code	Boiler only	7676760
<b>Accessories and controls</b>		
Concealed user controls		X
Operating mode selector switch with reset		✓
User adjustable DHW temperature	Range - 35°C to 60°C	✓
User adjustable CH temperature	Range - 25°C to 80°C	✓
Temp/status/fault diagnosis display		LCD display
Integral 24 hr electro-mechanical timer (247206)		Optional
Plug-in 24 hr mechanical timer combi (7658276)		Optional
Plug-in 7 day digital timer combi (7658523)		Optional
Plug-in receiver 24 hr RF programmable mechanical room thermostat-combi (7658781)		Optional
Plug-in receiver 7 day RF digital programmable mechanical room thermostat-combi (7658789)		Optional
Single channel 7 day wired programmable room thermostat-combi (7212438)		Optional
Single channel wired timer (7212444)		Optional
Room thermostat (720971601)		Optional
Baxi 200 and 400 stand off kit (7659335)		Optional
Baxi IFOS (7683084)		Optional
Baxi Easy-Fill (7665482)		Optional
<b>ErP Product Information</b>		
Seasonal Space Heating Energy Efficiency	%	93
NOx	mg/kWh	40
Sound power level, indoors	LWA dB	50
Space heating efficiency class		A
Water heating declared load profile		XL
Water heating efficiency class		A
Heat input CH	kW (Max) Gross (QnHs)	27.42
	kW (Min) Gross (QnHs)	5.44
Heat output CH (non condensing) factory setting	kW (Max) (Pn)	20
	kW (Min) (Pn)	4.8
Heat output CH (condensing) factory setting	kW (Max) (Pnc)	21.8
	kW (Min) (Pnc)	5.2
<b>Gas</b>		
Gas supply pipe size	(mm)	22
Inlet supply pressure (natural gas)	mbar (nominal)	20
Maximum Gas Rate (nat Gas after 10 mins)	m <sup>3</sup> /hr	3.06
SAP 2009 annual efficiency (PCDB / SEDBUK)	%	89
NOx class		5
<b>Mechanical and hydraulic</b>		
Heat input domestic hot water (DHW)	kW max gross (QnWHS)	32.1
Heat output domestic hot water	kW max	28
Maximum DHW flow rate (Delta T @ 35°C max)	l/min	11.5
Minimum DHW flow rate required	l/min	2
Minimum operating DHW pressure required	bar	0.15
Maximum DHW system pressure	bar	8
Safety discharge pressure	bar	3
Compartment ventilation required		X
Flow/return pipe size	(mm)	22
Filling loop supplied		✓
Integral expansion vessel	Size (litres)	7
CH system inhibitor required		✓
Condensate discharge pipe size	(mm)	21.5
<b>Electrical</b>		
Electrical supply	Volts/Hz	230V/50Hz
Permanent live required		✓
Electrical cable required	core	3 x 0.75
Power consumption when firing	Watts	94
External fuse rating	Amps	3
Internal fuse rating - connection board	Amps	0.5
Internal fuse rating - Main PCB board	Amps	1.6
Boiler IP rating (electrical protection) without integral timer fitted	Approval Category	IPX5D
Circulating pump exercise feature		✓
Pump overrun		✓
Integral 'boiler only' frost thermostat		✓
<b>Concentric flue system</b>		
Standard telescopic concentric flue	Length in mm	315-500
Horizontal concentric (60/100mm)	Max equivalent length (m)	10
	Reduction Per 135° bend (m)	0.5
	Reduction Per 93° bend (m)	1
Horizontal concentric (80/125mm)	Max equivalent length (m)	20
<b>Weights</b>		
Installer lift weight (boiler)	Max (kg)	26
Gross packaged boiler weight	(kg)	30.5

# What's inside the boiler?

Baxi 400 Combi LPG



HOW WE MAKE IT EASY

**Telescopic horizontal  
flue option is quick  
and easy to fit.**

# Flues

## Horizontal concentric flues Ø 60/100mm

### Multifit flue group A

Item description	Colour	Specification	Key and OD dimensions	Sales code
1 Horizontal telescopic flue inc. low profile elbow and fixing screws	White pipe/white terminal	315mm - 500mm	100mm	720599401
2 Horizontal telescopic flue inc. low profile elbow and fixing screws	White pipe/black terminal	315mm - 500mm	100mm	720598701
3 1m flue extension inc. fixing screws and bracket	White	1000mm	100mm	720648801
4 93° flue bend inc. fixing screws	White	93°	100mm	720648401
5 135° flue bend inc. fixing screws (pair)	White	135°	100mm	720647901
6 Standard horizontal flue inc. low profile elbow and fixing screws	White pipe/black terminal	685mm	100mm	7222019

## Plume displacement kits Ø 60/100mm

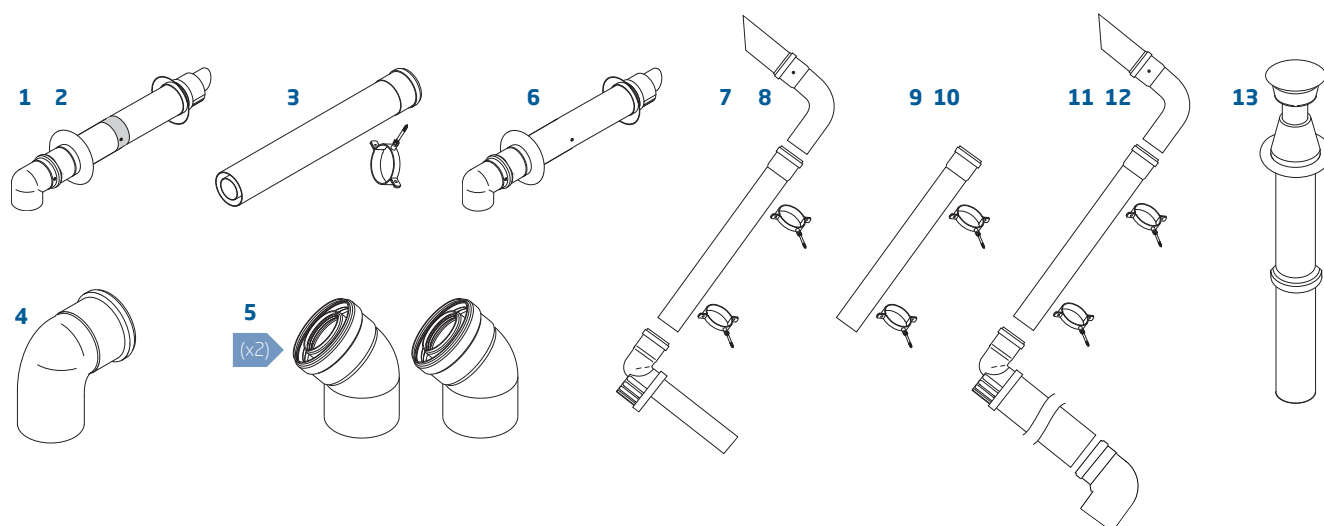
### Multifit flue group A

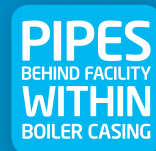
Item description	Colour	Specification	Key and OD dimensions	Sales code
7 Plume displacement terminal kit for telescopic flue inc 1m extension and brackets	White		60mm	720627001
8 Plume displacement terminal kit for telescopic flue inc 1m extension and brackets	Black		60mm	720622901
9 Plume displacement kit extension and brackets	White	1000mm	60mm	720643401
10 Plume displacement kit extension and brackets	Black	1000mm	60mm	720643301
11 Plume displacement terminal kit inc. 1m extension and brackets	White		60mm	7225717
12 Plume displacement terminal kit inc. 1m extension and brackets	Black		60mm	7225716

## Vertical concentric flues Ø 60/100mm

### Multifit flue group A

Item description	Colour	Specification	Key and OD dimensions	Sales code
13 Vertical flue terminal	Black		100mm	5118576
3 1m flue extension inc. fixing screws	White	1000mm	100mm	720648801
4 93° flue bend inc. fixing screws	White	93°	100mm	720648401
5 135° flue bend inc. fixing screws (pair)	White	135°	100mm	720647901





## Key features

---

Outputs 24kw & 30kw

---

Great hot water performance

---

Compact cupboard fit

---

Pipes behind facility within boiler casing

---

Lightweight

---

Easy-Fill permanent filling link

---

Brass hydraulics block

---

Central flue

---

OpenTherm interface

## Benefits

---

To suit most property sizes

---

Flow rates up to 12.2 litres per minute\*\*

---

Can be installed in a 290mm deep cupboard

---

Save time, space and money by piping behind within the footprint of the boiler

---

29.5kg lift weight

---

Single spring loaded lever enables homeowners to top up the system quickly and easily

---

Trusted and robust

---

For easy replacement

---

Compatible with Baxi uSense Smart Wired Thermostat

\* Subject to registration and an annual service. Terms and conditions apply. Visit [baxi.co.uk/warranty](http://baxi.co.uk/warranty)

\*\* At 35°C rise



# Baxi 600 Combi

The Baxi 600 is small enough to fit into a 290mm deep cupboard, has a built in pipes behind facility within the boiler casing and brass hydraulics. It's compatible with the Baxi uSense smart thermostat and comes with a 7 year extended warranty\*

## Accessories

---

The following accessories are compatible with the Baxi 600 Combi



**7649277**  
Baxi uSense smart thermostat



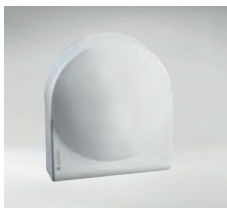
**7683084**  
Baxi IFOS (In Flue Outdoor Sensor)



**720971601**  
Baxi wired room thermostat



**720971401**  
Wall mounted 24hr mechanical timer



**7686478**  
Multifit wired outdoor weather sensor



**7212444**  
Baxi single channel wired timer



**7212438**  
Baxi single channel wired programmable room thermostat



**720030501**  
Baxi combi wireless 7 Day programmable room stat

# Technical specifications

HOW WE MAKE IT EASY

Wall mounted bracket for quick and simple installation.



## Boiler dimensions

Width [A]	Height [B]	Depth [C]
390mm	700mm	285mm

## Service clearances

Side [D]	Upper [E]	Lower [F]	Front [G]
5mm*	178mm*	200mm*	5mm in operation,* (*450mm for servicing purposes)

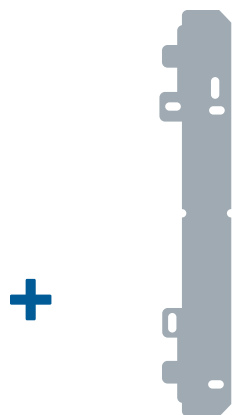
\*These are the minimum recommended dimensions. Greater clearance will aid installation and maintenance.



## What's in the box?



Baxi 600 Combi boiler



Wall mounted bracket



Literature and fitting pack



Easy-Fill permanent filling link



Copper pipe tails



# Technical details

## Baxi 600 Combi ErP

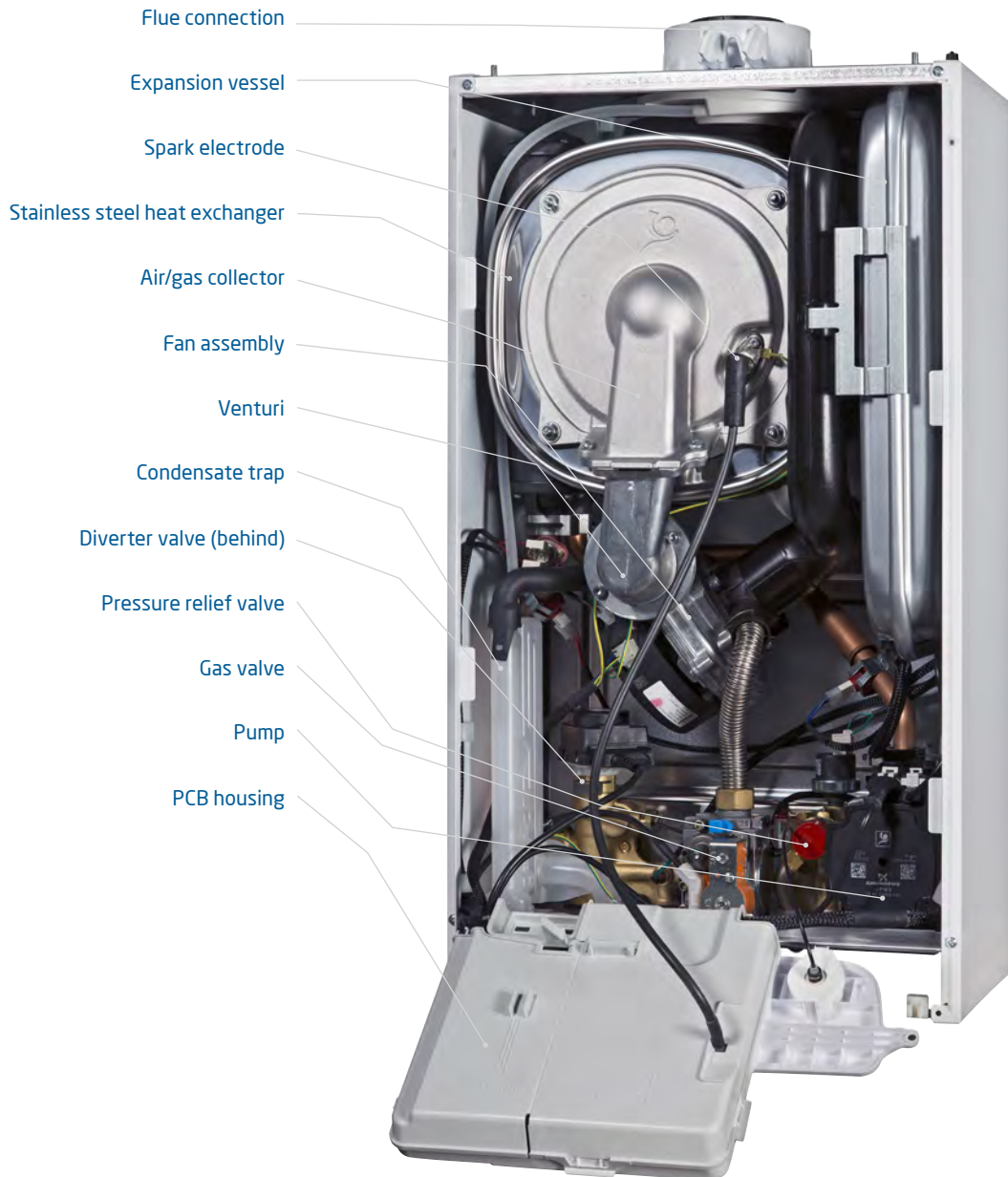
### 624 Combi

### 630 Combi

Sales code	Boiler only	7682194	7682101
<b>Controls and accessories</b>			
User adjustable DHW temperature	Range - 35°C to 60°C	✓	✓
User adjustable CH temperature	Range - 25°C to 80°C	✓	✓
Temp/status/fault diagnosis display		LCD display	LCD display
uSense Wired (optional accessory)	7649277	Optional	Optional
Integral 24 hr Electro-mechanical timer		X	X
Wired 24hr Electro-mechanical timer (optional accessory)	720971401	Optional	Optional
7 Day RF Digital Programmable Room Thermostat (optional accessory)	720030501	Optional	Optional
Single Channel Wired Programmable Room Thermostat (optional accessory)	7212438	Optional	Optional
Single Channel Wired Timer (optional accessory)	7212444	Optional	Optional
Wired room Thermostat (optional accessory)	720971601	Optional	Optional
Wired Outdoor Weather Sensor (optional accessory)	7686478	Optional	Optional
Baxi IFOS (optional accessory)	7683084	Optional	Optional
Baxi Easy-Fill	7665482	✓	✓
<b>Gas</b>			
Natural gas		✓	✓
Propane LPG		X	X
Inlet supply pressure (natural gas)	mbar (nominal)	20	20
Maximum Gas Rate (G20) Qmax	m <sup>3</sup> /hr	2.71	3.26
NOx	mg/kWh	29.7	28.3
NOx class		5	5
Heat input CH	kW (Max) Gross (QnHs)	22.86	22.86
	kW (Min) Gross (QnHs)	6.87	6.87
Heat output CH (non condensing)	kW (Max) (Pn)	20	20
	kW (Min) (Pn)	6.2	6.2
Heat output CH (condensing)	kW (Max) (Pnc)	21.16	21.16
	kW (Min) (Pnc)	6.7	6.7
Heat input domestic hot water (DHW)	kW max gross (QnwHs)	25	30
Heat output domestic hot water	kW max	25.77	30.93
SAP 2009 Annual Efficiency (PCDB/SEDBUK)		89%	89%
<b>ErP Product Information</b>			
Seasonal Space Heating Energy Efficiency		93%	93%
Sound power level, indoors	LWA dB	50	53
Space heating efficiency class		A	A
Water heating declared load profile		XL	XL
Water heating efficiency class		A	A
<b>Electrical</b>			
Electrical supply	Volts / Hz	230V / 50Hz	230V / 50Hz
Permanent live required		✓	✓
Electrical cable supplied	(0.75mm heat resistant flex)	X	X
Power consumption when firing	Watts	100	100
External fuse rating	Amps	3	3
Internal fuse rating	Amps	F2A H250V	F2A H250V
Boiler IP rating (electrical protection) without integral timer fitted	Approval Category	IPX5D	IPX5D
Circulating pump exercise feature		✓	✓
Pump overrun		✓	✓
Integral 'boiler only' frost thermostat		✓	✓
<b>Mechanical</b>			
Hanging Bracket		✓	✓
Isolating valves with pre-formed copper tails		✓	✓
Gas supply pipe size	(mm)	22	22
Central heating connections	(mm)	22	22
Domestic Hot Water connections	(mm)	15	15
Condensate discharge pipe connection	(mm)	21.5	21.5
Safety discharge pipe connection	(mm)	15	15
Pre-plumbing jig accessory (optional accessory)	7682545	✓	✓
Rear pipework kit (optional accessory)	7682790	✓	✓
Temporary flexible filling loop (optional accessory)	248221	✓	✓
Remote secondary PRV kit (optional accessory)	5121379	✓	✓
<b>Hydraulic</b>			
Maximum DHW flow rate (Delta T @ 35°C max)	l/min	10.2	12.2
Minimum DHW flow rate required	l/min	2	2
Minimum operating DHW pressure required	bar	0.5	0.5
Maximum DHW system pressure	bar	8	8
Safety discharge pressure	bar	3	3
Compartment ventilation required		X	X
Easy-Fill permanent filling loop supplied		✓	✓
Integral expansion vessel	Size (litres)	7	7
Maximum capacity of CH system	Litres	21.5	21.5
Integral automatic bypass		✓	✓
CH System Inhibitor Required		✓	✓
<b>Concentric flue systems</b>			
Concentric flue diameters	mm	60/100 and 80/125	60/100 and 80/125
Standard telescopic horizontal flue (60/100mm)	mm	315-500	315-500
Standard horizontal flue kit (60/100mm)	mm	685	685
Max equiv length horizontal/vertical (60/100mm)	m	10	10
Max equiv length horizontal/vertical (80/125mm)	m	20	20
Equivalent length per 135° bend	m	0.50	0.50
Equivalent length per 93° bend	m	1.00	1.00
<b>Weights</b>			
Installer lift weight (boiler)	Max (kg)	29	29
Gross packaged boiler weight	(kg)	32.5	32.5

# What's inside the boiler?

Baxi 600 Combi



HOW WE MAKE IT EASY

**An industry-leading  
choice of flues.**

# Flues

## Horizontal concentric flues Ø 60/100mm

### Multifit flue group A

Item description	Colour	Specification	Key and OD dimensions	Sales code
1 Horizontal telescopic flue inc. low profile elbow and fixing screws	White pipe/white terminal	315mm - 500mm	100mm	720599401
2 Horizontal telescopic flue inc. low profile elbow and fixing screws	White pipe/black terminal	315mm - 500mm	100mm	720598701
3 1m flue extension inc. fixing screws	White	1000mm	100mm	720648801
4 93° flue bend inc. fixing screws	White	93°	100mm	720648401
5 135° flue bend inc. fixing screws (pair)	White	135°	100mm	720647901
6 Standard horizontal flue inc. low profile elbow and fixing screws	White pipe/black terminal	685mm	100mm	7222019

## Plume displacement kits Ø 60/100mm

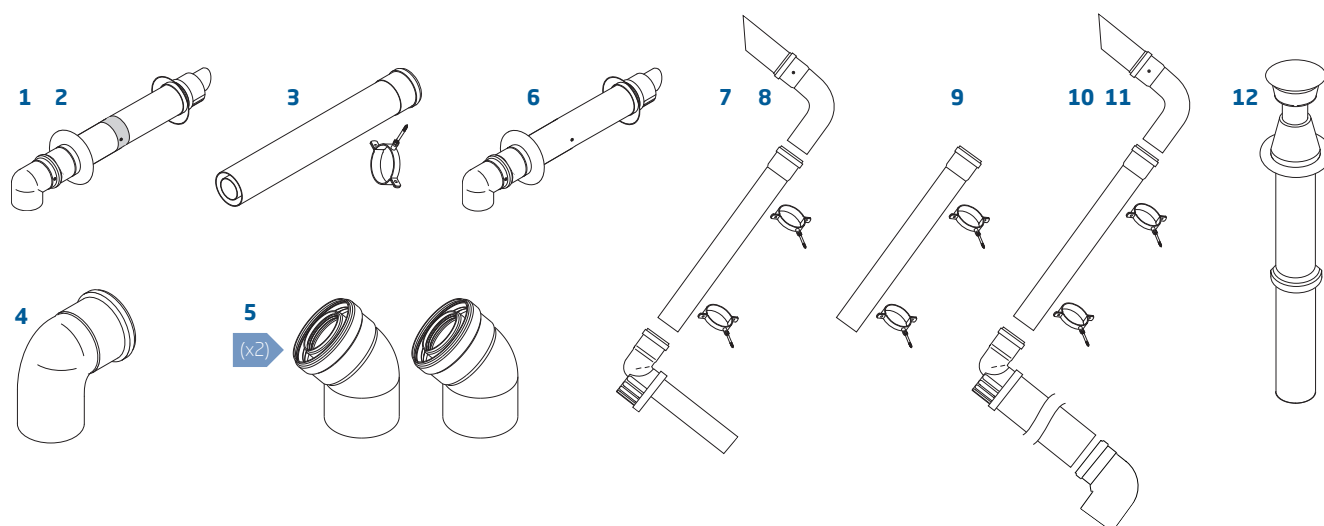
### Multifit flue group A

Item description	Colour	Specification	Key and OD dimensions	Sales code
7 Plume displacement terminal kit for telescopic flue inc 1m extension and brackets	White		60mm	720627001
8 Plume displacement terminal kit for telescopic flue inc 1m extension and brackets	Black		60mm	720622901
9 Plume displacement kit extension and brackets	White	1000mm	60mm	720643401
10 Plume displacement terminal kit inc. 1m extension and brackets	White		60mm	7225717
11 Plume displacement terminal kit inc. 1m extension and brackets	Black		60mm	7225716

## Vertical concentric flues Ø 60/100mm

### Multifit flue group A

Item description	Colour	Specification	Key and OD dimensions	Sales code
12 Vertical flue terminal	Black		100mm	5118576
3 1m flue extension inc. fixing screws	White	1000mm	100mm	720648801
4 93° flue bend inc. fixing screws	White	93°	100mm	720648401
5 135° flue bend inc. fixing screws (pair)	White	135°	100mm	720647901





**A** Efficiency Rating

**3yr** WARRANTY\*

**ONLY 19.5kg**

**CUPBOARD FIT**

**TOP CENTRAL FLUE**

**NO PUMP OVERRUN**

**FRONT AND SIDE ACCESS**

## Key features

Outputs: 12kW, 15kW, 18kW, 24kW and 30kW

Only 19.5kg installer lift weight

Cupboard fit

Easy fit wall mounting bracket

One metre lead included

Top central flue

No pump overrun or permanent live required

Front and side access

Wide choice of flue lengths, bends and accessories

## Benefits

To suit most property sizes

The lightest boiler available in UK\*\*

Can be installed discreetly

Robust with a positive fix and audible lock so you know it's secure

Easy to install and you don't need access to the control box

Easy replacement for existing boilers

Saves time and money during installation, and less disruption for the householder

Servicing is easier and quicker, and no special tools are required

For versatile siting

\*Subject to registration and an annual service. Terms and conditions apply. Visit [baxi.co.uk/warranty](http://baxi.co.uk/warranty) \*\*As at June 2014.



*I found the 200 Heat really easy to install and was surprisingly shocked how light weight it was. From an installation point of view, I would say it's a great product and I will continue to recommend it.*

**Daniel Stimp**

# Baxi 200 Heat

The Baxi 200 Heat is, at only 19.5kg, the lightest boiler available on the UK market.\*\* It has a central flue and does not need a pump overrun or permanent live, making it suitable as a replacement for old boilers.

Small enough to fit into a cupboard, the Baxi 200 Heat has a contemporary style that will also fit with any modern interior.

## Accessories and control

---

The following accessories are compatible with the Baxi 200 Heat.



**7212443**  
Baxi twin channel  
wired programmer



**720971601**  
Baxi room  
thermostat

# Technical specifications

HOW WE MAKE IT EASY

Servicing is easier and quicker, and no special tools are required



## Boiler dimensions

Width [A]	Height [B]	Depth [C]
370mm	625mm	270mm

## Service clearances

Side [D]	Upper [E]	Lower [F]	Front [G]
5mm*	190mm*	120mm*	5mm*
		35mm* in 300mm deep wall cupboard	in operation, 500mm* for servicing

\*These are the minimum recommended dimensions. Greater clearance will aid installation and maintenance.



## What's in the box?



Baxi 200 Heat boiler



Wall bracket



Literature pack



Power lead



Copper tail (gas connection) and fibre washer

## Technical details

Baxi 200 Heat ErP		212 Heat	215 Heat	218 Heat	224 Heat	230 Heat
Sales code	Boiler only	7668926	7668927	7668928	7668929	7668930
<b>Controls and accessories</b>						
Operating mode selector switch with reset	Yes / no	✓	✓	✓	✓	✓
User adjustable CH temperature	Range - e.g. 45°C to 82°C	✓	✓	✓	✓	✓
LED temp/status/fault diagnosis display	Yes / no	✓	✓	✓	✓	✓
Baxi twin channel wired programmer	7212443	Optional	Optional	Optional	Optional	Optional
Baxi room thermostat	720971601	Optional	Optional	Optional	Optional	Optional
<b>Gas</b>						
Boiler Plus ErP	%	93.0	93.0	93.0	93.0	93.0
SAP 2009 annual efficiency (PCDB/SEDBUK)	%	89.2	89.2	89.2	89.1	89.1
NOx class	1 - 5	5	5	5	5	5
<b>ErP Product Information</b>						
NOx	mg/kWh	18	20	21	23	24
Sound power level, indoors	LWA dB	32	33	34	35	37
Space heating efficiency class		A	A	A	A	A
Heat input CH	kW max gross (QnHs)	14.88	18.32	21.75	24.04	28.62
	kW min gross (QnHs)	8.59	8.59	8.59	8.59	8.59
Heat output CH (non condensing)	kW max (Pn)	13	16	19	21	25
	kW min (Pn)	7.5	7.5	7.5	7.5	7.5
Gas supply pipe size	(mm)	22	22	22	22	22
Inlet supply pressure (natural gas)	mbar	20	20	20	20	20
Maximum gas rate	m <sup>3</sup> /hr	1.42	1.75	2.07	2.29	2.73
<b>Mechanical and hydraulic</b>						
Compartment ventilation required	Yes / no	✗	✗	✗	✗	✗
Flow / return pipe size	(mm)	22	22	22	22	22
Condensate discharge pipe size	(mm)	21.50	21.50	21.50	21.50	21.50
<b>Electrical</b>						
Electrical supply	Volts / Hz	230V / 50Hz	230V / 50Hz	230V / 50Hz	230V / 50Hz	230V / 50Hz
Permanent live required	Yes / no	✗	✗	✗	✗	✗
Switched live	Yes / no	✓	✓	✓	✓	✓
Electrical power cable fitted as standard	1m of 3 core	✓	✓	✓	✓	✓
Power consumption	Watts	17	20	23	25	33
External fuse rating	Amps	3	3	3	3	3
Internal fuse rating		1.6T	1.6T	1.6T	1.6T	1.6T
Boiler IP rating (electrical protection)	Approval category	IPX4D	IPX4D	IPX4D	IPX4D	IPX4D
Pump overrun	Yes / no	✗	✗	✗	✗	✗
<b>Concentric flue system</b>						
Standard telescopic concentric flue	Length in mm	315-500	315-500	315-500	315-500	315-500
Horizontal concentric (60/100 mm)	Max equivalent length (m)	6	6	6	6	6
	Reduction per 135° bend (m)	0.5	0.5	0.5	0.5	0.5
	Reduction per 93° bend (m)	1	1	1	1	1
Horizontal concentric (80/125 mm)	Max equivalent length (m)	12	12	12	12	12
<b>Weight</b>						
Installer lift weight	Max (kg)	19.5	19.5	19.5	19.5	19.5
Gross packaged boiler weight	(kg)	21.5	21.5	21.5	21.5	21.5

# What's inside the boiler?

Baxi 200 Heat



HOW WE MAKE IT EASY

**No pump overrun  
or permanent live  
required**



# Flues

## Horizontal concentric flues Ø 60/100mm

### Multifit Flue Group A

Item description	Colour	Specification	Key and OD dimensions	Sales code
1 Horizontal telescopic flue inc. low profile elbow and fixing screws	White pipe/white terminal	315mm - 500mm	100mm	720599401
2 Horizontal telescopic flue inc. low profile elbow and fixing screws	White pipe/black terminal	315mm - 500mm	100mm	720598701
3 1m flue extension inc. fixing screws and bracket	White	1000mm	100mm	720648801
4 93° flue bend inc. fixing screws	White	93°	100mm	720648401
5 135° flue bend inc. fixing screws (pair)	White	135°	100mm	720647901
6 Standard horizontal flue inc. low profile elbow and fixing screws	White pipe/black terminal	685mm	100mm	7222019

## Plume displacement kits Ø 60/100mm

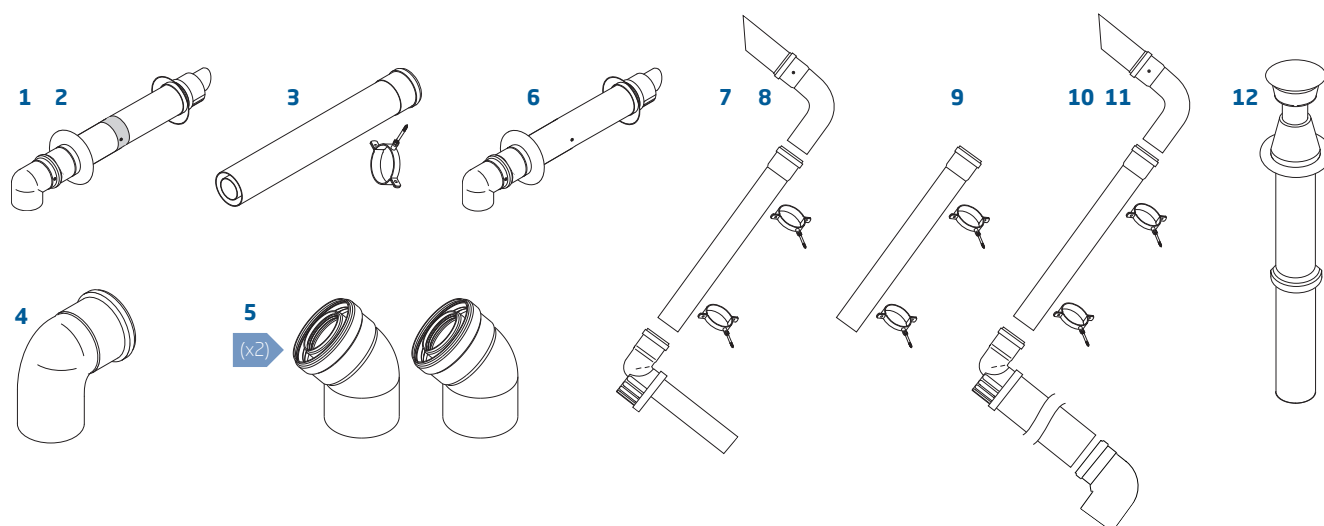
### Multifit Flue Group A

Item description	Colour	Specification	Key and OD dimensions	Sales code
7 Plume displacement terminal kit for telescopic flue inc 1m extension and brackets	White		60mm	720627001
8 Plume displacement terminal kit for telescopic flue inc 1m extension and brackets	Black		60mm	720622901
9 Plume displacement kit extension and brackets	White	1000mm	60mm	720643401
10 Plume displacement terminal kit inc. 1m extension and brackets	White		60mm	7225717
11 Plume displacement terminal kit inc. 1m extension and brackets	Black		60mm	7225716

## Vertical concentric flues Ø 60/100mm

### Multifit Flue Group A

Item description	Colour	Specification	Key and OD dimensions	Sales code
12 Vertical flue terminal	Black		100mm	5118576
3 1m flue extension inc. fixing screws and bracket	White	1000mm	100mm	720648801
4 93° flue bend inc. fixing screws	White	93°	100mm	720648401
5 135° flue bend inc. fixing screws (pair)	White	135°	100mm	720647901





## Key features

Outputs: 12kW, 15kW, 18kW, 24kW, 30kW

Only 19.5kg installer lift weight

Cupboard fit

Easy fit wall mounting bracket

One metre lead included

Top or rear flue option

Simple fixing of rear flue

No pump overrun or permanent live required

Front and side access

Wide choice of flue lengths, bends and accessories

## Benefits

To suit most property sizes

The lightest boiler available in UK\*\*

Can be installed discreetly

Robust with a positive fix and audible lock so you know it's secure

Easy to install and you don't need access to the control box

For ease of installation

For easy and fail-safe flue fixing

Saves time and money during installation, and less disruption for the householder

Servicing is easier and quicker, and no special tools are required

For versatile siting

\*Subject to registration and an annual service. Terms and conditions apply. Visit [baxi.co.uk/warranty](http://baxi.co.uk/warranty) \*\*As at June 2014.



# Baxi 400 Heat



*The rear flue option on the Baxi 400 Heat made it the perfect choice when I had to replace an old balanced flue boiler. So light, an easy lift weight, compact and easy to use for both installer and customer. The homeowner was very pleased.*

**George Drake**  
Installer

The Baxi 400 Heat is, at only 19.5kg, the lightest boiler available on the UK market.\*\* It has a rear and central flue option and does not need a pump overrun or permanent live, making it suitable as a replacement for old boilers.

Small enough to fit into a cupboard, the Baxi 400 Heat has a contemporary style that will also fit with any modern interior.

## Accessories

---

The following accessories are compatible with the Baxi 400 Heat



**7212443**  
Baxi twin channel  
wired programmer



**720971601**  
Baxi room  
thermostat

# Technical specifications

HOW WE MAKE IT EASY

The lightest boiler available in the UK



## Boiler dimensions

Width [A]	Height [B]	Depth [C]
370mm	625mm	270mm

## Service clearances

Side [D]	Upper [E]	Lower [F]	Front [G]
5mm*	190mm*	120mm*	5mm*
	35mm* if using rear flue	35mm* in 300mm deep wall cupboard	in operation, 500mm* for servicing

\*These are the minimum recommended dimensions. Greater clearance will aid installation and maintenance.



## What's in the box?



Baxi 400 Heat boiler



Wall bracket



Literature pack



Power lead



Top flue adaptor



Copper tail (gas connection) and fibre washer

## Technical details

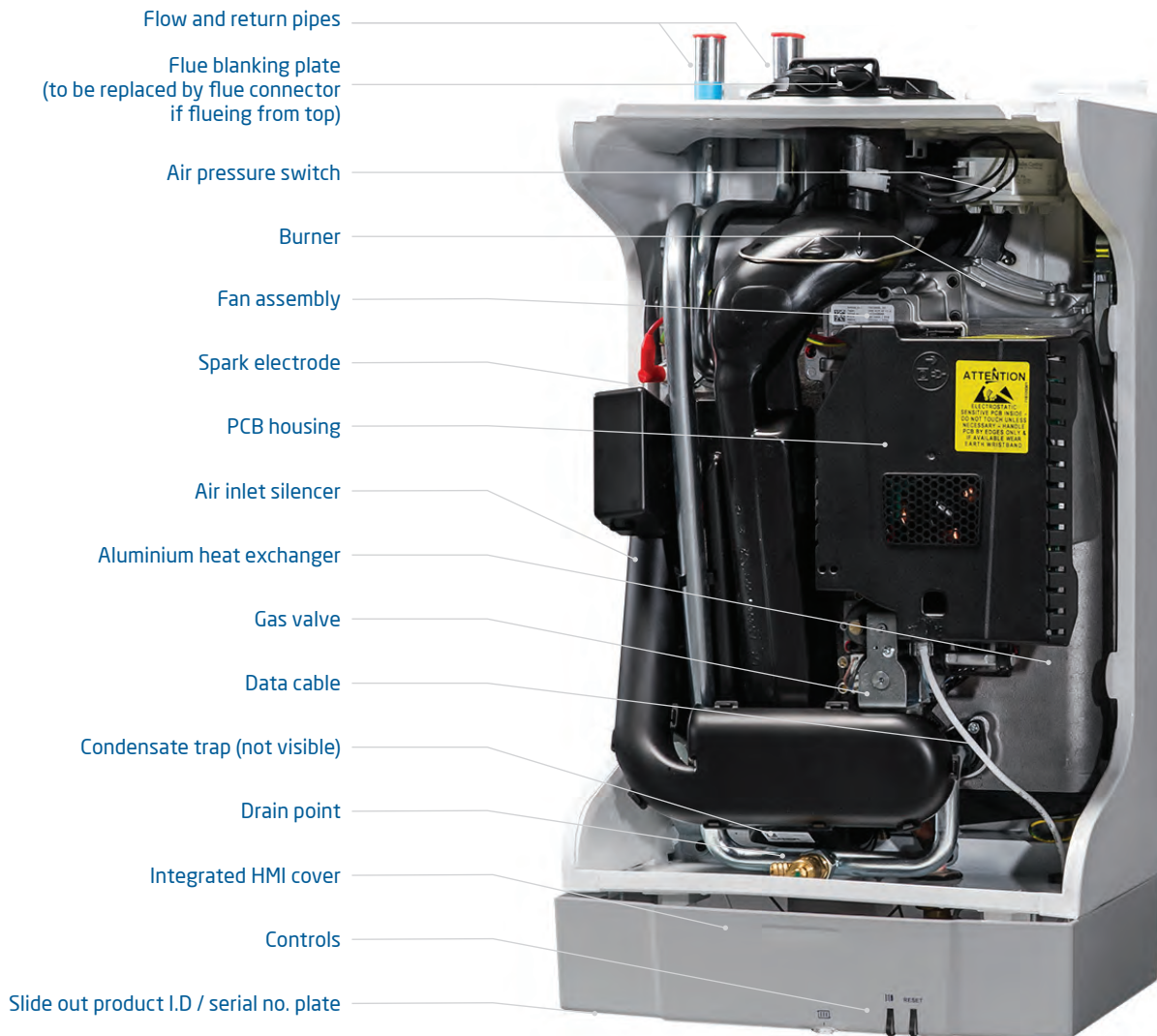
### Baxi 400 Heat ErP

### 412 Heat 415 Heat 418 Heat 424 Heat 430 Heat

Sales code	Boiler only	7668931	7668933	7668934	7668935	7668936
<b>Controls and accessories</b>						
Operating mode selector switch with reset	Yes / no	✓	✓	✓	✓	✓
User adjustable CH temperature	Range - e.g. 45°C to 82°C	✓	✓	✓	✓	✓
LED temp/status/fault diagnosis display	Yes / no	✓	✓	✓	✓	✓
Baxi twin channel wired programmer	7212443	Optional	Optional	Optional	Optional	Optional
Baxi room thermostat	720971601	Optional	Optional	Optional	Optional	Optional
<b>Gas</b>						
Boiler Plus ErP	%	93.0	93.0	93.0	93.0	93.0
SAP 2009 annual efficiency (PCDB/SEDBUK)	%	89.2	89.2	89.2	89.1	89.1
NOx class	1 - 5	5	5	5	5	5
<b>ErP Product Information</b>						
NOx	mg/kWh	18	20	21	23	24
Sound power level, indoors	LWA dB	32	33	34	35	37
Space heating efficiency class		A	A	A	A	A
Heat input CH	kW max gross (QnHs)	14.88	18.32	21.75	28.62	34.35
	kW min gross (QnHs)	8.59	8.59	8.59	8.59	8.59
Heat output CH (non condensing)	kW max (Pn)	13	16	19	25	30
	kW min (Pn)	7.5	7.5	7.5	7.5	7.5
Gas supply pipe size	(mm)	22	22	22	22	22
Inlet supply pressure (natural gas)	mbar	20	20	20	20	20
Maximum gas rate	m <sup>3</sup> /hr	1.42	1.75	2.07	2.73	3.27
<b>Mechanical and hydraulic</b>						
Compartment ventilation required		x	x	x	x	x
Flow / return pipe size	(mm)	22	22	22	22	22
Condensate discharge pipe size	(mm)	21.50	21.50	21.50	21.50	21.50
<b>Electrical</b>						
Electrical supply	Volts / Hz	230V / 50Hz	230V / 50Hz	230V / 50Hz	230V / 50Hz	230V / 50Hz
Permanent live required	Yes / no	x	x	x	x	x
Switched live	Yes / no	✓	✓	✓	✓	✓
Electrical power cable fitted as standard	1m of 3 core	✓	✓	✓	✓	✓
Power consumption	Watts	17	20	23	33	44
External fuse rating	Amps	3	3	3	3	3
Internal fuse rating		1.6T	1.6T	1.6T	1.6T	1.6T
Boiler IP rating (electrical protection)	Approval category	IPX4D	IPX4D	IPX4D	IPX4D	IPX4D
Pump overrun	Yes / no	x	x	x	x	x
<b>Concentric flue system</b>						
Standard telescopic concentric flue	Length in mm	315-500	315-500	315-500	315-500	315-500
Standard in-case rear telescopic concentric flue	Length in mm	220 - 345	220 - 345	220 - 345	220 - 345	220 - 345
Horizontal concentric (60/100 mm)	Max equivalent length (m)	6	6	6	6	6
	Reduction per 135° bend (m)	0.5	0.5	0.5	0.5	0.5
	Reduction per 93° bend (m)	1	1	1	1	1
Horizontal concentric (80/125 mm)	Max equivalent length (m)	12	12	12	12	12
<b>Weight</b>						
Installer lift weight	Max (kg)	19.5	19.5	19.5	19.5	19.5
Gross packaged boiler weight	(kg)	21.5	21.5	21.5	21.5	21.5

# What's inside the boiler?

## Baxi 400 Heat



### HOW WE MAKE IT EASY

**Servicing is easier and quicker, and no special tools are required**

# Flues

## Horizontal concentric flues Ø 60/100mm

### Multifit Flue Group A

Item description	Colour	Specification	Key and OD dimensions	Sales code
1 Horizontal telescopic flue inc. low profile elbow and fixing screws	White pipe/white terminal	315mm - 500mm	100mm	720599401
2 Horizontal telescopic flue inc. low profile elbow and fixing screws	White pipe/black terminal	315mm - 500mm	100mm	720598701
3 1m flue extension inc. fixing screws and bracket	White	1000mm	100mm	720648801
4 93° flue bend inc. fixing screws	White	93°	100mm	720648401
5 135° flue bend inc. fixing screws (pair)	White	135°	100mm	720647901
6 Standard horizontal flue inc. low profile elbow and fixing screws	White pipe/black terminal	685mm	100mm	7222019
7 Horizontal telescopic in case rear flue inc. fixing screws	White pipe/black terminal		100mm	7210434

## Plume displacement kits Ø 60/100mm

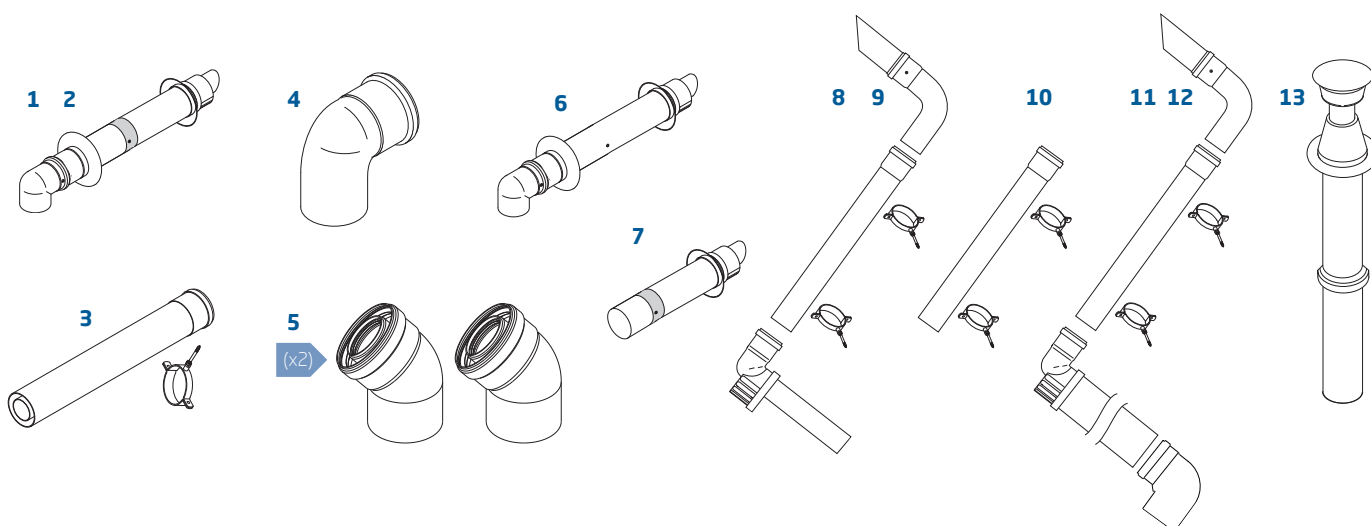
### Multifit Flue Group A

Item description	Colour	Specification	Key and OD dimensions	Sales code
8 Plume displacement terminal kit for telescopic flue inc 1m extension and brackets	White		60mm	720627001
9 Plume displacement terminal kit for telescopic flue inc 1m extension and brackets	Black		60mm	720622901
10 Plume displacement kit extension and brackets	White	1000mm	60mm	720643401
11 Plume displacement terminal kit inc. 1m extension and brackets	White		100mm	7225717
12 Plume displacement terminal kit inc. 1m extension and brackets	Black		100mm	7225716

## Vertical concentric flues Ø 60/100mm

### Multifit Flue Group A

Item description	Colour	Specification	Key and OD dimensions	Sales code
13 Vertical flue terminal	Black		100mm	5118576
3 1m flue extension inc. fixing screws and bracket	White	1000mm	100mm	720648801
4 93° flue bend inc. fixing screws	White	93°	100mm	720648401
5 135° flue bend inc. fixing screws (pair)	White	135°	100mm	720647901



# Flue solutions

Multifit flue kits now come with positive screw fixings for all connections and are available in a choice of lengths to reduce the need for onsite cutting. By popular demand we offer a choice of colours for the terminals to match existing rainwater systems.

	Flue type	Group A	Group G	Group H
Maximum permissible equivalent flue lengths for Baxi combi, system boilers are:	Horizontal concentric	10m	20m	
	Vertical concentric	10m	20m	
	Horizontal twin pipe			15m
	Vertical twin pipe			15m
Maximum permissible equivalent flue lengths for Baxi heat only boilers are:	Horizontal concentric	6m	12m	
	Vertical concentric	6m	12m	
	Horizontal twin pipe			9m
	Vertical twin pipe			9m
Where inline bends are required in a flue system, the overall length must be reduced by the following amounts:	Concentric pipes	135° bend	0.5m	
		93° bend	1m	
	Twin flue pipe	135° bend		0.25m
		91.5° bend		0.50m

## Horizontal concentric flues Ø 60/100mm

### Multifit Flue Group A

Item	Description (multifit) flue system	Colour	Specification	Key and OD dimensions	Sales code
1	Horizontal telescopic flue inc. low profile elbow and fixing screws	White pipe/ white terminal	315mm - 500mm	60/100mm	720599401
2	Horizontal telescopic flue inc. low profile elbow and fixing screws	White pipe/ black terminal	315mm - 500mm	60/100mm	720598701
3	Horizontal telescopic flue inc. low profile elbow and fixing screws	White pipe/ brown terminal	315mm - 500mm	60/100mm	720642701
4	Standard horizontal flue inc. low profile elbow and fixing screws*	White pipe/ black terminal	685mm	100mm	7222019
5	Flue terminal deflector	White		60mm	720644201
6	Flue terminal deflector	Black		60mm	5111068
7	Flue terminal deflector	Brown		60mm	720644301
8	1m flue extension inc. fixing screws	White	1000mm	100mm	720648801
9	0.5m flue extension inc. fixing screws	White	500mm	100mm	720643001
10	0.25m flue extension inc. fixing screws	White	250mm	100mm	720643101
11	93° flue bend inc. fixing screws	White	93°	100mm	720648401
12	135° flue bend inc. fixing screws	White	135°	100mm	720648501
13	135° flue bend inc. fixing screws (pair)	White	135°	100mm	720647901
14	Offset adaptor elbow	White	EcoBlue Advance Combi and Ecoblue 32 System only	100mm	720635501
15	Stainless steel terminal guard - Ø 60/100	S/S	Stainless steel	100mm	720627901

## Plume displacement kits Ø 60/100mm

### Multifit Flue Group A

Item	Description (multifit) flue system	Colour	Specification	Key and OD dimensions	Sales code
16	Plume displacement terminal kit for telescopic flue inc. 1m extension and brackets	White		60mm	720627001
17	Plume displacement kit extension and brackets	White	1000mm	60mm	720643401
18	Plume displacement kit bend	White	93°	60mm	5121369
19	Plume displacement kit bend - pair	White	135°	60mm	5121370
20	Plume displacement terminal kit for telescopic flue inc. 1m extension and brackets	Black		60mm	720622901
21	Plume displacement kit extension and brackets	Black	1000mm	60mm	720643301
22	Plume displacement kit bend	Black	93°	60mm	720648701
23	Plume displacement kit bend - pair	Black	135°	60mm	720648601
24	Plume displacement terminal kit inc. 1m extension and brackets	White		60mm	7225717
25	Plume displacement terminal kit inc. 1m extension and brackets	Black		60mm	7225716

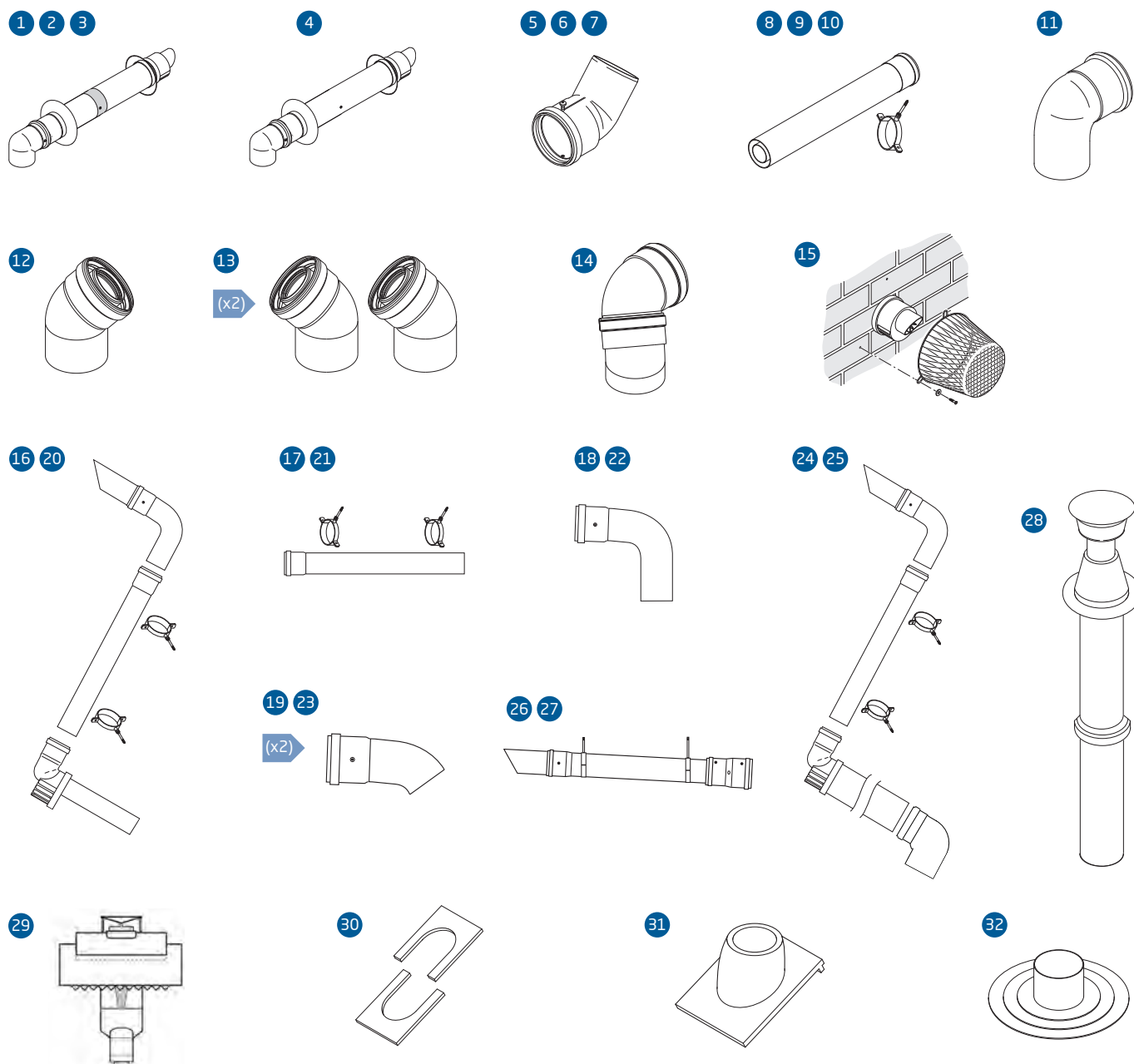
\*Not compatible with items 16 and 20



# Vertical concentric flues Ø 60/100mm

## Multifit Flue Group A

Item	Description (multifit) flue system	Colour	Specification	Key and OD dimensions	Sales code
26	Under balcony eaves flue kit	White	135°	60mm	7211039
27	Under balcony eaves flue kit	Black	135°	60mm	7211041
28	Vertical flue terminal	Black		100mm	5118576
29	Vertical ridge flue terminal	Brown		100mm	720647101
30	Roof cover plate			125mm	246143
8	1m flue extension inc. fixing screws	White	1000mm	100mm	720648801
9	0.5m flue extension inc. fixing screws	White	500mm	100mm	720643001
10	0.25m flue extension inc. fixing screws	White	250mm	100mm	720643101
11	93° flue bend inc. fixing screws	White	93°	100mm	720648401
12	135° flue bend inc. fixing screws	White	135°	100mm	720648501
13	135° flue bend (pair) inc. fixing screws	White	135°	100mm	720647901
31	Pitched roof flashing		25°/50°	125mm	5122151
32	Flat roof flashing			125mm	246144



# Flue solutions

## Horizontal concentric flues Ø 80/125mm

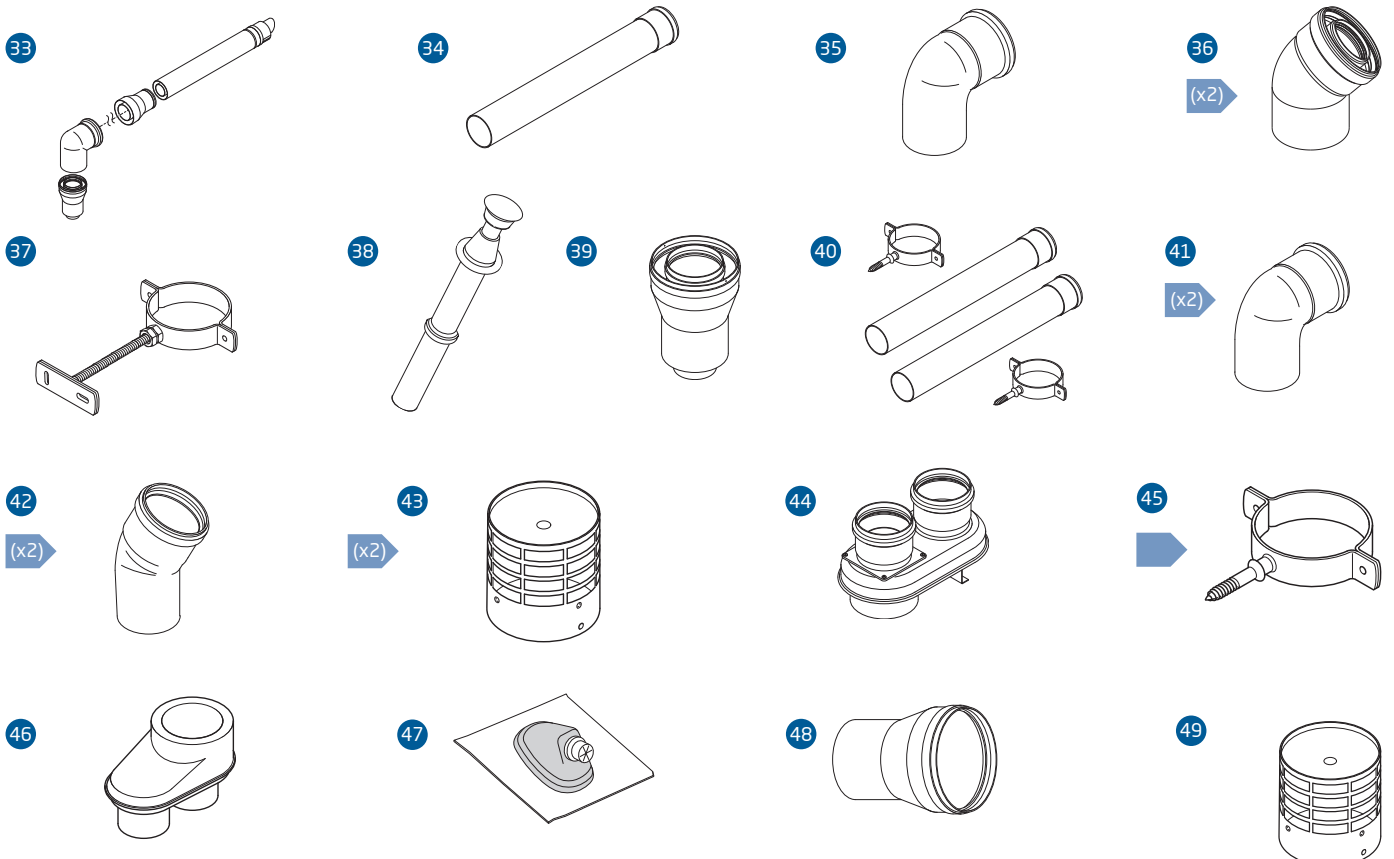
### Multifit Flue Group G

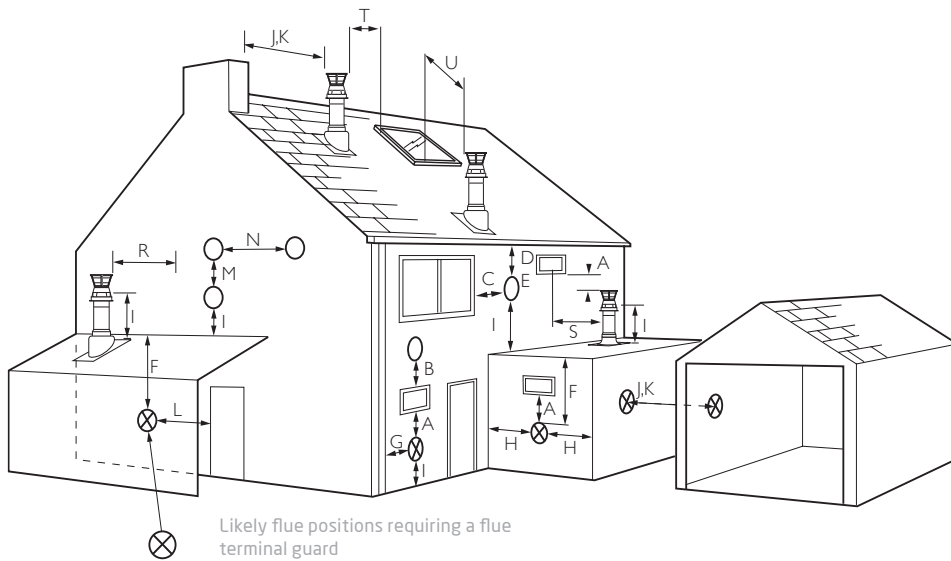
Item	Description (multifit) flue system	Colour	Specification	Key and OD dimensions	Sales code
33	Horizontal flue inc. boiler and terminal adaptors	Black		125mm	5118580
34	1m flue extension	White	1000mm	125mm	5118584
35	Flue bend	White	91.5°	125mm	5118588
36	Flue bend (pair)	White	135°	125mm	5118597
37	Pipe support bracket	White	125mm flue pipes	125mm	5118610

## Vertical concentric flues Ø 80/125mm

### Multifit Flue Group G

Item	Description (multifit) flue system	Colour	Specification	Key and OD dimensions	Sales code
38	Vertical flue terminal	Black		125mm	5111078
34	1m flue extension	White	1000mm	125mm	5118584
35	Flue bend	White	91.5°	125mm	5118588
36	Flue bend (pair)	White	135°	125mm	5118597
30	Roof cover plate			125mm	246143
39	Flue vertical adaptor	White		100/125mm	5111070
31	Pitched roof flashing		25°/55°	125mm	5122151
32	Flat roof flashing			125mm	246144
36	Pipe support brackets	White	125mm flue pipes	125mm	5118610

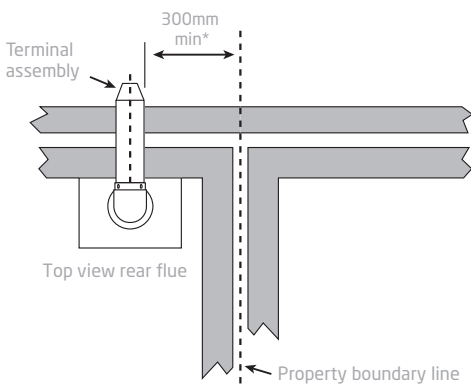




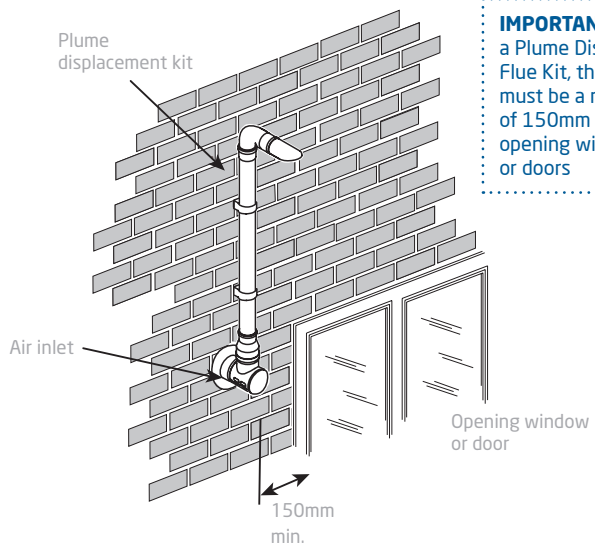
### Terminal position with minimum distance

- A<sup>1</sup> Directly below an opening, air brick, opening windows etc
- B<sup>1</sup> Above an opening, air brick, opening window etc
- C<sup>1</sup> Horizontally to an opening, air brick, opening window etc
- D<sup>2</sup> Below gutters, soil pipes or drain pipes
- E<sup>2</sup> Below eaves
- F<sup>2</sup> Below balconies or car port roof
- G<sup>2</sup> From a vertical drain pipe or soil pipe
- H<sup>2</sup> From an internal or external corner
- I Above ground, roof or balcony level
- J From a surface or boundary line facing a terminal
- K From a terminal facing a terminal (Horizontal flue)
- K From a terminal facing a terminal (Vertical flue)

<table border="0"> <tr><td>(mm)</td><td>L</td><td>From an opening in a carport (e.g. door, window) into the dwelling</td><td>1200</td></tr> <tr><td></td><td>M</td><td>Vertically from a terminal on the same wall</td><td>1500</td></tr> <tr><td></td><td>N</td><td>Horizontally from a terminal on the same wall</td><td>300</td></tr> <tr><td></td><td>R</td><td>From adjacent wall to flue (vertical only)</td><td>300</td></tr> <tr><td></td><td>S</td><td>From an adjacent opening window (vertical only)</td><td>300</td></tr> <tr><td></td><td>T</td><td>Adjacent to windows or openings on pitched and flat roofs</td><td>600</td></tr> <tr><td></td><td>U</td><td>Below windows or openings on pitched roofs</td><td>2000</td></tr> </table>	(mm)	L	From an opening in a carport (e.g. door, window) into the dwelling	1200		M	Vertically from a terminal on the same wall	1500		N	Horizontally from a terminal on the same wall	300		R	From adjacent wall to flue (vertical only)	300		S	From an adjacent opening window (vertical only)	300		T	Adjacent to windows or openings on pitched and flat roofs	600		U	Below windows or openings on pitched roofs	2000	<ol style="list-style-type: none"> <li>1. In addition, the terminal should be no nearer than 150mm to an opening in the building fabric formed for the purpose of accommodating a built-in element such as a window frame.</li> <li>2. Only ONE 25mm clearance is allowed per installation. If one of the dimensions D, E, F, G or H is 25mm then the remainder MUST be as B.S.5440-1.</li> </ol>
(mm)	L	From an opening in a carport (e.g. door, window) into the dwelling	1200																										
	M	Vertically from a terminal on the same wall	1500																										
	N	Horizontally from a terminal on the same wall	300																										
	R	From adjacent wall to flue (vertical only)	300																										
	S	From an adjacent opening window (vertical only)	300																										
	T	Adjacent to windows or openings on pitched and flat roofs	600																										
	U	Below windows or openings on pitched roofs	2000																										

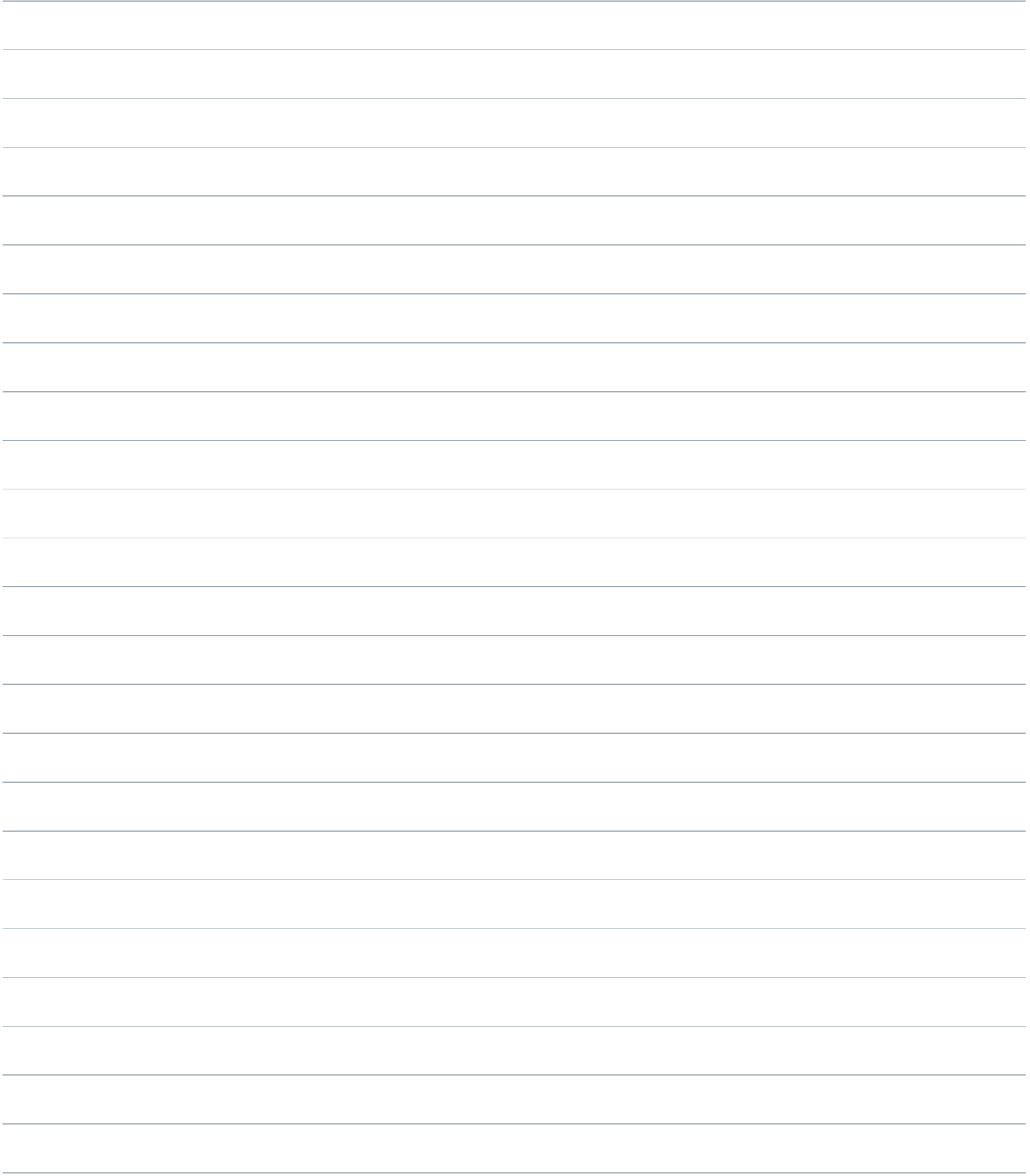


**NOTE:** The distance from a fanned draught appliance terminal installed parallel to a boundary may not be less than 300mm in accordance with the diagram.



**IMPORTANT:** If fitting a Plume Displacement Flue Kit, the air inlet must be a minimum of 150mm from any opening windows or doors





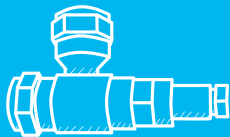
# How we can help



## Baxi Customer Support

- Team of experts with products at hand to support installation, service and repair
- Further technical support and how-to videos available at [baxi.co.uk](https://www.baxi.co.uk)

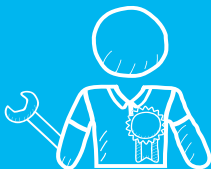
Call us on **0344 871 1525**



## Baxi Genuine Parts

- Approved parts for Baxi products
- Guaranteed quality, safety and reliability
- Nationwide network of approved stockists
- Lifetime support for Baxi products
- Range of heating essentials available

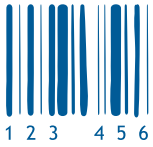
Call our knowledgeable and helpful team on **0344 871 1540** or visit [baxi.co.uk/baxi-genuine-parts.htm](https://www.baxi.co.uk/baxi-genuine-parts.htm) to identify parts and find your nearest stockist



## Training

- Practical, hands on training
- Free of charge product training
- A range of specialist courses
- Expert trainers, all accredited, former heating engineers
- Training centres across the UK

Visit [baxi.co.uk/training](https://www.baxi.co.uk/training) or call **0344 335 4207**



## Baxi Works

Sign up to **Baxi Works**, Baxi's online loyalty scheme for installers. Benefits include:

- Same or next day engineer call out from Baxi Customer Support\*
- Free Gas Safe notification and easy warranty registration
- Scan your barcodes using the Baxi Toolbelt App
- Free annual service reminders sent to your customers on your behalf
- Free listing on [baxi.co.uk](http://baxi.co.uk) to receive homeowner leads
- Earn points for every boiler you register

Visit [baxiworks.co.uk](http://baxiworks.co.uk) to find out more



## Events

Visit Baxi Area Sales Managers at your local merchant for an opportunity to get your hands on the latest Baxi boilers and discuss developments in the heating industry.

For more information and to join us at a merchant local to you, visit [baxievents.co.uk](http://baxievents.co.uk)



## Literature

You can order all the literature you need for you and your customers, including:

- Range guides
- Product brochures for consumers
- Installation instructions
- User guides
- Instructions for discontinued products

Call the Baxi literature hotline on **0344 871 1525** or contact your local Baxi Area Sales Manager.

All our literature can be downloaded from our website [baxi.co.uk](http://baxi.co.uk)



0344 871 1525

#### Opening hours

Monday - Friday, 8.00am - 6.00pm

Weekends and bank holidays, 8.30am - 2.00pm

We are open 365 days a year.

Please note calls may be monitored or recorded.



[baxi.co.uk](http://baxi.co.uk)



[info@baxi.co.uk](mailto:info@baxi.co.uk)



Baxi

Brooks House

Coventry Road

Warwick CV34 4LL



This brochure is printed on paper sourced from well managed forests and other controlled sources. This brochure is printed using vegetable based inks. Please recycle this brochure when you have finished with it.

Baxi policy is one of continual improvement and development. The right to change specification and appearance without prior notice is reserved. The reproduction of colours is as accurate as photographic and printing processes allow. The consumer's statutory rights are not affected. e&oe

600,400,200Range/Apr18

**BAXI**  
Make it easy