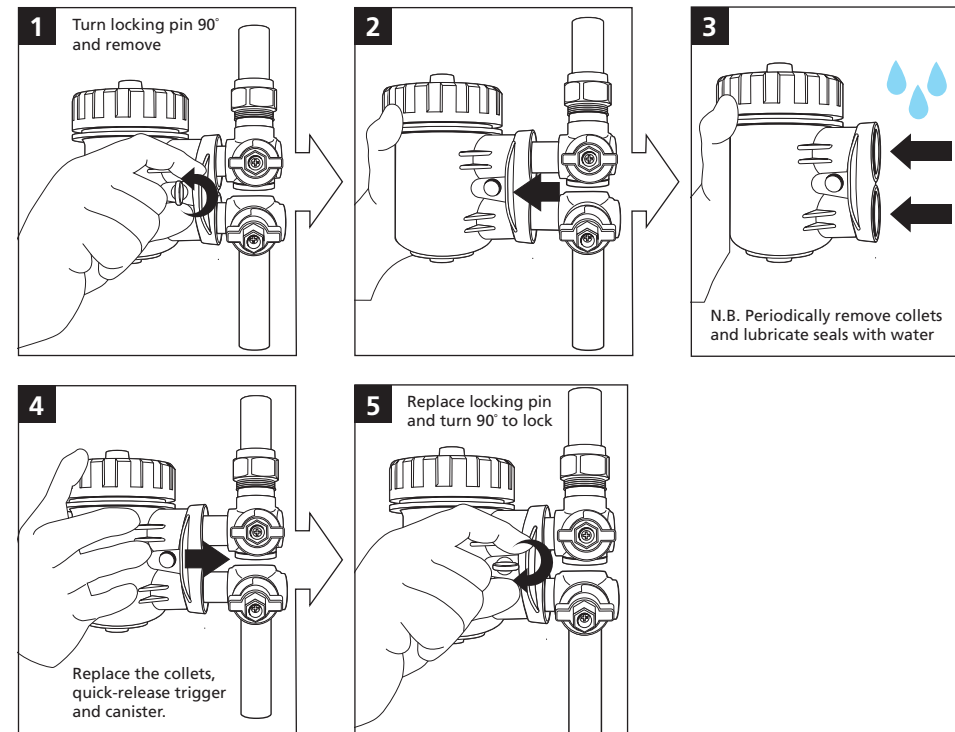


Quick-release trigger

MagnaClean[®] *Micro2* incorporates a secure, quick-release, trigger which enables the filter to be removed and re-installed in seconds.

The industry leading connections are an integral part of the new *MagnaClean Micro2* design. They enable easy and speedy filter removal during annual servicing or to undertake a *MagnaCleanse* system flush. This also makes it ideal for systems where there is little room to install a filter.

The following instructions are designed to support engineers in the safe and effective servicing of *MagnaClean Micro2* using the quick-release trigger.



FOR BEST RESULTS

Install and service with *MC1+*, the advanced system inhibitor from the UK's No 1 manufacturer of magnetic filters.

MagnaClean[®]

Micro 2

Installation and servicing instructions

Maximum working pressure: 6 bar	Maximum working temperature: 95°C
Flow rate: <50 l/min	Flow: Bi-directional
Valve A: Double depth socket, slip couplet	Valve B: Single depth socket

CAUTION:



MagnaClean filter contains a strong magnet. Keep away from all electrical devices, bank cards and other magnetic devices.



MagnaClean filter contains a strong magnet. Caution should be taken at all times when handling if you have a pacemaker fitted.



MagnaClean filter is a pressurized device. Always release pressure before servicing.



Unit may be hot in operation. Handle with care.

IMPORTANT Always follow the Standard Electrical Best Practice guidelines when installing a *MagnaClean* filter. A copy of these can be found at <http://www.hse.gov.uk/electricity>

To maintain earth continuity in accordance with current IEE regulations, when required a suitable earth bonding cable should be fitted to the pipework to bypass the product. Refer to NICEIC 17th edition for more information

ADEY[®]

PROFESSIONAL HEATING SOLUTIONS

Telephone: 01242 546717 Email: info@adey.com

www.adey.com



Produced from recycled material
A carbon neutral company

LF2-01-01366

M02730



ADEY[®]

PROFESSIONAL HEATING SOLUTIONS

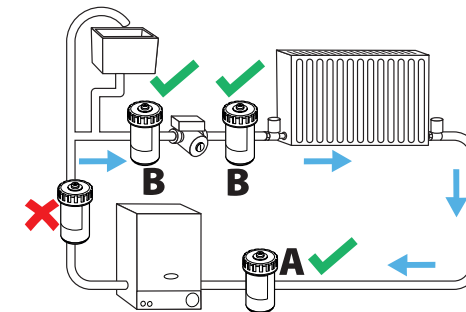


Installation

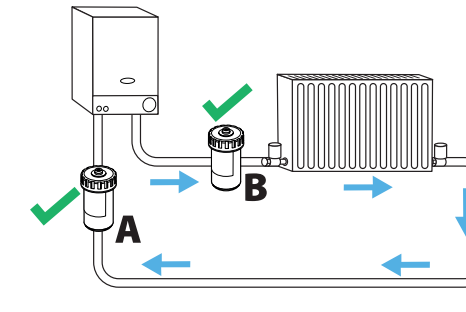
MagnaClean® Micro2 has been developed by the company that pioneered magnetic filtration. ADEY's filters protect more than three million central heating systems in UK homes removing virtually 100% of the damaging suspended black iron oxide sludge that builds up in all heating systems.

The dual-action filter can be installed anywhere on the main circuit. However, to achieve the best level of protection for the boiler, it is recommended that *MagnaClean Micro2* is fitted after the last radiator and before the boiler.

The following instructions are designed to support engineers in the safe and effective installation and servicing of *MagnaClean Micro2* and should be followed at all times. Ensure the filling loop is fitted after the filter. The lid seal should be checked for wear when servicing *MagnaClean*. It is best practice to replace the lid seal at each service. To arrange replacements please visit adeyspars.co.uk or contact the ADEY Team on 01242 546717.

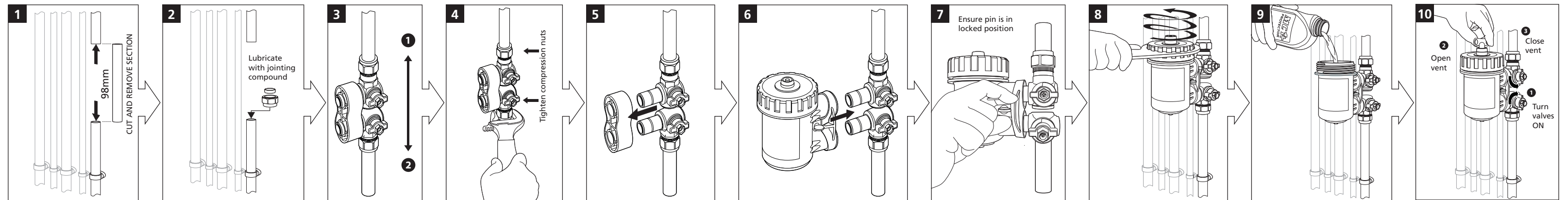


Open vented system



Combi/Sealed system

In both diagrams, position A is recommended as part of ADEY's Best Practice™ approach. Position B is suitable if space is tight on the return. When completing a system flush using *MagnaCleanse®* always ensure this is installed and carried out on the return pipe of the system for optimum boiler protection.



Servicing

Your system is protected by
MagnaClean®
Micro2
 Annual service required
www.adey.com

