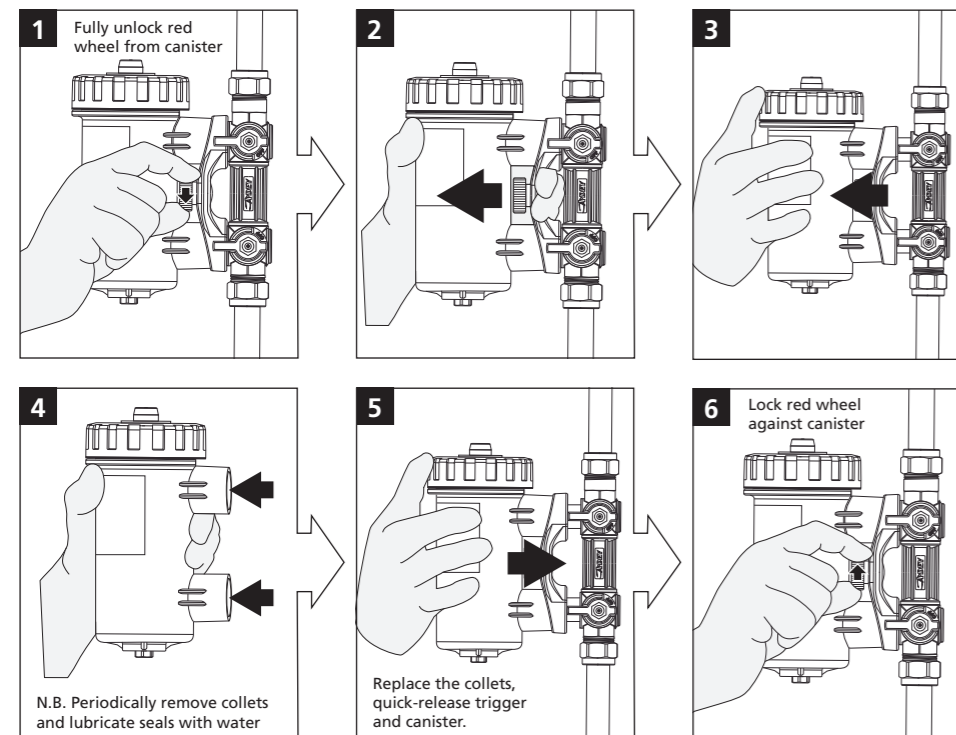


Quick-release trigger

MagnaClean® Professional2 incorporates a secure, quick-release, trigger which enables the filter to be removed and re-installed in seconds.

The industry leading connections are an integral part of the new MagnaClean Professional2 design. They enable easy and speedy filter removal during annual servicing or to undertake a MagnaCleanse system flush. This also makes it ideal for systems where there is little room to install a filter.

The following instructions are designed to support engineers in the safe and effective servicing of MagnaClean Professional2 using the quick-release trigger.



FOR BEST RESULTS

Install and service with MC1, the new advanced system inhibitor from the UK's No 1 manufacturer of magnetic filters.

MagnaClean Professional2

MagnaClean® Professional2 is a proven, high efficiency, full-flow, magnetic and non-magnetic filter designed to protect domestic central heating systems removing virtually 100% of suspended black iron oxide.

In an age of advanced, high efficiency gas and oil boilers, there's never been a greater need to safeguard what amounts to one of the most important and expensive appliances in the modern home – The central heating system. Even a small build-up of iron oxide debris in a modern efficiency boiler results in substantial efficiency loss and energy wastage. Not only does the system perform inadequately, it costs more to run and maintain.

IMPORTANT Always follow the Standard Electrical Best Practice guidelines when installing a MagnaClean filter. A copy of these guidelines can be found at www.hse.gov.uk/electricity

The inlet and outlet on MagnaClean Professional2 are reversible and there is no flow restriction. Following installation, don't forget to complete the warranty card. Alternatively, complete the registration online at www.adey.co.uk
This product is backed by a two year limited guarantee.

MagnaClean® Professional 2

Installation and servicing
instructions



ADEY

PROFESSIONAL HEATING SOLUTIONS

Telephone: 01242 546700 Email: info@adey.co.uk

www.adey.co.uk

Produced from recycled material
A carbon neutral company

Ref: MCP2/IS-201212

ADEY

PROFESSIONAL HEATING SOLUTIONS



THE QUEEN'S AWARDS
FOR ENTERPRISE
INNOVATION
2012

Installation

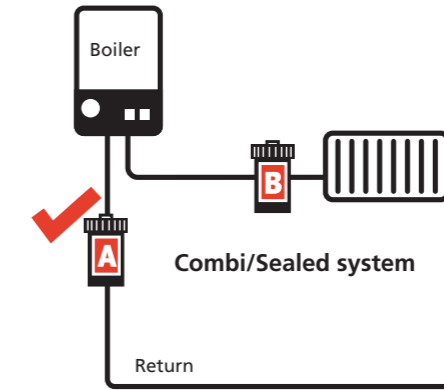
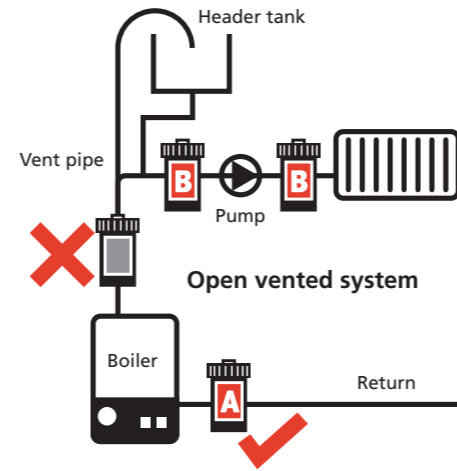
MagnaClean® Professional2 has been developed by the company that pioneered magnetic filtration. ADEY's filters protect more than a million central heating systems in UK homes removing virtually 100% of the damaging suspended black iron oxide sludge that builds up in all heating systems.

The dual-action filter can be installed anywhere on the main circuit. However, to achieve the best level of protection for the boiler, it is recommended that **MagnaClean Professional2** is fitted after the last radiator and before the boiler.

In determining a suitable location, it is important to allow adequate access for servicing.

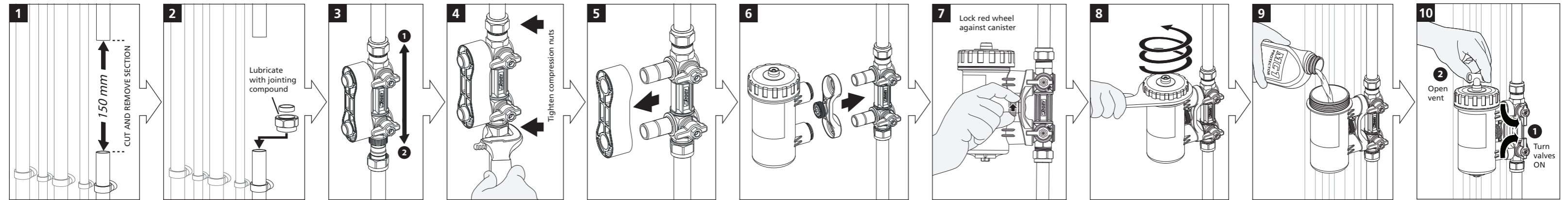
The following instructions are designed to support engineers in the safe and effective installation and servicing of **MagnaClean Professional2** and should be followed at all times.

Any queries should be directed to your supervisor or ADEY direct on: 01242 546700.



In both diagrams, position **A** is best practice, while **B** is suitable.

N.B. We firmly recommend **MagnaClean Professional2** is installed and serviced by a qualified heating engineer.



Servicing

Your system is protected by
MagnaClean® Professional 2
Annual service required
www.adey.co.uk

