



# HEATING

GAS BOILERS

HOT WATER | HEATING | RENEWABLES

[ariston.co.uk](http://ariston.co.uk)

# THERE IS A PERFECT TEMPERATURE FOR EVERYTHING...

Ariston heating systems deliver quality, efficiency and innovation. We're the 3rd largest manufacturer of heating products in Europe. You can count on us for the perfect combination of cutting edge technology, elegant design and the very best service and support when you need it most.

## QUALITY

We provide the highest quality heating solutions. Performance and excellence are at the heart of our products and after sales support.

## EFFICIENCY

We're committed to energy efficiency and leading the way in ecodesign – our heating systems save money, and the environment.

## INNOVATION

Our innovative boilers, advanced temperature control systems and accessories are at the cutting edge of heating technology.

## COUNT ON US.

## GAS BOILERS

<b>WHY ARISTON?</b>	<b>4</b>
<b>COUNT ON US...</b>	<b>5</b>
<b>ErP</b>	<b>6-7</b>
<b>'AUTO' FUNCTION (TEMPERATURE MANAGEMENT)</b>	<b>8-9</b>
<b>DOMESTIC <i>evo</i> BOILERS</b>	<b>10-11</b>
CHOOSING THE RIGHT BOILER	12-13
E-COMBI <i>evo</i>	14-15
E-SYSTEM <i>evo</i>	16-17
CLAS HE <i>evo</i>	18-19
CLAS HE SYSTEM <i>evo</i>	20-21
CLAS HE-R	22-23
<b>ARISTON CONTROLS</b>	<b>24-25</b>
<b>COMMERCIAL BOILERS</b>	<b>26-27</b>
GENUS HP <i>evo</i>	28-29
<b>FLUES AND ACCESSORIES</b>	<b>30-31</b>
<b>TECHNICAL DATA</b>	<b>32-33</b>
<b>HOT WATER</b>	<b>34</b>
<b>RENEWABLES</b>	<b>35</b>
<b>ARISTON ACADEMY</b>	<b>36-37</b>
<b>CUSTOMER CARE &amp; QUALITY</b>	<b>38-39</b>



# WHY ARISTON?

**DELIVERING QUALITY, EFFICIENCY AND INNOVATION, ARISTON PRODUCTS ARE DESIGNED TO MEET THE NEEDS OF MODERN LIFE. MILLIONS OF FAMILIES AROUND THE WORLD TRUST ARISTON TO IMPROVE AND SIMPLIFY THEIR LIVES.**

Thanks to this trust, we're the No. 1 manufacturer of water heaters in the world and the 3rd largest manufacturer of heating products in Europe. In addition to a wide range of intelligent boilers and water heaters, we also offer the latest renewable energy sources including solar thermal panels and heat pump water heaters.



**DESIGNED IN ITALY,  
READY FOR THE WORLD**

DESIGN ITALIANO



## 24 / 7 CUSTOMER SERVICE

Our after sales support provides a team of highly skilled experts on hand to offer advice and assistance, wherever you are, whenever you need it. Specialists in our product areas, the team are well equipped to deal with all Ariston models and installations. With the knowledge that an Ariston expert can answer your call within 20 seconds, you can rest assured that you can count on us 24 hours a day, 7 days a week.

### CUSTOMER SERVICE

T: 0333 240 8777

E: [customer.service.uk@aristonthermo.com](mailto:customer.service.uk@aristonthermo.com)



## SPARES AND EXTRAS

Our products are manufactured to the highest quality so you can be confident in the reliability of every Ariston product. For spare parts or extras, our dedicated team and national network of stockists will help you get the correct product, fast.

### SPARES AND EXTRAS

T: 0333 240 6777

E: [spares.identification.uk@aristonthermo.com](mailto:spares.identification.uk@aristonthermo.com)



## ARISTON CONNECTIONS

We're committed to providing our valued installers with the personal service and support they need to grow their business. We continuously improve our connection installer partnership scheme, offering rewards for any Ariston products sold, with other benefits including free Gas Safe notifications, up to the minute training and seasonal gifts. **Find out more at [www.aristonconnections.co.uk](http://www.aristonconnections.co.uk).**



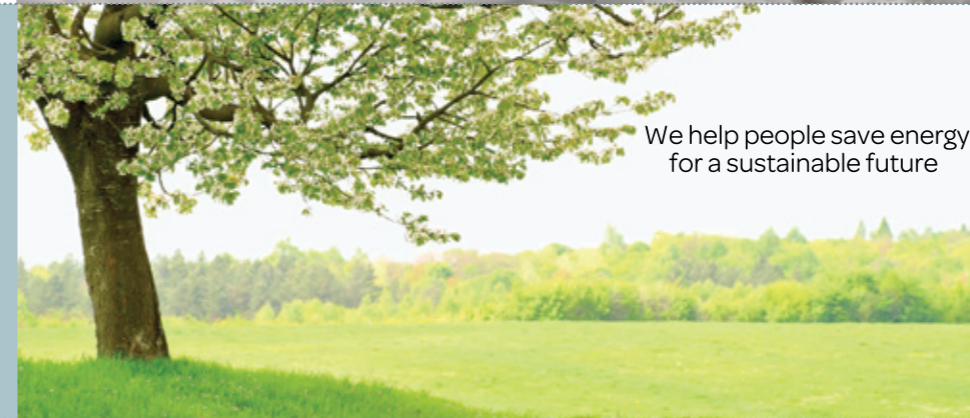
### MARKETING

T: 01494 418 590

E: [connections.uk@aristonthermo.com](mailto:connections.uk@aristonthermo.com)

# COUNT ON US...

Reliability, consistency and service: that is what sets Ariston apart from other heating professionals. Consumers come to us for the products and service that will not let them down. Our commitment to leading the way in advanced heating solutions combined with our dedication to providing the very best service means that the delivery of our products is only the beginning. We're with you every step of the way and you can count on us for the best products, support and training.



We help people save energy  
for a sustainable future

**80%**  
HIGH EFFICIENCY  
RENEWABLES  
BY 2020



## TRAINING

In just three quick and easy steps, you can become an Ariston accredited installer. Hands-on, practical and rewarding, our Ariston academy provides you with the knowledge and support on the latest technologies. Our practical courses will give you all the skills you need for fast, trouble-free installation and servicing. Installers who complete their training with Ariston receive £300\* boiler cashback. **Find out more at [www.aristonacademy.co.uk](http://www.aristonacademy.co.uk).**

### TRAINING TEAM

T: 01494 418 585

E: [training.uk@aristonthermo.com](mailto:training.uk@aristonthermo.com)

\*Terms & Conditions apply.



## INSTALLATION AND WARRANTIES

As you will see on our home installation pages, our product solutions are quick and easy to install and set-up. We're so sure of the quality, service and efficiency that we offer an extended warranty with all our products. With gold and silver warranties of up to 8 and 12 years on our heating products, Ariston ensures you and your customers total peace of mind.

### SALES TEAM

T: 0333 240 6666

E: [salesoffice@aristonthermo.com](mailto:salesoffice@aristonthermo.com)

### TECHNICAL SUPPORT

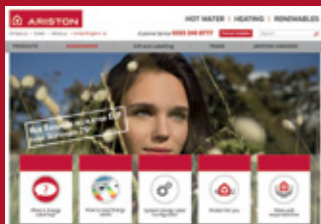
T: 0333 240 7777

E: [techhelpdesk@aristonthermo.com](mailto:techhelpdesk@aristonthermo.com)

# ARE YOU READY FOR THE CHANGE?



ALL THE RESOURCES  
AT YOUR  
FINGERTIPS.



FIND YOUR  
COMPLETE  
GUIDE TO ErP  
ON THE  
ARISTON WEBSITE.

[ariston.com/uk/erp](http://ariston.com/uk/erp)



By 2020, designing and promoting the highest performance technologies will save the same amount of energy as two nations the size of Italy turning off their power simultaneously. That is a total annual energy saving of 56 million tons of oil.

## ECODESIGN DIRECTIVE

Regulations will only apply to products placed on the market after 26/09/2015; those purchased before that date, and already available at sale points of distributors' warehouses, can continue to be sold and installed, even if they are not compliant with new standards, for up to 1 year.

## EVERYTHING CHANGES: SEPTEMBER 2015

Starting from 26th September 2015, ErP and energy labelling regulations will be effective in Europe for heating and water heating products (boilers, heat pumps, micro-cogeneration devices, water heaters, and hot water storage tanks).

26.09.2015



Energy labelling obligation for heating and water heating products and systems.

2017

A+  
Introduction for  
Water Heating

2019

A+++  
Introduction for  
Heating Products



Minimum level of efficiency required for heating and water heating products.

New requirements on efficiency and emissions.

## ERP GUIDELINES ARE SPLIT INTO TWO SECTIONS: ECODESIGN

Ecodesign sets the minimum energy performance and environment criteria for energy products.

Products must comply in order to bear a CE (CE) mark and be available for sale.

## ENERGY LABELLING

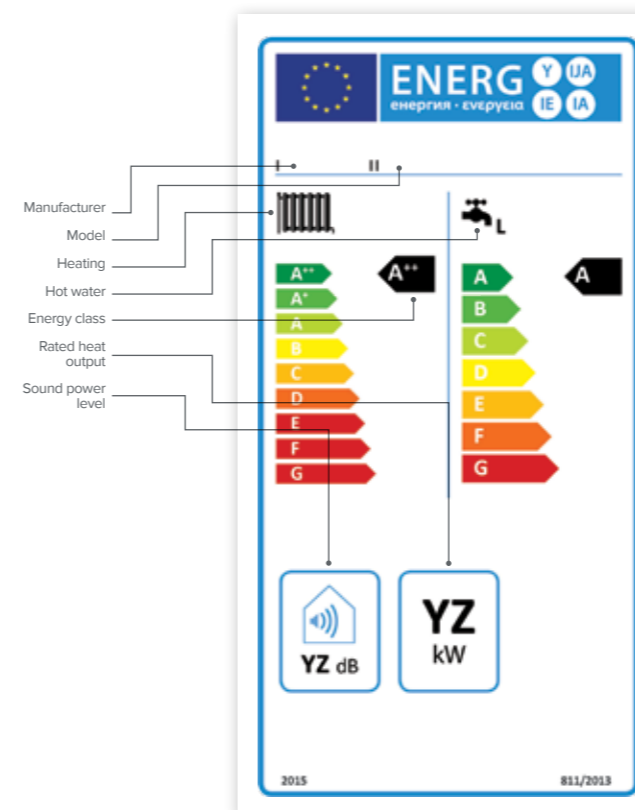
All products and systems for heating, producing and storing hot water will need to be labelled with an energy classification ranging from A++ to G.

These labels will make it easier to identify the most efficient products with A++ being the most economical products available.

### THE PRODUCT ENERGY LABEL

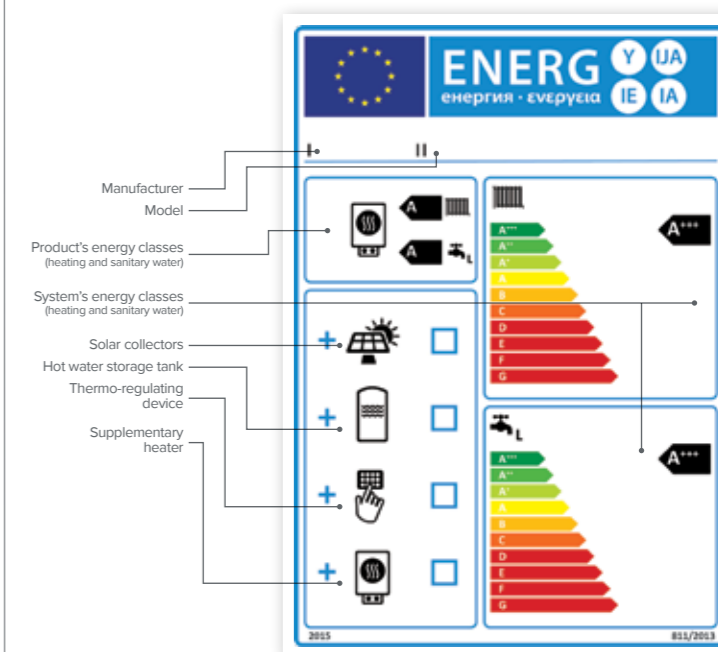
There are different labels, depending on the product's type and functions. The A, A+ and A++ efficiency classes indicate the products with the highest performances.

There are two different classifications, one for heating and one for water heating; for products doing both, the label must show both classifications.



### THE SYSTEM ENERGY LABEL

All products intended to be connected in systems need to have a system (package) label, in addition to the one related to the single product. The seller of the system has to declare (through a predefined algorithm) the energy efficiency performance showed on the system label.



For more information, visit our dedicated ErP portal at [ariston.com/uk/erp](http://ariston.com/uk/erp)



# THE PERFECT TEMPERATURE

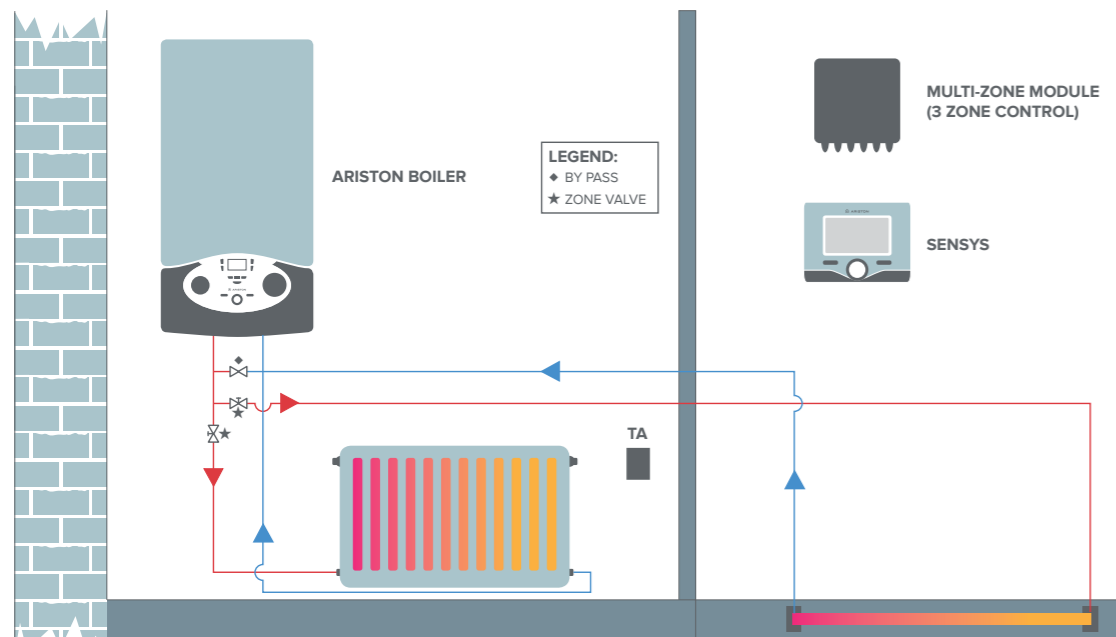
OUR INNOVATIVE HEATING SOLUTIONS AND MULTI-ZONE TEMPERATURE MANAGEMENT LEADS THE WAY.

We offer complete heating solutions that can bring intelligent control, ultimate comfort and cost saving efficiencies to every home.



## MULTI-ZONE SYSTEMS

THE ARISTON MULTI-ZONE SYSTEM SAVES YOUR CUSTOMERS MONEY AND CUTS CARBON EMISSIONS. USING THE SENSYS INTERFACE AND MULTI-ZONE MODULE, UP TO THREE TEMPERATURE ZONES CAN BE EASILY MANAGED INDEPENDENTLY.



2-zone diagram shown. Please contact your local Ariston representative for further information.

When a heating system consists of two or more installations that need to operate at different temperatures, the Ariston multi-zone system can save customers time, effort and wasted energy.

Consider a heating system that combines an underfloor installation with a traditional radiator installation. The underfloor installation doesn't need to operate at the higher temperatures of the radiator installation. The Sensys interface and Multi-Zone Module system controls both installations independently; conserving energy and saving money.

## 'AUTO' FUNCTION

THE ADVANCED ARISTON 'AUTO' FUNCTION INTELLIGENTLY MANAGES ROOM TEMPERATURE WHILE GUARANTEEING MAXIMUM ENERGY EFFICIENCY.

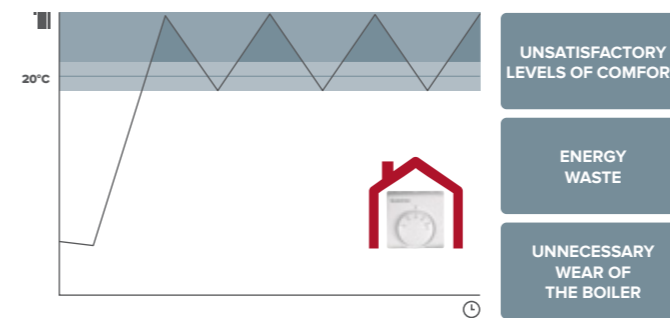


Pressing the 'AUTO' button on the control panel automatically instructs the boiler to choose the ideal temperature for the central heating circuit.

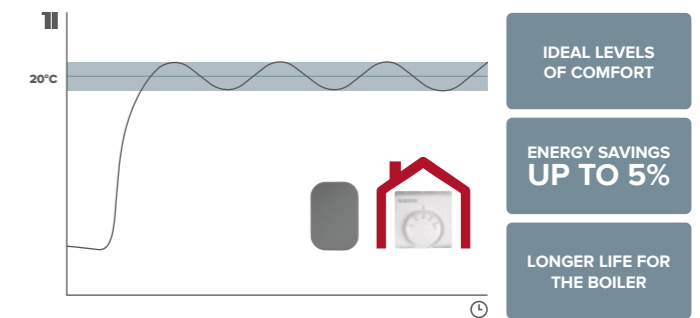
'AUTO' function gradually increases the system water temperature until room temperature reaches target. When used in conjunction with our extensive range of controls, the 'AUTO' function guarantees no excessive peaks in flow temperature and ensures greater levels of comfort whilst saving you money.



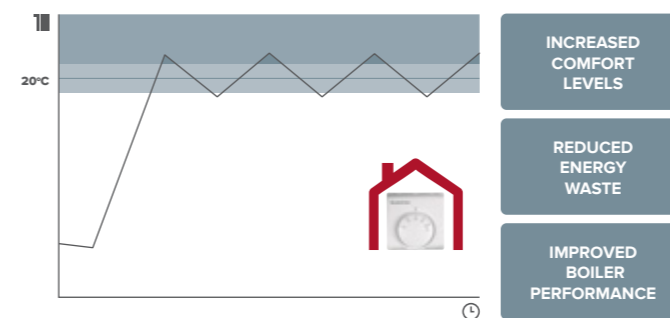
### CONDENSING BOILER WITH AN ON/OFF ROOM THERMOSTAT



### ARISTON BOILER WITH 'AUTO' FUNCTION, ROOM THERMOSTAT AND OUTDOOR SENSOR

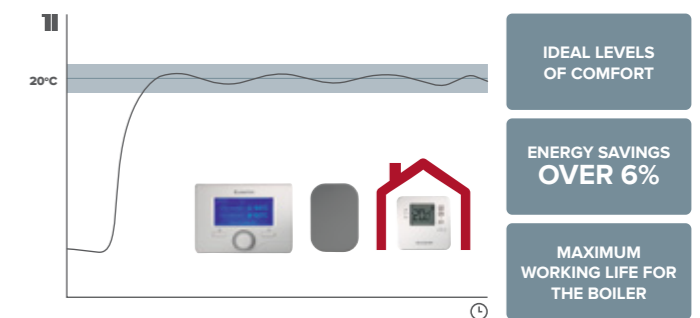


### ARISTON BOILER WITH 'AUTO' FUNCTION AND ON/OFF ROOM THERMOSTAT\*



\*Compared to a standard condensing boiler

### ARISTON BOILER WITH 'AUTO' FUNCTION, SENSYS, MODULATING ROOM SENSOR AND OUTDOOR SENSOR\*





STAINLESS STEEL  
PRIMARY HEAT  
EXCHANGER WITH  
ISOTHERMAL  
CASING

TOTAL PREMIXING  
BURNER WITH  
LOW NOX  
EMISSIONS

IGNITER

ELECTRODES

SELF ADJUSTING  
MODULATING FAN

INNOVATIVE  
SILENCER FOR  
IMPROVED  
ACOUSTIC  
COMFORT

MULTIFUNCTIONAL  
BACKLIT  
LED DISPLAY

'AUTO' FUNCTION  
BUTTON

PRESSURE GAUGE

TIME CLOCK

# DOMESTIC evo BOILERS

Our innovative range of boilers exceeds ErP requirements. With intelligent 'AUTO' function controls, they're efficient and intelligent, helping to cut energy costs and reduce carbon emissions.

The Ariston evo range is an evolution in boiler technology, making it easy and efficient to reach and maintain the perfect temperature in the home.

Our Combi boilers offer excellent domestic hot water flow rates and provide great energy savings thanks to its intelligent technology and 'AUTO' function option.

The Ariston heating range makes it easier than ever to reach, maintain and control the ideal temperature.

Ariston regular boilers are small but mighty, providing advanced heating power even when space is limited whilst offering the quality, innovation and excellent performance you would expect from an Ariston product.

Combine our boiler range with Ariston's own range of controls to boost energy efficiency and cost savings.

Count on us for the perfect combination of cutting edge technology, elegant Italian design and complete peace of mind.

## KEY FEATURES

Here's why our Ariston boilers are the installers' choice:

- 'AUTO' function for optimum efficiency
- Compact dimensions
- 2, 5, 8 and 12 year warranties available
- Easy installation
- Kiwa approved
- LPG conversion kits included
- ErP compliant high efficiency pump



# CHOOSING THE RIGHT BOILER

## WHICH TYPES OF BOILER ARE AVAILABLE?

### COMBI



### SYSTEM



### REGULAR



#### ADVANTAGES OF A COMBI

- Space-saving as there is no need for a hot water cylinder or a header tank
- Can be cheaper to install than (replacing) a regular/system boiler and cylinder
- Instant hot water which is unlimited up to the maximum flow rate of the boiler
- Water comes straight from the mains and therefore less like to suffer from loss of pressure

#### ADVANTAGES OF A SYSTEM

- No need for a cold water storage tank and therefore saving space compared to a regular boiler (but still need a cylinder for hot water)
- Separate cylinder which allows water to be provided to multiple taps simultaneously
- Ideal for homes with a large demand for hot water

#### ADVANTAGES OF A REGULAR

- Requires a separate hot water cylinder which then allows the use of multiple taps simultaneously
- Usually smaller units which operate more quietly
- Ideal for homes with a low mains pressure and space in the loft
- Many traditional homes use a regular/open vented heating system and so replacement can be less costly

## HOW DOES THIS AFFECT MY HOT WATER?

### COMBI = INSTANT HOT WATER



- Water is only heated when needed (no payment for un-used water/storage of water)
- Hot water is available instantly (up to maximum flow rate of boiler)
- Often cheaper to install than a stored hot water system
- No stored water means no chance of harmful bacteria growing

### SYSTEM/REGULAR = STORED HOT WATER



- Can combine with renewable energy sources such as solar panels in conjunction with solar cylinders
- Emergency back-up immersion heater can be used if the boiler fails so hot water is always available (once heated)
- Can deal with high levels of demand by buying the appropriately sized cylinder for a household

## CHOOSING AN ARISTON BOILER

**IN ALL SPECIFICATION, CHOOSING AND INSTALLING A NEW BOILER SHOULD INVOLVE A PROFESSIONAL TO ADVISE ON THE BEST SUITED SYSTEMS FOR SPECIFIC HEATING AND HOT-WATER DEMANDS.**

Ariston manufactures all three types of gas boiler with excellent warranty options, as well as cylinders, water heaters and smart controls to ensure optimum efficiency whilst maintaining a high level of comfort in the home.







## E-COMBI evo

### 24 30 38

#### A HIGH EFFICIENCY GAS COMBI BOILER DESIGNED FOR EASY INSTALLATION.

The stylish and compact E-COMBI evo brings quality, performance and reliability. Endorsed by the Energy Saving Trust this innovative boiler with advanced 'AUTO' function can help cut energy costs and reduce carbon emissions.

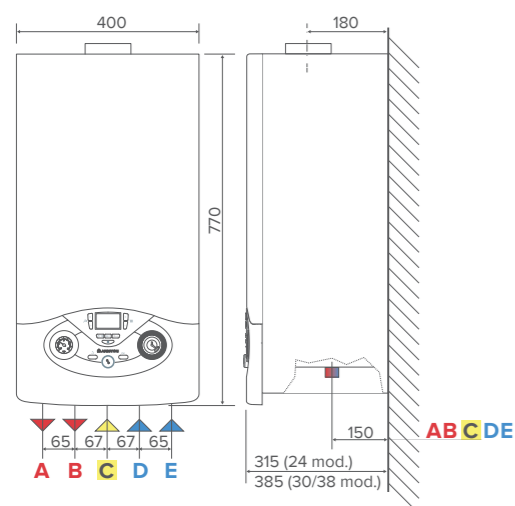
The user-friendly interface has a backlit LCD display, pressure gauge, time clock and intuitive button layout.

### KEY FEATURES

Here's why our combi boilers are the installers' choice:

- Output range from 24 to 38kW
- 'AUTO' function technology
- No hot water cylinder requirements
- Stainless steel heat exchanger
- Built in automatic by-pass
- LPG conversion kit as standard
- Auto-diagnostic system
- Anti-frost and anti-scale device
- Connection kit and filling loop
- High hot water flow rates
- Range of wired and wireless controls available
- Three temperature zone capability when used with Sensys controller
- 'A' ErP rated for energy efficiency

### DIMENSIONS



#### LEGEND

- A** Central heating flow 22mm compression
- B** Domestic hot water outlet 15mm compression
- C** Gas inlet 15mm compression (24 & 30FF) 22mm compression (38FF)
- D** Domestic hot water inlet 15mm compression
- E** Central heating return 22mm compression

 **SEE PAGE 32-33 FOR FULL SPECIFICATION,  
TECHNICAL DATA AND COMPATIBLE CONTROLS.**

OUR REFERENCE	PRODUCT CODE	DESCRIPTION	CH Output (kW)	DHW flow (l/min) @ΔT 35°C
ECOM24	3300753	E-COMBI evo 24	21.5	10.3mins
ECOM30	3300755	E-COMBI evo 30	27.3	12.9mins
ECOM38	3300756	E-COMBI evo 38	30.2	15.6mins





## E-SYSTEM evo

### 24 30

#### ADVANCED PERFORMANCE FROM OUR HIGH EFFICIENCY SYSTEM BOILER.

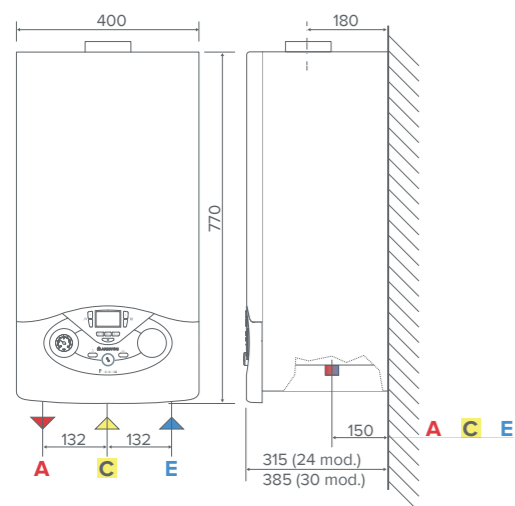
Count on the elegant E-SYSTEM evo to bring efficiency, reliability and comfort to your home. Beneath the stylish cover is a high performance system that cuts energy costs and carbon emissions.

Easy to install, the E-SYSTEM evo offers optimal performance through the innovative Ariston 'AUTO' function technology.

#### KEY FEATURES

- 2 year warranty
- 24 or 30kW output
- 'AUTO' function technology
- Stainless steel heat exchanger
- Compact and quiet
- 'A' ErP rated for optimum energy efficiency
- Three temperature zone capability when used with Sensys controller
- Built in automatic by-pass
- LPG conversion kit as standard
- Auto-diagnostic system
- Anti-frost device
- Range of wired and wireless controls available

#### DIMENSIONS



#### LEGEND

- A** Central heating flow 22mm compression
- C** Gas inlet 15mm compression
- E** Central heating return 22mm compression

These boilers also come with a fittings kit, filling loop and mains service tap should you wish to connect the pipework from the cold main directly to the boiler.



SEE PAGE 32-33 FOR FULL SPECIFICATION, TECHNICAL DATA AND COMPATIBLE CONTROLS.

OUR REFERENCE	PRODUCT CODE	DESCRIPTION	CH Output (kW)
ESYS24	3300757	E-SYSTEM evo 24	21.5
ESYS30	3300758	E-SYSTEM evo 30	27.3



# CLAS HE evo

## 24 30 38

### EXCEPTIONAL PERFORMANCE AND ADVANCED QUALITY FROM OUR HIGH-EFFICIENCY COMBI.

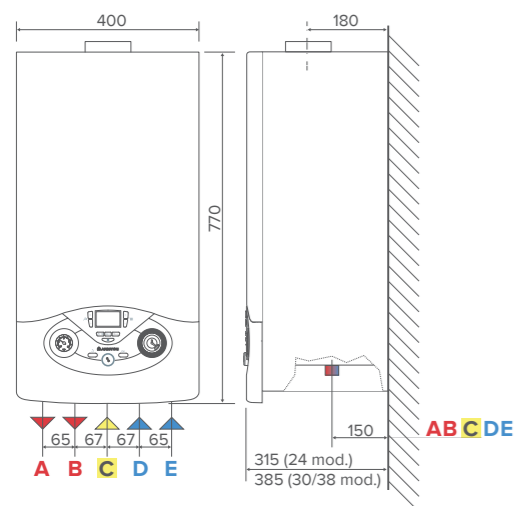
This high efficiency COMBI boiler combines the performance, quality and reliability you'd expect from Ariston. Stylish and compact, the CLAS HE evo helps to cut energy bills and reduce carbon emissions.

The simple controls, backlit LCD display, pressure gauge, time clock and intuitive button layout make it easy to manage warmth and comfort to your home.

### KEY FEATURES

- 5 year warranty (Also available with 8 and 12 year warranty)
- Output range from 24 to 38kW
- 'AUTO' function technology
- Stainless steel heat exchanger
- No hot water cylinder needed
- High hot water flow rates
- 'A' ErP rated for energy efficiency
- Three temperature zone capability when used with Sensys controller
- Auto-diagnostic system
- Anti-frost device
- Connection kit and filling loop
- Built in automatic by-pass
- Range of wired and wireless controls available

### DIMENSIONS



#### LEGEND

- A** Central heating flow 22mm compression
- B** Domestic hot water outlet 15mm compression
- C** Gas inlet 15mm compression (24 & 30FF) 22mm compression (38FF)
- D** Domestic hot water inlet 15mm compression
- E** Central heating return 22mm compression

 **SEE PAGE 32-33 FOR FULL SPECIFICATION, TECHNICAL DATA AND COMPATIBLE CONTROLS.**

OUR REFERENCE	PRODUCT CODE	DESCRIPTION	WARRANTY	CH Output (kW)	DHW flow (l/min) @ΔT 35°C
CLAS24	3300745	CLAS HE evo 24	5	21.5	10.3mins
CLAS30	3300746	CLAS HE evo 30	5	27.3	12.9mins
CLAS38	3300747	CLAS HE evo 38	5	30.2	15.6mins
CLAS24Y8	3826537	CLAS HE evo 24	8	21.5	10.3mins
CLAS30Y8	3826538	CLAS HE evo 30	8	27.3	12.9mins
CLAS38Y8	3826539	CLAS HE evo 38	8	30.2	15.6mins
CLAS24Y12	3826540	CLAS HE evo 24	12	21.5	10.3mins
CLAS30Y12	3826541	CLAS HE evo 30	12	27.3	12.9mins
CLAS38Y12	3826542	CLAS HE evo 38	12	30.2	15.6mins





# CLAS HE SYSTEM evo

## 18 24 30

A STYLISH AND COMPACT HIGH EFFICIENCY SYSTEM BOILER.

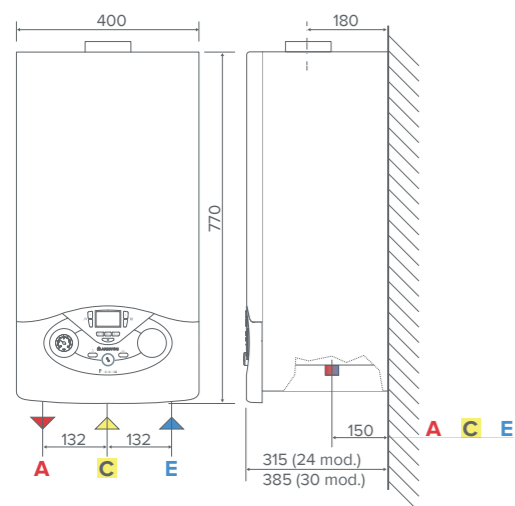
The CLAS HE System boiler offers performance, reliability and all-important money saving efficiency.

A streamlined and easy to install product, which offers advanced temperature control through being compatible with a range of accessories.

### KEY FEATURES

- 5 year warranty (also available with 8 and 12 year warranty)
- 18, 24 or 30kW output
- 'AUTO' function technology
- Stainless steel heat exchanger
- Compact and quiet
- 'A' ErP rated for optimum energy efficiency
- Three temperature zone capability when used with Sensys controller
- Built in automatic by-pass
- LPG conversion kit as standard
- Auto-diagnostic system
- Anti-frost device
- Range of wired and wireless controls available

### DIMENSIONS



#### LEGEND

- A** Central heating flow 22mm compression
- C** Gas inlet 15mm compression
- E** Central heating return 22mm compression

These boilers also come with a fittings kit, filling loop and mains service tap should you wish to connect the pipework from the cold main directly to the boiler.

SEE PAGE 32-33 FOR FULL SPECIFICATION, TECHNICAL DATA AND COMPATIBLE CONTROLS.

OUR REFERENCE	PRODUCT CODE	DESCRIPTION	WARRANTY	CH Output (kW)
CLASSYS24	3300749	CLAS HE SYSTEM evo 18	5	17.6
CLASSYS30	3300750	CLAS HE SYSTEM evo 24	5	21.6
CLASSYS38	3300751	CLAS HE SYSTEM evo 30	5	27.4
CLASSYS24Y8	3826543	CLAS HE SYSTEM evo 18	8	17.6
CLASSYS30Y8	3826544	CLAS HE SYSTEM evo 24	8	21.6
CLASSYS38Y8	3826545	CLAS HE SYSTEM evo 30	8	27.4
CLASSYS24Y12	3826546	CLAS HE SYSTEM evo 18	12	17.6
CLASSYS30Y12	3826547	CLAS HE SYSTEM evo 24	12	21.6
CLASSYS38Y12	3826548	CLAS HE SYSTEM evo 30	12	27.4



# CLAS HE REGULAR 24

## EFFICIENCY AND INNOVATION FROM THE CLAS HE REGULAR.

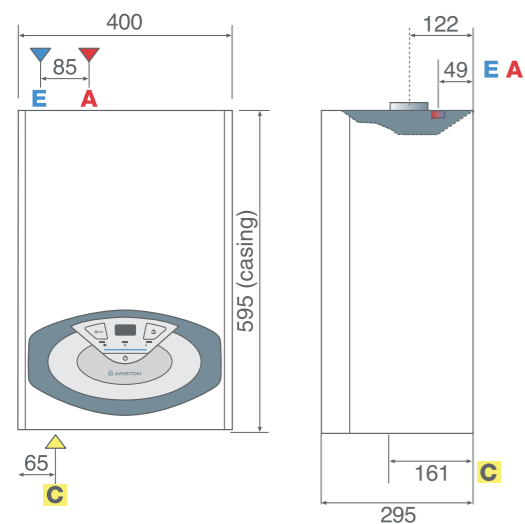
Efficient and innovative, the CLAS HE advanced control system and 'AUTO' function technology helps to save money on energy bills.

The elegant Clas HE regular boiler is compact and a great replacement in an open vented system.

## KEY FEATURES

- 5 year warranty
- 24kW output
- 'AUTO' function technology
- Stainless steel heat exchanger
- Easy to use and install
- Compact and quiet
- 'A' ErP rated for optimum energy efficiency
- Two temperature zone capability
- Auto-diagnostic system
- Anti-frost device
- Range of wired and wireless controls available
- Energy saving trust recommended

## DIMENSIONS



### LEGEND

- A** Central heating flow 22mm compression
- C** Gas inlet 15mm compression
- E** Central heating return 22mm compression

SEE PAGE 32-33 FOR FULL SPECIFICATION, TECHNICAL DATA AND COMPATIBLE CONTROLS.

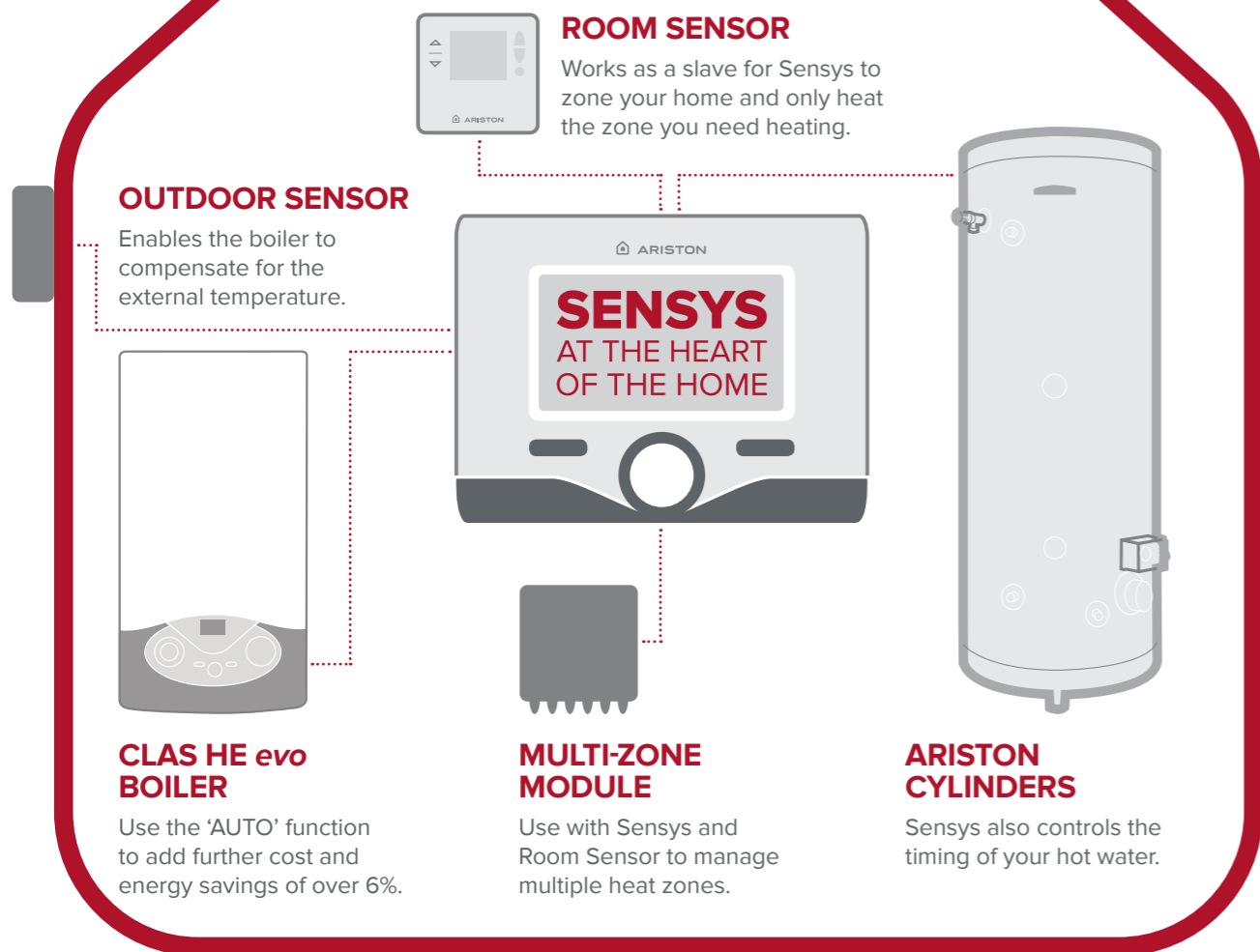
OUR REFERENCE	PRODUCT CODE	DESCRIPTION	CH Output (kW)
CLASR24	3300748	CLAS HE R 24	24.1



# CHOOSING THE RIGHT CONTROLS

Our range of intelligent controls and multi-zone temperature management bring cost saving efficiencies and comfort to every home. For ultimate temperature and efficiency management, the Sensys system interface offers an easy-to-use heating control centre. For home or space specific needs, Ariston offers a range of singular controls to complement and customise our heating solutions.

**Sensys is the controller which will control your complete heating system. Working with other products in the Ariston portfolio, comfort and energy saving go hand-in-hand.**



## SENSYS SYSTEM INTERFACE



**Achieve 6% energy savings when using the 'Auto' Function with Sensys and an Ariston Outdoor Sensor**



### MODULATING ROOM SENSOR

- Compatible with all 'evo' boilers
- Used as a slave modulating room sensor with Sensys control unit and multi-zone module for zoning and accuracy
- Anti-Freeze function which starts the boiler at 5°C to prevent freezing of the boiler



### ROOM THERMOSTAT

- Compatible with all Ariston boilers
- Sets the desired temperature for the home
- Simple operation



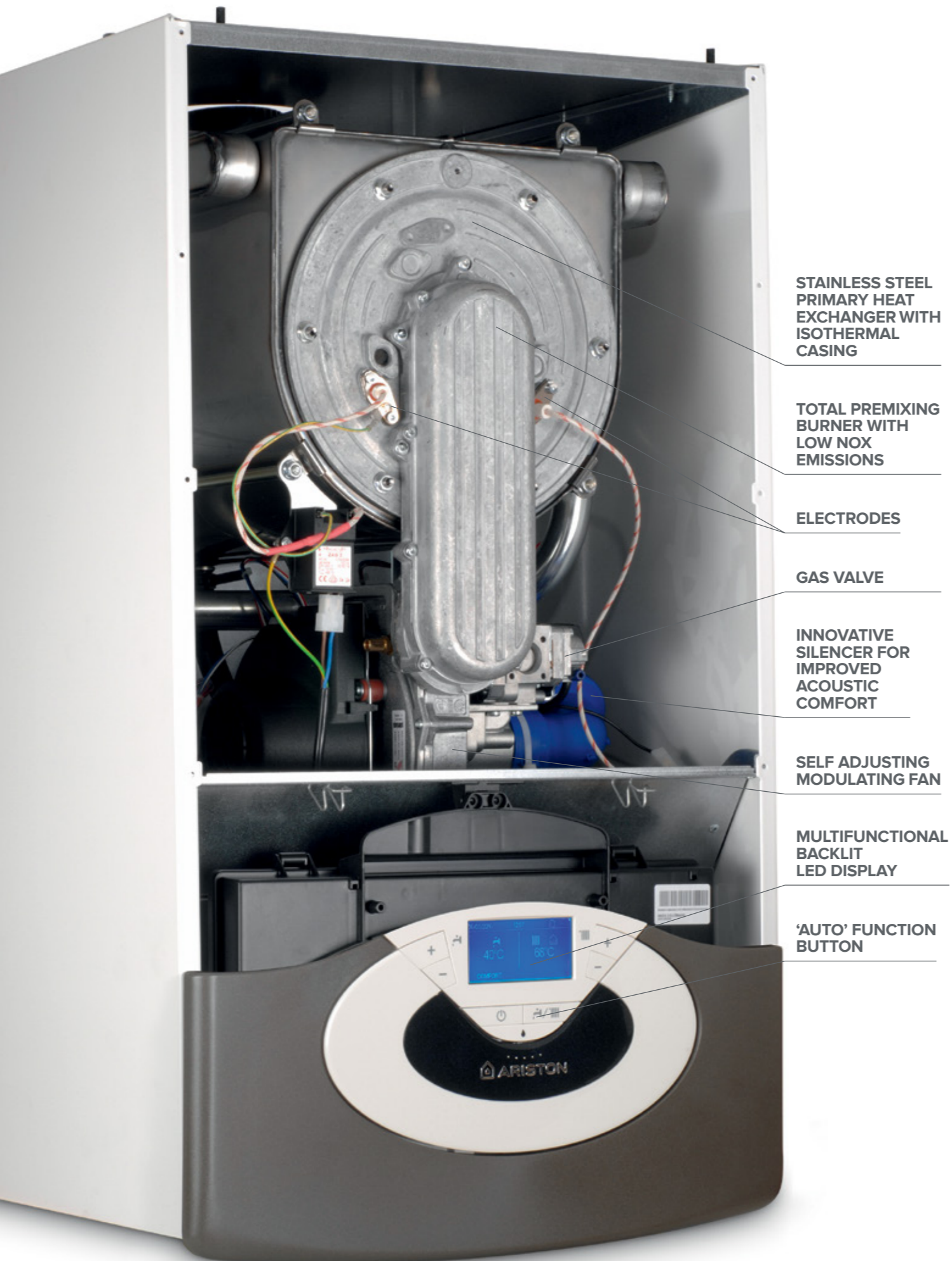
### OUTDOOR SENSOR

- Compensates for external temperature fluctuations
- Easy installation
- Compatible with all 'evo' boilers



### PROGRAMMABLE ROOM THERMOSTAT (RF)

- Compatible with all 'evo' boilers
- Night set back mode for setting a lower temperature at night from the daytime
- Receiver comes pre-paired with the control for ease and speed of installation



# COMMERCIAL BOILERS

Ariston boilers bring quality, innovation and reliability to commercial settings. Our boilers are compact and intuitive, making installation easy and hassle free.

With two-zone temperature management capability and modulating climatic thermoregulation, Ariston commercial boilers can cut energy costs and reduce carbon emissions.

## KEY FEATURES

Here's why our commercial boilers are market-leading:

- Compact dimensions
- Easy installation
- Energy efficient
- 'AUTO' function for optimum efficiency
- Two temperature zone management
- Quiet operation
- 2 year warranty



AUTO  
FUNCTION

ENERGY  
EFFICIENT

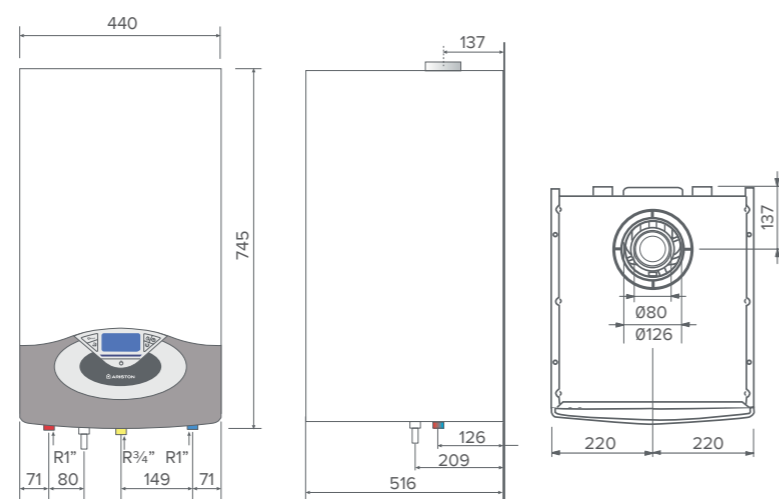
SUPER SILENT

COMPACT  
SIZE





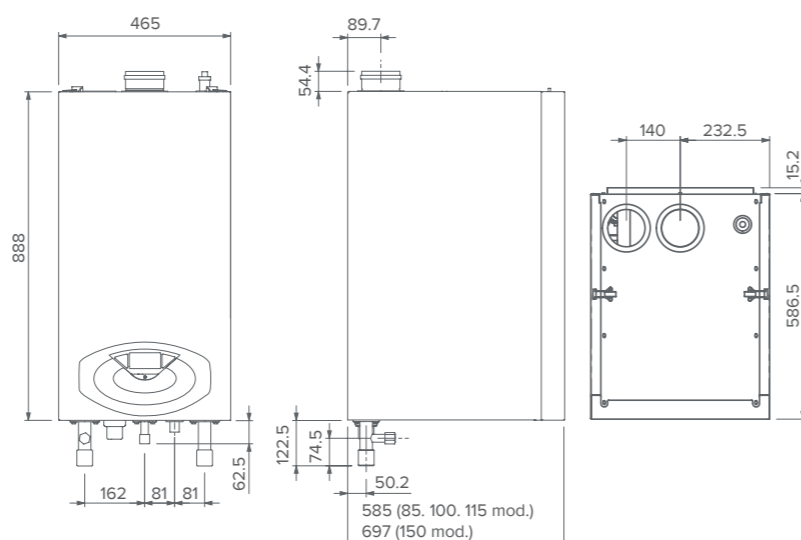
**DIMENSIONS**



**GENUS HP evo**  
45 65



**DIMENSIONS**



**GENUS HP evo**  
85 100 115 150

 **SEE PAGE 32-33 FOR FULL SPECIFICATION, TECHNICAL DATA AND COMPATIBLE CONTROLS.**



# GENUS HP evo

45 65 85 100 115 150

**LIGHTWEIGHT, COMPACT WITH A COMPREHENSIVE RANGE OF FLUES, FITTINGS AND ACCESSORIES. THE GENUS HP CAN BE SITED ALMOST ANYWHERE.**

The Genus HP evo combines Ariston style with the advanced reliability and performance you need for any commercial environment.

The built in 'AUTO' function with the Sensys system interface avoids temperature fluctuations enabling optimum efficiency.

## KEY FEATURES

- 2 year warranty
- Flexible and modular installation
- Large range of outputs
- Stainless steel heat exchanger
- Innovative 'AUTO' function technology
- Cascade manager to optimise power
- 'A' ErP rated for optimum energy efficiency
- Two temperature zone capability
- Auto-diagnostic system
- Anti-frost device
- Range of wired and wireless controls available

OUR REFERENCE	PRODUCT CODE	DESCRIPTION	CH Output (kW)
GENUS45	3581564	GENUS HP evo 45kW	39.8
GENUS65	3581565	GENUS HP evo 65kW	57.3
GENUS85	3581566	GENUS HP evo 85kW	78.0
GENUS100	3581567	GENUS HP evo 100kW	86.1
GENUS115	3581568	GENUS HP evo 115kW	106.3
GENUS150	3581569	GENUS HP evo 150kW	136.2

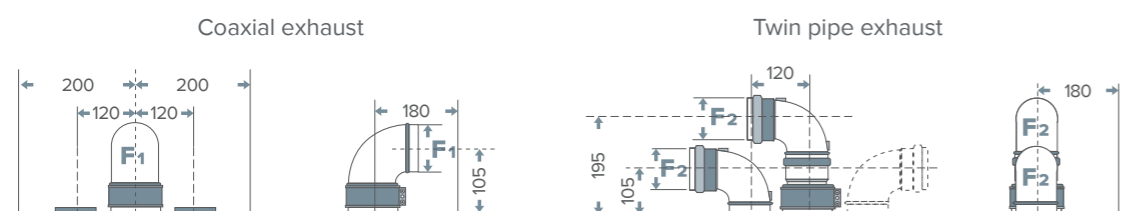
# FLUES AND ACCESSORIES

ARISTON HAVE AN EXTENSIVE ARRAY OF FLUES AND ACCESSORIES WHICH CAN BE APPLIED TO SUIT MOST FLUING INSTALLATION METHODS.

Ariston boilers are designed to be completely adaptable, whether you need to alter flue components or wish to add accessories for comprehensive temperature management or energy conservation.

## FLUE TURRETS

E-COMBI evo, E-SYSTEM evo, CLAS HE evo, CLAS HE SYSTEM evo & CLAS HE R



### MAX FLUE LENGTHS

OUR REFERENCE	18 FF	24 FF	30 FF	38 FF
Horizontal Coaxial 60/100 (m)	14	12	10	7
Horizontal Coaxial 80/125 (m)	42	36	30	20
Vertical Coaxial 60/100 (m)	14	12	10	7
Vertical Coaxial 80/125 (m)	42	36	30	20
Twin Pipe (equal lengths*)	36 + 36	24 + 24	26 + 26	16 + 16

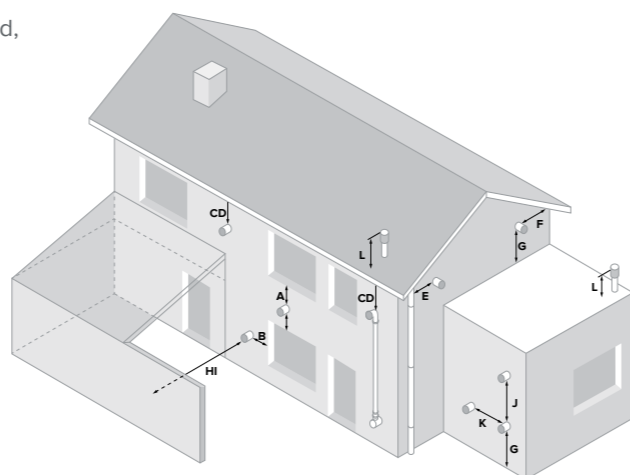
\* Other Twin Flue configurations are available, please contact Ariston for exact details.

## FLUE TERMINAL POSITIONS

The need for alteration to flue components is almost completely eliminated, making installation of the boiler quick and easy. It is possible to site flue terminals in a variety of positions in accordance with BS5440-1:2008.

### TERMINAL POSITION

	MM
A: Directly above/below an opening, air brick, opening windows, etc	300
B: Horizontally to an opening, air brick, opening windows, etc	300
C: Below gutters, soil pipes or drain pipes	75
D: Below eaves	200
E: From vertical drain or soil pipe	75
F: From an internal or external corner	300
G: Above ground roof or balcony level	300
H: From a surface facing the terminal	600
I: From a terminal facing the terminal	1200
J: Vertically from a terminal on the same wall	1500
K: Horizontally from a terminal in the same wall	300
L: Fixed by use of terminal and matched flashing plate	-

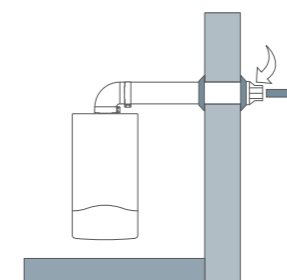


## FLUE CONFIGURATIONS

### TYPE 1

Coaxial Systems 60/100  
Horizontal installation with no plume kit.

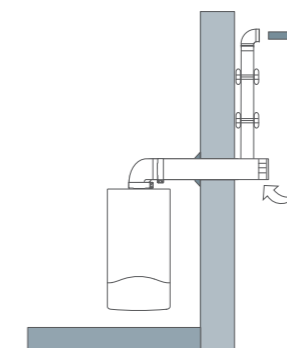
Product code:  
3318073  
Horizontal Coaxial Kit



### TYPE 2

Coaxial Systems 60/100  
Horizontal installation with coaxial piping and a plume kit.

Product code:  
3318329  
Plume Kit  
(inc. 1000mm Horizontal Terminal)



### TYPE 3

Coaxial Systems 60/100  
Vertical installation with coaxial piping on a pitched roof.

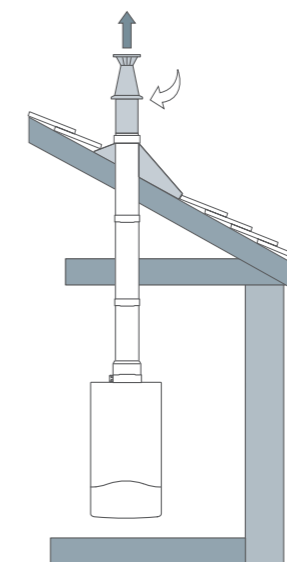
Product code:  
3318079  
Vertical Starter

3318080  
Vertical Flue

3318077  
Coaxial Extension - 1000mm

3318009  
Black Flexible Flashing Base Cap 12 – 40°

3318010  
Red Flexible Flashing Base Cap 12 – 40°



## FLUE ACCESSORIES

PRODUCT CODE

### COAXIAL SYSTEMS 60/100

Horizontal Coaxial Kit - 1000mm	3318073
Horizontal Coaxial Kit + Vertical Starter	3318074
90° Coaxial Elbow	3318075
45° Coaxial Elbow (Pack of 2)	3318076
Coaxial Extension – 2000mm	3318465
Coaxial Extension – 1000mm	3318077
Coaxial Extension – 500mm	3318078
Vertical Starter	3318079
Vertical Flue with Black Terminal	3318080
Vertical Flue with Red Terminal	3318081
Plume Kit (inc. 1000mm Horizontal Terminal)	3318329
Plume Extension (Ø60mm) – 1000mm	3318105
Plume 45° Elbow (Ø60mm) – Pack of 2	3318106

### COAXIAL SYSTEMS 80/125

Horizontal Coaxial Kit + Adaptor (Ø60/100 – Ø80/125mm)	3318090
90° Coaxial Elbow	3318091
45° Coaxial Elbow	3318092
Coaxial Extension (Ø80/125mm – 1000mm)	3318093
Coaxial Extension (Ø80/125mm – 500mm)	3318494
Adaptor/Vertical Starter (Ø60/100 – Ø80/125mm)	3318095

### TWIN PIPE SYSTEMS

Adaptor (Ø80/125 – Ø60/100)	3318200
Adaptor (Ø60/80) for Twin Pipe Systems	3318369
Horizontal Twin Pipe Flue Kit (80mm)	3318370
90° MF Elbow	3318084
45° MF Elbow (Pack of 2)	3318085
Extension (Ø80mm) – 1000mm	3318086
Extension (Ø80mm) – 500mm	3318087
Adaptor (Ø80/125 – Ø80mm) for Vertical Termination	3318088
Adaptor (Ø80/125 – Ø80/80mm) for Vertical Termination	3318089
Stainless Steel Exhaust Cap (Ø80mm)	3318027
Intake Vent Cap	3318028

### SUNDRY ITEMS

Black Lead Flashing Base Cap 12 – 40°	3318009
Red Lead Flashing Base Cap 12 – 40°	3318010
Black Vent Cap Base for Flat Roof	3318011
Red Vent Cap Base for Flat Roof	3318012
Wall Bracket Kit (80 – 125mm) (pack of 3)	3318015
Cover Plate (100mm)	3318016
Plume Deflector (45°)	3318080

# TECHNICAL DATA

## COMBI BOILERS

		E-COMBI evo 24	E-COMBI evo 30	E-COMBI evo 38	CLAS HE evo 24	CLAS HE evo 30	CLAS HE evo 38
<b>EFFICIENCY</b>							
SEDBUK Rating	Band	A	A	A	A	A	A
SAP efficiency 2005 (Seasonal)	%	90.0	90.1	90.1	90.0	90.1	90.1
SAP efficiency 2009/2012 (Annual)	%	88.7	88.7	88.7	88.7	88.7	88.7
<b>POWER &amp; PERFORMANCE</b>							
Heat input maximum	kW	28.9	33.3	42.2	27.8	33.3	42.2
Heat input minimum	kW	6.1	7.2	8.3	6.1	7.2	8.3
D.H.W. flow rate ΔT = 35°C	l/min	10.3	12.9	15.6	10.3	12.9	15.6
Heat output maximum (C.H.)	kW	21.5	27.3	30.2	21.5	27.3	30.2
Heat output maximum (D.H.W.)	kW	26.0	29.3	38.0	26.0	29.3	38.0
Heat output minimum	kW	5.4	6.3	7.3	5.4	6.3	7.3
Central heating temperature maximum	°C	82	82	82	82	82	82
Central heating temperature minimum	°C	35	35	35	35	35	35
D.H.W. temperature maximum	°C	60	60	60	60	60	60
D.H.W. temperature minimum	°C	36	36	36	36	36	36
<b>CHARACTERISTICS</b>							
Minimum ambient temperature	°C	5	5	5	5	5	5
D.H.W. minimum flow rate	l/min	2.0	2.0	2.0	2.0	2.0	2.0
Domestic hot water pressure maximum	bar	7	7	7	7	7	7
Domestic hot water pressure minimum	bar	0.3	0.3	0.3	0.3	0.3	0.3
Built-in expansion vessel capacity	l	8	8	8	8	8	8
Built-in expansion vessel pre-charged pressure	bar	1	1	1	1	1	1
Maximum water content of system	l	100	100	100	100	100	100
Maximum heating pressure	bar	3	3	3	3	3	3
Servicing clearances - top/front/bottom	mm	300/450/300	300/450/300	300/450/300	300/450/300	300/450/300	300/450/300
Servicing clearances - left/right	mm	5/5	5/5	5/5	5/5	5/5	5/5
Weight	kg	32	35	36	32	35	36
NOx	mh/kWh	28	39	32	28	39	32
<b>ELECTRICAL DATA</b>							
Electrical supply	V/Hz	230/50	230/50	230/50	230/50	230/50	230/50
Power consumption	W	110	113	116	110	113	116
Protection grade of electrical system	IP	X5D	X5D	X5D	X5D	X5D	X5D
Internal fuse rating		2A Fast Fuse	2A Fast Fuse	2A Fast Fuse	2A Fast Fuse	2A Fast Fuse	2A Fast Fuse
ErP Class (Heating/Hot Water)		A/A	A/A	A/A	A/A	A/A	A/A
Sound levels		52dB	53dB	53dB	52dB	53dB	53dB
Tapping profile		XL	XL	XL	XL	XL	XL
<b>PRODUCT CODE</b>		<b>3300753</b>	<b>3300755</b>	<b>3300756</b>	<b>3300745</b>	<b>3300746</b>	<b>3300747</b>
<b>PRODUCT CODE (8 year warranty)</b>		-	-	-	<b>3826537</b>	<b>3826538</b>	<b>3826539</b>
<b>PRODUCT CODE (12 year warranty)</b>		-	-	-	<b>3826540</b>	<b>3826541</b>	<b>3826542</b>

## SYSTEM & REGULAR BOILERS

		E-SYSTEM evo 24	E-SYSTEM evo 30	CLAS HE SYSTEM evo 18	CLAS HE SYSTEM evo 24	CLAS HE SYSTEM evo 30	CLAS HE R 24
<b>EFFICIENCY</b>							
SEDBUK Rating	Band	A	A	A	A	A	A
SAP efficiency 2005 (Seasonal)	%	90.1	90.2	90.2	90.1	90.2	90.4
SAP efficiency 2009/2012 (Annual)	%	88.8	88.8	88.8	88.8	88.8	89
<b>POWER &amp; PERFORMANCE</b>							
Heat input maximum	kW	22	28.5	18	22	28	22
Heat input minimum	kW	5.5	6.5	4.5	5.5	6.5	5.5
Heat output maximum	kW	21.6	27.4	17.6	21.6	27.4	21.6
Heat output minimum	kW	5.2	6.2	4.2	5.2	6.2	5.2
Central heating temperature maximum	°C	82	82	82	82	82	82
Central heating temperature minimum	°C	35	35	35	35	35	35
<b>CHARACTERISTICS</b>							
Minimum ambient temperature	°C	5	5	5	5	5	5
Built-in expansion vessel capacity	l	6.5	6.5	6.5	6.5	6.5	N/A
Built-in expansion vessel pre-charged pressure	bar	1	1	1	1	1	N/A
Maximum water content of system	l	100	100	100	100	100	N/A
Maximum water content of system							
Maximum heating pressure	bar	3	3	3	3	3	N/A
Servicing clearances - top/front/bottom	mm	300/450/300	300/450/300	300/450/300	300/450/300	300/450/300	250/450/300
Servicing clearances - left/right	mm	5/5	5/5	5/5	5/5	5/5	5/5
Weight	kg	32	35	32	32	35	28
NOx	mh/kWh	28	39	25	28	39	28
<b>ELECTRICAL DATA</b>							
Electrical supply	V/Hz	230/50	230/50	230/50	230/50	230/50	230/50
Power consumption	W	113	116	106	113	116	114
Protection grade of electrical system	IP	X5D	X5D	X5D	X5D	X5D	X5D
Internal fuse rating		2A Fast Fuse	2A Fast Fuse	2A Fast Fuse	2A Fast Fuse	2A Fast Fuse	2A Fast Fuse
ErP Class (Heating)		A	A	A	A	A	A
Sound levels		52dB	53dB	52dB	52dB	53dB	
<b>PRODUCT CODE</b>		<b>3300757</b>	<b>3300758</b>	<b>3300749</b>	<b>3300750</b>	<b>3300751</b>	<b>3300748</b>
<b>PRODUCT CODE (8 year warranty)</b>		-	-	<b>3826543</b>	<b>3826544</b>	<b>3826545</b>	-
<b>PRODUCT CODE (12 year warranty)</b>		-	-	<b>3826546</b>	<b>3826547</b>	<b>3826548</b>	-

## ACCESSORIES

	evo BOILER PRODUCT CODE	CLAS HE R PRODUCT CODE
<b>WIRED ACCESSORIES</b>		
On/Off room thermostat	3318594	3318594
Modulating room sensor	3318586	-
Outdoor Sensor	3318588	3318232
Sensys system interface	3318585	-
Multi-zone interface	3318636	-
<b>WIRELESS ACCESSORIES</b>		
On/Off programmable room thermostat	3318632	-
Twin channel digital programmer	-	3318413
<b>INSTALLATION ACCESSORIES</b>		
Rear piping chassis	3678411	-
Metal template	3318246	-





## COUNT ON US... FOR HOT WATER



Ariston is the world's leading manufacturer of water heating. With a range offering 5 litre electric water heaters to solar powered 300 litre unvented cylinders, we supply the most advanced products on the market, whatever your requirements.

We are the UK market leaders in enameled unvented cylinders. With a 25 year warranty, the Classico range provides optimum reliability thanks to magnesium anode protection.

Developing the technology of our market leading Europrisma range, our sophisticated new design encases an evolution in water heating. Say goodbye to the Europrisma – and hello to the **Andris Lux**.



Visit [www.ariston.com/uk/Electric\\_Water\\_Heaters](http://www.ariston.com/uk/Electric_Water_Heaters) for more information on our hot water range.

## COUNT ON US... FOR RENEWABLES



Ariston solar panels, pump stations, controllers and cylinders offer a complete solar thermal energy package from a single source.

Our Nuos heat pump water heaters are an eco-friendly alternative to electric hot water heaters, providing an innovative solution for properties off the gas grid.

With flat and on-tile solar panels, we've made it easier to make any property more eco-friendly. As the heat pump on the Nuos is combined with the cylinder, installers only need G3 rather than F-Gas qualifications.

In addition, you can count on us for continuous practical training, technical support and genuine parts whenever you need.



Visit [www.ariston.com/uk/Solar\\_Thermal](http://www.ariston.com/uk/Solar_Thermal) for more information on our renewables range.



# ARISTON ACADEMY

## Training that gives you more.

HANDS-ON, PRACTICAL AND REWARDING, OUR ARISTON ACADEMY PROVIDES YOU WITH THE KNOWLEDGE AND SUPPORT ON THE LATEST TECHNOLOGIES.

Providing comprehensive training for installers and merchants, our nationwide academies offer valuable hands on experience with live gas and water connections.

Providing you with all the skills you need for fast, trouble-free installation and servicing, trainees will also receive a fully comprehensive training pack with all the information needed to sell and install our products. In addition to benefiting from giveaways as well as an 'accredited installer' vinyl and certificate, trainees will also receive £300\* boiler cash back upon completion of the course.

Our courses are delivered in a relaxed and friendly atmosphere by expert trainers with the knowledge and experience to help you succeed.

### TRAINING COURSES COVER

- Our technology and how it works
- Installation of Ariston products
- Mechanical operation
- Intuitive controls and how they simplify installation commissioning and servicing
- Electrical circuits and components
- Hydraulic circuits and components
- Practical 'hands-on' experience
- Use of fault codes and diagnostic techniques

### ARISTON ACADEMIES:

- |               |                 |
|---------------|-----------------|
| • Barnsley    | • Glasgow       |
| • Basildon    | • Leicester     |
| • Basingstoke | • Manchester    |
| • Birmingham  | • Milton Keynes |
| • Cardiff     | • Newcastle     |
| • Colchester  | • Plymouth      |
| • Edinburgh   | • Portsmouth    |

**COUNT ON US...** for quality training and expert support.

### BECOME AN ARISTON TRAINED PROFESSIONAL WITH OUR EXPERT TRAINING COURSES PROVIDED FOR HEATING PROFESSIONALS, NATIONWIDE.

Knowledge is valuable. Receive £300\* boiler cash back when you train with Ariston.



\*Terms & Conditions apply.

### BOOKING YOUR COURSE ONLINE IS QUICK AND EASY.

Become one of our Ariston accredited installers in just three easy steps.

- Locate your nearest academy
- Select your course
- Book your place

#### RECEIVE THE TOOLS TO SUCCEED.

Head to [www.aristonacademy.co.uk](http://www.aristonacademy.co.uk) to book your course today.

#### WANT TO SPEAK TO A TEAM MEMBER?

You can book your course by calling 01494 418 585.

#### CAN'T CALL? NO PROBLEM.

E-mail [booking@aristonacademy.co.uk](mailto:booking@aristonacademy.co.uk)



**Want to know more? Call 01494 418 585**  
**KNOWLEDGE | SKILLS | EXCELLENCE**  
[aristonacademy.co.uk](http://aristonacademy.co.uk)





# CUSTOMER CARE & QUALITY

OUR WORLD-CLASS MANUFACTURING CAPACITY, TOGETHER WITH OUR SPECIALIST ARISTON SERVICE TEAM, OFFERS OUR CUSTOMERS AN OPTIMAL COMBINATION OF COMFORT, ENERGY EFFICIENCY AND RESPECT FOR THE ENVIRONMENT.

## RESEARCH & DEVELOPMENT

Ariston employs over 260 people in 17 centres across the globe for product research and development. We have made environmentally friendly energy efficiency integral to our operations. By 2020, Ariston aims to carry out 80% of its business with high-efficiency or renewable energy solutions. Our ability to combine energy efficiency, innovation and design, is contributing to shape the future of thermic comfort.



**DESIGNED IN ITALY,  
READY FOR THE WORLD**

## STRIVING FOR EXCELLENCE

Our goal is to ensure our customers' satisfaction, understanding their needs and continually exceeding their expectations. Our focus on quality does not stop at the design and manufacturing of our products, it extends equally to the development of internal talent, the training of professionals and the relentless improvement of our business processes.

Ariston implements the World Class Manufacturing (WCM) method in its plants to constantly improve manufacturing performance as well as ensuring product quality and maximum flexibility in meeting customers' demands.

## 24/7 CUSTOMER SERVICE

Our specialist support and service provides a team of highly skilled experts on hand to offer advice and assistance, wherever you are, whenever you need it.

Specialists in our product areas, there will always be a point of contact available to deal with anything from arranging a service, warranty issues or scheduling a visit from an engineer.

With the knowledge an Ariston expert can answer your call within 20 seconds, you can rest assured that you can count on us 24 hours a day, 7 days a week.

### CUSTOMER SERVICE

T: 0333 240 8777

E: [customer.service.uk@aristonthermo.com](mailto:customer.service.uk@aristonthermo.com)

## CONTACT DETAILS

### SALES TEAM

T: 0333 240 6666

E: [salesoffice@aristonthermo.com](mailto:salesoffice@aristonthermo.com)

### SPARES TEAM

T: 0333 240 6777

E: [spares.identification.uk@aristonthermo.com](mailto:spares.identification.uk@aristonthermo.com)

### TECHNICAL SUPPORT

T: 0333 240 7777

E: [techhelpdesk.uk@aristonthermo.com](mailto:techhelpdesk.uk@aristonthermo.com)

### TRAINING TEAM

T: 01494 418 585

E: [training.uk@aristonthermo.com](mailto:training.uk@aristonthermo.com)





DESIGN ITALIANO

### Ariston Thermo UK Ltd

Artisan Building, Hillbottom Road, High Wycombe, HP12 4HJ

**Technical Support:** [techhelpdesk@aristonthermo.com](mailto:techhelpdesk@aristonthermo.com)

**Sales:** [salesoffice@aristonthermo.com](mailto:salesoffice@aristonthermo.com)

**Customer Service:** [customer.service.uk@aristonthermo.com](mailto:customer.service.uk@aristonthermo.com)

**Sales:** 0333 240 6666  
**Service:** 0333 240 8777

**Technical support:** 0333 240 7777  
**Fax:** 01494 459 775

**[ariston.co.uk](http://ariston.co.uk)**



@AristonUK



/AristonUK



/AristonThermo

