

Inlet valve

Guarantee
10
years

WIRQUIN
INNOVATION

WRAS
APPROVED PRODUCT

JOLLYFILL

SIDE ENTRY INLET VALVE



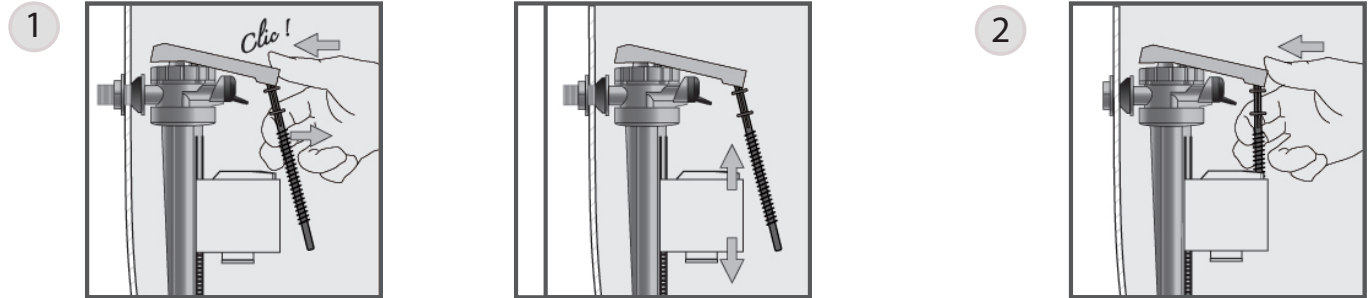
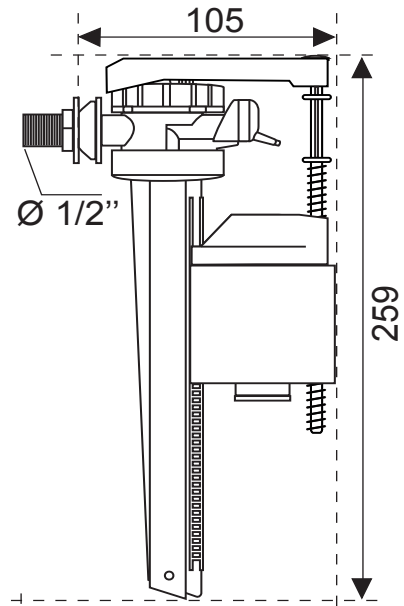
- > Water saving delayed action
- > 180° rotating head
- > Working pressure 0.1 to 16 bar
- > Quick and easy to install and maintain
- > Fast filling and ultra quiet shut off (only 17db)

Macdee
wirquin

SANITARY EQUIPMENT SPECIALIST

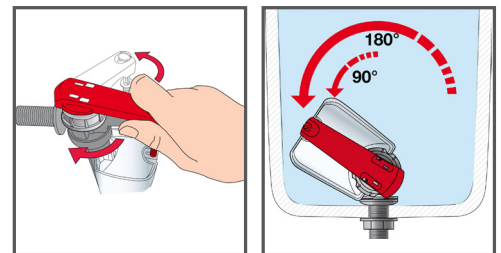
TECHNICAL CHARACTERISTICS

WORKING PRESSURE	0.1 to 16 bar resistant to peaks of pressure of up to 20 bar
WATER SUPPLY CONNECTION	1/2" brass or plastic
TECHNOLOGY	Part 4 inlet valve
WATER SAVING	Delayed action
WATER LEVEL ADJUSTMENT RANGE	45 - 135 mm = 90 mm
OVERALL DIMENSIONS	105 x 67.5 x 259 mm
INNOVATION	Rotating head allows 90° movement left or right
SERVICING	Maintenance possible while insitu
PREVENTS BACK SIPHONING	Yes
PREVENTS WATER HAMMER	Yes
CONTAINS RESTRICTOR	Yes
GUARANTEE	10-years



- 1 Set the float/cup to the water line inside cistern.
- 2 Clip rod into float and cup.

The 90° rotating head may be located in even the smallest of corners and avoids any contact between the inlet valve and the flushing valve. This is particularly useful in ceramic tanks, especially narrow ones. The inlet valve is easy to maintain and can be completed whilst still inside the cistern.



DESCRIPTION	JOLLYFILL SIDE ENTRY BRASS		JOLLYFILL SIDE ENTRY PLASTIC	
	REFERENCE			
REFERENCE	16300201	10120034	16300101	10120033
CODE EAN	3375537150410	5017134129533	3375537150151	5017134129526
PACKAGING	BAG	BOX	BAG	BOX
MULTIPLE / BOX	01/36	01/24	01/36	01/24