

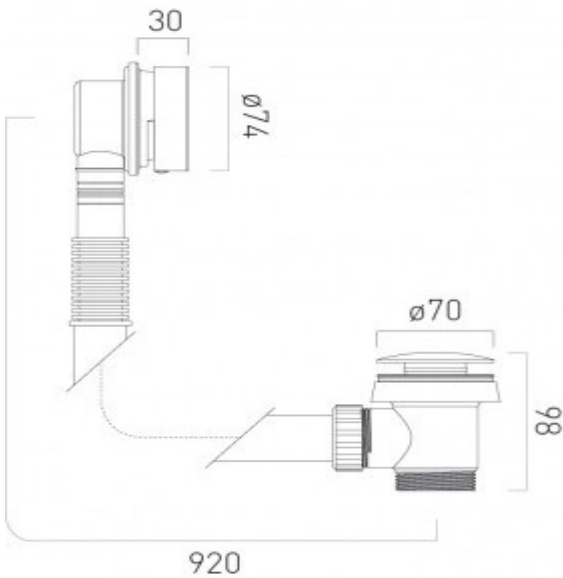


where inspiration flows
taps | showering | accessories

technical sheet
product code: WG-71389-C/P



technical drawing:



description: push type bath waste and overflow
1.1/2" x 10mm threaded outlet connection
min-max overflow bath thickness 1mm-14mm

finishes: chrome

guarantee: 12 year guarantee