

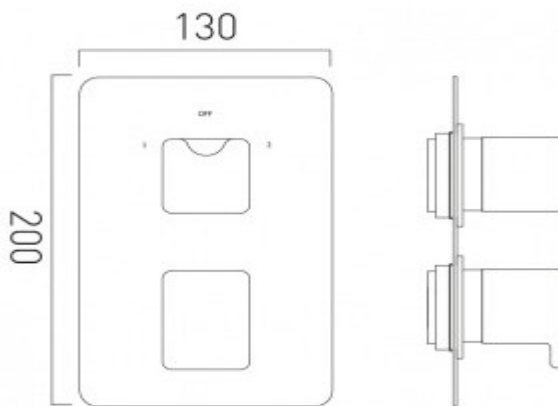


where inspiration flows
taps | showering | accessories

technical sheet
product code: PHA-148D/2-TRIM-C/P



technical drawing:



description: DX Phase trim kit for PHA-148D/2-C/P comprises:
2 x handles
rectangular backplate
securing rings
thermostatic temperature stop
flow and temperature shrouds
min-max wall mount 70-95mm
optimum installation depth 82mm

finishes: chrome

guarantee: 12 year guarantee

flow rate at 3.0 bar flow pressure: 30 l/min