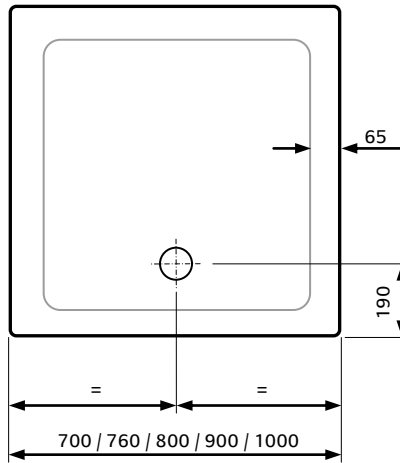


# Lakes Contemporary Lightweight Trays.

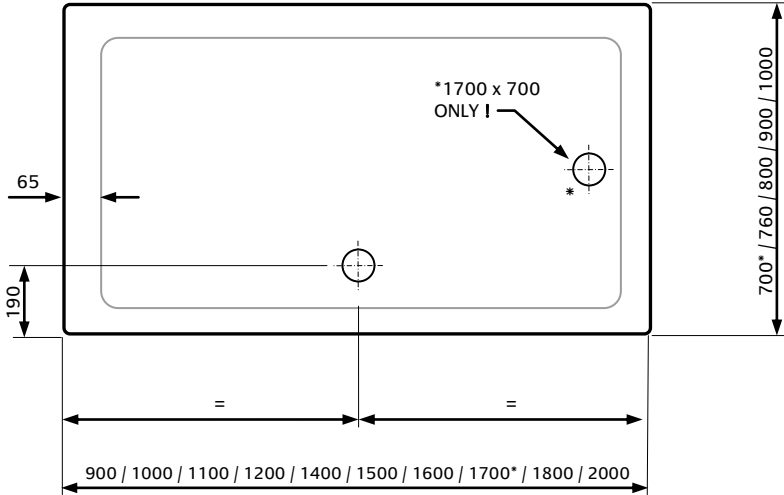
Low Profile (45mm) ABS capped reinforced resin (incl. high flow waste trap).

Contemporary lightweight trays are manufactured with a standard tolerance (+3 to +9mm) to ensure they always slightly exceed nominal sizes, eg. 700mm will measure 703 to 709mm at the top surface, 707 to 713mm at base.

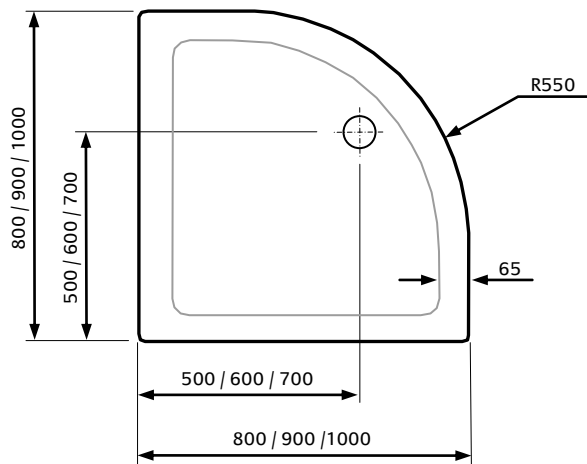
## Square



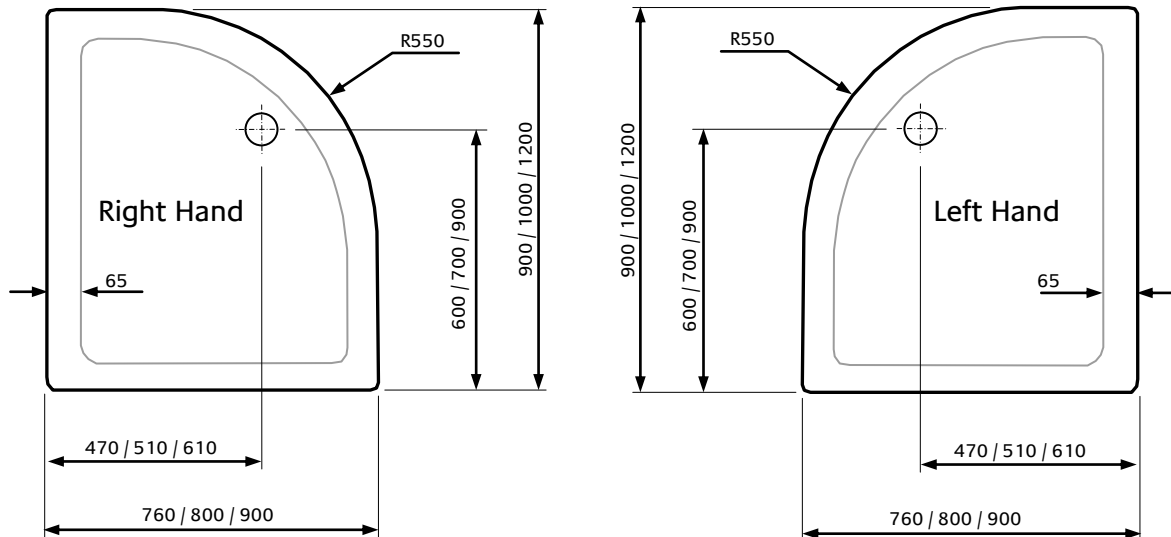
## Rectangular



## Quadrant

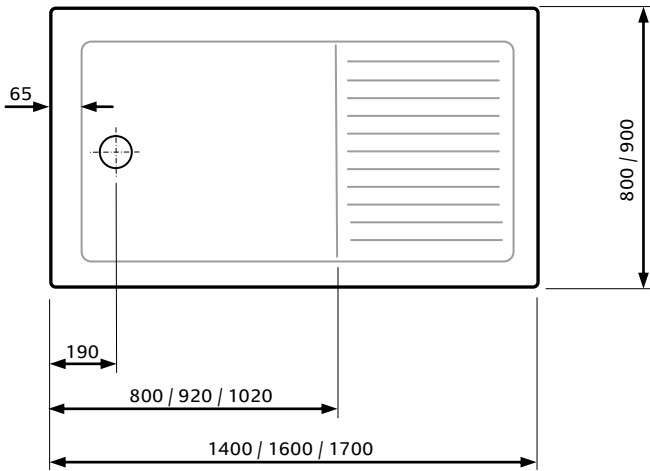


## Offset Quadrant

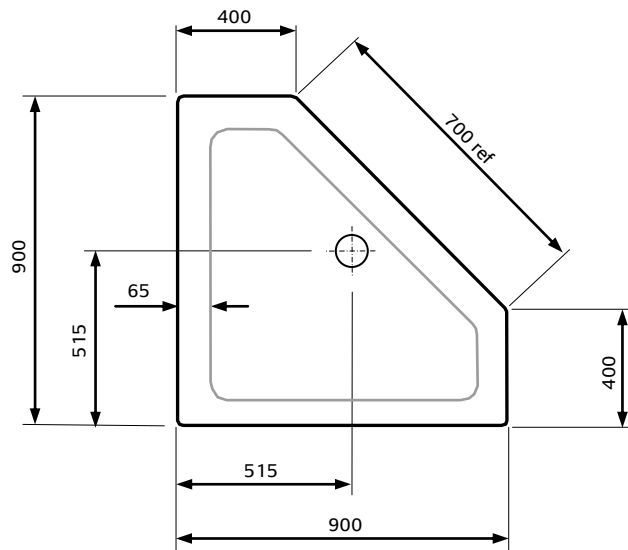


# Lakes Contemporary Lightweight Trays. Continued

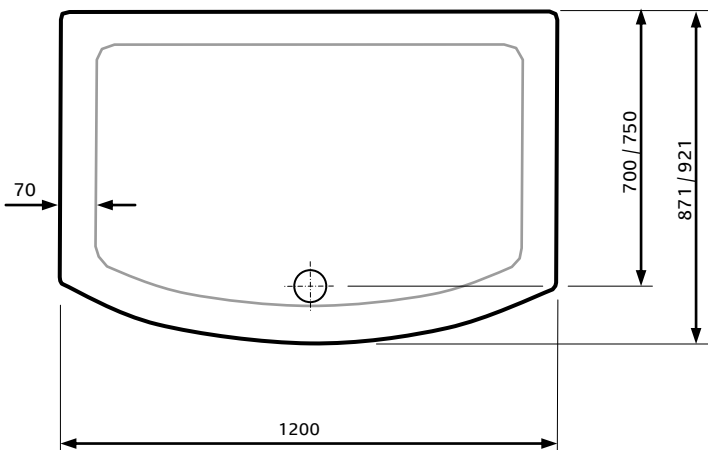
Rectangular Walk In (Square Drying Area)



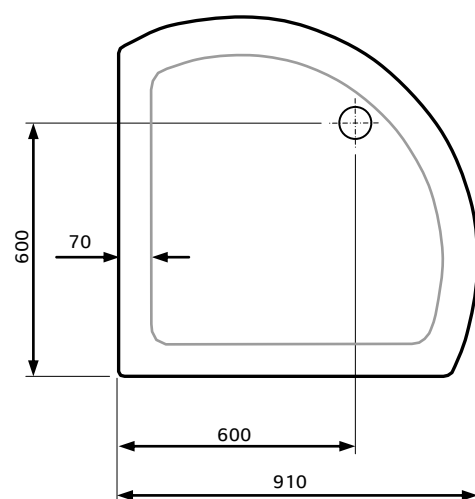
Pentagon



Bowfront Slider



Curved Corner Slider



## Lakes Contemporary Lightweight Tray Data

Tray Type	Product Code	Size (mm)	Material / Remarks	Legs & Panel Kit	Weight (kg)
SQUARE	TS77-ENB	700 x 700	ABS capped reinforced polyurethane resin. Supplied with 1x T-WASTE (90mm high flow)	T-EP-KIT-ENH	15
	TS7676-ENC	760 x 760			15
	TS88-END	800 x 800			15
	TS99-ENE	900 x 900			17
	TS11-ENF	1000 x 1000			17
RECTANGULAR	TR9076-ELN	900 x 760	ABS capped reinforced polyurethane resin. Supplied with 1x T-WASTE (90mm high flow)	T-EP-KIT-ENH	16
	TR9080-ELO	900 x 800			16
	TR7010-ELP	1000 x 700			17
	TR7610-ELQ	1000 x 760			17
	TR8010-ELR	1000 x 800			17
	TR9010-ELS	1000 x 900			17
	TR7011-ELT	1100 x 700		T-EP-KIT-ENH & recommend T-EP-KIT-ENK	17
	TR7611-ELU	1100 x 760			17
	TR8011-ELV	1100 x 800			17
	TR9011-ELW	1100 x 900		19	
	TR7012-ELX	1200 x 700		T-EP-KIT-ENI & recommend T-EP-KIT-ENK	19
	TR7612-ELY	1200 x 760			19
	TR8012-ELZ	1200 x 800			19
	TR9012-EMA	1200 x 900			19
	TR1012-EMB	1200 x 1000			19
	TR8014-EMC	1400 x 800			24
	TR9014-EMD	1400 x 900		24	
	TR7015-EME	1500 x 700		24	
	TR7615-EMF	1500 x 760		24	
	TR8015-EMG	1500 x 800		25	
	TR9015-EMH	1500 x 900		24	
	TR7016-EMI	1600 x 700		26	
	TR8016-EMJ	1600 x 800		26	
	TR9016-EMK	1600 x 900		26	
	TR7017-EML *	1700 x 700 *		WASTE : Centre of 700 side !	26
	TR7617-EMM	1700 x 760			26
	TR8017-EMN	1700 x 800		26	
	TR9017-EMO	1700 x 900		26	
	TR1017-EMP	1700 x 1000		26	
	TR8018-EMQ	1800 x 800		28	
	TR9018-EMR	1800 x 900		28	
	TR1018-EMS	1800 x 1000		28	
	TR8020-EMT	2000 x 800		30	
TR9020-EMU	2000 x 900	30			
TR1020-EMV	2000 x 1000	30			

## Lakes Contemporary Lightweight Tray Data

Tray Type	Product Code	Size (mm)	Material / Remarks	Legs & Panel Kit	Weight (kg)
QUADRANT	TQ88-ELA	800 x 800	ABS capped reinforced polyurethane resin. Supplied with 1x T-WASTE (90mm high flow)	T-EP-KIT-ENJ	13
	TQ99-ELB	900 x 900			16
	TQ11-ELC	1000 x 1000			19
OFFSET QUADRANT	TQ9076L-ELD	900 x 760	ABS capped reinforced polyurethane resin. Supplied with 1x T-WASTE (90mm high flow)	T-EP-KIT-ENJ	15
	TQ9076R-ELE				
	TQ9080L-ELF	900 x 800			15
	TQ9080R-ELG				
	TQ8010L-ELH	1000 x 800			16
	TQ8010R-ELI				
	TQ8012L-ELJ	1200 x 800		T-EP-KIT-ENJ & recommend T-EP-KIT-ENK	21
	TQ8012R-ELK				
	TQ9012L-ELL	1200 x 900		21	
	TQ9012R-ELM				
RECTANGULAR Walk In (Square form)	TW9014-EMW	1400 x 900	ABS capped reinforced polyurethane resin. Supplied with 1x T-WASTE (90mm high flow)	T-EP-KIT-ENI & recommend T-EP-KIT-ENK	24
	TW8016-EMX	1600 x 800			26
	TW8017-EMY	1700 x 800			26
PENTAGON	TP99-ENG	900 x 900	ABS capped reinforced polyurethane resin. Supplied with 1x T-WASTE (90mm high flow)	T-EP-KIT-ENH	14

**MAXIMUM WEIGHT LIMIT FOR TRAYS:-** 225kg (35 Stone) straight to floor. / 160kg (25 Stone) raised on legs.

All trays CE compliant with EN14527:2016. Declaration of Performance DP-11 (Available on request)

## Easy Plumb Kits for Reinforced Resin Trays (nominally 100mm tall)

Comprising ALL legs, panels & fixings.

Order Code	Description	Comments
T-EP-KIT-ENH	Square, Pentagon & Rectangular up to & incl. 1200mm	
T-EP-KIT-ENI	Rectangular >1200mm to 2000mm	+ T-EP-KIT-ENK Baseboard kit
T-EP-KIT-ENJ	All Quadrants (including offsets)	
T-EP-KIT-ENK *	Baseboard kit (for all trays >1200mm)	* see note

\* **Baseboard kit** : use whenever tray measure exceeds 1200mm. Alternatively construct a fully supporting 100mm (4") tall (minimum) timber & water resistant 19mm plywood (3/4") topped platform to match tray shape on which to adhere tray directly.

Optional extras.

Order Code	Description
T-FLEXI-PIPE	Flexible waste outlet pipe (only for use with T-WASTE)
T-SEALING-STRIP	Flexible sealing strip (tiling upstand) - 2.8m length

## Bespoke (40mm) Reinforced Resin Trays

Tray Type	Product Code	Size (mm)	Material / Remarks	Legs & Panel Kit	Weight (kg)
BOWFRONT SLIDER	LKTBF700	1200 x 871	ABS capped reinforced polyurethane resin. Supplied with 1x T-WASTE (90mm high flow)	LKT EP KIT 6	10.5
	LKTBF750	1200 x 921			11.5
CURVED CORNER SLIDER	LKTSDQ900	910 x 910	ABS capped reinforced polyurethane resin. Supplied with 1x T-WASTE (90mm high flow)	LKT EP KIT 5	8

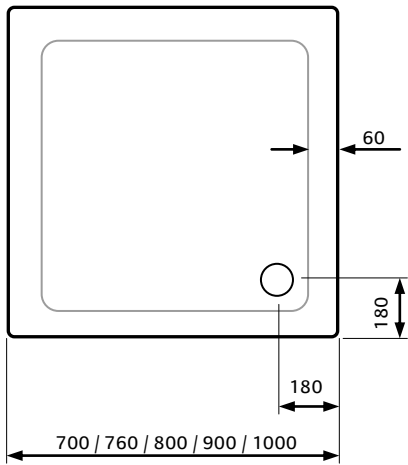
**MAXIMUM WEIGHT LIMIT FOR TRAYS:-** 225kg (35 Stone) straight to floor. / 160kg (25 Stone) raised on legs.

All trays CE compliant with EN14527:2016. Declaration of Performance DP-09 (Available on request)

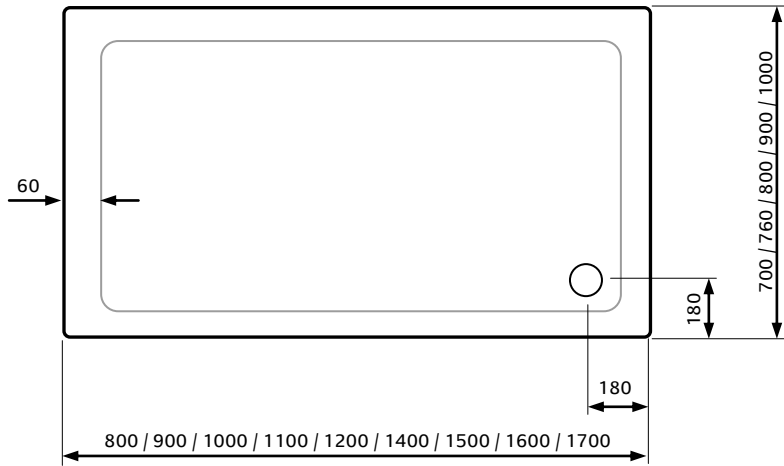
# Lakes Traditional Stone Resin Trays.

Standard Height (80mm) ABS capped stone resin (incl. waste trap)

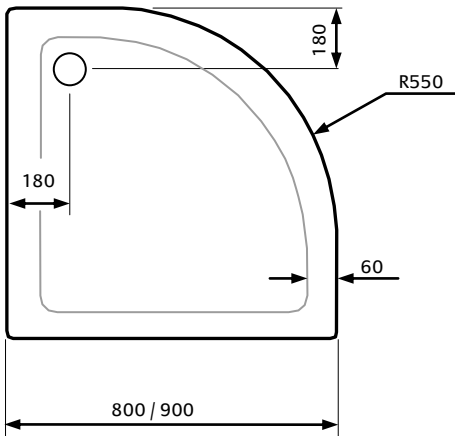
## Square



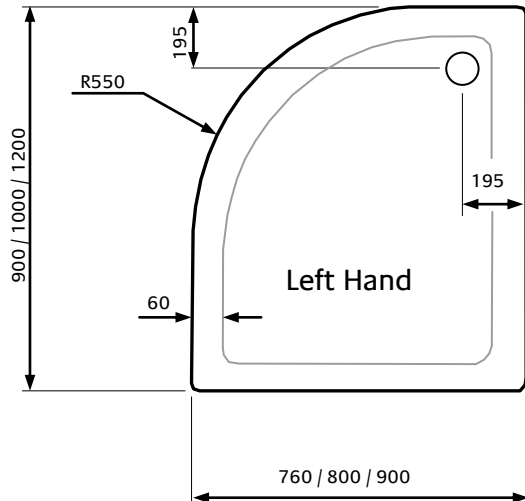
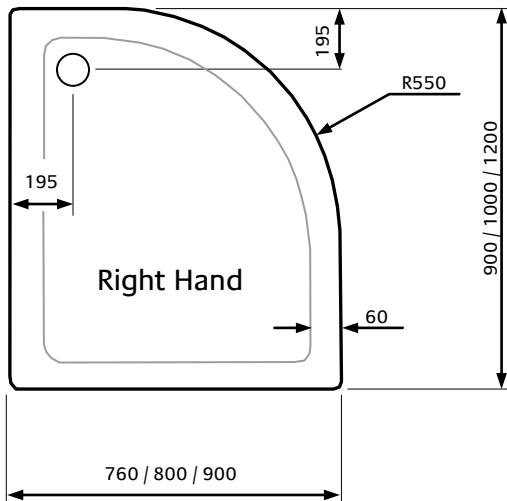
## Rectangular



## Quadrant



## Offset Quadrant



## Lakes Traditional Stone Resin Tray Data—Standard Height (80mm)

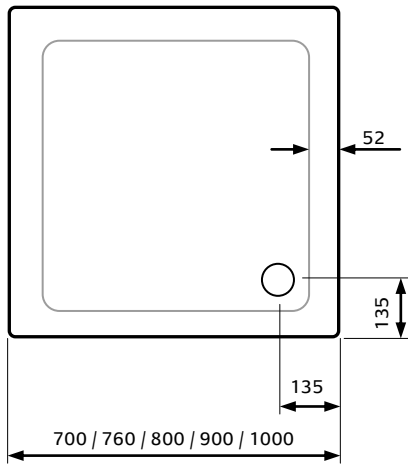
Tray Type	Product Code	Size (mm)	Material / Remarks	Legs & Panel Kit	Weight (kg)
SQUARE	ZZTS77	700 x 700	ABS capped stone resin. Supplied with 1x ZZT WASTE (50mm)	AZT EP KIT SR12	32.5
	ZZTS7676	760 x 760			30.5
	ZZTS88	800 x 800			32.5
	ZZTS99	900 x 900			41.5
	ZZTS11	1000 x 1000		AZT EP KIT SR17	47.5
RECTANGULAR	ZZTR7080	800 x 700	ABS capped stone resin. Supplied with 1x ZZT WASTE (50mm)	AZT EP KIT SR12	31.5
	ZZTR7090	900 x 700			31.5
	ZZTR9076	900 x 760			35.5
	ZZTR9080	900 x 800			39.5
	ZZTR7010	1000 x 700			39.5
	ZZTR7610	1000 x 760			39.5
	ZZTR8010	1000 x 800			41.5
	ZZTR9010	1000 x 900			47.5
	ZZTR7011	1100 x 700			39.5
	ZZTR7611	1100 x 760			41.5
	ZZTR8011	1100 x 800			51.5
	ZZTR7012	1200 x 700			46.5
	ZZTR7612	1200 x 760			47.5
	ZZTR8012	1200 x 800			49.5
	ZZTR9012	1200 x 900			55.5
	ZZTR1012	1200 x 1000		AZT EP KIT SR17	65.5
	ZZTR8014	1400 x 800		57.5	
	ZZTR9014	1400 x 900		69.5	
	ZZTR7615	1500 x 760		57.5	
	ZZTR8016	1600 x 800		69.5	
ZZTR7017	1700 x 700	61.5			
QUADRANT	ZZTQ88	800 x 800	ABS capped stone resin. Supplied with 1x ZZT WASTE (50mm)	AZT EP KIT Q10	30.5
	ZZTQ99	900 x 900			39.5
OFFSET QUADRANT	ZZTQ9076L	900 x 760	ABS capped stone resin. Supplied with 1x ZZT WASTE (50mm)	AZT EP KIT Q12	32.5
	ZZTQ9076R				
	ZZTQ9080L	900 x 800			33.5
	ZZTQ9080R				
	ZZTQ8010L	1000 x 800			37.5
	ZZTQ8010R				
	ZZTQ8012L	1200 x 800			46.5
	ZZTQ8012R				
	ZZTQ9012L	1200 x 900			55.5
ZZTQ9012R					

**MAXIMUM WEIGHT LIMIT FOR TRAYS:-** 225kg (35 Stone) straight to floor. / 160kg (25 Stone) raised on legs.  
All trays CE compliant with EN14527:2016. Declaration of Performance DP-10 (Available on request)

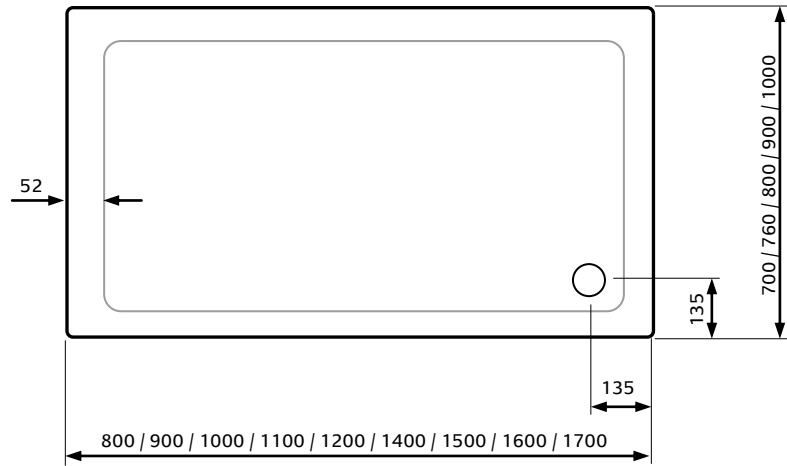
# Lakes Traditional Stone Resin Trays.

Low Profile (45mm) ABS capped stone resin (incl. high flow waste trap).

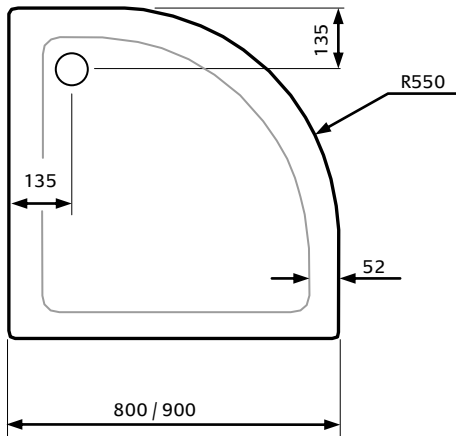
## Square



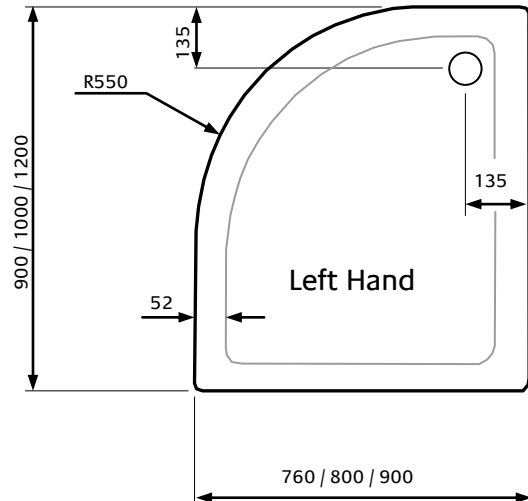
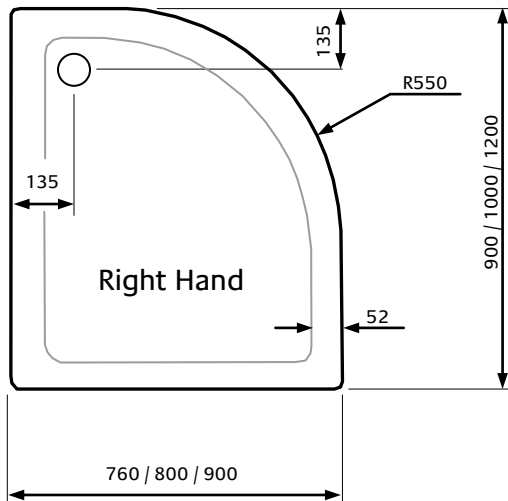
## Rectangular



## Quadrant



## Offset Quadrant



## Lakes Traditional Stone Resin Tray Data—Low Profile (45mm)

Tray Type	Product Code	Size (mm)	Material / Remarks	Legs & Panel Kit	Weight (kg)	
SQUARE	AATS7676	760 x 760	ABS capped stone resin. Supplied with 1x T-WASTE (90mm high flow)	AZT EP KIT SR12	25	
	AATS88	800 x 800			25	
	AATS99	900 x 900			35	
	AATS11	1000 x 1000		AZT EP KIT SR17	37	
RECTANGULAR	AATR8070	800 x 700	ABS capped stone resin. Supplied with 1x T-WASTE (90mm high flow)	AZT EP KIT SR12	25	
	AATR9070	900 x 700			35	
	AATR9076	900 x 760			32	
	AATR9080	900 x 800			32	
	AATR7010	1000 x 700			36	
	AATR7610	1000 x 760			36	
	AATR8010	1000 x 800			37	
	AATR9010	1000 x 900			37	
	AATR7612	1200 x 760			40	
	AATR8012	1200 x 800			37	
	AATR9012	1200 x 900			45	
	AATR9014	1400 x 900			AZT EP KIT SR17	51
	AATR7015	1500 x 700				48
	AATR9015	1500 x 900		52		
	AATR7016	1600 x 700		48		
	AATR7616	1600 x 760		46		
	AATR8016	1600 x 800		45		
	AATR9016	1600 x 900		53		
	AATR7017	1700 x 700		52		
AATR9017	1700 x 900	57				
QUADRANT	AATQ88	800 x 800	ABS capped stone resin. Supplied with 1x T-WASTE (90mm high flow)	AZT EP KIT Q10	25	
	AATQ99	900 x 900			30	
OFFSET QUADRANT	AATQ9076L	900 x 760	ABS capped stone resin. Supplied with 1x T-WASTE (90mm high flow)	AZT EP KIT Q12	29	
	AATQ9076R					
	AATQ8010L	1000 x 800			31	
	AATQ8010R					
	AATQ8012L	1200 x 800			40	
	AATQ8012R					
	AATQ9012L	1200 x 900			48	
	AATQ9012R					

## Easy Plumb Kits for Stone Resin Trays (nominally 95mm tall)

Comprising ALL legs, panels & fixings.

Order Code	Description
AZT EP KIT SR12	Square / Rectangular (1200 x 900mm)
AZT EP KIT SR17	Square / Rectangular (1700 x 1000mm)
AZT EP KIT Q10	Quadrant (1000mm)
AZT EP KIT Q12	Offset Quadrant (1200mm)

### MAXIMUM WEIGHT LIMIT FOR TRAYS:-

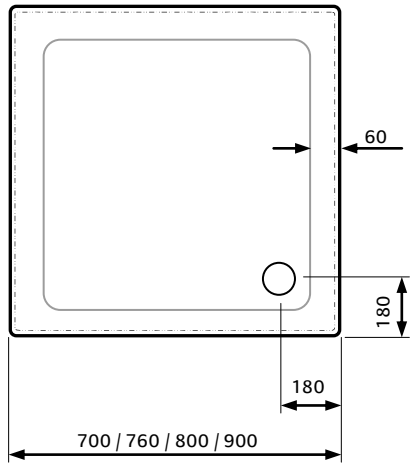
225kg (35 Stone) straight to floor.  
160kg (25 Stone) raised on legs.

All trays CE compliant with EN14527:2016.  
Declaration of Performance DP-10 (Available on request)

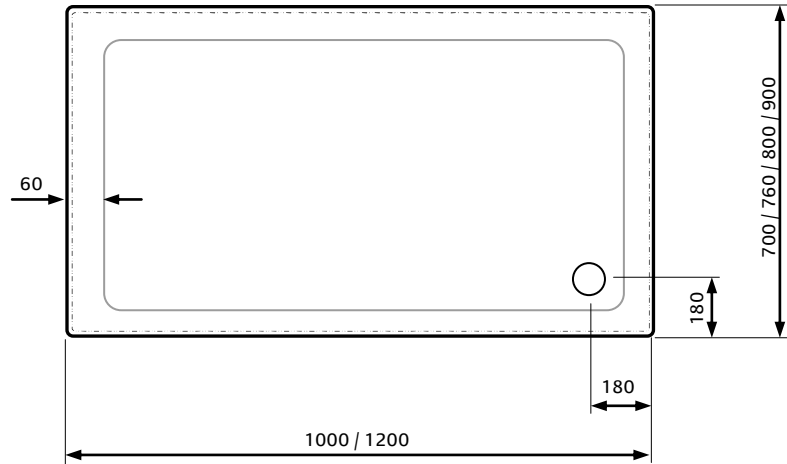


# Lakes Traditional Stone Resin Trays with 4 tiling upstands Standard Height (80mm) ABS capped stone resin (incl. waste trap).

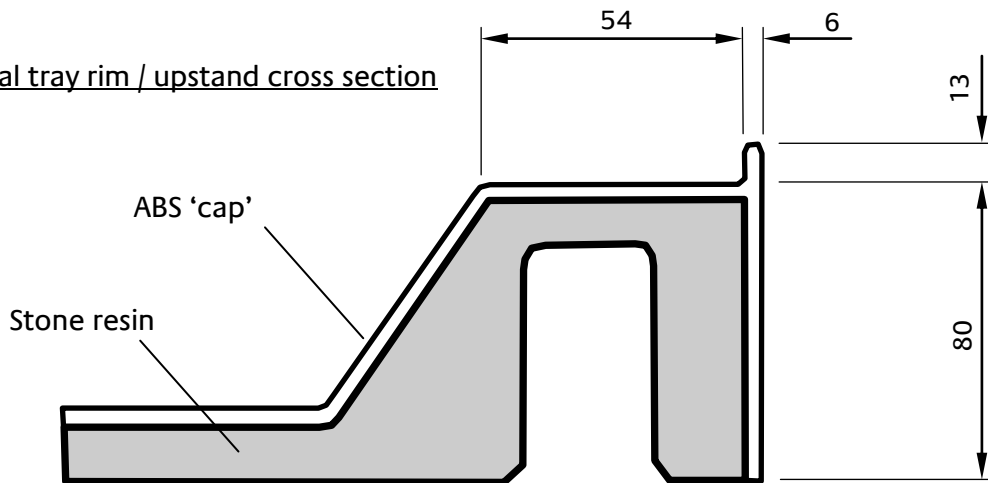
Square



Rectangular



Typical tray rim / upstand cross section



Tray Type	Product Code	Size (mm)	Material / Remarks	Legs & Panel Kit	Weight (kg)
SQUARE	ZZTS4U77	700 x 700	ABS capped stone resin. Supplied with 1x ZZT WASTE (50mm outlet trap)	AZT EP KIT SR12	32.5
	ZZTS4U7676	760 x 760			30.5
	ZZTS4U88	800 x 800			32.5
	ZZTS4U99	900 x 900			41.5
RECTANGULAR	ZZTR4U7010	1000 x 700	ABS capped stone resin. Supplied with 1x ZZT WASTE (50mm outlet trap)	AZT EP KIT SR12	39.5
	ZZTR4U7610	1000 x 760			39.5
	ZZTR4U7012	1200 x 700			46.5
	ZZTR4U7612	1200 x 760			47.5
	ZZTR4U8012	1200 x 800			49.5
	ZZTR4U9012	1200 x 900			55.5

Other 'upstand' tray sizes may be considered—Consult Lakes Bathrooms for availability.

**MAXIMUM WEIGHT LIMIT FOR TRAYS:-** 225kg (35 Stone) straight to floor. / 160kg (25 Stone) raised on legs.

All trays CE compliant with EN14527:2016. Declaration of Performance DP-10 (Available on request)

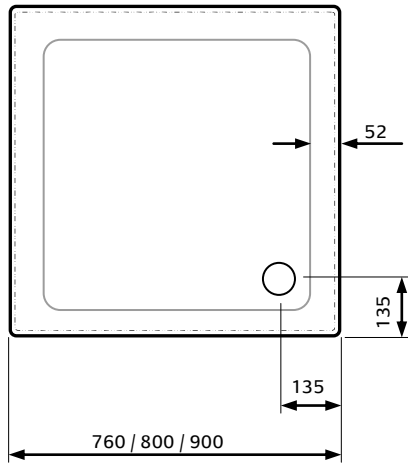
## Easy Plumb Kits for Stone Resin Upstand Trays (nom. 95mm tall)

Comprising ALL legs, panels & fixings.

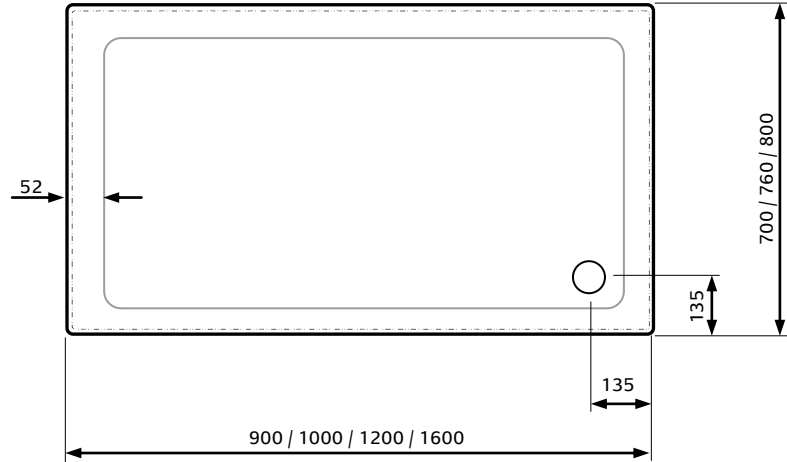
Order Code	Description
AZT EP KIT SR12	Square / Rectangular (1200 x 900mm)

# Lakes Traditional Stone Resin Trays with 4 tiling upstands Low Profile (40mm) ABS capped resin (incl. high flow waste trap).

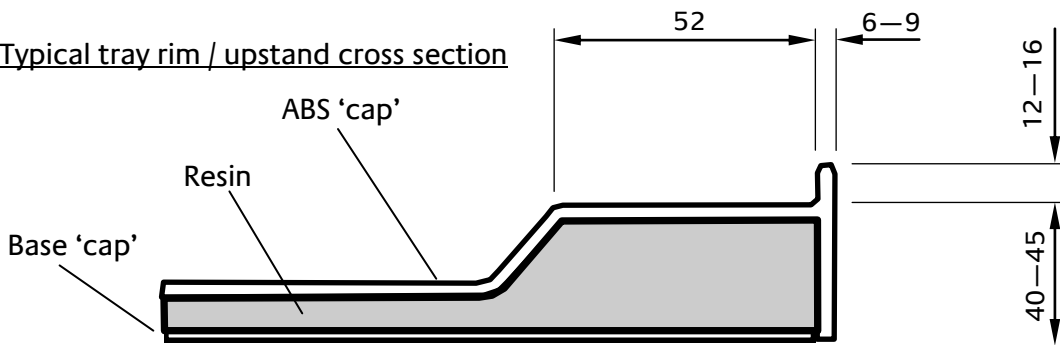
Square



Rectangular



Typical tray rim / upstand cross section



Tray Type	Product Code	Size (mm)	Material / Remarks	Legs & Panel Kit	Weight (kg)
SQUARE	LFTR4U7676	760 x 760	ABS capped resin. Supplied with 1x T-WASTE (90mm high flow)	LFT EP KIT SR12	26.5
	LFTR4U88	800 x 800			31.5
	LFTR4U99	900 x 900			36.5
RECTANGULAR	LFTR4U9076	900 x 760	ABS capped stone resin. Supplied with 1x T-WASTE (90mm high flow)	LFT EP KIT SR12	33
	LFTR4U7010	1000 x 700			31.5
	LFTR4U8010	1000 x 800			35.5
	LFTR4U7612	1200 x 760			42
	LFTR4U8012	1200 x 800			51
	LFTR4U8016	1600 x 800		LFT EP KIT SR17	57.5

Other 'upstand' tray sizes may be considered—Consult Lakes Bathrooms for availability.

## Easy Plumb Kits for Lightweight Resin Upstand Trays (nom. 95mm)

Comprising ALL legs, panels & fixings.

Order Code	Description
LFT EP KIT SR12	Square / Rectangular (1200 x 900mm)
LFT EP KIT SR17	Rectangular (1700 x 1000mm)

## Wastes

**MAXIMUM WEIGHT LIMIT FOR TRAYS:-**  
225kg (35 Stone) straight to floor.  
160kg (25 Stone) raised on legs.  
All trays CE compliant with EN14527:2016.  
Declaration of Performance DP-10 (Available

Order Code	Description	Max. Flow Rate
ZZT WASTE	50mm Waste (All 80mm Stone Resin Trays)	38 L/Min.
T WASTE	90mm Waste (All Low Profile Trays)	32 L/Min.