



**TONGUE & GROOVE INSTALLATION**

# selkie BOARD

## **INSTALLATION GUIDE**

### TONGUE & GROOVE INSTALLATION

Please carefully read the following information to ensure that you do not invalidate your 15 year warranty.

# Selkie Board Tongue & groove

## Larger Room or Commercial Installation

### Tools

We recommend that the following tools are available prior to installation.

- Pencil & Ruler
- Measuring Tape
- Jig saw or Hand saw
- Masking Tape
- High-grab adhesive
- Silicone Sealant

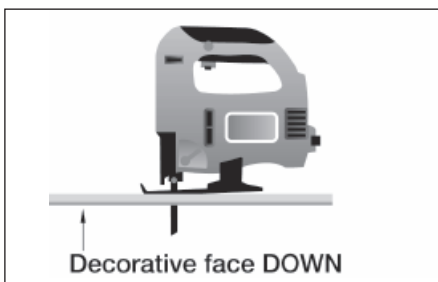


Fig1.

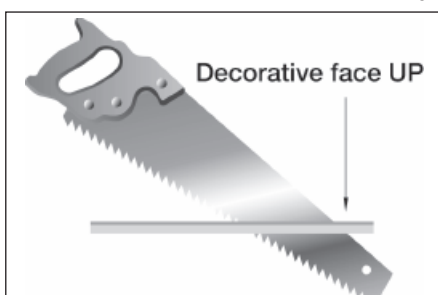


Fig2.

### Wall preparation

It is essential that walls should be completely dry before installing Selkie and any source of dampness is treated. Wherever possible, remove existing wall coverings such as wall paper and fabrics. There is no need to make good the surface to be covered.

### Groundwork

Rearo do not recommend direct fixing of tongue & groove boards to masonry, cement or plastered surfaces, however flat and well finished.

The best results for Selkie™ "Tongue and Groove" are achieved by securely fixing a groundwork of horizontal timber battens

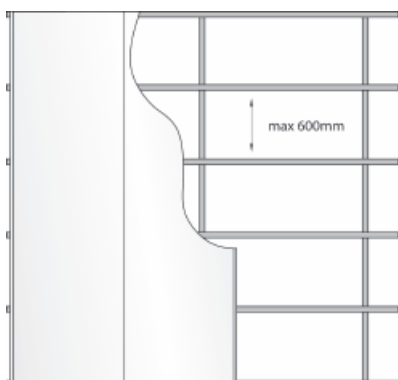


Fig3.

e.g. 25mm x 50mm (rot proofed if required) at maximum 600mm centres, packed out to a true, flat and plumb surface. Always ensure a batten is placed at the extreme top and bottom of the panels. Vertical panels will be necessary around windows and doors. Additional battens must be used where heavy items such as cabinetry and sanitary-ware are to be fixed.

### Cutting of Panels

When using a jig-saw (with upward cutting jig-saw blade), panels should be cut from the back, decorative face down (Fig1) to prevent chipping of the laminate surface. When using a standard hand saw - decorative face should be UP (Fig 2).

For the best results - where possible apply masking tape along the line of cut.

### Cutting Apertures

Although Selkie Board has a highly durable finish, care should be taken when cutting apertures or inspection hatches.

Internal corners of apertures and cut outs MUST always be smoothly radiused to as large as possible, with a 5mm minimum radius. This radius should be increased as the side lengths of the aperture are increased. (Fig 4)

Ensure that wooden blocks are placed below your drilling areas to prevent 'burst out' and any possible damage to the decorative face.

Mark out cutting shape to rear face and drill positions on front ensuring one at each corner.

Drill holes at suitable intervals around perimeter of shape on front face.

Leave a 3mm clearance around all pipes and accessories and seal with silicone sealant.

Using jigsaw, slowly cut around perimeter of shape on rear face, taking care to retain the radius in the corners.

Ensure that your fitting overlaps the aperture cut-out. (fig 6)

When using a circular saw or fine-tooth blade hand-saw, panels should be cut decorative face up, with the protective film removed from the cutting line only

When measuring distance from walls, or past shower enclosures, allowances should be made for the thickness of aluminium profiles and the space between walls and profiles.



## selkie waterproof wall cladding system is quick and easy to install

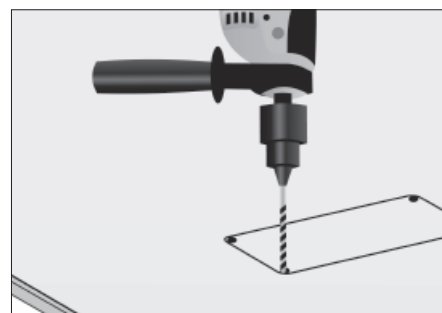


Fig4.

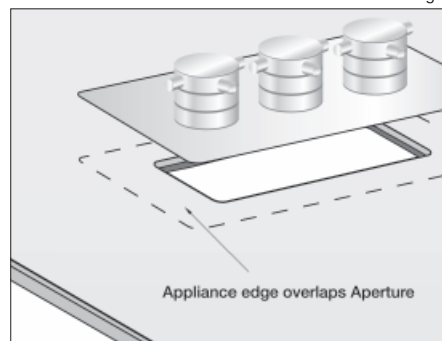


Fig5.

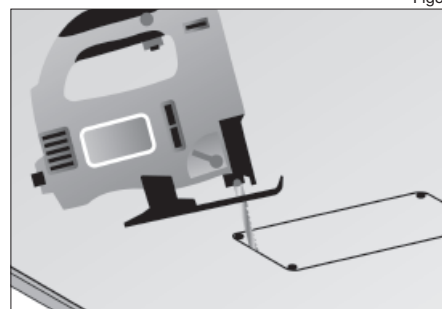
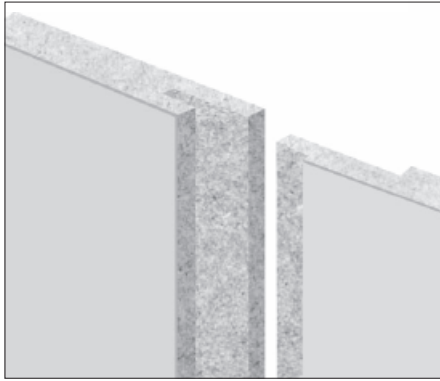


Fig6.

## Installation for a 2 or 3 sided shower enclosure

For larger installations Selkie Board may be supplied as a Tongue and Groove option - this is often a more practical option and together with colour matched sealant results in a professional installation. (fig 7)



### Plan the room

Start in the corner furthest from the door, fix Selkie™ panels with 3/4" x No. 6 wood screws through the back shoulder of the groove (ensure that screw heads do not obstruct the tongue of the next panel, insert the tongue of the next panel into the groove and fix as before.(Fig 8)

### Fixing tongue and groove panels

Tongue and groove panels should be dry jointed prior to final installation to ensure a sufficiently flush and tight joint will be achieved between all panels and also to ensure colour consistency between panels.

Screws should be at 400 – 600mm centres with the bottom screw a maximum of 35mm from the bottom edge of the panel.

Panels should always be screwed to the horizontal timber battens to ensure a smooth surface at maximum 600mm centres.(Fig 9)



Fig9.

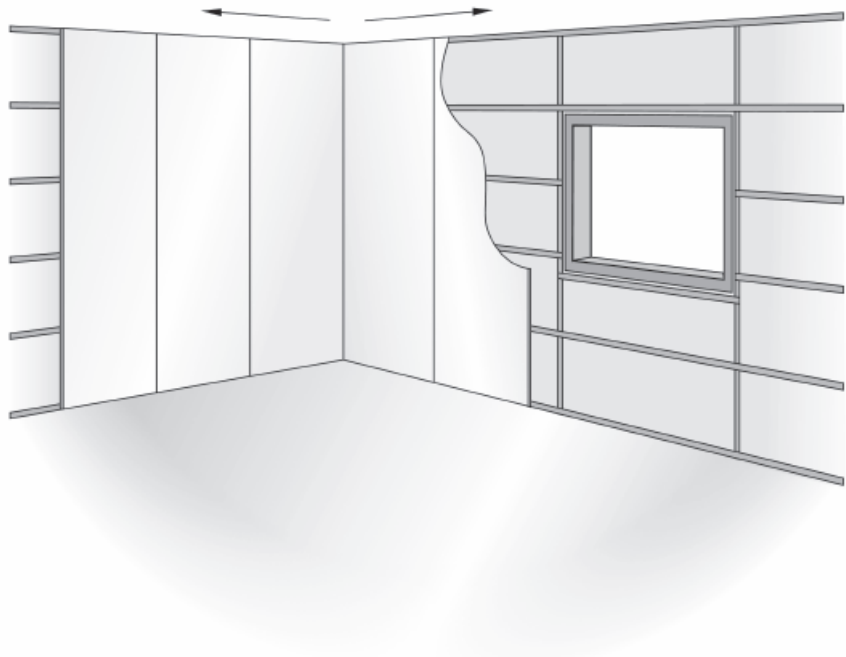


Fig8.

### Around the Room

Continue to work around the room, apply a ribbon of colour match sealant onto the long shoulder of the tongue of the next panel to be inserted. Insert the edge of the next panel. Again fix the panels into place through the back of the groove.

Cut the last panel of this wall section to size, fit corner profile to panel and swing panel into position. Screw fix profile along the free edge, again continue installing the panels, as before.

For the last panel above the door, cut to size from the groove edge leaving the tongue intact. Rebate the back edge and insert the tongue into the groove (fig 6). Fix the rebated edge to the battens with panel adhesive.

### Internal corners. (Fig 10)

First fix an internal corner profile in position ensuring that it is plumb. Cut off tongue edge to be fixed into profile, apply sealant along profile recess.

Please note: take care not to apply excessive silicone to channels in profiles

Insert the cut edge of the panel (fig 4).

Using a 3/4 No6 screw, fix the opposite edge to the batten through the back of the groove.

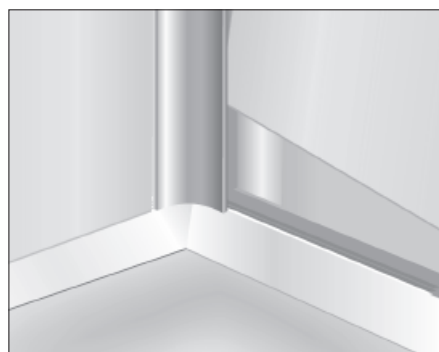


Fig10.

### External corners (Fig 11)

Cut panel to size.

Locate edge profile on square edge and place panel into position (fig 7).

Fix using 3/4 No6 screws through exposed profile section tongue. A few dabs of sealant applied to the battens will help secure the panel.

Trim tongue of next panel, insert into profile and continue to fix as normal.

The external corner profile can (when required) also be used around window sills.

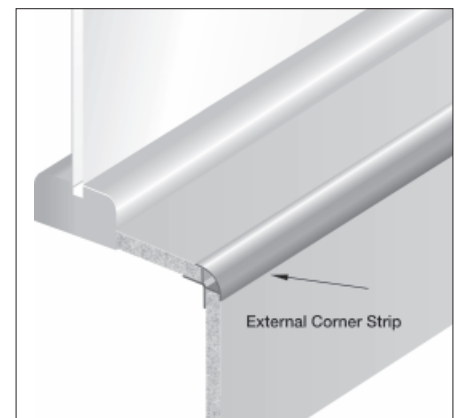


Fig11.

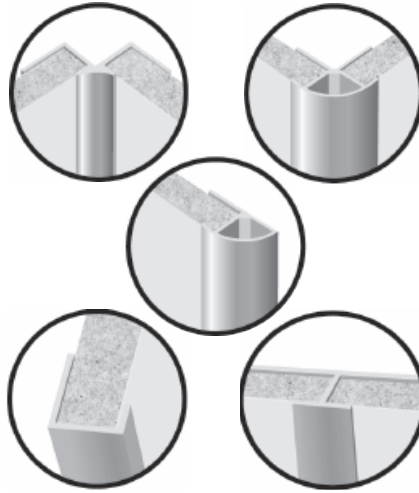
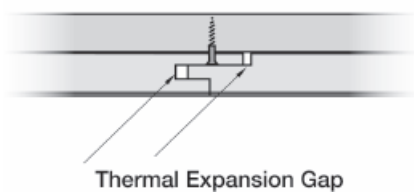
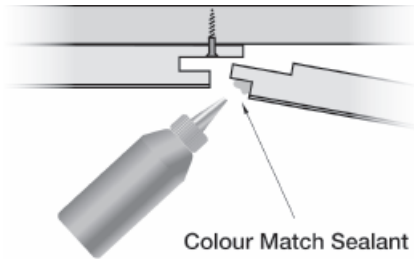
Use of an "L section" or an end cap profile is preferred if a profile is required around the entire windows recess.

If cutting an external corner for use around window frames a 'packing piece' should be used.

## Colour Match Sealant

Selkie colour matched sealant will enhance your installation and provide a sanitary quality waterproof and flexible seal that will not crack.

- Ensure that surfaces are clean, dry and grease free
- Apply a thin bead onto tongue (see illustration)
- Bring the two panels together and apply pressure until the joint is closed
- A small bead of sealant will squeeze out of the joint, which should be allowed to dry for 10-15 minutes
- Clean off remaining adhesive by wiping across the joint with a damp cloth. (If the adhesive is allowed to dry a strong solvent will be required).



## Finishing Trims

Selkie Tongue & Groove panels can be supplied complete with a range of required finishing trims – Internal corner, External corner, End cap, 'H' section & 'L' section

All profiles are available in satin silver, polished silver, black and white finishes.

## Cleaning



Once installed, Selkie Board requires minimal maintenance. Selkie Board should be cleaned with warm water and a non-abrasive mild detergent.

Scouring products or similar products should not be used, and doing so may invalidate your warranty.



Please be aware that these instructions are not exhaustive, if you require further information, advice or are in any doubt as to how to proceed please contact the Rearo technical team on 0141 440 0800.

Please also note that for all installations there are some general, simple guidelines which must be followed without which our warranty would be invalidated including:

- all exposed edges of panels must be sealed.
- panels should never be fitted directly onto a shower tray without adequate sealing. Please see instructions.

Note: It is always wise to dry fit first to ensure a good fit.

## FURTHER INFORMATION

For further information please contact your local rearo service centre, where our experienced team can offer further advice regarding installation or maintenance.

# REARO®

**Rearo, Loanbank House, Loanbank Quadrant, Govan, Glasgow, G51 3HZ**  
**Tel: 0141 440 0800 Fax: 0141 445 3342 www.rearo.co.uk sales@rearo.co.uk**

### Rearo AYR

Unit 42-44  
 Heathfield Business Park  
 Boundary Road  
 Ayr KA8 9DJ

T: 01292 289 338  
 F: 01292 261527  
 E: ayr@rearo.co.uk

### Rearo GATESHEAD

Unit 3,  
 Eastern Avenue Trade Park  
 Team Valley  
 Gateshead NE11 0ZJ

T: 0191 482 2298  
 F: 0191 482 6245  
 E: gateshead@rearo.co.uk

### Rearo INVERNESS

7 Burnett Road  
 Longman Industrial Estate  
 Inverness  
 IV1 1TF

T: 01463 239918  
 F: 01463 221130  
 E: inverness@rearo.co.uk

### Rearo SHETLAND

Staneyhill Gas Depot  
 North Road  
 Lerwick  
 Shetland Isles  
 ZE1 0QA

T: 01595 692807  
 F: 01595 695469  
 E: lerwick@rearo.co.uk

### Rearo NEWPORT

Unit 14 & 15 Estuary Crt  
 Estuary Road  
 Queensway Meadows  
 Newport NP19 4SP

T: 01633 283000  
 F: 01633 283001  
 E: newport@rearo.co.uk

### Rearo ROSYTH

Unit 15 & 16 Primrose Lane  
 Dunfermline Business Park  
 Rosyth  
 KY11 2RN

T: 01383 414000  
 F: 01383 414400  
 E: rosyth@rearo.co.uk