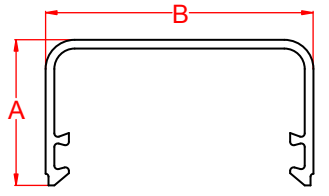


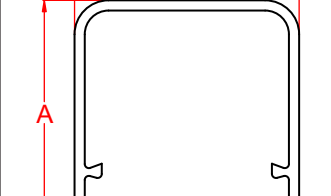
The Pipe Cover Range



Code: CVD10
10 mm Double
Pipe Cover

DIM A = 25 mm
DIM B = 46 mm

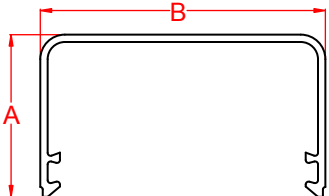
Available as 2.5 or 3
metre lengths in packs
of 12



Code: CVS15
15 mm Single
Pipe Cover

DIM A = 33 mm
DIM B = 33 mm

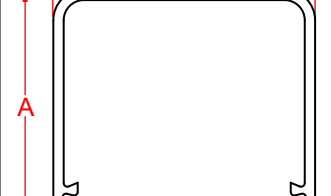
Available as 2.5 or 3
metre lengths in packs
of 12



Code: CVD15
15 mm Double
Pipe Cover

DIM A = 33 mm
DIM B = 58 mm

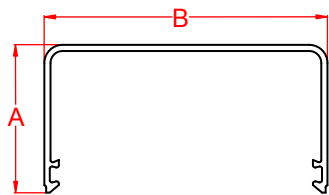
Available as 2.5 or 3
metre lengths in packs
of 12



Code: CVS22
22 mm Single
Pipe Cover

DIM A = 40.7 mm
DIM B = 43 mm

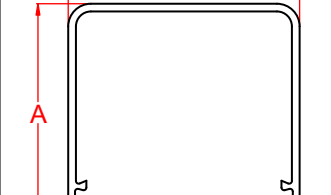
Available as 2.5 or 3
metre lengths in packs
of 12



Code: CVD22
22 mm Double
Pipe Cover

DIM A = 40.7 mm
DIM B = 78 mm

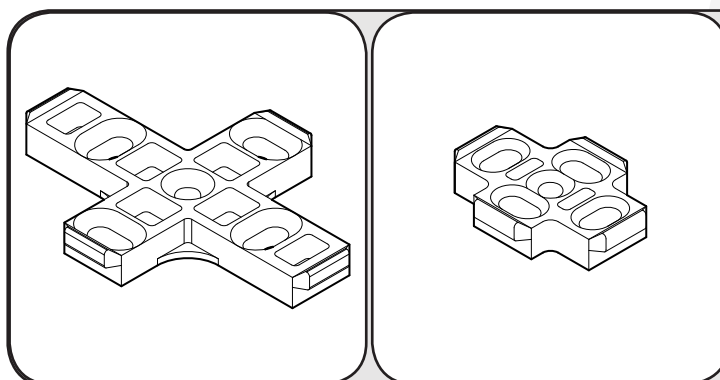
Available as 2.5 or 3
metre lengths in packs
of 12



Code: CVS28
28 mm Single
Pipe Cover

DIM A = 48 mm
DIM B = 53 mm

Available as 2.5 or 3
metre lengths in packs
of 12



Code: ASBP15 (for 15 & 22 mm single cover)
ADBP15 (for 15 & 22 mm double cover)

Backing plate replacement fixing bracket
for installations not involving Talon hinged
clips.

Spacing between back plates: No more
than 1 metre apart