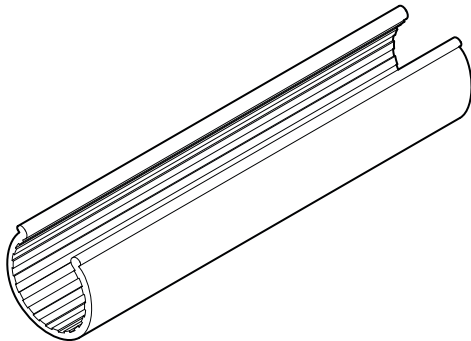
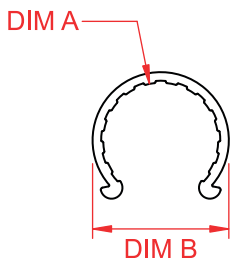


# The Snappit Cover Range



Snappit is designed to cover, protect and add finish to pipe installations. Snappit will fit to copper or plastic pipe with a minimum of effort without the need for messy adhesive.

Talon Snappit comes in a variety of colours and sizes.

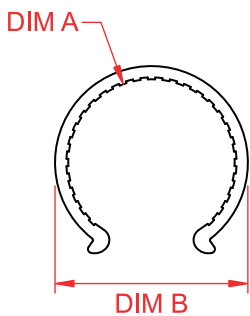


15 mm Snappit Cover DIM A = 15 mm / DIM B = 18 mm

200 mm lengths in packs of 10 - White Code: CSNW15/10  
200 mm lengths in packs of 10 - Chrome Code: CSNC15/10

1 metre lengths in packs of 3 - White Code: CSNW15/1  
1 metre lengths in packs of 3 - Chrome Code: CSNC15/1

2.5 metre lengths in packs of 4 - White Code: CSNW15/2.5

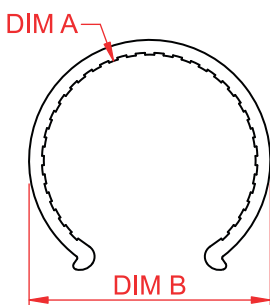


22 mm Snappit Cover DIM A = 22 mm / DIM B = 25.5 mm

200 mm lengths in packs of 10 - White Code: CSNW22/10  
200 mm lengths in packs of 10 - Chrome Code: CSNC22/10

1 metre lengths in packs of 3 - White Code: CSNW22/1  
1 metre lengths in packs of 3 - Chrome Code: CSNC22/1

2.5 metre lengths in packs of 4 - White Code: CSNW22/2.5



28 mm Snappit Cover DIM A = 28 mm / DIM B = 31.9 mm

200 mm lengths in packs of 10 - White Code: CSNW28/10  
200 mm lengths in packs of 10 - Chrome Code: CSNC28/10

1 metre lengths in packs of 3 - White Code: CSNW28/1  
1 metre lengths in packs of 3 - Chrome Code: CSNC28/1

2.5 metre lengths in packs of 4 - White Code: CSNW28/2.5