

Concept Close Coupled Back To Wall WC Pan Cube With Aquablade Technology

ILLUSTRATED

- E8228** Concept close coupled back to wall wc pan with horizontal outlet and Aquablade technology
- E7969** Concept Cube close coupled delay fill, valve cistern 4/2.6 litre dual flush push button bottom supply and internal overflow
- E7726** Concept, slim seat and cover, slow close

OPTIONS

- E7859** Concept Cube close coupled cistern 6/4 litres dual flush push button valve bottom supply and internal overflow
- E7725** Concept, slim seat and cover
- E7917** Concept, seat and cover, slow close
- E7918** Concept, seat and cover
- E3222** Panekta outlet Connector, finned pattern to convert horizontal outlet WCs to P trap
- S4300** Panekta outlet Connector, finned pattern to convert horizontal outlet WCs to S or turned P trap

ILLUSTRATED PRODUCT DETAILS

Weights

- E8228** 31.00 KG
- E7969** 11.90 KG
- E7726** 2.10 KG

Materials

- E8228** Vitreous China
- E7969** Vitreous China
- E7726** Plastic

Finishes

- E8228** White (01)
- E7969** White (01)
- E7726** White (01)

Capacity

- E7969** 4 litres

Designer

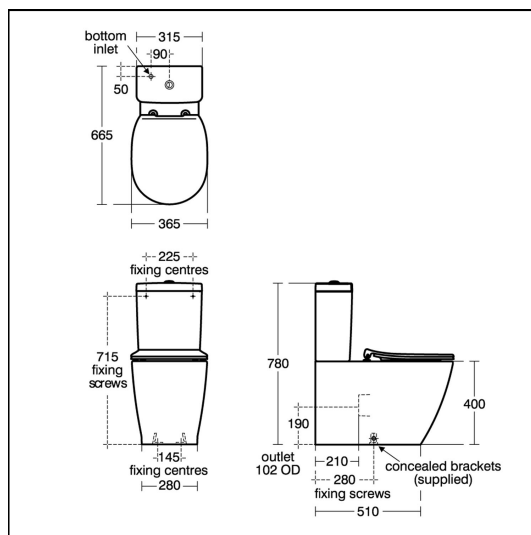
Robin Levien, RDI

Standards

Vitreous china to BS 3402, BS EN 997 & BS EN 33

Special Notes

WC screwed to floor and cistern screwed to wall. Joint to wall sealed with waterproof sealant (not supplied)



ACCREDITATIONS

E7859(01)



E7969(01)



FEATURES

