

TECHNICAL DATASHEET

TARGET

Monobloc Sink Mixer with Pull-Out Spray

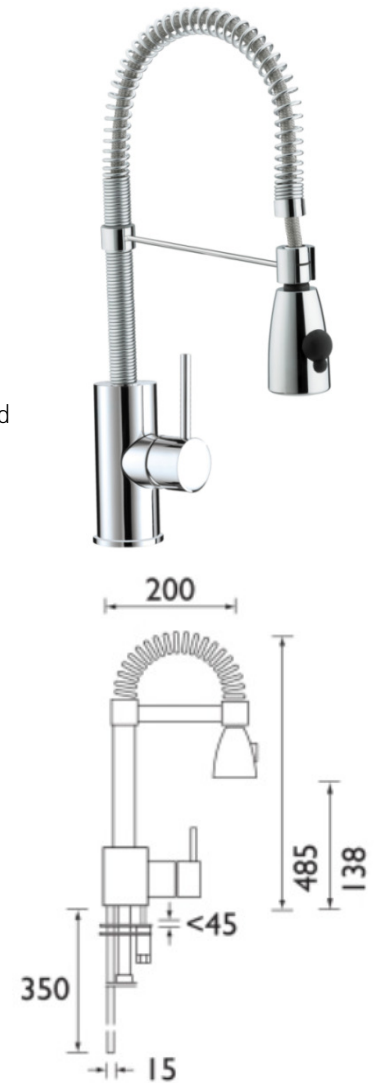
Product Specification

Product Code:	TG SNK C
Finish:	Chrome
Product Type:	Contemporary
Construction:	Body is of brass construction and is designed to conform to BS EN 200
Valve Type:	35mm ceramic disc cartridge
Supply:	Suitable for all plumbing systems, ideally balanced
Inlet Connections:	G½" female ended flexible tail pipes
Working Pressures:	Min 1.0bar, Max 8.0bar

Additional Information

- Chrome plated to BS EN 248
- Supplied with 2 double check valves
- Supplied with an aerator type flow straightener.
- Compatible with the following flow limiters:
(which fit the end of the spout)

ECO BAS3.5
ECO BAS4.5
ECO BAS6



Flow Rates (litres per minute)

System Pressure	1.0bar	1.5bar	2bar	3bar	4bar	5bar
TG SNK C	6.1	7.9	8.8	10.8	12.5	14.0

Compliance / Approvals

WRAS:	Manufactured to comply with WRAS
Technical Advice:	For further information please call 0844 7016273 or email customer@bristan.com
Guarantee:	5 years covering manufacturing faults.



Bristan, Birch Coppice Business Park, Dordon, Tamworth, B78 1SG
 Telephone: 0844 701 6274 Facsimile: 0844 701 6275
 Web Site: www.bristan.com Email: enquire@bristan.com



The information contained on this page was correct at date of issue. Fitting dimensions are provided as a guide only. Some variation may occur due to manufacturing tolerances. Bristan pursues a policy of continuing improvement in design and performance of its products and so reserves the right to change specifications without prior notice.