

R 1/2 C

REGENCY Tap Range Regency Basin Taps Chrome



Specification	
Style:	Traditional
Product Type:	Bathroom taps
Finish/Colour:	Chrome
Main Construction Material:	Brass
Mount Type:	Deck
Handle Type:	Cross Head
Connection Inlet:	1/2" BSP
Number of Tap Holes Required:	2
Valve/Cartridge Type:	1/2" Compression Valve
Plumbing System Suitability	All
Working Pressure Range:	Min 0.2 bar - Max 5 bar
Maximum Hot Water Temperature: °c	65
Maximum Dynamic Pressure: (bar)	5
Maximum Static Pressure: (bar)	10
Flow Type:	Single Flow
Flow Rate: (l/min @ 3 bar)	58.4
Connection Outlet:	Open
Isolation Included:	No

Features:

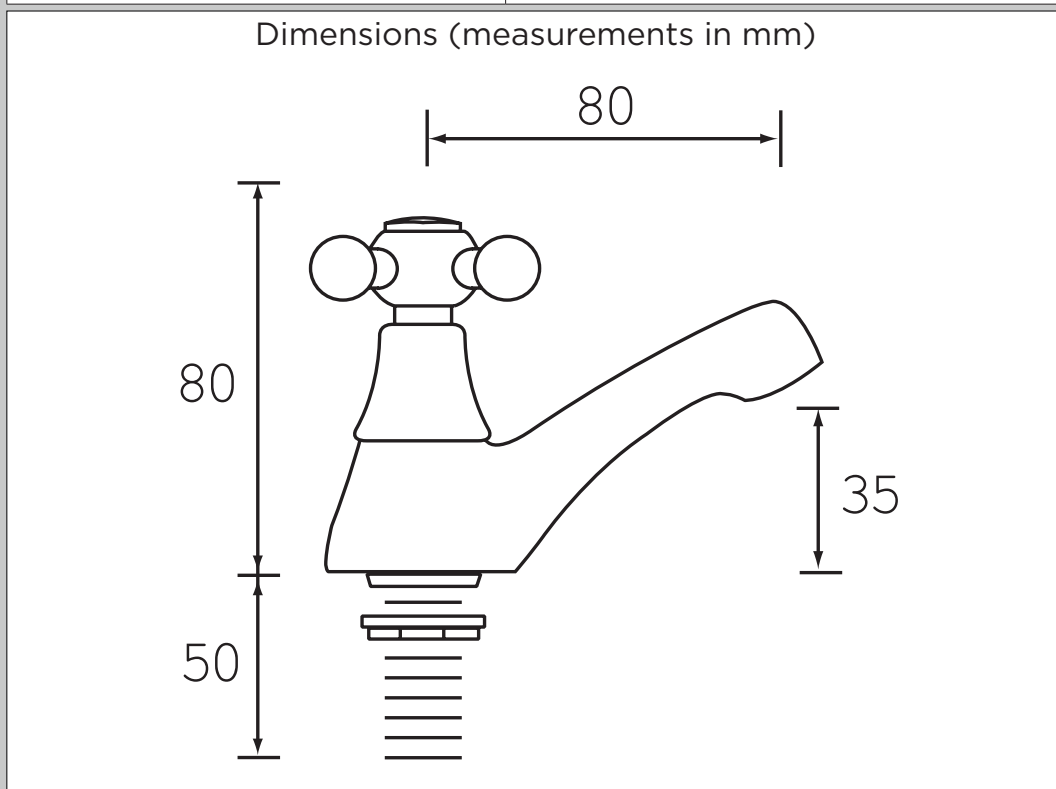
- Chrome plated to BS EN 248

Product Certifications:

WRAS Certificate No: 1307036
WRAS Expiry Date: 31/07/2018



For more products, visit our website:



Flow Rates (l/min)						
System Pressure (bar)	0.2	0.5	1	2	3	5
R 1/2 C	14	23	33.9	48.2	58.4	75.4

TECHNICAL DATA SHEET



BRISTAN

TAPS & SHOWERS

D5