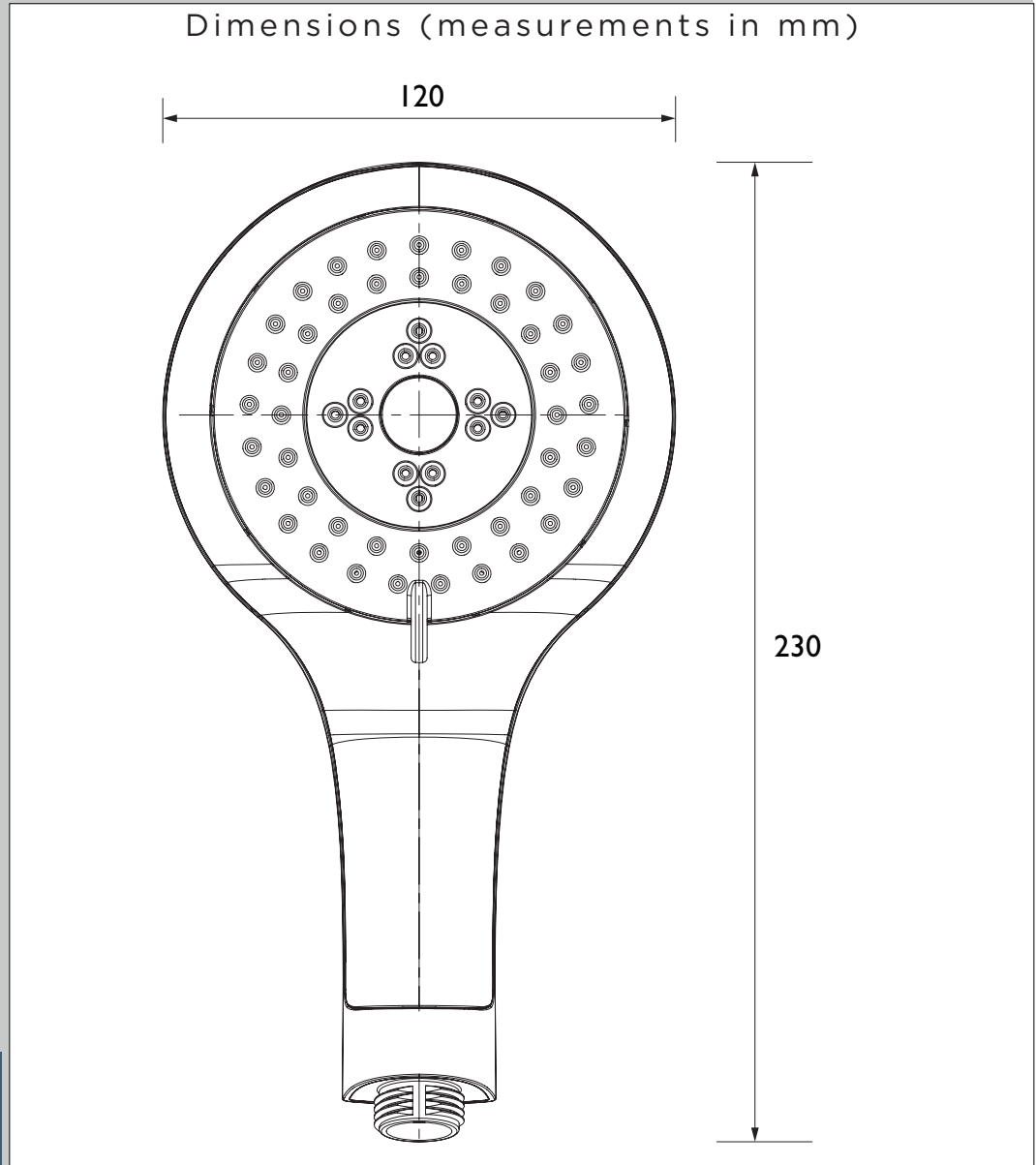


EVC HAND04 C

Accessories EVO Large Multi Function Rub Clean Handset Chrome Plated



Specification	
Main Construction Material:	Plastic
Connection Inlet:	G 1/2" BSP
Contemporary or Traditional:	Contemporary
Finish Colour:	Chrome plated
Left or Right Handed:	Both
Maximum Static Pressure: (bar)	10
Rub Clean Handset:	Yes



Flow Rates (l/min)					
System Pressure (bar)	0.5	1	2	3	5
EVC HAND04 C	7.50	10.40	14.50	17.75	18.20

Features:

- Flow regulator accurate to +/- 10%
- Supplied with 1 x 8 l/min flow regulator (fitted)
- 3 function settings; massage, rain and combined
- Rub clean nozzles
- Chrome plated to BS EN 248

Product Certifications:



Expiry: 30/09/2022
Certificate N°: 1709040

For more products, visit our website:
<http://www.bristan.com>



**TECHNICAL
DATA
SHEET**



BRISTAN
TAPS & SHOWERS

D3