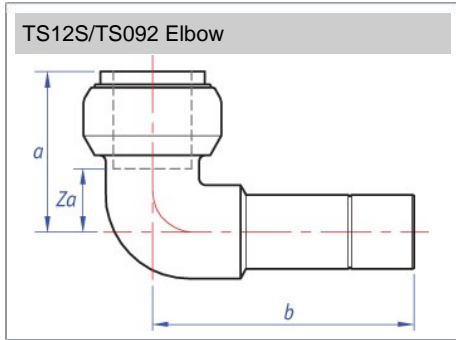




Tectite

Street elbow push-fit x male end for insertion into fitting



Code	Description	d1	d2	l1	l2	D1	z1	z2
25496	15mm TS12S/TS092	15	15	33	40	26	10	17
25498	18mm TS12S/TS092	18	18	34	43	29	11	20
25500	22mm TS12S/TS092	22	22	42	50	34	14	19
25502	28mm TS12S/TS092	28	28	47	61	42	16	30

Pegler Yorkshire reserve the right to change specifications

Pegler Yorkshire Tectite Sprint, Classic, Pro and 316 Guarantee - Terms and Conditions

Products are subject to a guarantee that is between Pegler Yorkshire and the final purchaser of the product. When correctly assembled with the stated tubes and pipe the length of guarantee is as follows:

25 Years Where Tectite Sprint, Tectite Classic, Tectite Pro and Tectite 316 fittings, Tectite-PEX barrier pipe and 316 System tube are installed in pipelines with products from other manufacturers, they are guaranteed for 25 years.

30 Years Where pipelines are constructed exclusively using Tectite fittings and recommended tubes, the resulting installations will be deemed Tectite Systems and qualify for a 30 year guarantee.

Qualifying systems are:

- Tectite Sprint fittings with Yorkex copper tube and/or Tectite-PEX pipe
- Tectite Classic fittings with Yorkex copper tube and/or Tectite-PEX pipe
- Tectite Pro fittings with Yorkex copper tube and/or Tectite-PEX pipe
- Tectite 316 fittings and stainless steel 316 System tube.

The guarantee is subject to proof of purchase being supplied.

This guarantee does not affect any statutory rights the consumer may have in law.

The guarantee covers manufacturing or material defects when installed in accordance with our instructions on specified tube materials and applications, and does not cover parts subject to normal wear and tear.

This product range has been designed for the use of homeowners, domestic and commercial applications and therefore the Guarantee is subject to the product being properly selected for their intended service conditions.

The guarantee is not applicable where the product is fitted contrary to the conditions in the fitting instructions.

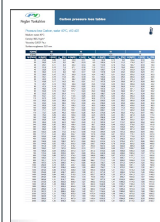
This is reinforced where valves are covered by the European Pressure Equipment Directive (PED97/23/EC) where Installation, Operating and Maintenance Instructions are supplied with each product and/or carton.

Provided it is installed correctly and receives adequate preventative maintenance it should give years of trouble-free service.

Abusive behaviour and accidental damage to the product are not covered by this guarantee.

The extent of this liability is limited to the cost of the replacement of the defective item and not to installation or consequential damages.

Tectite Fitting	Tube/pipe used with	Min temperature			Max temperature
316 up to 28mm	Stainless Steel	-24°C at 20bar	30°C at 20bar	65°C at 16bar	114°C at 10bar
316 over 35mm	Stainless Steel	-24°C at 16bar	30°C at 16bar	65°C at 10bar	90°C at 6bar



Pressure Loss Tables: Stainless Steel Water

Care

No regular aesthetic care is required for this product

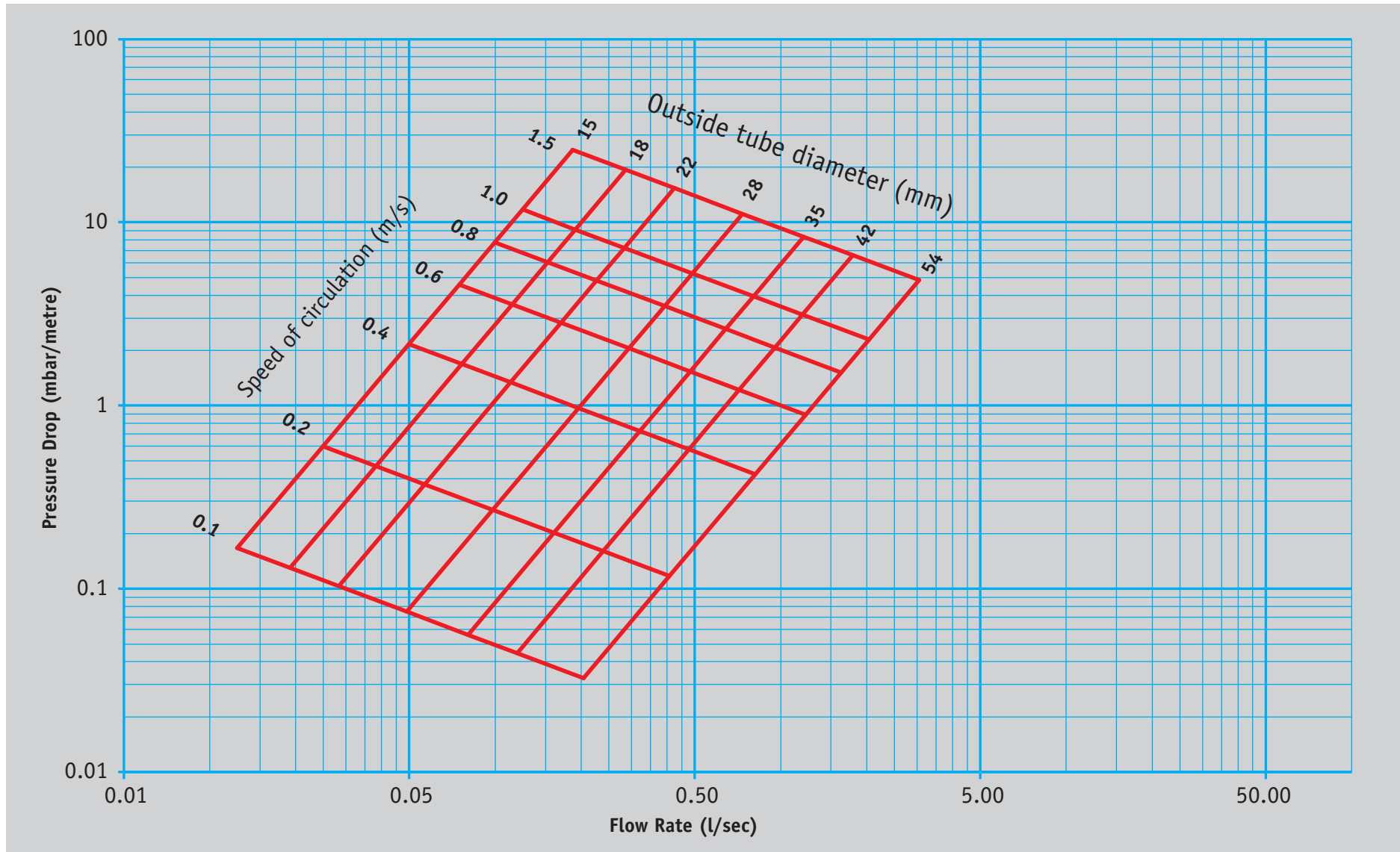
Maintenance

No regular maintenance is required for this product.

For any further help please contact the Service Support Team on: 0800 1560050.

Component	Material
Body	Stainless steel (316)
O ring	EPDM
Pipe guide	Glass filled nylon 6
Demount collar	Brass tin plated
Grab ring	Stainless steel

Pegler Yorkshire Group Ltd, St Catherine's Ave, Doncaster, S Yorkshire, DN4 8DF
Telephone: Phone +44 (0) 844 243 4400 Fax: +44 (0) 844 243 9870 Website: www.pegleryorkshire.co.uk
Registered office : Pegler Yorkshire Group Ltd, St Catherine's Ave, Doncaster, S Yorkshire, DN4 8DF Company no : 00401507

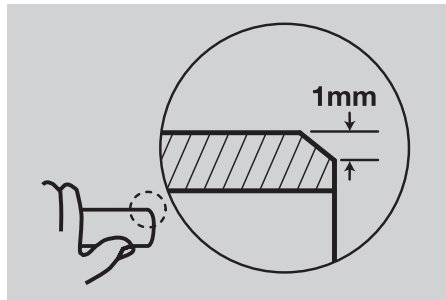


For joints 10 to 54mm

Always cut the tube square, using a rotary tube cutter whenever possible. Ensure the cutter wheel appropriate for the material been cut (Carbon steel requires a higher grade of cutter wheel, Pegler Yorkshire recommend using the TC155 with a REMS Cento)

If you are using PEX or PB pipe cut the pipe using pipe shears. When using plastic coated carbon steel tube remove the coating using the S115 stripping tool.

Deburr the tube end, both internally and externally to create a 1mm chamfer on the outside of the tube.



Check the tube ends are free from damage and clean, wiping away any swarf to avoid damaging the 'O' ring on tube insertion. Tube end must also be free from stickers, tape and adhesive residues.

Where using PEX or PB you must use always insert a support liner ensuring it is the correct liner as specified by the pipe manufacturer. If the pipe has been used on previous installations you will need to cut it back to behind the teeth or score marks.

Mark the socket depth with a marker.

Fitting socket depths for Tectite:

Size	Sprint	Classic, PRO & 316	Carbon
10mm	15mm	23mm	-
12mm	17mm	23mm	-
15mm	16mm	23mm	28mm
18mm	-	23mm	28mm
22mm	19mm	27mm	30mm
28mm	20mm	31mm	32mm
35mm	-	57mm	40mm
42mm	-	62mm	42mm
54mm	-	68mm	45mm

For chrome plated copper tube you must scribe the tube using the correct Tectite Scribing tool.

Select the correct type and size of fitting for pipework.

The fitting should be kept in its bag until point of use to protect the 'O' ring.

Check the fitting ensuring the grab rings/'O'rings have not been contaminated with grit or debris.

Insert the tube/pipe firmly with a slight twisting action until it reaches the tube stop with a positive "click".

Ensure the depth insertion mark corresponds with the mouth of the fitting, then pull firmly on the tube/pipe to ensure the fitting is secure.

Note: Tectite Sprint and Tectite Carbon fittings must not be used with male ended fittings from other Tectite ranges (except T5265). Other third party male ended products should not be used with any Tectite fittings.

Do not use Tectite fittings on gas services.

Tectite Classic fittings do not provide electrical continuity, other Tectite fittings only provide electrical continuity when installed with metal tube.

De-mounting Tectite fittings

Range	De-mountability
Sprint	No
Classic	Yes
PRO	Yes
316	Yes
Carbon	No

For sizes 10mm to 28mm

Place the forks of the disconnecting tool around the fitting assembly. The fork side carrying the Tectite brand logo should be positioned around the tube/pipe with the opposite side around the neck of the fitting.

Squeeze the disconnecting tool with one hand until the release collar in the fitting is compressed. With the other hand, twist out the tube/pipe using the thumb as a lever against the tool to assist disconnection.

Check the fitting and tube/pipe for damage before remaking the joint.

The plastic disconnecting clip may be used where only an occasional disconnecting facility is needed.

For sizes 35mm to 54mm

Have replacement parts for the discarded items ready for insertion. Using a spanner on the fitting flats to prevent the fitting from rotating, insert the Tectite DTX end cap tool into the slots in the end cap. Turn the tool anti-clockwise to unscrew the end cap and slide it along the tube away from the fitting body.

Pull the tube out of the fitting body.

Remove and discard the 'O' ring.

Remove and retain the alignment ring.

Snip off the grab ring with side cutters and discard. Before re-assembly replace the discarded parts, Tectite Pro grab rings (TX105) and Tectite 316 grab rings (TS106) these are not interchangeable.

The components must be clean and the 'O' ring lubricated using S130 Silicone lubricant. Replace the components in the correct order, as shown, and check they are fully seated in the fitting body.



Screw the end cap back into the fitting until hand tight. If resistance is felt and the end cap is not flush with the fitting body, remove the end cap and ensure the grab ring is fully located i.e. fully in contact with the alignment ring. Again screw the end cap into the fitting until hand tight. Temporarily insert a 300mm length of deburred tube into the fitting BUT NOT THROUGH the grab ring to help locate the demount tool. Tighten the end cap a further 8mm to 10mm (radically). Remove the tube.

Before reinstalling the fitting back into the system, check the end of the tube for damage. If the tube is scored or damaged, remove the affected section with a tube cutter and prepare the tube end as described in preliminaries and tube preparation.

The advantages of Tectite

- A totally heat-free jointing solution
- Major reductions in installation times provides major installed cost savings
- No need for hot works permits or additional costly insurance
- Sizes from 10mm up to 54mm
- Systems have an exceptionally clean bore with no flux residues
- System guarantees* of up to 30 Years for Tectite Sprint, Tectite Classic, Tectite Pro Tectite 316 and 20 Years for Tectite Carbon and Tectite Flexifit connectors

Tectite Fitting	Tube/Pipe used with	Min Performance		Max Performance	
Classic	Copper	-24°C	30°C	65°C	95°C
		16 bar	16 bar	10 bar	6 bar
Sprint & Classic	PEX & PB	-20°C	20°C	65°C	92°C
		12 bar	12 bar	6 bar	3 bar
Sprint & PRO upto 28mm	Copper	-24°C	30°C	65°C	114°C
		20 bar	20 bar	16 bar	10 bar
PRO over 35mm	Copper	-24°C	30°C	65°C	90°C
		16 bar	16 bar	10 bar	6 bar
316 upto 28mm	Stainless steel	-24°C	30°C	65°C	114°C
		20 bar	20 bar	16 bar	10 bar
316 over 35mm	Stainless steel	-24°C	30°C	65°C	90°C
		16 bar	16 bar	10 bar	6 bar
Carbon	Carbon Steel	-24°C	30°C	65°C	114°C
		20 bar	20 bar	16 bar	10 bar



CERT

DVGW-Baumusterprüfzertifikat

DVGW type examination certificate

DW-8511BO0199

Registration Number
Registriernummer

Field of Application <i>Anwendungsbereich</i>	products of water supply <i>Produkte der Wasserversorgung</i>
Owner of Certificate <i>Zertifikatinhaber</i>	Pegler Yorkshire Group Ltd. Haigh Park Road, GB- Stourton; Leeds LS10 1RT
Distributor <i>Vertreiber</i>	Pegler Yorkshire Group Ltd. Haigh Park Road, GB- Stourton; Leeds LS10 1RT
Product Category <i>Produktart</i>	installation systems and system joints: pipe joint for pipes in drinking water installation systems (8511)
Product Description <i>Produktbezeichnung</i>	push connector type M-MM, made of stainless steel for pipes made of stainless steel according to DVGW GW 541 and pipes made of copper according to DVGW GW 392 (semi-hard, R 250 or hard, R 290)
Model <i>Modell</i>	Tectite 316
Test Reports <i>Prüfberichte</i>	supplement test: 120004471 from 25.09.2014 (MPM) laboratory control test: 120001607-12 L from 10.07.2012 (MPM) laboratory control test: 120001607-12 B from 10.07.2012 (MPM) type testing: 22 0002907 from 22.12.2003 (MPM) KTW testing: K-235415-13-Bs/st from 15.10.2013 (WHY) hygienic testing: MO 272/10 from 24.06.2011 (TZW)
Test Basis <i>Prüfgrundlagen</i>	DVGW W 534 (01.05.2004) BGA KTW (12.12.1985) DVGW W 270 (01.11.2007)

Date of Expiry / File No. 18.06.2018 / 14-0442-WNA
Ablaufdatum / Aktenzeichen

14.01.2015 GI A-1/2

Date, issued by, Sheet, Head of Certification Body
Datum, Bearbeiter, Blatt, Leiter der Zertifizierungsstelle

DVGW CERT GmbH is an accredited body by DAkkS according to EN 45011:1998 for certification of products for energy and water supply industry.

DVGW CERT GmbH ist von der DAkkS nach DIN EN 45011:1998 akkreditierte Stelle für die Zertifizierung von Produkten der Energie- und Wasserversorgung.



DVGW CERT GmbH
Zertifizierungsstelle

Josef-Wirmer-Str. 1-3
53123 Bonn

Tel. +49 228 91 88 - 888
Fax +49 228 91 88 - 993

www.dvgw-cert.com
info@dvgw-cert.com

WRAS[®]

Water Regulations Advisory Scheme

This certifies that

PEGLER YORKSHIRE GROUP LTD.

has had the undermentioned product examined, tested and found, when correctly installed, to comply with the requirements of the United Kingdom Water Supply (Water Fittings) Regulations/Scottish Water Byelaws.

TECTITE 316 RANGE OF STAINLESS STEEL PUSH-FIT FITTINGS FOR USE WITH STAINLESS STEEL PIPES

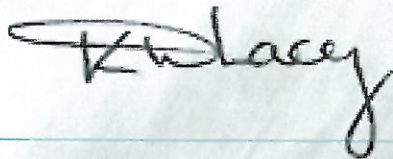
This certificate by itself is not evidence of a valid WRAS Approval. Confirmation of the current status of an approval must be obtained from the WRAS Directory (www.wras.co.uk/directory)

The product so mentioned will be listed in the Water Fittings and Materials Directory for a period until:

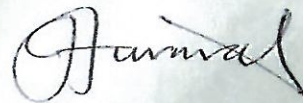
31 MARCH 2019

1403701

Certificate No.



Chairman, Product Approval Group



Secretary

WRAS
APPROVED
PRODUCT



Strojirenský zkušební ústav, s.p.
(Engineering Test Institute, Public Enterprise), Authorized Body 202
Hudcova 424/56b, 621 00 Brno, Czech Republic
Authorization Decision 27/2006 of 2006-08-29

DECISION

on the validity period extension of
Construction Technical Certificate

STO-30-00427-11

Manufacturer: Pegler Yorkshire Group Limited
St. Catherines Avenue, DN4 8D Doncaster, South Yorkshire
United Kingdom

Products: Tectite fittings

Type designation: Tectite PRO, Tectite CLASSIC, Tectite 316, Tectite SPRINT,
Tectite ADVANCE

Versions: see Pages 2 to 4

Place of manufacture: YORKSHIRE Fittings Gyártó Kft.
Maglódi út 16., H-1106 Budapest
Hungary

In accordance with the provisions of Section 10 of Act 22/1997 Coll., on technical requirements for products and on amendment to certain Acts, as amended, the abovementioned Authorized Body has verified Construction Technical Certificate STO-30-00427-11, issued on 2011-05-09. Whereas the data of the physical properties of the said products, their level and the ascertainment procedures with regard to essential requirements of Government 163/2002 Coll., as amended, have not changed, its validity is hereby extended until **2017-07-01**.

The rules for using the Decision are specified on Page 5.

Brno, 2014-07-01




Ing. Jiří Rozsival, MBA
Deputy Director

STO-30-00427-11-Decision, page 1 (5)

Strojirenský zkušební ústav, s.p., Hudcova 56b, 621 00 Brno, Česká republika
Engineering Test Institute, public enterprise, Hudcova 56b, 621 00 Brno, Czech Republic

www.szutest.cz



Specification of types and versions:

Tectite fittings with quick coupling device are made of CW024A copper (Tectite SPRINT), CW617N brass (Tectite CLASSIC, PRO), AISI 316-DIN 1.4401 stainless steel (Tectite 316), and of carbon steel (Tectite ADVANCE).

Application of Tectite SPRINT, CLASSIC, PRO, 316:

Domestic and commercial not directly buried installations inside or outside of buildings, for assembling of distribution systems transporting water (including potable water pursuant to Decree 409/2005 Coll.), heating water, pressure air and other non-corrosive fluids.

Application of Tectite ADVANCE:

Domestic and commercial not directly buried installations inside or outside of buildings, for assembling of distribution systems transporting water not intended for human consumption, heating water, pressure air and other non-corrosive fluids.

Operating pressures and temperatures:

Fittings	Tubes	Temperature			
		-24°C	30°C	65°C	95°C
Tectite CLASSIC	Copper	16 bar	16 bar	10 bar	6 bar
Tectite CLASSIC	PB or PEX	12 bar	12 bar	6 bar	3 bar
Tectite SPRINT	Copper	20 bar	20 bar	16 bar	10 bar
Tectite SPRINT	PB or PEX	12 bar	12 bar	6 bar	3 bar
Tectite PRO up to 28 mm	Copper	20 bar	20 bar	16 bar	10 bar
Tectite PRO over 35 mm	Copper	16 bar	16 bar	10 bar	6 bar
Tectite 316 up to 28 mm	Stainless steel	20 bar	20 bar	16 bar	10 bar
Tectite 316 over 35 mm	Stainless steel	16 bar	16 bar	10 bar	6 bar
Tectite ADVANCE	Carbon steel	20 bar	20 bar	16 bar	10 bar
Tectite ADVANCE	Plastic coated carbon steel	20 bar	20 bar	16 bar	10 bar

Threads as per ČSN EN 10226-1:2005 (ČSN ISO 7-1:1996) or ČSN EN ISO 228-1:2003, according to the joint type.

Cap nut threads as per ČSN EN ISO 228-1:2003, fitting ends for flat seals.

Specification of versions:

Type	Description	Size
Tectite SPRINT		
TT1	Straight coupling	10+28
TT1R	Reducing coupling	15+22x10+18
TT2	Straight female connector	10+28x1/2"+1"
TT3	Straight male connector	10+28x1/2"+1"
TT5	Tank connector	15x1/2", 22x3/4"
TT6	Reducer	15+28x10+22

STO-30-00427-11-Decision, page 2 (5)

Strojírenský zkušební ústav, s.p., Hudcova 56b, 621 00 Brno, Česká republika
Engineering Test Institute, public enterprise, Hudcova 56b, 621 00 Brno, Czech Republic

www.szutest.cz



Type	Description	Size
TT12	Elbow	10+28
TT12S	Street elbow	10+22x10+22
TT13	Male elbow	15x1/2"
TT14	Female elbow	14+16x1/2"
TT15	Backplate elbow	12+15x1/2"
TT21	Obtuse elbow	12+28
TT21S	Obtuse street elbow	12+28
TT24	Equal tee	10+28
TT25	Tee, reduced branch	14+28x14+28x12+22
TT26	Tee, one end reduced	15+28x12+22x15+28
TT27	Tee, one end and branch reduced	16+28x14+22x14+22
TT61	Stop end	10+28
TT62	Tap connector	10+22x1/2"+3/4"
TT63	Bent tap connector	10+18x1/2"
Tectite CLASSIC		
T1	Straight coupling	10+28
T1R	Reducing coupling	12+28x10+22
T2	Straight female connector	10+28x3/8"+1"
T3	Tapered male connector	10+28x3/8"+1"
T3P	Straight male connector	12+28x3/8"+1"
T5	Tank connector	15x1/2", 22x1/2", 28x1"
T6	Reducer	12+28x10+22
T12	Elbow	10+28
T12S	Street elbow	10+28
T13	Male elbow	10+28x3/8"+1"
T14	Female elbow	10+28x3/8"+1"
T15	Backplate elbow	10+22x1/2"+3/4"
T21	Obtuse elbow	12+28
T21S	Obtuse street elbow	12+28
T24	Equal tee	10+28
T25	Tee, reduced branch	12+28x12+28x10+22
T26	Tee, one end reduced	15+28x10+22x15+28
T27	Tee, one end and branch reduced	15+28x10+22x10+22
T30	Female branch tee	12+22x12+22x1/2"+3/4"
T61	Stop end	10+28
T62	Tap connector	10+22x1/2"+3/4"
T62S	Tap connector	15+22x1/2"+3/4"
T63	Bent tap connector	10+22x1/2"+3/4"
T68FF	Flat faced union adaptor	15x3/4"
Tectite PRO		
TX1	Straight coupling	15+54
TX1	Slip straight coupling, slip pattern	15+54
TX2	Straight female connector	15+54x1/2"+2"
TX3	Tapered male connector	15+54x1/2"+2"
TX3P	Straight male connector	15+28x1/2"+1"
TX6	Reducer	22+54x15+42
TX12	Elbow	15+54





Type	Description	Size
TX12S	Street elbow	15+28
TX13	Male elbow	15+28x1/2"+1"
TX14	Female elbow	15+28x1/2"+1"
TX15	Backplate elbow	15x1/2"
TX21	Obtuse elbow	15+54
TX21S	Obtuse street elbow	15+54
TX24	Equal tee	15+54
TX25	Tee, reduced branch	22+54x22+54x15+35
TX26	Tee, one end reduced	22+28x15+22x22+28
TX27	Tee, one end and branch reduced	22x15x15, 28x22x22
TX30	Female branch tee	15+42x15+42x1/2"
TX61	Stop end	15+54
TX62	Tap connector	15+22x1/2"+3/4"
TX63	Bent tap connector	15+22x1/2"+3/4"
TX68FF	Flat faced union adaptor	15x3/4"
TX68S	Cylinder union	22x1"
Tectite 316		
TS1	Straight coupling	15+54
TS2	Straight female connector	15+54x1/2"+2"
TS3	Tapered male connector	15+54x1/2"+2"
TS6	Reducer	18+54x15+42
TS12	Elbow	15+54
TS12S	Street elbow	15+28
TS13	Male elbow	15+28x1/2"+1"
TS14	Female elbow	15+28x1/2"+1"
TS15	Backplate elbow	15x1/2", 18x1/2", 22x3/4"
TS21	Obtuse elbow	15+54
TS21S	Obtuse street elbow	15+54
TS24	Equal tee	15+54
TS25	Tee, reduced branch	18+54x18+54x15+42
TS30	Female branch tee	15+42x15+42x1/2"
TS61	Stop end	15+54
TS62	Tap connector	15+22x1/2"+3/4"
Tectite ADVANCE		
TA1	Straight coupling	15+54
TA2	Straight female connector	15+28x1/2"+1"
TA3	Tapered male connector	15+54x1/2"+2"
TA6	Reducer	18+54x15+42
TA12	Elbow	15+54
TA12S	Street elbow	15+54
TA21	Obtuse elbow	15+54
TA21S	Obtuse street elbow	15+54
TA24	Equal tee	15+54
TA25	Tee, reduced branch	18+54x18+54x15+42
TA30	Female branch tee	15+54x15+54x1/2"
TA61	Stop end	15+54
TA69	Straight male union connector	15+54x1/2"+2"

STO-30-00427-11-Decision, page 4 (5)

Strojírenský zkušební ústav, s.p., Hudcova 56b, 621 00 Brno, Česká republika
Engineering Test Institute, public enterprise, Hudcova 56b, 621 00 Brno, Czech Republic

www.szutest.cz



RULES FOR USING THE DECISION:

This Decision shall only be used in conjunction with Construction Technical Certificate STO-30-00427-11 of 2011-05-09.

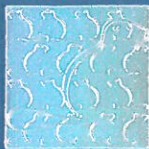
Unauthorised or deceptive use of the Decision may result in its withdrawal.

It is prohibited to change, amend or overwrite the data contained in the Decision.

This Decision may not be used for the products changed without the consent of the Engineering Test Institute, Public Enterprise, in such a way that conformity with the Construction Technical Certificate has been affected.

The Construction Technical Certificate and the Decision on its validity period extension cannot be used as documents of conformity assessment.





Product certificate K12080/09

Issued 2015-03-15

Replaces K12080/08

Page 1 of 14

Tectite Push-fit fittings

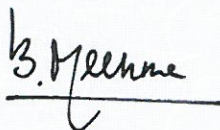
STATEMENT BY KIWA

With this product certificate, issued in accordance with the Kiwa Regulations for Product Certification, Kiwa declares that legitimate confidence exists that the products supplied by

Pegler Yorkshire Group Ltd.

as specified in this product certificate and marked with the Kiwa®-mark in the manner as indicated in this product certificate may, on delivery, be relied upon to comply with

Kiwa evaluation guideline BRL-K640/04: "Fittings to be tightened with matching compression tool, compression- and push fit fittings as part of appliances and installations".



Bouke Meekma
Kiwa

Publication of the certificate is allowed.

Advice: consult www.kiwa.nl in order to ensure that this certificate is still valid.

Kiwa Nederland B.V.

Sir Winston Churchilllaan 273
P.O. Box 70
2280 AB RIJSWIJK
The Netherlands

Tel. +31 70 414 44 00

Fax +31 70 414 44 20

info@kiwa.nl

www.kiwa.nl



287130829

Supplier

Pegler Yorkshire Group Ltd.
St. Catherines Avenue
DONCASTER DN4 8DF
United Kingdom of Great Britain
Tel. +44 844 243 4400
Fax +44 844 243 9870
www.peglyorkshire.co.uk

Certification process
consists of initial and
regular assessment of:

- quality system
- product

Tectite Push-fit fittings

PRODUCT SPECIFICATION

The products mentioned below belong to this certificate.

Tectite Sprint Series

TT1 Straight coupling

Art. no.	Size
75500	10mm
75501	15mm
75502	22mm
75503	28mm

TT2 Straight female connector

Art. no.	Size
75510	15mm x 1/2"
75511	22mm x 3/4"

TT21 Obtuse elbow

Art. no.	Size
75701	12mm
75702	14mm
75551	15mm
75703	16mm
75704	18mm
75552	22mm
75553	28mm

TT5 Tank connector

Art. no.	Size
75520	15mm x 1/2"
75521	22mm x 3/4"

TT12 Elbow

Art. no.	Size
75530	10mm
75531	15mm
75532	22mm
75533	28mm

TT13 Male elbow

Art. no.	Size
75540	15mm x 1/2"

TT15 Backplate elbow

Art. no.	Size
75550	15mm x 1/2"

TT26 Tee, one end reduced

Art. no.	Size
75582	22 x 15 x 15mm
75584	28 x 22 x 22mm

TT25 Tee, reduced branch

Art. no.	Size
75565	15 x 15 x 10mm
75566	22 x 22 x 10mm
75567	22 x 22 x 15mm
75568	28 x 28 x 15mm
75569	28 x 28 x 22mm

TT1R Reducing coupling

Art. no.	Size
75504	5 x 10mm
75505	22 x 15mm

TT3 Straight male connector

Art. no.	Size
75515	15mm x 1/2"
75516	22mm x 3/4"
75518	28mm x 1"

TT21S Obtuse street elbow

Art. no.	Size
75705	12mm
75706	14mm
75585	15mm
75707	16mm
75708	18mm
75586	22mm
75587	28mm

TT6 Reducer

Art. no.	Size
75523	15 x 10mm
75525	22 x 15mm
75526	28 x 15mm
75527	28 x 22mm

TT12S Street elbow

Art. no.	Size
75535	10mm
75536	10 x 15mm
75537	15mm
75538	22mm

TT14 Female elbow

Art. no.	Size
75545	15mm x 1/2"

TT24 Equal tee

Art. no.	Size
75555	10mm
75556	15mm
75557	22mm
75558	28mm

TT26 Tee, one end reduced

Art. no.	Size
75573	22 x 15 x 22mm
75574	28 x 15 x 28mm
75575	28 x 22 x 28mm

Tectite Push-fit fittings

Tectite Sprint series (continued)

TT62 Tap connector

Art. no.	Size
75600	10mm x 1/2"
75601	15mm x 1/2"
75603	22mm x 3/4"

TT61 Stop end

Art. no.	Size
75590	10mm
75591	15mm
75592	22mm
75593	28mm

TT63 Bent tap connector

Art. no.	Size
75604	10mm x 1/2"
75605	15mm x 1/2"

Tectite Push-fit fittings

Tactite Pro Series

TX1 Straight coupling

Art. no.	Size
65114	15mm
65121	22mm
65123	28mm
65126	35mm
65128	42mm
65130	54mm

TX1 Slip straight coupling, slip pattern

Art. no.	Size
65141	15mm
65143	22mm
65144	28mm
65145	35mm
65146	42mm
65147	54mm

TX2 Straight female connector

Art. no.	Size
65206	15mm x ½"
65222	22mm x ¾"
65223	22mm x 1"
65225	28mm x 1"
45230	35mm x 1¾"
45232	42mm x 1½"
45234	54mm x 2"

TX3 Tapered male connector

Art. no.	Size
65267	15mm x ½"
65292	22mm x ¾"
65294	22mm x 1"
65296	28mm x 1"
45310	35mm x 1¼"
45312	42mm x 1½"
45314	54mm x 2"

TX3P Straight male connector

Art. no.	Size
65358	15mm x ½"
65366	22mm x ¾"
65368	22mm x 1"
65370	28mm x 1"

TX6 Reducer

Art. no.	Size
65426	22 x 15mm
65435	28 x 15mm
65438	28 x 22mm
45450	35 x 15mm
45452	35 x 22mm
45454	35 x 28mm
45456	42 x 15mm
45458	42 x 22mm
45460	42 x 28mm
45462	42 x 35mm
45464	54 x 15mm
45466	54 x 22mm
45468	54 x 28mm
45470	54 x 35mm
45472	54 x 42mm

TX12 Elbow*

Art. no.	Size
65516	15mm
65524	22mm
65526	28mm
45530	35mm
45532	42mm
45334	54mm

TX13 Male elbow

Art. no.	Size
65561	15mm x ½"
65576	22mm x ¾"
65578	28mm x 1"

TX15 Backplate elbow

Art. no.	Size
65646	15mm x ½"

TX21S Obtuse street elbow

Art. no.	Size
65542	15mm
65545	22mm
65546	28mm
45547	35mm
45548	42mm
45549	54mm

TX12S Street elbow

Art. no.	Size
65496	15mm
65500	22mm
65502	28mm

TX14 Female elbow

Art. no.	Size
65606	15mm x ½"
65620	22mm x ¾"
65622	28mm x 1"

TX21 Obtuse elbow

Art. no.	Size
65535	15mm
65538	22mm
65539	28mm
45540	35mm
45541	42mm
45558	54mm

Tectite Push-fit fittings

Tectite Pro series (continued)

TX27 Tee, one end branch reduced

Art. no.	Size
65820	22 x 15 x 15mm
65822	28 x 22 x 22mm

TX24 Equal tee

Art. no.	Size
65666	15mm
65676	22mm
65680	28mm
45680	35mm
45682	42mm
45684	54mm

TX25 Tee, reduced branch

Art. no.	Size
65737	22 x 22 x 15mm
65744	28 x 28 x 15mm
65746	28 x 28 x 22mm
45750	35 x 35 x 15mm
45752	35 x 35 x 22mm
45753	35 x 35 x 28mm
45754	42 x 42 x 15mm
45756	42 x 42 x 22mm
45758	42 x 42 x 28mm
45760	54 x 54 x 15mm
45762	54 x 54 x 22mm
45764	54 x 54 x 28mm
45765	54 x 54 x 35mm

TX26 Tee, one end reduced

Art. no.	Size
65786	22 x 15 x 22mm
65790	28 x 15 x 28mm
65793	28 x 22 x 28mm

TX30 Female branch tee

Art. no.	Size
65840	15 x 15 x 1/2"
65845	22 x 22 x 1/2"
65848	35 x 35 x 1/2"
65850	42 x 42 x 1/2"

TX61 Stop end

Art. no.	Size
65866	15mm
65874	22mm
65876	28mm
65878	35mm
65880	42mm
65882	54mm

TX68S Cylinder union

Art. no.	Size
65930	22mm x 1"

TX68FF Flat faced union adaptor

Art. no.	Size
65759	15mm x 3/4"

TX62 Tap connector

Art. no.	Size
65902	15mm x 1/2"
65171	15mm x 3/4"
65903	22mm x 3/4"

TX63 Bent tap connector

Art. no.	Size
65922	15mm x 1/2"
65924	22mm x 3/4"

Tectite Push-fit fittings

Tectite Classic series

T1 Straight coupling

Art. no.	Size
45108	10mm
45110	12mm
45112	14mm
45114	15mm
45116	16mm
45118	18mm
45120	20mm
45121	22mm
45123	28mm

T1R Reducing coupling

Art. no.	Size
45155	12 x 10mm
45157	14 x 12mm
45159	15 x 10mm
45161	15 x 12mm
45163	16 x 12mm
45165	16 x 14mm
45167	18 x 15mm
45168	20 x 18mm
45170	22 x 10mm
45172	22 x 15mm
45174	22 x 18mm
45178	28 x 22mm

T2 Straight female connector

Art. no.	Size
45190	10mm x 3/8"
45192	10mm x 1/2"
45194	12mm x 3/8"
45196	12mm x 1/2"
45200	14mm x 3/8"
45202	14mm x 1/2"
45204	15mm x 3/8"
45206	15mm x 1/2"
45208	15mm x 3/4"
45210	18mm x 1/2"
45212	18mm x 3/4"
45220	22mm x 1/2"
45222	22mm x 3/4"
45223	22mm x 1"
45224	28mm x 3/4"
45225	28mm x 1"

T3 Tapered male connector

Art. no.	Size
45250	10mm x 3/8"
45252	10mm x 1/2"
45254	12mm x 3/8"
45256	12mm x 1/2"
45265	15mm x 3/8"
45267	15mm x 1/2"
45286	18mm x 1/2"
45288	18mm x 3/4"
45290	22mm x 1/2"
45292	22mm x 3/4"
45294	22mm x 1"
45296	28mm x 1"

T3P Straight male connector

Art. no.	Size
45350	12mm x 3/8"
45354	14mm x 3/8"
45356	14mm x 1/2"
45358	15mm x 1/2"
45360	15mm x 3/4"
45362	16mm x 1/2"
45364	22mm x 1/2"
45366	22mm x 3/4"
45368	22mm x 1"
45370	28mm x 1"

T5 Tank connector

Art. no.	Size
45390	15mm x 1/2"
45394	22mm x 1/2"
45396	28mm x 1"

T12 Elbow

Art. no.	Size
45510	10mm
45512	12mm
45514	14mm
45516	15mm
45518	16mm
45520	18mm
45522	20mm
45524	22mm
45526	28mm

Tectite Push-fit fittings

Tectite Classic series (continued)

T12S Street elbow

Art. no.	Size
45490	10mm
45492	12mm
45494	10 x 15mm
45496	15mm
45498	18mm
45500	22mm
45502	28mm

T13 Male elbow

Art. no.	Size
45550	10mm x 3/8"
45552	10mm x 1/2"
45554	12mm x 3/8"
45556	12mm x 1/2"
45560	14mm x 1/2"
45561	15mm x 1/2"
45563	16mm x 1/2"
45564	16mm x 3/4"
45569	18mm x 1/2"
45570	18mm x 3/4"
45576	22mm x 3/4"
45578	28mm x 1"

T21 Obtuse elbow

Art. no.	Size
45531	12mm
45533	14mm
45535	15mm
45536	16mm
45537	18mm
45538	22mm
45539	28mm

T24 Equal tee

Art. no.	Size
45660	10mm
45662	12mm
45664	14mm
45666	15mm
45668	16mm
45670	18mm
45674	20mm
45676	22mm
45678	28mm

T6 Reducer

Art. no.	Size
45410	12 x 10mm
45414	14 x 12mm
45416	15 x 10mm
45418	15 x 12mm
45420	16 x 12mm
45421	16 x 14mm
45423	18 x 12mm
45424	18 x 15mm
45425	22 x 12mm
45426	22 x 15mm
45430	22 x 18mm
45435	28 x 15mm
45437	28 x 18mm
45438	28 x 22mm

T15 Backplate elbow

Art. no.	Size
45630	10mm x 1/2"
45638	12mm x 1/2"
45640	14mm x 1/2"
45646	15mm x 1/2"
45648	16mm x 1/2"
45650	18mm x 1/2"
45652	18mm x 3/4"
45654	22mm x 3/4"

T21S Obtuse street elbow

Art. no.	Size
45528	12mm
45529	14mm
45542	15mm
45543	16mm
45544	18mm
45545	22mm
45546	28mm

T25 Tee, reduced branch

Art. no.	Size
45700	12 x 12 x 10mm
45710	14 x 14 x 12mm
45715	15 x 15 x 10mm
45717	15 x 15 x 12mm
45719	16 x 16 x 12mm
45722	16 x 16 x 14mm
45724	18 x 18 x 14mm
45726	20 x 20 x 16mm
45730	22 x 22 x 10mm
45736	22 x 22 x 14mm
45737	22 x 22 x 15mm
45739	22 x 22 x 16mm
45742	22 x 22 x 18mm
45744	28 x 28 x 15mm
45745	28 x 28 x 18mm
45746	28 x 28 x 22mm

Tectite Push-fit fittings

Tectite Classic series (continued)

T26 Tee, one end reduced

Art. no.	Size
45780	15 x 10 x 15mm
45786	22 x 15 x 22mm
45788	22 x 18 x 22mm
45790	28 x 15 x 28mm
45792	28 x 18 x 28mm
45793	28 x 22 x 28mm

T30 Female branch tee

Art. no.	Size
45823	12 x 12mm x ½"
45840	15 x 15mm x ½"
45825	16 x 16mm x ½"
45845	22 x 22mm x ½"
45846	22 x 22mm x ¾"

T14 Female elbow

Art. no.	Size
45590	10mm x 3/8 "
45592	10mm x ½"
45594	12mm x 3/8"
45596	12mm x ½"
45600	14mm x ½"
45606	15mm x ½"
45608	16mm x ½"
45609	16mm x ¾"
45614	18mm x ½"
45615	18mm x ¾"
45620	22mm x ¾"
45622	28mm x 1"

T62S Tap connector

Art. no.	Size
45910	15mm x ½"
45912	15mm x ¾"
45914	22mm x ¾"

T68FF Flat faced union adaptor*

Art. no.	Size
4075	15mm x ¾"

TM81 Manifold

Art. no.	Size
45942	22 x 22 x 10 x 10mm

T27 Tee, one end and branch reduced

Art. no.	Size
45810	15 x 10 x 10mm
45812	15 x 12 x 12mm
45815	16 x 14 x 14mm
45819	22 x 18 x 18mm
45820	22 x 15 x 15mm
45821	28 x 18 x 18mm
45822	28 x 22 x 22mm

T61 Stop end

Art. no.	Size
45860	10mm
45862	12mm
45864	14mm
45866	15mm
45868	16mm
45870	18mm
45872	20mm
45874	22mm
45876	28mm

T62 Tap connector

Art. no.	Size
45900	10mm x ½"
45902	15mm x ½"
45171	15mm x ¾"
45903	22mm x ¾"

T63 Bent tap connector

Art. no.	Size
45920	10mm x ½"
45922	15mm x ½"
45924	22mm x ¾"

TM80 Manifold*

Art. no.	Size
45940	22 x 22 x 10mm

Tectite Push-fit fittings

Tectite 316 SS series* (stainless steel)

TS1 Straight coupling

Art. no.	Size
25114	15mm
25118	18mm
25121	22mm
25123	28mm
25126	35mm
25128	42mm
25130	54mm

TS2 Straight female connector

Art. no.	Size
25206	15mm x ½"
25210	18mm x ½"
25212	18mm x ¾"
25220	22mm x ½"
25222	22mm x ¾"
25225	28mm x 1"
25230	35mm x 1¼"
25232	42mm x 1½"
25234	54mm x 2"

TS3 Tapered male connector

Art. no.	Size
25267	15mm x ½"
25286	18mm x ½"
25288	18mm x ¾"
25292	22mm x ¾"
25296	28mm x 1"
25310	35mm x 1¼"
25312	42mm x 1½"
25314	54mm x 2"

TS6 Reducer

Art. no.	Size
25424	18 x 15mm
25426	22 x 15mm
25430	22 x 18mm
25435	28 x 15mm
25437	28 x 18mm
25438	28 x 22mm
25452	35 x 22mm
25454	35 x 28mm
25458	42 x 22mm
25460	42 x 28mm
25462	42 x 35mm
25470	54 x 35mm
25472	54 x 42mm

TS12 Elbow

Art. no.	Size
25516	15mm
25520	18mm
25524	22mm
25528	28mm
25530	35mm
25532	42mm
25334	54mm

TS12S Street elbow

Art. no.	Size
25496	15mm
25498	18mm
25500	22mm
25502	28mm

TS13 Male elbow

Art. no.	Size
25561	15mm x ½"
25569	18mm x ½"
25576	22mm x ¾"
25578	28mm x 1"

TS14 Female elbow

Art. no.	Size
25606	15mm x ½"
25614	18mm x ½"
25615	18mm x ¾"
25620	22mm x ¾"
25622	28mm x 1"

TS15 Back plate elbow

Art. no.	Size
25646	15mm x ½"
25650	18mm x ½"
25654	22mm x ¾"

TS21 Obtuse elbow

Art. no.	Size
26043	15mm
26045	18mm
26047	22mm
26048	28mm
26049	35mm
26050	42mm
26051	54mm

Tectite Push-fit fittings

Tectite 316 SS series (continued)

TS12S Obtuse street elbow

Art. no.	Size
26063	15mm
26065	18mm
26067	22mm
26068	28mm
26069	35mm
26010	42mm
26071	54mm

TS24 Equal tee

Art. no.	Size
25666	15mm
25670	18mm
25676	22mm
25678	28mm
25680	35mm
25682	42mm
25684	54mm

TS25 Tee, reduced branch

Art. no.	Size
25725	18 x 18 x 15mm
25737	22 x 22 x 15mm
25742	22 x 22 x 18mm
25744	28 x 28 x 15mm
25745	28 x 28 x 18mm
25746	28 x 28 x 22mm
25750	35 x 35 x 15mm
25752	35 x 35 x 22mm
25753	35 x 35 x 28mm
25756	42 x 42 x 22mm
25758	42 x 42 x 28mm
25762	54 x 54 x 22mm
25764	54 x 54 x 28mm
25765	54 x 54 x 35mm
25766	54 x 54 x 42mm

TS30 Female branch tee

Art. no.	Size
25840	15 x 15mm x 1/2"
25843	18 x 18mm x 1/2"
25845	22 x 22mm x 1/2"
25846	22 x 22mm x 3/4"
25847	28 x 28mm x 1/2"
25848	35 x 35mm x 1/2"
25850	42 x 42mm x 1/2"

TS61 Stop end

Art. no.	Size
25866	15mm
25870	18mm
25874	22mm
25876	28mm
25878	35mm
25880	42mm
25882	54mm

TS62 Tap connector

Art. no.	Size
25902	15mm x 1/2"
25903	22mm x 3/4"

Tectite Push-fit fittings

TS1 Straight coupling

Art. no.	Size
25114	15mm
25118	18mm
25121	22mm
25123	28mm
25126	35mm
25128	42mm
25130	54mm

TS2 Straight female connector

Art. no.	Size
25206	15mm x 1/2"
25210	18mm x 1/2"
25212	18mm x 3/4"
25220	22mm x 1/2"
25222	22mm x 3/4"
25225	28mm x 1"
25230	35mm x 1 1/4"
25232	42mm x 1 1/2"
25234	54mm x 2"

TS3 Tapered male connector

Art. no.	Size
25267	15mm x 1/2"
25286	18mm x 1/2"
25288	18mm x 3/4"
25292	22mm x 3/4"
25296	28mm x 1"
25310	35mm x 1 1/4"
25312	42mm x 1 1/2"
25314	54mm x 2"

TS6 Reducer

Art. no.	Size
25424	18 x 15mm
25426	22 x 15mm
25430	22 x 18mm
25435	28 x 15mm
25437	28 x 18mm
25438	28 x 22mm
25452	35 x 22mm
25454	35 x 28mm
25458	42 x 22mm
25460	42 x 28mm
25462	42 x 35mm
25470	54 x 35mm
25472	54 x 42mm

TS12 Elbow

Art. no.	Size
25516	15mm
25520	18mm
25524	22mm
25528	28mm
25530	35mm
25532	42mm
25334	54mm

TS12S Street elbow

Art. no.	Size
25496	15mm
25498	18mm
25500	22mm
25502	28mm

TS13 Male elbow

Art. no.	Size
25561	15mm x 1/2"
25569	18mm x 1/2"
25576	22mm x 3/4"
25578	28mm x 1"

TS14 Female elbow

Art. no.	Size
25606	15mm x 1/2"
25614	18mm x 1/2"
25615	18mm x 3/4"
25620	22mm x 3/4"
25622	28mm x 1"

TS15 Back plate elbow

Art. no.	Size
25646	15mm x 1/2"
25650	18mm x 1/2"
25654	22mm x 3/4"

TS21 Obtuse elbow

Art. no.	Size
26043	15mm
26045	18mm
26047	22mm
26048	28mm
26049	35mm
26050	42mm
26051	54mm

Tectite Push-fit fittings

Tectite 316 SS series (continued)

TS12S Obtuse street elbow

Art. no.	Size
26063	15mm
26065	18mm
26067	22mm
26068	28mm
26069	35mm
26010	42mm
26071	54mm

TS24 Equal tee

Art. no.	Size
25666	15mm
25670	18mm
25676	22mm
25678	28mm
25680	35mm
25682	42mm
25684	54mm

TS25 Tee, reduced branch

Art. no.	Size
25725	18 x 18 x 15mm
25737	22 x 22 x 15mm
25742	22 x 22 x 18mm
25744	28 x 28 x 15mm
25745	28 x 28 x 18mm
25746	28 x 28 x 22mm
25750	35 x 35 x 15mm
25752	35 x 35 x 22mm
25753	35 x 35 x 28mm
25756	42 x 42 x 22mm
25758	42 x 42 x 28mm
25762	54 x 54 x 22mm
25764	54 x 54 x 28mm
25765	54 x 54 x 35mm
25766	54 x 54 x 42mm

TS30 Female branch tee

Art. no.	Size
25840	15 x 15mm x 1/2"
25843	18 x 18mm x 1/2"
25845	22 x 22mm x 1/2"
25846	22 x 22mm x 3/4"
25847	28 x 28mm x 1/2"
25848	35 x 35mm x 1/2"
25850	42 x 42mm x 1/2"

TS61 Stop end

Art. no.	Size
25866	15mm
25870	18mm
25874	22mm
25876	28mm
25878	35mm
25880	42mm
25882	54mm

TS62 Tap connector

Art. no.	Size
25902	15mm x 1/2"
25903	22mm x 3/4"

Tectite Push-fit fittings

Tectite 2013 series

T1/T270 Coupling

Art. no.	Size
45114	15 mm
45121	22 mm

T25/T130 Tee

Art. no.	Size
45737	22 x 22 x 15 mm / 22 x 15 x 22 mm

T3P Male Coupling

Art. no.	Size
45358	15 mm x ½

T26/T130 Tee

Art. no.	Size
45786	22 x 15 x 22 mm / 22 x 22 x 15 mm

T6/T243 Reducer

Art. no.	Size
45426	22 x 15 mm

T27/T130 Tee Reduced End Branch

Art. no.	Size
45820	22 x 15 x 15 mm

T12/T090 Elbow

Art. no.	Size
45516	15 mm
45524	22 mm

T61/T301 Stop end

Art. no.	Size
45866	15 mm
45874	22 mm

T12S/T092 Street Elbow

Art. no.	Size
45496	15 mm
45500	22 mm

T62/T062 Tap Connector

Art. no.	Size
45902	15 mm x ½ St
45171	15 mm x ¾ St
45903	22 mm x ¾

T24/T130 Equal Tee


Art. no.	Size
45666	15 mm
45676	22 mm

GODKENDELSESINDEHAVER:
Pegler Yorkshire Ltd.
St. Catherines Avenue
GB-DN4 8DF Doncaster
Telefon +44 113 2701104
Telefax: +44 113 2725291
Internet: pegleryorkshire.co.uk

Dokumentation af mekaniske/fysiske karakteristika for:
Stikfittings til kobberør og PEX-rør
TECTITE CLASSIC og TECTITE 316
dim. 10 – 28 mm

FABRIKAT:
Pegler Yorkshire Limited, England

MÆRKNING:

- Fabrikantmærke: TECTITE
- Dimension
- Godkendelsesnummer
- Godkendelsesmærke: 

KVALITETSKONTROL:

Godkendelsesindehaver opretholder
Obligatorisk kontrolaftale med
Teknologisk Institut, Aarhus.

Der er med denne godkendelse alene taget stilling til Bygningsreglementets krav om dokumentation af de mekaniske/fysiske karakteristika jf. § 8.4.1, stk. 5.

Godkendelsesindehaver er pligtig til, jf. Bygningsreglementets krav jf. § 8.2.4.2, stk. 2, at byggevaren er godkendt af Energistyrelsen, ifølge bekendtgørelse om udstedelse af godkendelser for byggevarer i kontakt med drikkevand.

BETINGELSER FOR MONTERING OG BRUG:

Højeste forekommende driftstryk i installationen må ikke overstige 1000 kPa.

For rør i bygning skal samlingerne være udskiftelige og anbragt, så de er fritliggende, eller monteret i udsparinger eller foringsrør på en måde, så eventuelle utætheder umiddelbart kan konstateres.

TECTITE stikfittings anvendes i brugsvandsinstallationer til samling af hårde og bløde kobberør i dimensionerne 10 – 28 mm samt PEX-rør i dimensionerne 12 – 28 mm.

Ved samling af bløde kobberør og PEX-rør skal den til koblingen hørende støttebøsning anvendes.

Samlingen udføres i øvrigt i overensstemmelse med godkendelsesindehaverens monteringsvejledning.

BESKRIVELSE OG TEKNISKE DATA:

Udførelse	Koblingen består af 6 dele, koblingshus, tætningsring, støtte, låsering og udløserring. Låseringen er konisk og radielt opslidset, så der dannes tænder mod centrum. Efter indstikning af kobberøret fastholdes dette af låseringens tænder. Samlingen kan demonteres ved at presse udløserringen ind i koblingen, hvorved låseringens tænder frigøres.
Materiale	Koblings hus er af afzinkningsbestandigt messing, rustfrit stål (AISI 316) eller rødgoods, låsering er af stål, tætningsring er af EPDM-gummi, støtte og udløserring er af plast.
Dimension	Hårde og bløde kobberør: 10 – 28 mm Forkromede kobberør: 10 – 15 mm PEX-rør: 12 – 28 mm


Thomas Bruun