

AUTOMATIC AIR VENT

EA122

FEATURES

- Integral stop valve. Enables seat to be cleaned without draining the system

- Vacuum break ensures air collection

- Simple service and cleaning

- $\frac{1}{8}$ " and $\frac{3}{8}$ " BSP connections

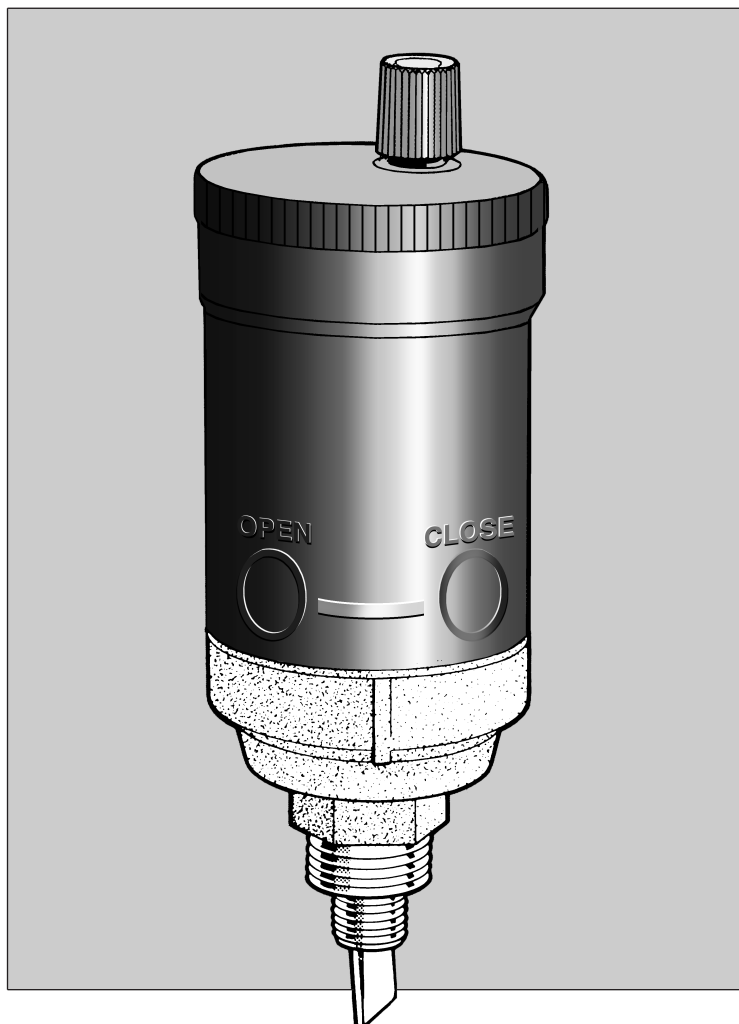
- Expanding disc under cap helps prevent leaks due to dirt under seat

- $\frac{1}{8}$ " to $\frac{1}{2}$ " adaptor

ACCESSORY

- Q122A

Facilitates waste connection to air vent



APPLICATION

The Automatic Air Vent EA122 is suitable for heating systems and other closed circuit hot water systems (not potable water) which require the efficient, automatic removal of air when a system is filling with water.

The vacuum break on the bottom of the valve prevents an air lock forming and encourages air to be released from water. The air vent can be fitted anywhere in the positive pressure side of the system where air is likely to be trapped.

Air vents should always be fitted in an accessible area, which can be seen and serviced easily.

NON-ELECTRIC CONTROLS

Honeywell

■ Installation

The **EA122** should be installed at any point on the positive side of a system where air collects. To ensure efficient operation when installed on a horizontal pipe run, a short upstand should be provided.

The body can be twisted against the brass base and the integral stop valve will shut off the water flow. This enables the cover valve and float to be removed for inspection and cleaning.

■ Leakage Guard

Sometimes system dirt can get under the seat of an automatic air vent causing a leak. The **EA122** is fitted with a red cap which has fibrous discs that expand on contact with water, preventing leaks and possible water damage.

Note: After initial venting, the red cap should be screwed down tight.

The vent outlet must be installed in an easily accessible position, if not the red cap should be discarded and a waste pipe connected. The **Q122A** waste connector enables 6mm pipe to be securely connected to the air vent.

■ Ordering Specification

EA122 - AB

Automatic air vent with $\frac{1}{8}$ " and $\frac{3}{8}$ " BSP connections and $\frac{1}{2}$ " adaptor

Q122A1001

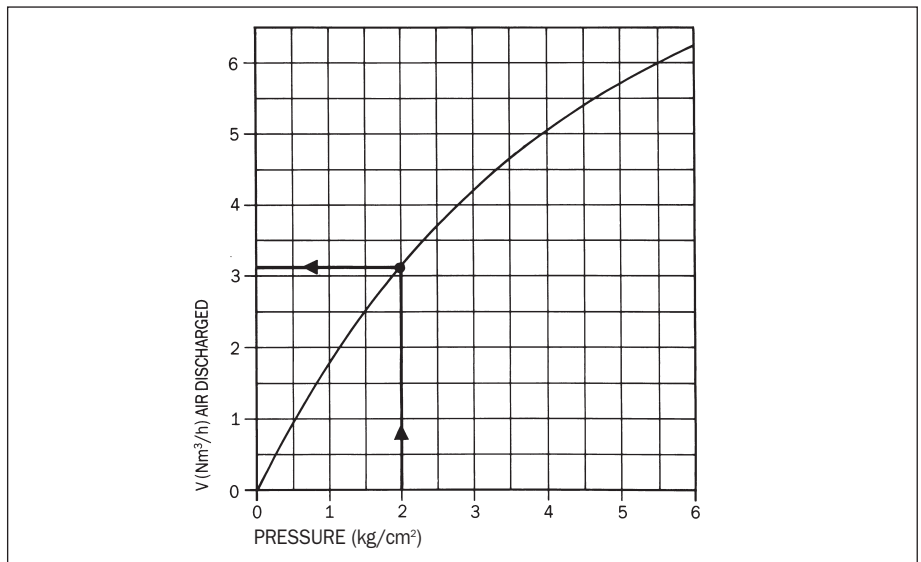
Female iron fitting, to facilitate outlet connection to a waste pipe.
Size: M8 – 6mm compression

■ Specification

Maximum Working Pressure	: 6 bar
Max. Working Temperature	: 110°C
Inlet Thread Connections	: $\frac{1}{8}$ " , $\frac{3}{8}$ "
Outlet Thread Connection	: M8

■ Capacity chart

Example given below is 3.1 Nm³/h air discharged when system pressure is 2 bars



■ Dimensions (mm)

