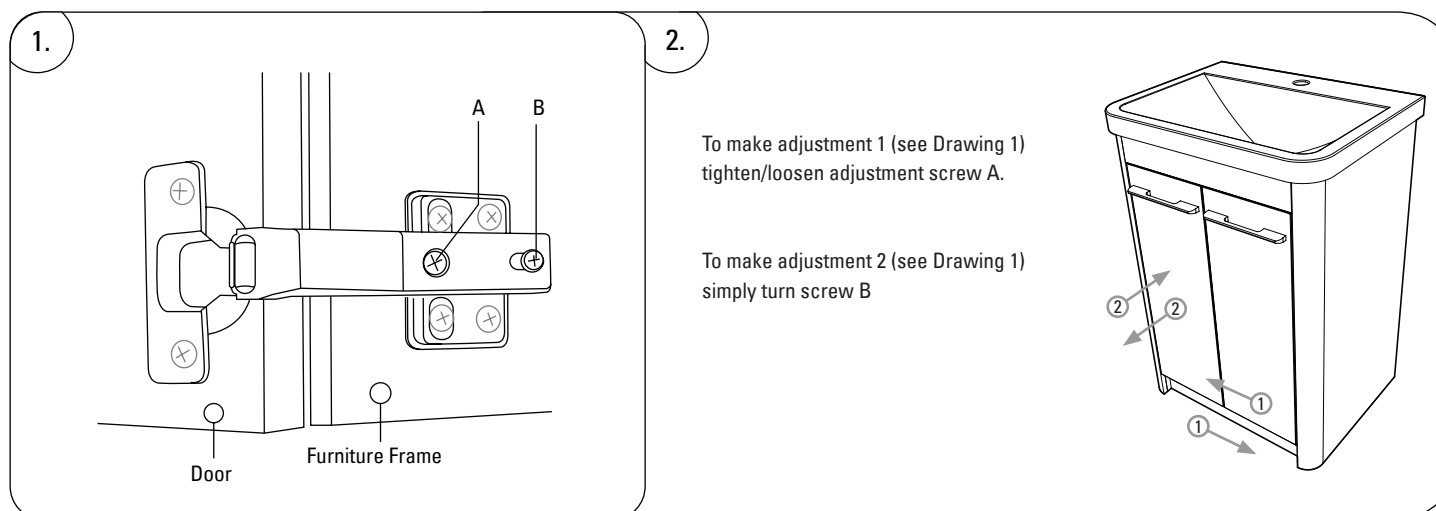


Hinge Adjustment

Hinges may require adjustment for correct door alignment. This is achieved with the adjustable soft close hinges using the adjustment screws A and B (see Drawing 3).



Fitting Ceramic Basin

Once the basin has been plumbed in finish by securing to the washstand using a silicone sealant (not supplied).

Furniture Aftercare Instructions

As with all wooden furniture, this product should be treated with care.

We recommend...

Wipe away any water splashes or condensation after use. Excessive exposure to water will deteriorate the furniture.

All bathrooms should be well ventilated with a suitable extractor fan.

Clean with a soft damp cloth only.

Use a wax free polish if one must be used.

For removal of lime scale deposits use a suitable proprietary cleaner. If necessary test on an inconspicuous area first.

Please DO NOT...

Do not scrub or scour

Do not use abrasive cleaning agents

Replacement components - Should you require any replacement components for this product please contact R2 using the contact details below.