

Concept Space Compact Wall Mounted WC Pan

ILLUSTRATED

- E8025** Concept Space compact wall mounted WC pan
- S3643** Conceala 2 cistern 4.5/3 or 4/2.6 litre dual flush valve side supply and internal overflow, alternative height plastic flushbends, no flushplate
- E1292** Space seat and cover
- E0060** Support frame with bolts for wall hung WC pans

OPTIONS

- S3624** Conceala 2 cistern 6/4 litre dual flush valve top inlet and internal overflow, alternative height plastic flushbends
- S3617** Conceala 2 cistern 4.5 or 6 litre single flush syphon side supply and internal overflow plastic flushbend, long CP lever
- E1293** Space seat and cover, slow close
- S4310** Panekta outlet Connector, plain pattern to convert horizontal outlet WCs to S or turned P trap

ILLUSTRATED PRODUCT DETAILS

Weights

- E8025** 22.80 KG
- S3643** 2.70 KG
- E1292** 2.67 KG
- E0060** 4.28 KG

Materials

- E8025** Vitreous China
- S3643** Plastic
- E1292** Plastic
- E0060** Metal

Finishes

- E8025** White (01)
- S3643** Neutral / No Finish (67)
- E1292** White (01)
- E0060** Neutral / No Finish (67)

Capacity

- S3643** 4 litres

Designer

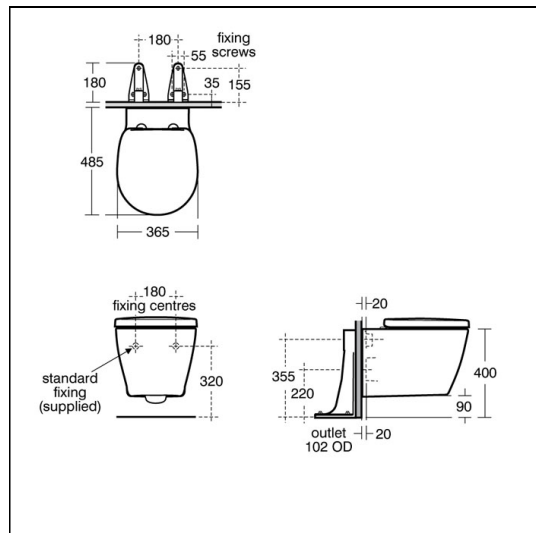
Robin Levien, RDI

Standards

Vitreous china to BS 3402, BS EN 997 & BS EN 33

Special Notes

E0060 support brackets secured to floor within the duct, WC fixed to support brackets with bolts supplied and bolts



ACCREDITATIONS



Concept Space Compact Wall Mounted WC Pan

screwed to back wall with brackets. Joint sealed with waterproof sealant (not supplied). Can be used with furniture WC units, support brackets E0060 required.

FEATURES

