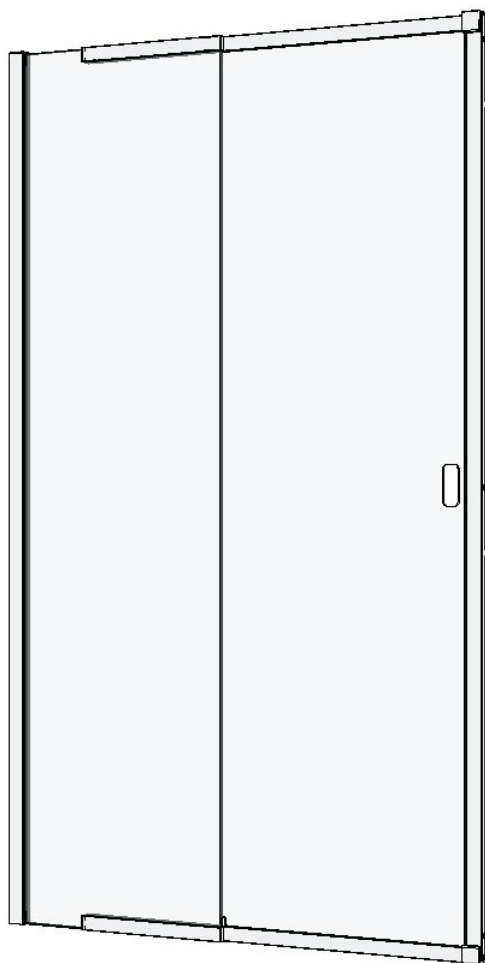


Please read these instructions throughout before installing as incorrect fitting will invalidate the guarantee.

If you are unsure about these instructions please contact Kudos Shower Products 01539 564040

HEALTH & SAFETY WARNING

DUE TO THE WEIGHT & SIZE OF THE GLASS PANEL(S) A MINIMUM OF TWO PERSONS ARE REQUIRED TO MOVE AND INSTALL THIS ENCLOSURE



These instructions show this product with sliding door access on the right-hand side, as shown above.

If you are installing this product with sliding door access on the left hand side, this is a mirror image of the stages shown within these instructions.

IMPORTANT

Check appearance of all product - any defects must be reported to Kudos Shower Products before assembly/installation. Claims for imperfections will only be accepted prior to assembly/installation

Any claims made under the terms of the Lifetime Guarantee must be reported to Kudos within 21 days of the fault occurring

Check the enclosure adjustment sizes are suitable for your installation

Use care when drilling into the walls to avoid hidden pipes or electric cables

THESE INSTRUCTIONS ARE TO BE LEFT WITH THE CONSUMER

CLEANING - general

For the wall post and fixings use only warm soapy water and damp cloth/ sponge on a regular basis. After cleaning please rinse with clean water to remove any residue.

Do not use abrasive scouring powders, chemicals or aerosol cleaners - these may result in damage to the surfaces, in particular, the plated component parts.

KUDOS LIFESHIELD GLASS TREATMENT

The glass panels are pre-treated with Life Shield on the inside surfaces only (Sliding Door glass panel is treated on both sides). Whilst this makes cleaning the glass easier and helps prevent the build up of harmful lime-scale and soap deposits, the glass still needs to be maintained on a regular basis. We recommend the use of a detergent and aroma free glass cleaner (A 50/50 mix of white vinegar and water works well)

DO NOT use strong detergents, abrasive cleaners or abrasive scrubbing equipment for cleaning, these can damage the coating.

DO use a squeegee to remove remaining droplets of water from glass after showering, any build up of residue can be removed easily using an appropriate cleaner and agitation from soft cleaning equipment

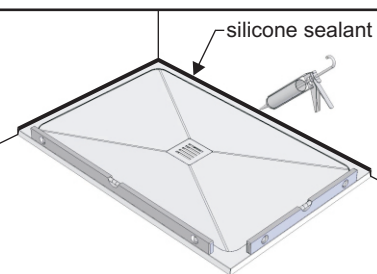
TOOLS REQUIRED

Pozi-head Screwdriver	Mains or Battery Drill
Tape Measure	7mm Drill Bit
Spirit Level	Pencil
3mm Allen Key - <i>supplied</i>	Sealant Gun
Craft knife	
Silicone Sealant - <i>we recommend clear silicone</i>	
Wall fixings - <i>fixings supplied are for masonry use only</i>	

SHOWERTRAY

Ensure the top of shower tray is **LEVEL** in **ALL** directions

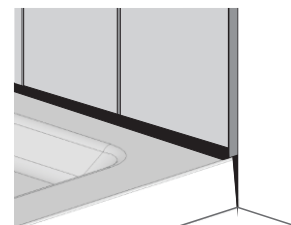
Once the tray is installed but **before** the wall tiles are fitted, any gap between the tray and the walls **must** be filled with silicone sealant flush with the top of the tray.



Stage 1

Once the walls have been tiled but **before** the enclosure is installed, the tiles **must** be silicone sealed to the tray all of the way around in one continuous bead.

Failure to follow these instructions will result in leakage problems

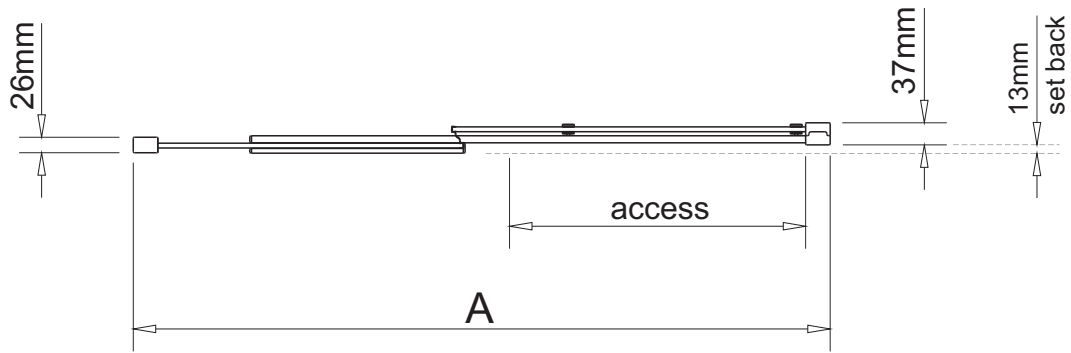


Stage 2

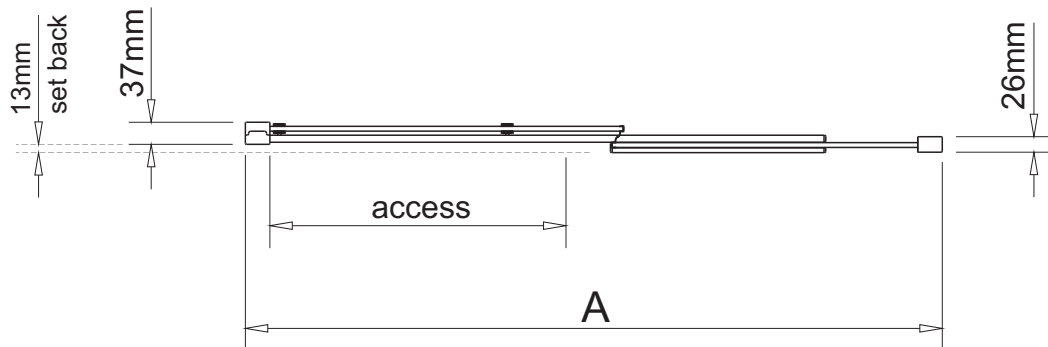
PRODUCT SIZES and ADJUSTMENTS

PRODUCT	PACK CODES		Dimensions mm
	In-line panel pack	Sliding door pack	A
1000	SIP-A	SDR-A	965 to 1005
1100	SIP-B	SDR-A	1065 to 1105
1200	SIP-C	SDR-B	1165 to 1205
1400	SIP-E	SDR-C	1365 to 1405
1500	SIP-F	SDR-C	1465 to 1505
1600	SIP-G	SDR-C	1565 to 1605
1700	SIP-H	SDR-C	1665 to 1705
1800	SIP-I	SDR-C	1765 to 1805

ENCLOSURE HEIGHT = 2000mm



Installed for right hand access



Installed for left hand access

1 FIT RAIL BRACKETS TO 'DOOR' WALLPOST

wallpost for door

TOP

no.4 x 13mm long csk screws

top rail bracket

OUTSIDE

OUTSIDE

RH bottom rail bracket for right hand access

LH bottom rail bracket for left hand access

COMPLETED

BOTTOM

- Select the wallpost for door as shown.

BOTTOM

- Insert RH bottom rail bracket into bottom of wallpost and secure using no.4 x 13mm long csk screw provided.

Note: the LH bottom rail bracket supplied can be discarded.

TOP

- Insert top rail bracket into top of wallpost and secure using 2x no.4 x 13mm long csk screw provided.

Note: this bracket can be used for both right hand & left hand access.

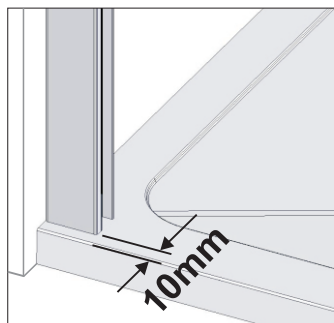
- Do not overtighten these screws.

2 FIT WALLPOSTS TO WALLS

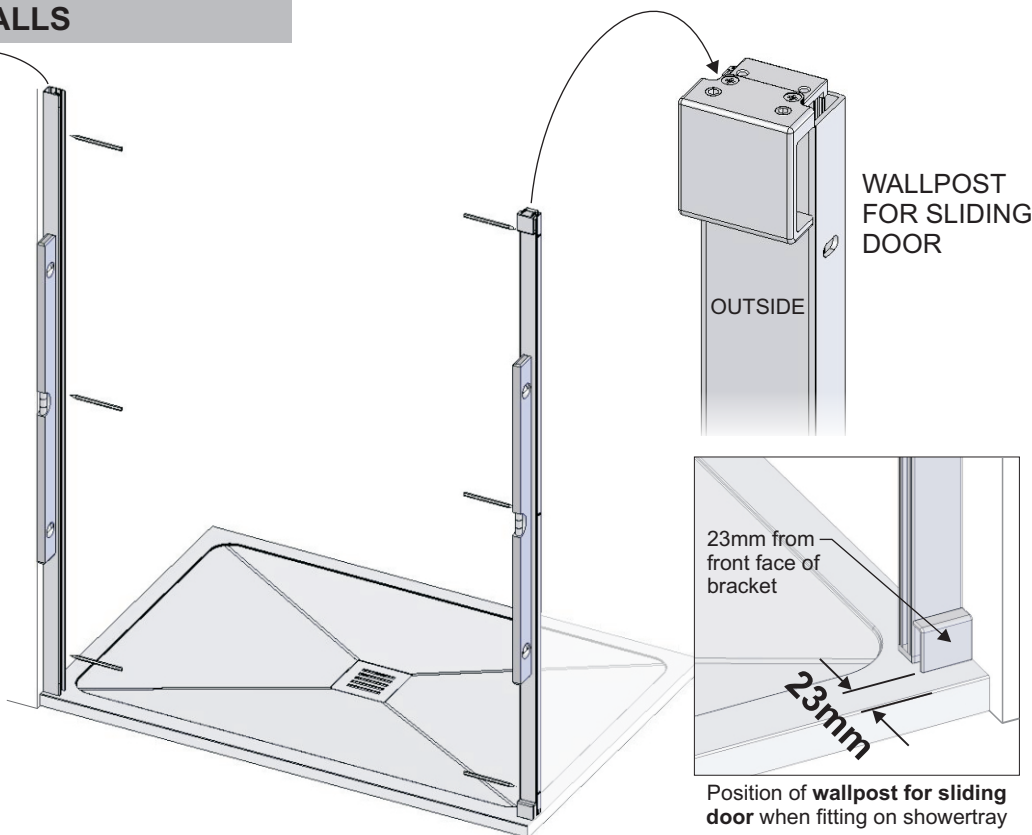
WALLPOST FOR IN-LINE PANEL

OUTSIDE

Fitted seal to outside



Position of wallpost for in-line panel when fitting on showertray



WALLPOST FOR SLIDING DOOR

OUTSIDE

23mm from front face of bracket

23mm

Position of wallpost for sliding door when fitting on showertray

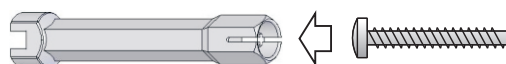
- Position wallpost for in-line panel (with fitted seal to outside), 10mm in from front edge of tray, as shown above. Using spirit level to ensure wallpost is vertical, mark through three slotted holes onto wall surface and remove wallpost.
- Using 7mm drill bit, drill holes in walls to centre of slotted marks made and fit rawplugs supplied or fixings suitable for the construction of the wall.
- Fix wallpost to wall using 3x no.8's x 30mm long screws provided. Tighten all screws using pozi-head screwdriver.

- Repeat for wallpost for sliding door, positioning front face of bottom rail bracket 23mm from edge of tray, as shown.

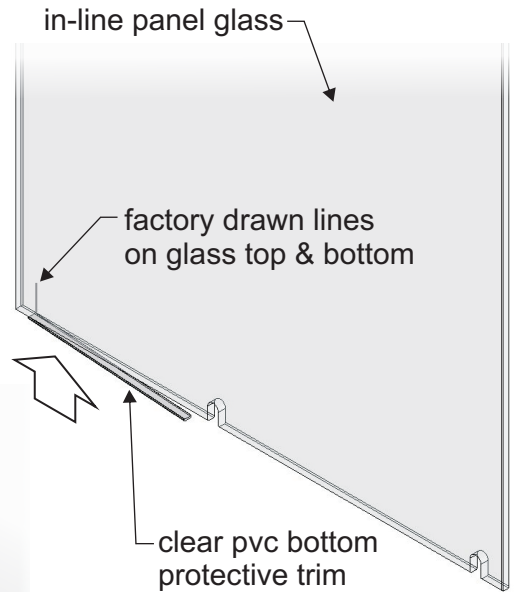
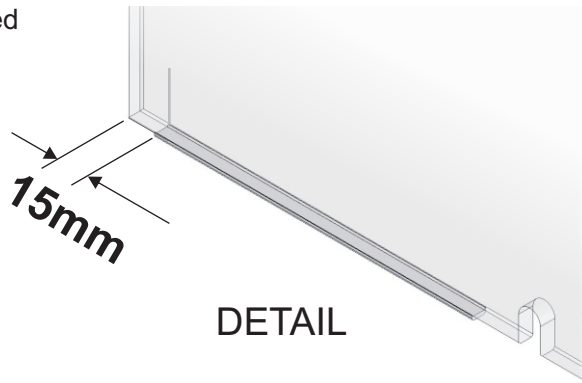
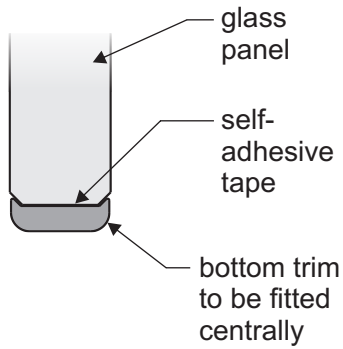


Apply a bead of silicone sealant around bottom & centre holes made in wall before fixing wallposts to wall.

Insert screw heads into the wizard tool supplied to aid insertion of screws into wall plugs.



3 FIT BOTTOM TRIM TO IN-LINE PANEL

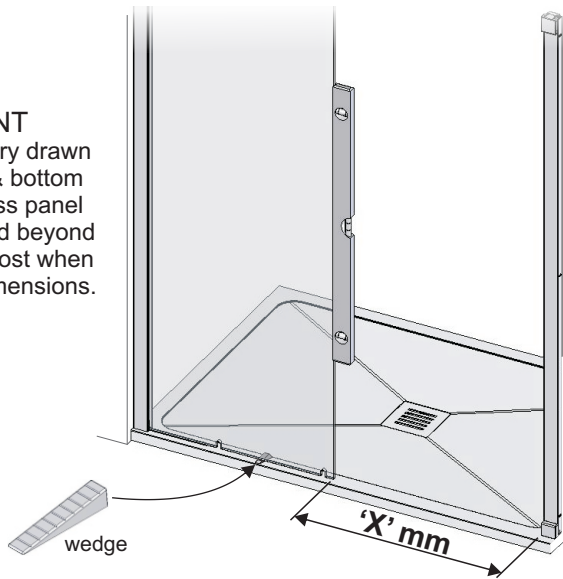


- Take note of label on glass panel - 'This surface to outside' - this will determine which is the bottom edge for your installation.
- Peel off a small length of the bottom trim adhesive tape and apply to bottom of glass panel 15mm from the end shown. Continue along length of trim, peeling away the tape as you go, until the full trim length is adhered to the panel.

TIP Use small upturned edges on bottom trim against chamfered glass edges to ensure trim is fitted centrally.

4 FIT IN-LINE PANEL GLASS

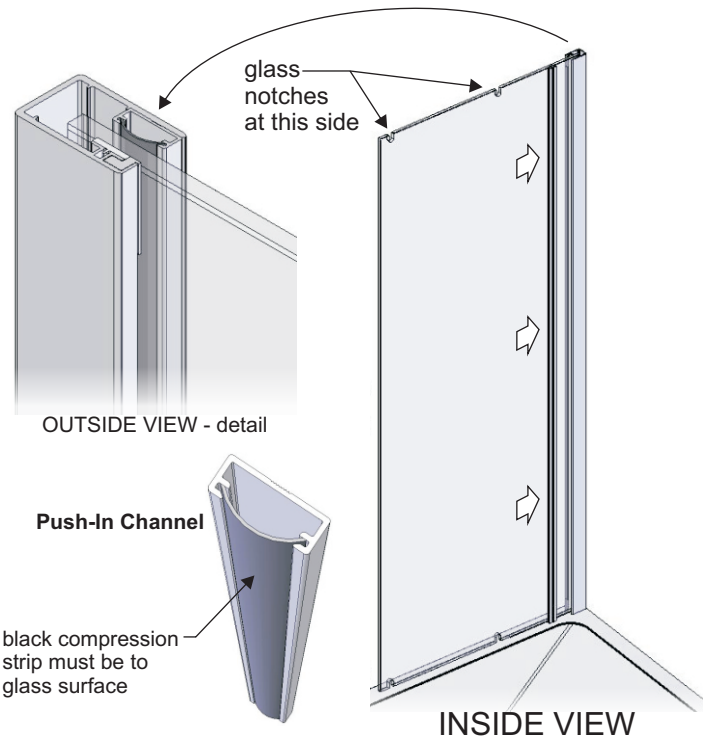
IMPORTANT
Ensure factory drawn lines at top & bottom of in-line glass panel do not extend beyond face of wallpost when setting to dimensions.



- CAREFULLY fit glass panel into slot in wallpost, ensuring panel is parallel to tray edge.
- Position edge of in-line panel 'X' mm to the face of bottom rail bracket, as shown - refer to table below for your slider size. **Ensure factory drawn lines on glass do not extend beyond front face of wallpost when setting to dimensions.**
- Ensure outer edge of in-line panel is vertical, as shown, using spirit level. If necessary, use small wedge supplied underneath glass panel to aid levelling - insert this from the inside.

Slider size (nominal)	'X' dimension
1000 / 1100	472 to 492mm
1200	572 to 592mm
1400 / 1500 / 1600 / 1700 / 1800	672 to 692mm

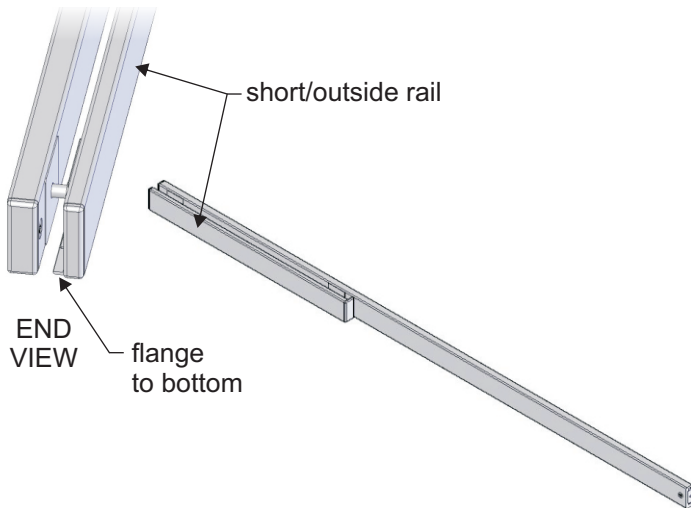
5 FIT PUSH-IN CHANNEL INTO WALLPOST



- From inside the enclosure, place the push-in channel (black strip towards glass) against the glass, starting from the bottom, insert into wallpost. Ensure this is fully inserted so that the channel is flush with surface of wallpost along the entire height.

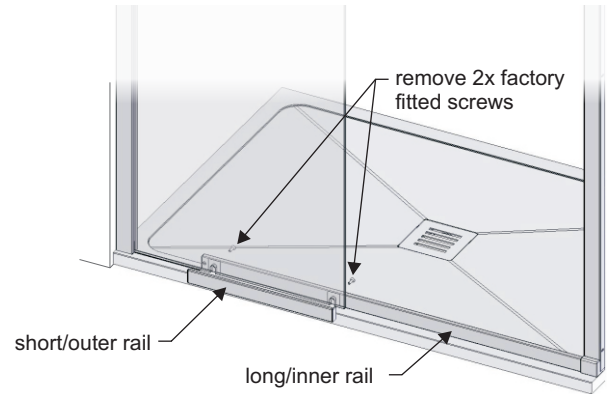
TIP Push-in channel can be removed, if necessary, by inserting tool supplied or allen key to pull the channel out at top.

6 SELECT RAIL FOR BOTTOM



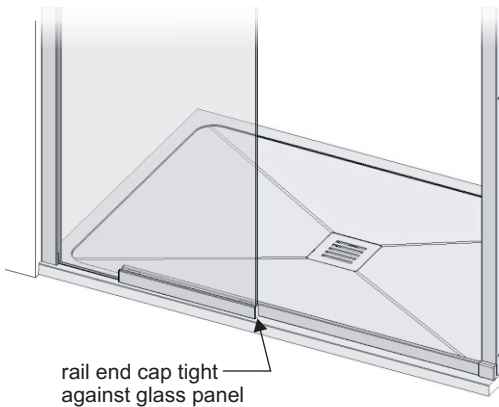
- The rails are handed to suit both left hand access & right hand access. Select the correct rail for fitting to bottom. The flange on the short/outside rail should face down onto the showertray, as shown.

7 FIT BOTTOM RAIL TO PANEL & BRACKET



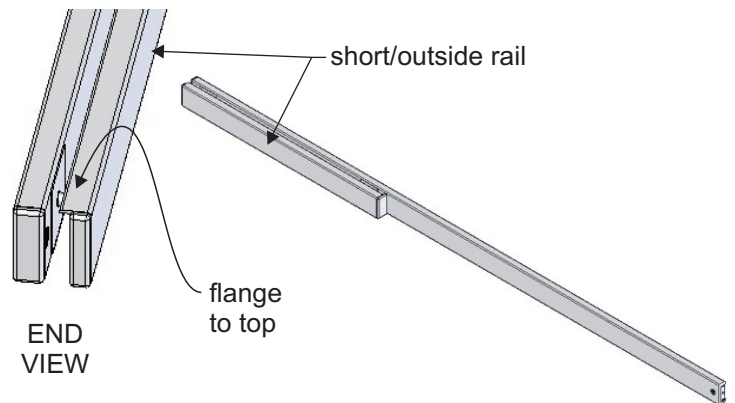
- Remove wedge (if used) from underside of in-line panel.
- Separate short/outer rail from rail assembly by removing 2x factory fitted screws using 3mm allen key supplied.
- Position long/inner rail to inside of in-line panel and fit rail end into bottom bracket of 'door' wallpost.
NB - engagement of rail end into bottom bracket should be min. 15mm depth / max. 35mm depth
- Slide flange of short/outer rail underneath in-line panel and fix to inner rail through notches in glass using screws previously removed. Do not tighten these screws yet.

8 FIX BOTTOM RAIL TO IN-LINE PANEL



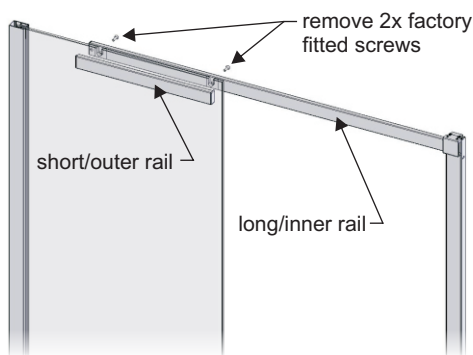
- Tighten 2x screws on inner rail ensuring the end cap of short/outer rail is tight against edge of fixed panel. Rail assembly must sit down onto showertray.

9 SELECT RAIL FOR TOP



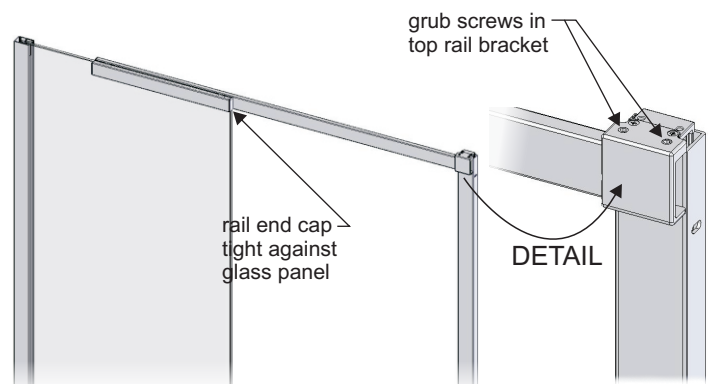
- Select the correct rail for fitting to top. The flange on the short/outside rail should face up toward the ceiling, as shown.

10 FIT TOP RAIL TO PANEL & BRACKET



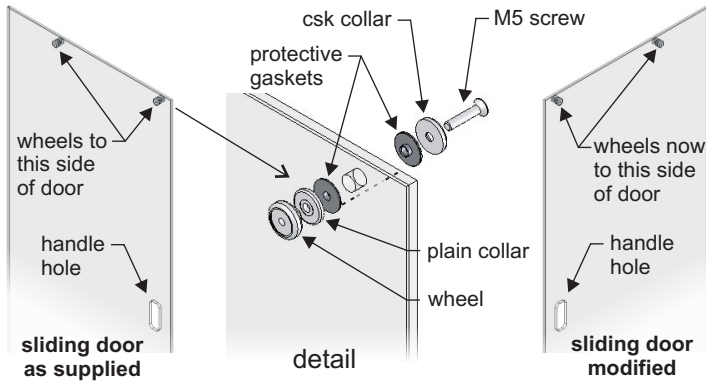
- Separate short/outer rail from rail assembly by removing 2x factory fitted screws using 3mm allen key supplied.
- Position long/inner rail to inside of in-line panel and fit rail end into top bracket of 'door' wallpost.
NB - engagement of rail end into bottom bracket should be min. 15mm depth / max. 35mm depth
- Re-fit short/outer rail to inner rail through notches in glass using screws previously removed, ensuring flange on short/outer rail is tight against top edge of in-line panel. Do not tighten these screws yet.

11 FIX TOP RAIL TO PANEL & BRACKET



- Tighten 2x screws on inner rail ensuring the end cap of short/outer rail is tight against the edge of in-line panel. Ensure flange on short/outer rail is tight against top edge of in-line panel.
- Tighten both grub screws in top rail bracket to secure the long/inner rail in place.
NB - dependent on the amount of adjustment used in the door wallpost, it may only be possible to tighten one grub screw to the rail, this is within the design parameters of the product.

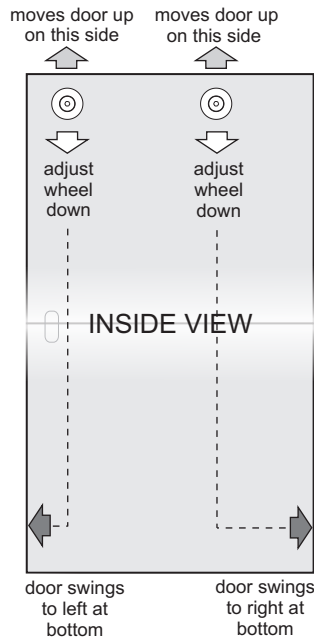
12 MODIFY DOOR WHEELS (if required)



- The sliding door glass has both wheels factory fitted to suit door closing to side panel on right hand side. To modify door to close to side panel on left hand side, the wheels need to be changed over.
- Using 3mm allen key supplied, remove M5 screw to release all parts, *refer to detail above*. Re-assemble in reverse order so that all parts are on opposite side of door glass. **Repeat for the other wheel assembly.**

14 ADJUST SLIDING DOOR

- From the outside check vertical alignment of door against the vertical corner seal on side panel. **Please ensure bottom of glass does not collide with corner bracket at this stage.**
- If necessary, the door can be adjusted from the inside, by loosening the wheel screw/s (**do not remove**) and moving wheel/s up or down as shown, to achieve correct alignment.

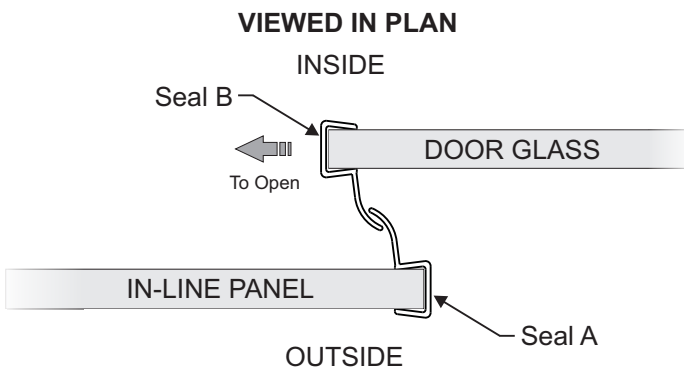


- Wheel screws must be **FULLY** tightened on completion.

Please note that the rail stops are designed to prevent the door from touching the rigid part of the door closing seal.

TIP Use your foot to support weight of door whilst adjusting. Adjust and then tighten one wheel at a time.

16 FIT VERTICAL SEALS



Seal A Overlap seal 1934mm long **In-line Panel**
Seal B Overlap seal 1984mm long & notched **Door glass**

- Fit seals to vertical edges of the glass panels as shown. **Seal B**, at top only, extend the notch in the flexible section only with craft knife so this just clears interference with the top rail.

! These seals must be fitted correctly, if not, the seals will fail prematurely.

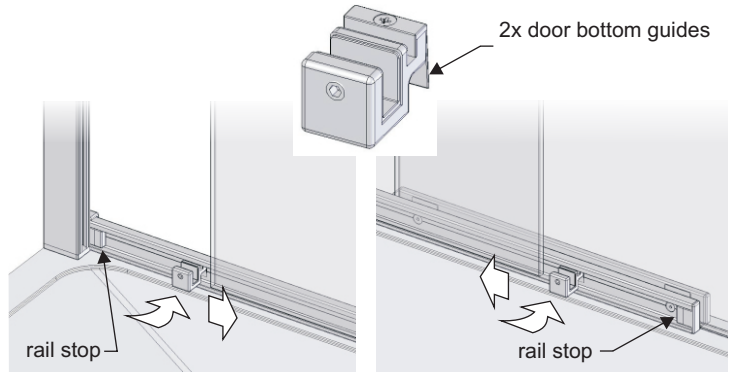
13 FIT SLIDING DOOR TO TOP RAIL



- Ensuring handle hole in sliding door is on the correct side, carefully lift door through the opening.
- Lift the door glass and insert both wheels into the running channel of the top rail.

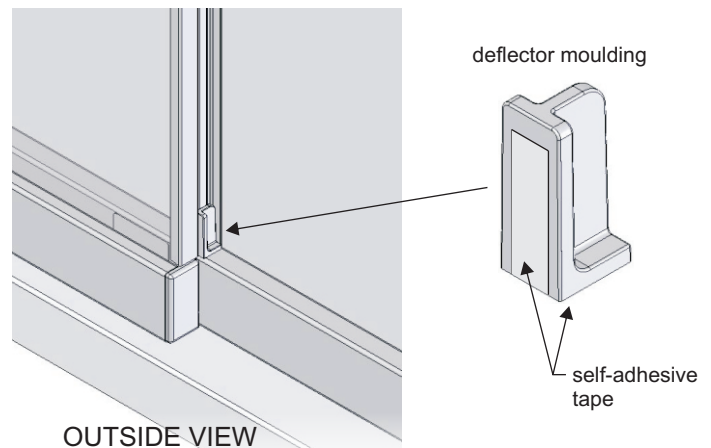
TIP Using a slightly damp cloth, thoroughly clean the top rail running channel before fitting the sliding door.

15 FIT GUIDES TO BOTTOM OF SLIDING DOOR



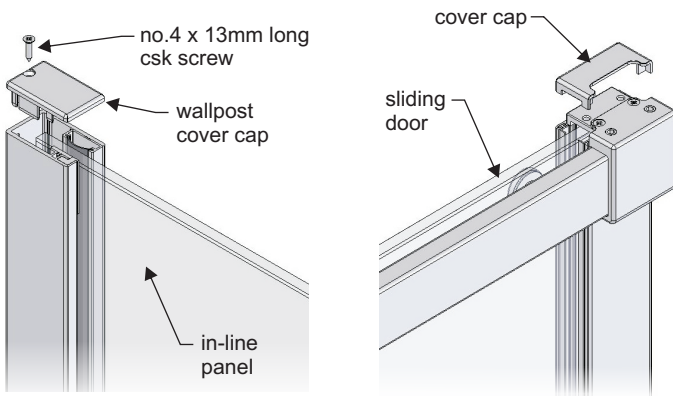
- Slide door to centre of bottom rail. Insert first guide into channel of bottom rail then slide this sideways onto the door glass. Carefully slide both door and guide to fully closed position, then fix guide in position against the rail stop using 3mm allen key supplied.
- Repeat above to fit the second guide to opposite side of door glass. Position and fix guide to door against the rail stop when the door is fully open.

17 FIT DEFLECTOR MOULDING TO BOTTOM RAIL



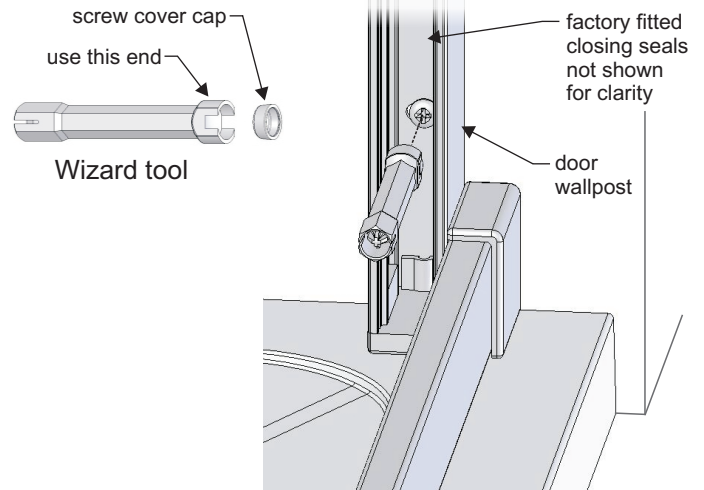
- Remove paper on self-adhesive tape from front & underside of deflector moulding.
- Carefully position moulding against bottom edges of seal A and on top of long bottom rail, apply pressure to fix in place. Failure to fit this moulding may result in leakage issues.

18 FIT WALLPOST COVER CAPS



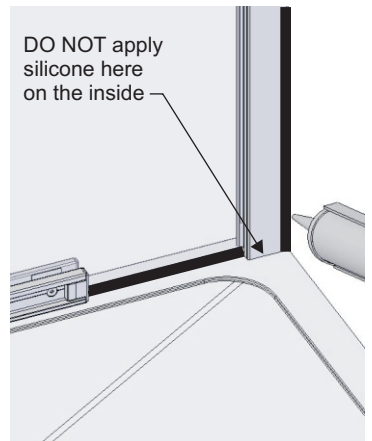
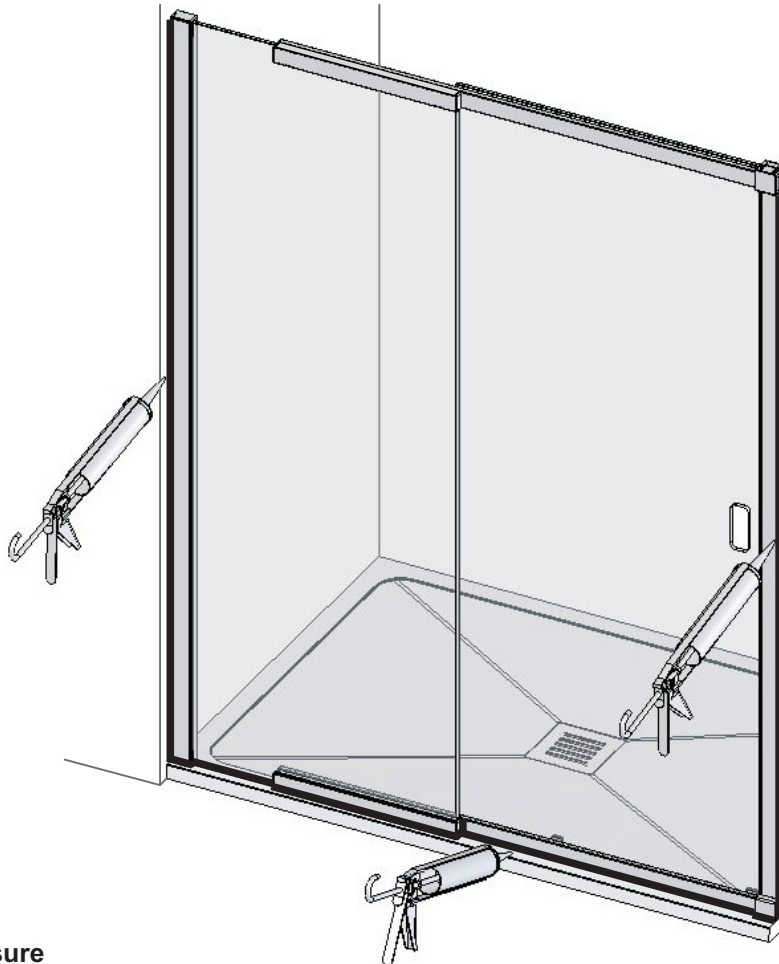
- Push fit cover cap into top rail bracket on 'door' wallpost.
 - Push fit cover cap into 'in-line panel' wallpost and secure using no.4 x13mm long csk screw provided.
- IMPORTANT: this wallpost cover cap features integral locking tabs for safety reasons - failure to fit this cover cap will invalidate the guarantee.**

19 FIT SCREW COVER CAPS

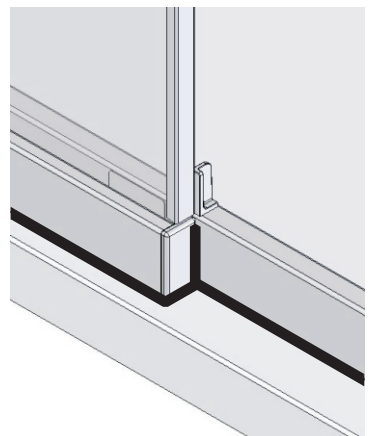


- Insert screw cover cap into wizard tool as shown.
 - Feed wizard tool through both seals of 'door' wallpost and push over screw head. Remove wizard tool to leave cover cap fixed onto screw head.
- Repeat for two remaining screws in wallpost.

20 SILICONE SEAL ENCLOSURE



INSIDE - Detail B



OUTSIDE - Detail A

OUTSIDE Enclosure

- Silicone seal wallposts to walls and over full width of enclosure to showertray at bottom.
- **Detail A**
Seal up both ends of the bottom short/outer rail to glass and inner rail. Seal up junction of bottom inner rail to bottom rail bracket assembly.

INSIDE Enclosure

- **Detail B**
Silicone seal wallposts to walls. and glass panels to tray ONLY.
- DO NOT seal bottom of wallposts or enclosure to tray.**

Allow 24hrs for silicone to fully cure before using the enclosure.

- When installed correctly, Kudos guarantee the enclosure will not leak under normal showering use, i.e. when the shower head is in its normal showering position.
NB - Using the shower head to clean/rinse down the enclosure does not constitute normal showering use.