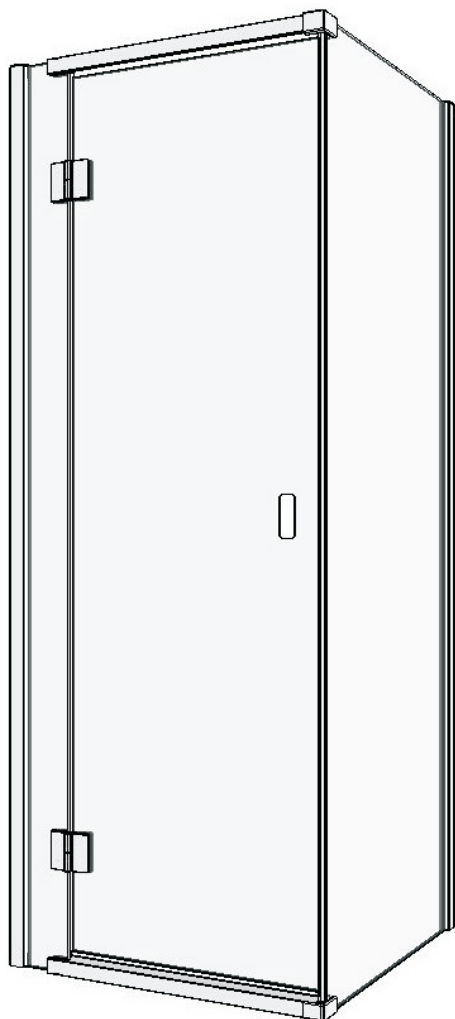


Please read these instructions throughout before installing as incorrect fitting will invalidate the guarantee.

If you are unsure about these instructions please contact Kudos Shower Products 01539 564040

HEALTH & SAFETY WARNING

DUE TO THE WEIGHT & SIZE OF THE GLASS PANEL(S) A MINIMUM OF TWO PERSONS ARE REQUIRED TO MOVE AND INSTALL THIS ENCLOSURE



These instructions show a left hand hinged door closing to the side panel on the right-hand side, as shown above.

If you are installing this product with right hand hinged door closing to side panel on the left hand side, this is a mirror image of the stages shown within these instructions.

IMPORTANT

Check appearance of all product - any defects must be reported to Kudos Shower Products before assembly/installation. Claims for imperfections will only be accepted prior to assembly/installation

Any claims made under the terms of the Lifetime Guarantee must be reported to Kudos within 21 days of the fault occurring

Check the enclosure adjustment sizes are suitable for your installation

Use care when drilling into the walls to avoid hidden pipes or electric cables

THESE INSTRUCTIONS ARE TO BE LEFT WITH THE CONSUMER

CLEANING - general

For the wall post and fixings use only warm soapy water and damp cloth/ sponge on a regular basis. After cleaning please rinse with clean water to remove any residue.

Do not use abrasive scouring powders, chemicals or aerosol cleaners - these may result in damage to the surfaces, in particular, the plated component parts.

KUDOS LIFESHIELD GLASS TREATMENT

The glass panels are pre-treated with Life Shield on the inside surfaces only.

Whilst this makes cleaning the glass easier and helps prevent the build up of harmful lime-scale and soap deposits, the glass still needs to be maintained on a regular basis. We recommend the use of a detergent and aroma free glass cleaner (A 50/50 mix of white vinegar and water works well)

DO NOT use strong detergents, abrasive cleaners or abrasive scrubbing equipment for cleaning, these can damage the coating.

DO use a squeegee to remove remaining droplets of water from glass after showering, any build up of residue can be removed easily using an appropriate cleaner and agitation from soft cleaning equipment

TOOLS REQUIRED

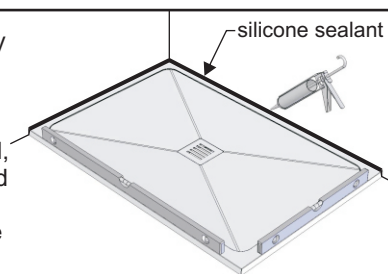
- | | |
|---|------------------------|
| Pozi-head Screwdriver | Mains or Battery Drill |
| Tape Measure | 7mm Drill Bit |
| Spirit Level | Pencil |
| 3mm Allen Key - <i>supplied</i> | Sealant Gun |
| Craft knife | |
| Silicone Sealant - <i>we recommend clear silicone</i> | |
| Wall fixings - <i>fixings supplied are for masonry use only</i> | |

NB - due to the manufacturing tolerances for safety glass, it may be necessary to make the adjustments described in **stage 17** of these instructions to achieve the correct closing action.

SHOWERTRAY

Ensure the top of shower tray is **LEVEL** in **ALL** directions

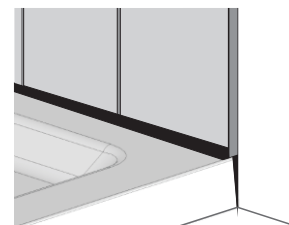
Once the tray is installed but **before** the wall tiles are fitted, any gap between the tray and the walls **must** be filled with silicone sealant flush with the top of the tray.



Stage 1

Once the walls have been tiled but **before** the enclosure is installed, the tiles **must** be silicone sealed to the tray all of the way around in one continuous bead.

Failure to follow these instructions will result in leakage problems



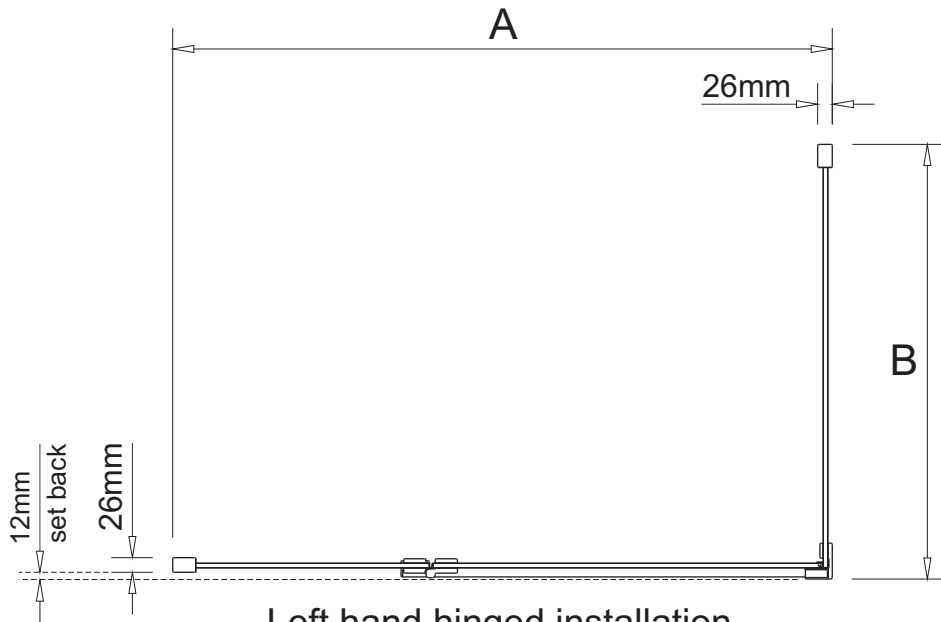
Stage 2

PRODUCT SIZES and ADJUSTMENTS

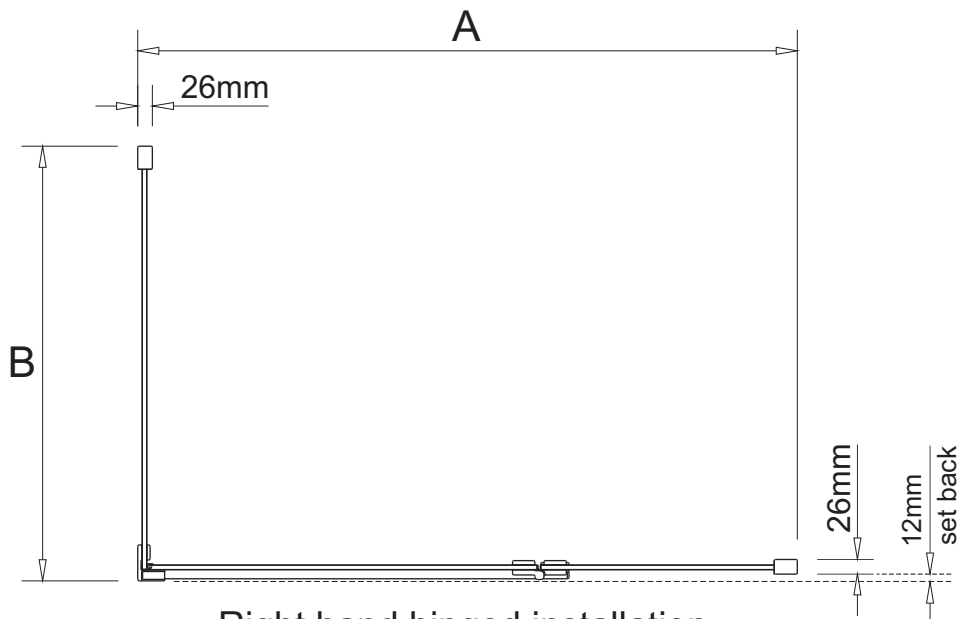
PRODUCT	PACK CODES Left Hand		PACK CODES Right Hand		Dimensions mm
HINGED DOOR for CORNER	In-line panel pack	Hinge door pack	In-line panel pack	Hinge door pack	A
760	HIP-L/H-A	HDC-L/H-A	HIP-R/H-A	HDC-R/H-A	730 to 750
800	HIP-L/H-A	HDC-L/H-B	HIP-R/H-A	HDC-R/H-B	770 to 790
900	HIP-L/H-A	HDC-L/H-C	HIP-R/H-A	HDC-R/H-C	870 to 890
1000	HIP-L/H-B	HDC-L/H-C	HIP-R/H-B	HDC-R/H-C	970 to 990
1200	HIP-L/H-D	HDC-L/H-C	HIP-R/H-D	HDC-R/H-C	1170 to 1190
1400	HIP-L/H-F	HDC-L/H-C	HIP-R/H-F	HDC-R/H-C	1370 to 1390
1500	HIP-L/H-G	HDC-L/H-C	HIP-R/H-G	HDC-R/H-C	1470 to 1490

PRODUCT	PACK CODE	Dimensions mm
SIDE PANEL for CORNER HINGED	Side panel pack	B
700	P8SC2SP70	670 to 690
760	P8SC2SP76	730 to 750
800	P8SC2SP80	770 to 790
900	P8SC2SP90	870 to 890
1000	P8SC2SP100	970 to 990

ENCLOSURE HEIGHT = 2000mm

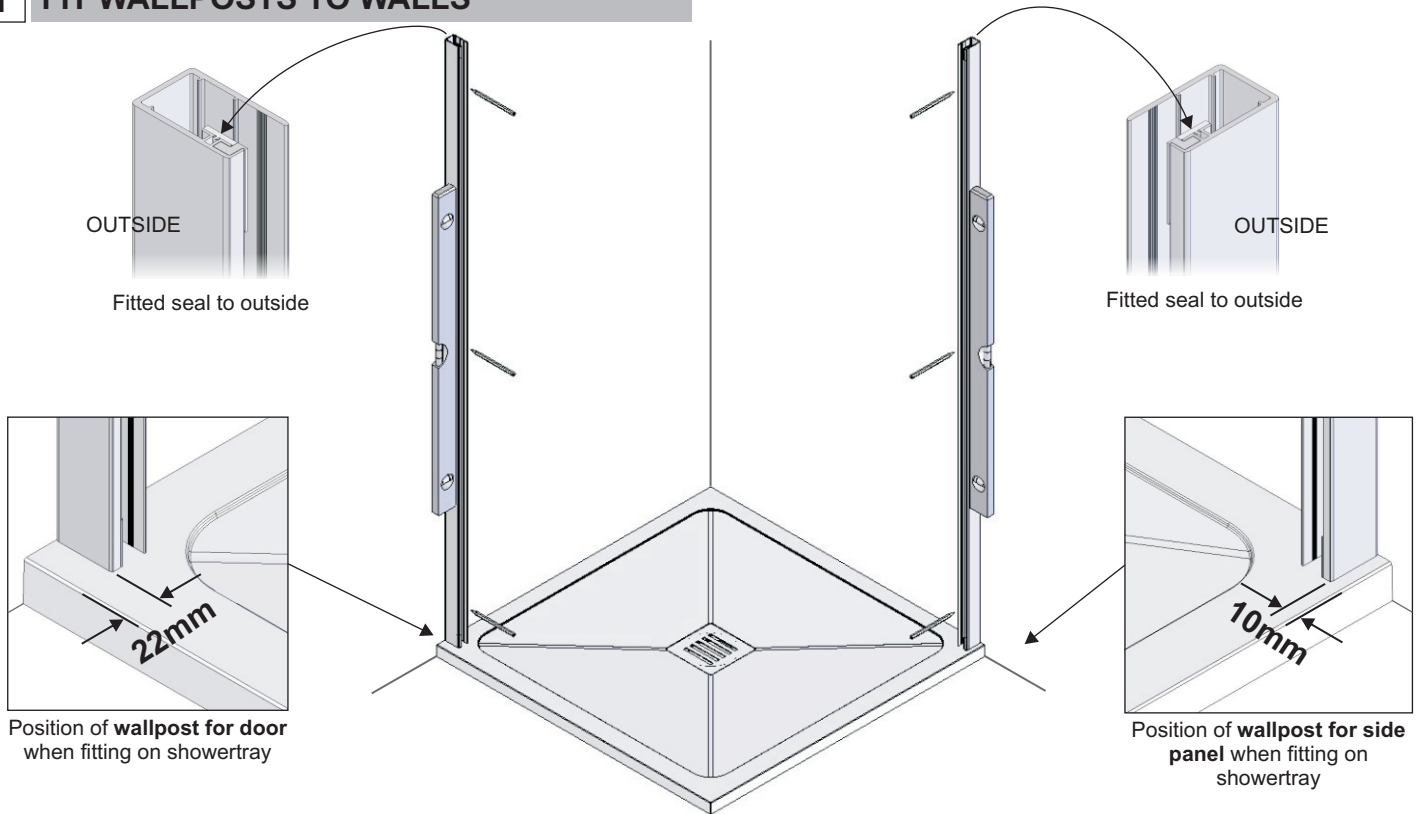


Left hand hinged installation



Right hand hinged installation

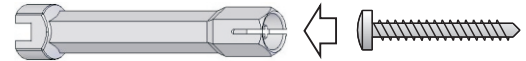
1 FIT WALLPOSTS TO WALLS



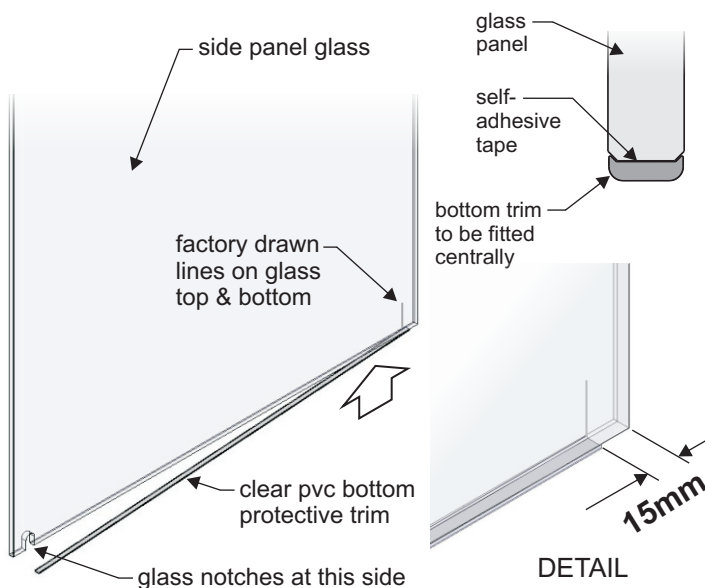
- Position **wallpost for door** (with fitted seal to outside), **22mm** in from front edge of tray, as shown above. Using spirit level to ensure wallpost is vertical, mark through three slotted holes onto wall surface and remove wallpost.
- Using 7mm drill bit, drill holes in walls to centre of slotted marks made and fit rawlplugs supplied or fixings suitable for the construction of the wall.
- Fix wallpost to wall using 3x no.8's x 30mm long screws provided. Tighten all screws using pozi-head screwdriver.

- Repeat for **wallpost for side panel**, positioning this **10mm** from edge of tray, as shown.

TIP Apply a bead of silicone sealant around bottom & centre holes made in wall before fixing wallpost to wall. Insert screw heads into the wizard tool supplied to aid insertion of screws into wall plugs.



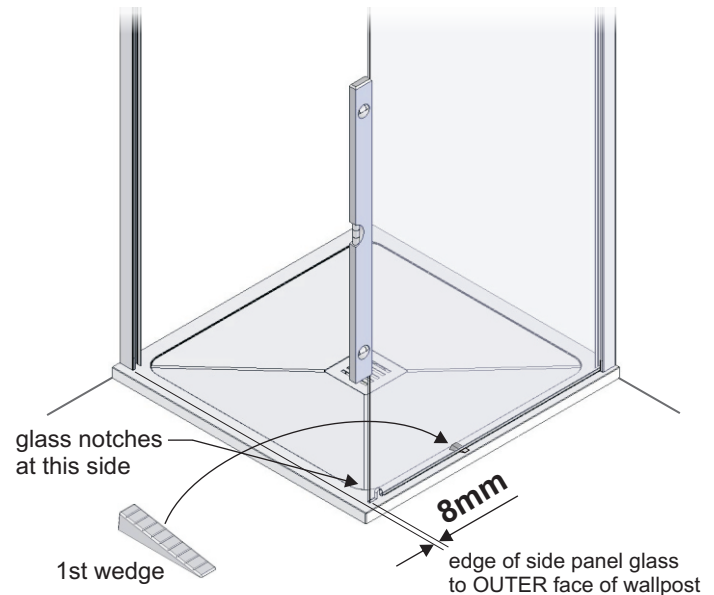
2 FIT BOTTOM TRIM TO SIDE PANEL



- Take note of label on glass panel - '**This surface to outside**' - this will determine which is the bottom edge for your installation.
- Peel off a small length of the bottom trim adhesive tape and apply to bottom of glass panel 15mm from the end shown. Continue along length of trim, peeling away the tape as you go, until the full trim length is adhered to the panel.

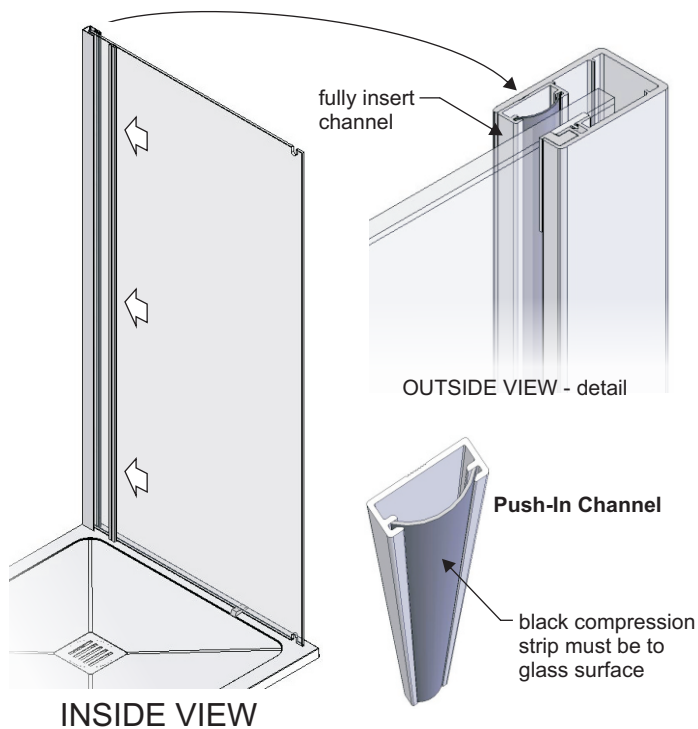
TIP Use small upturned edges on bottom trim against chamfered glass edges to ensure trim is fitted centrally.

3 FIT SIDE PANEL GLASS



- CAREFULLY fit glass panel into slot in wallpost, ensuring panel is parallel to tray edge.
- Position outer edge of side panel glass **8mm** back from the OUTER face of adjacent wallpost, as shown. **Ensure factory drawn lines on side panel glass do not extend beyond front face of wallpost.**
- Ensure outer edge of side panel is vertical, as shown, using spirit level. If necessary, use small wedge supplied underneath glass panel to aid levelling - insert this from the inside.

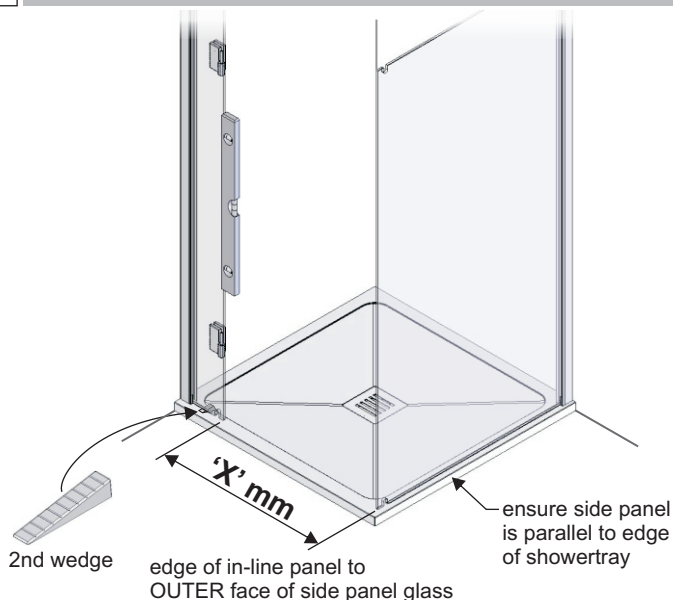
4 FIT PUSH-IN CHANNEL INTO WALLPOST



- From inside the enclosure, place the push-in channel (black strip towards glass) against the glass, starting from the bottom, insert into wallpost. Ensure this is fully inserted so that the channel is flush with surface of wallpost along the entire height.

TIP Push-in channel can be removed, if necessary, by inserting tool supplied or allen key to pull the channel out at top.

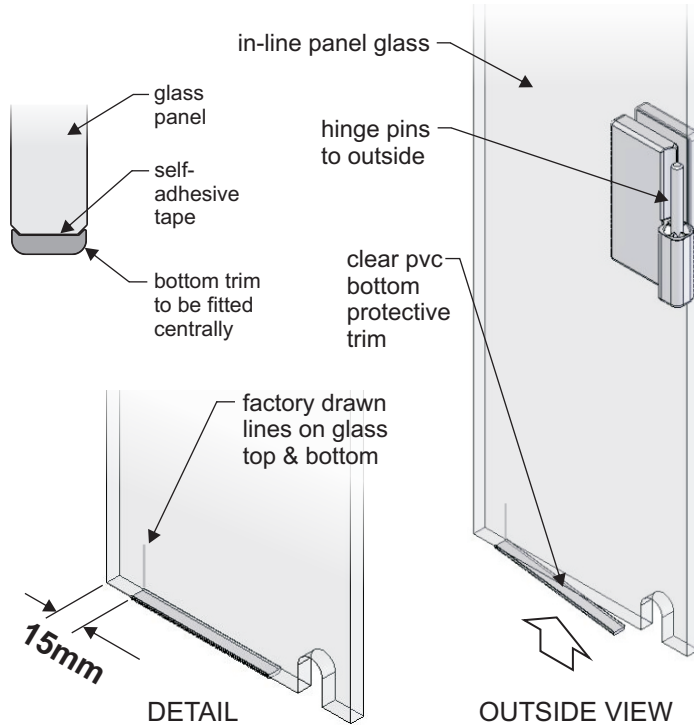
6 FIT IN-LINE PANEL GLASS



- CAREFULLY fit glass panel into slot in wallpost, ensuring panel is parallel to tray edge.
- Position edge of in-line panel 'X' mm to OUTER face of side panel glass, as shown - refer to table below for your hinged size. **Ensure factory drawn lines on glass do not extend beyond front face of wallpost.**
- Ensure outer edge of in-line panel is vertical, as shown, using spirit level. If necessary, use small wedge supplied underneath glass panel to aid levelling - insert this from the inside.

Hinged size (nominal)	'X' dimension
760	568mm
800	608mm
900 / 1000 / 1200 / 1400 / 1500	708mm

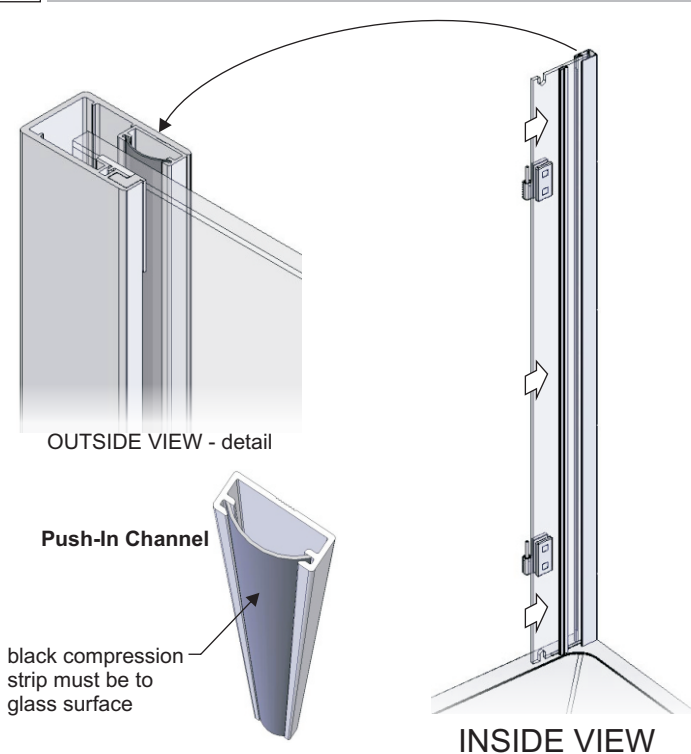
5 FIT BOTTOM TRIM TO IN-LINE PANEL



- Peel off a small length of the bottom trim adhesive tape and apply to bottom of glass panel 15mm from the end shown. Continue along length of trim, peeling away the tape as you go, until the full trim length is adhered to the panel.

TIP Use small upturned edges on bottom trim against chamfered glass edges to ensure trim is fitted centrally.

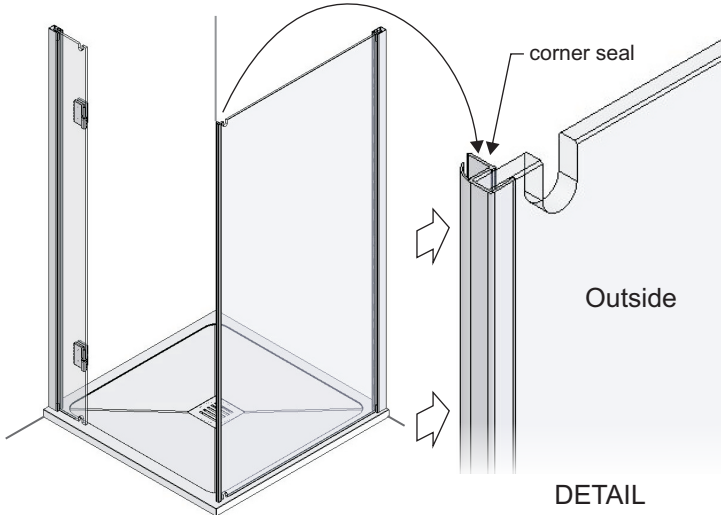
7 FIT PUSH-IN CHANNEL INTO WALLPOST



- From inside the enclosure, place the push-in channel (black strip towards glass) against the glass, starting from the bottom, insert into wallpost. Ensure this is fully inserted so that the channel is flush with surface of wallpost along the entire height.

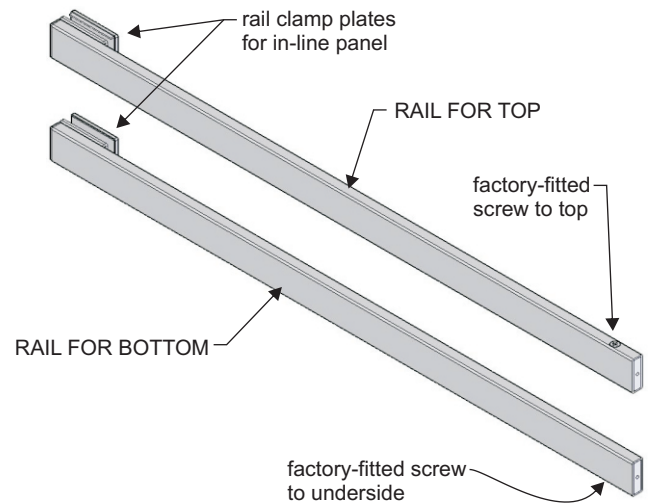
TIP Push-in channel can be removed, if necessary, by inserting tool supplied or allen key to pull the channel out at top.

8 FIT CORNER SEAL TO SIDE PANEL



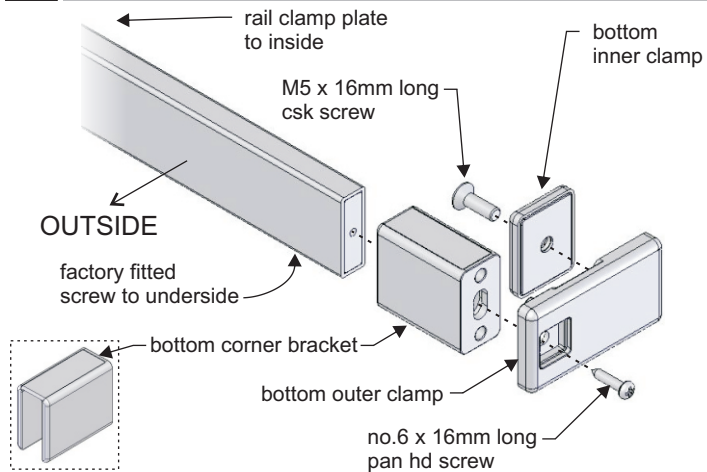
- Push fit corner closing seal (from side panel pack) onto edge of side panel glass. Ensure this is pushed fully on and the soft flipper section of seal is to inside of enclosure - see detail.

9 SELECT RAIL FOR BOTTOM



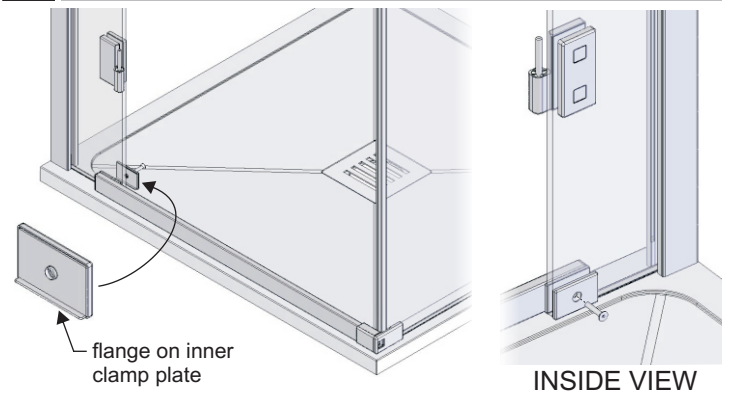
- The rails are handed to suit both l/h & r/h hinged doors. Select the correct rail to fit to bottom of enclosure - diagrams here show rail for top and rail for bottom for left hand hinged door.

10 FIT BTM CORNER BRACKET TO RAIL END



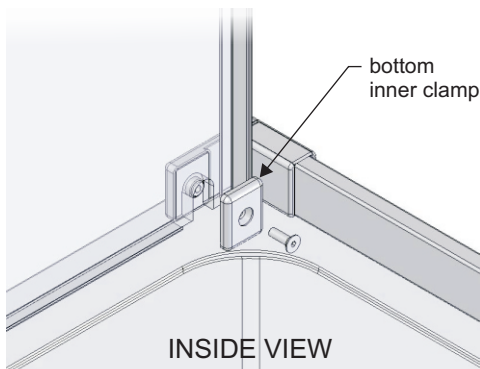
- Fit bottom corner bracket over rail end, locate bottom outer clamp to corner bracket and fix both to rail end using no.6 x 16mm long pan hd screw, as shown - *do not overtighten screw.*
- Remove bottom inner clamp by removing M5 screw using 3mm allen key.

11 FIT BOTTOM RAIL TO IN-LINE PANEL



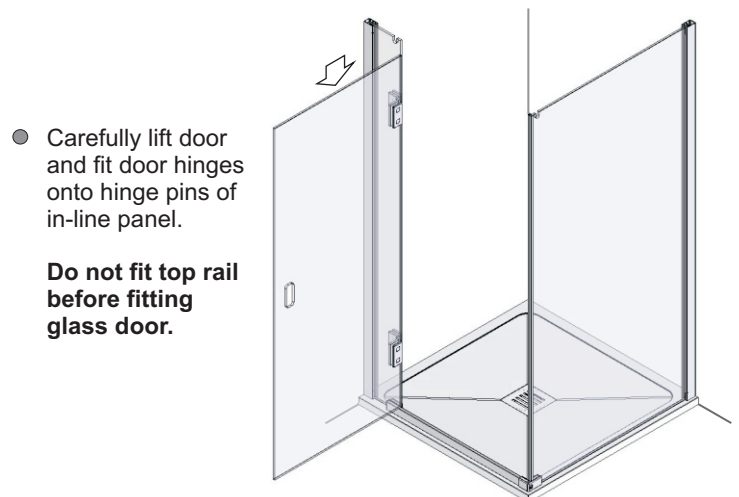
- Remove wedge (if used) from underside of in-line panel.
- Remove inner clamp plate from rail end using 3mm allen key. Position rail to outside of in-line panel with bottom corner bracket around corner seal of side panel.
- Fit rail to in-line panel using inner clamp plate and screw, through notch in panel. Ensure flange on clamp plate is to bottom and edge of clamp plate lines up with edge of panel. Do not tighten this screw yet.

12 FIX BOTTOM RAIL TO BOTH PANELS



- Fix bottom inner clamp to outer clamp using M5 screw through notch in side panel glass - see inside view detail. Ensure corner bracket assembly is tight against the corner seal of side panel.
- Tighten all screws to fix rail to glass panels. Rail assembly must sit down onto showertray.
- Remove wedge (if used) from underside of side panel.

13 FIT DOOR ONTO IN-LINE PANEL HINGES

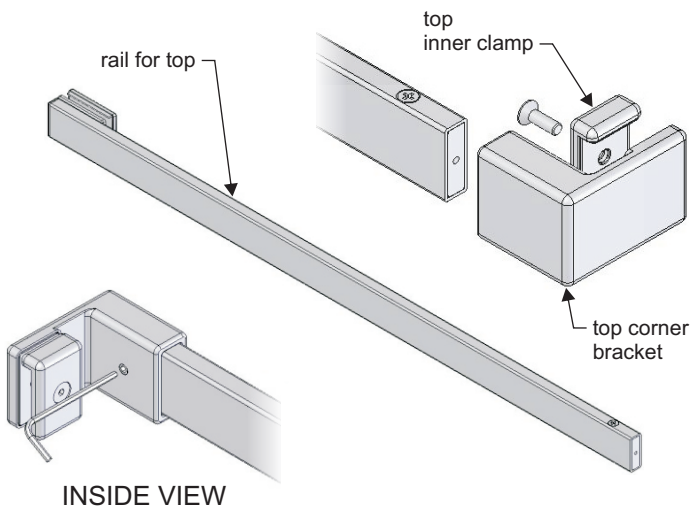


- Carefully lift door and fit door hinges onto hinge pins of in-line panel.

Do not fit top rail before fitting glass door.

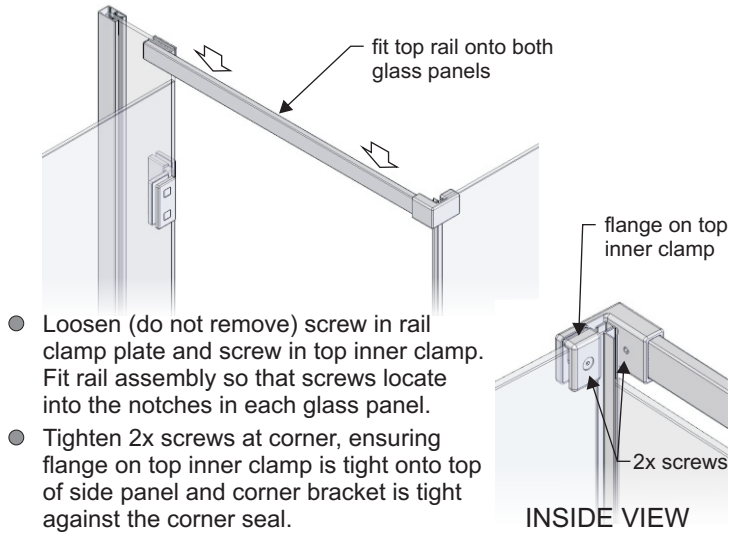
⚠ As stated on the front cover of these instructions, a minimum of two persons are required to install this product.

14 FIT TOP CORNER BRACKET TO TOP RAIL



- Slide top corner bracket **FULLY** into end of top rail, as shown and fix in position using grub screw on inside.

15 FIT TOP RAIL TO BOTH PANELS

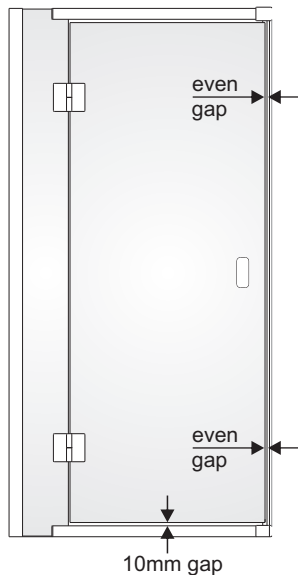


- Loosen (do not remove) screw in rail clamp plate and screw in top inner clamp. Fit rail assembly so that screws locate into the notches in each glass panel.
- Tighten 2x screws at corner, ensuring flange on top inner clamp is tight onto top of side panel and corner bracket is tight against the corner seal.
- Fix rail to in-line panel using inner clamp plate and tighten screw, ensure flange on clamp plate is to top and edge of clamp plate lines up with edge of in-line panel.

16 CHECK DOOR ALIGNMENT

Close the door and check this is square to the opening:

- The gap between door glass and corner seal should be even all the way up. The gap between bottom edge of door glass and bottom rail should be approx. 10mm all the way across. If gaps are uneven re-check the following:
- Check level of tray - *front page*. Check vertical edge of In-line panel - *stage 6*. Check rails are fully inserted into each corner bracket - *stages 10 & 14*.

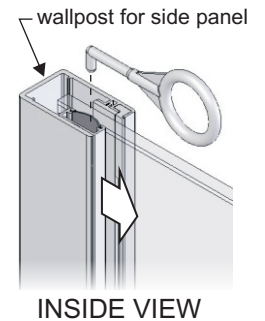


! Do not attempt to tamper with the factory-fitted hinges, as this will invalidate the guarantee.

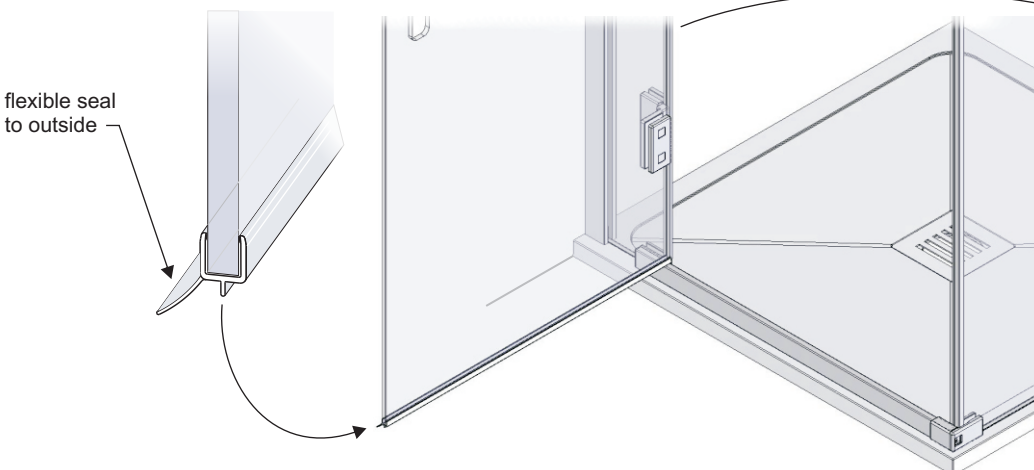
17 ADJUST DOOR CLOSURE (if required)

The closing action of the door glass against the corner closing seal can be adjusted if this is too 'tight' or too 'loose':

- Slacken (do not remove) the screws in inner clamp plates attached to the in-line panel at top and bottom. Move rail (and side panel) in either direction until the desired closing action is achieved. Re-tighten both screws when complete.
- Also, check that the door closes fully against the back-stop of the corner seal from top to bottom, if not, adjust as follows:
- Remove the push-in channel from the **side panel wallpost** by inserting tool supplied or allen key to pull the channel out at the top. Adjust top of side panel glass in or out of the wallpost to achieve full closure of door from top to bottom against the back-stop of corner seal. Re-fit the push-in channel into wallpost.

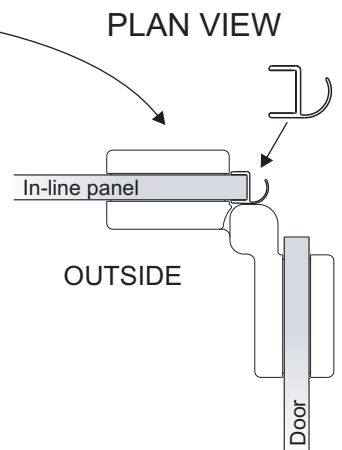


18 FIT SEAL TO BOTTOM OF DOOR



- Fit seal to bottom of door glass as shown, ensuring this is pushed **fully** onto bottom of glass.

19 FIT VERTICAL SEAL TO IN-LINE PANEL

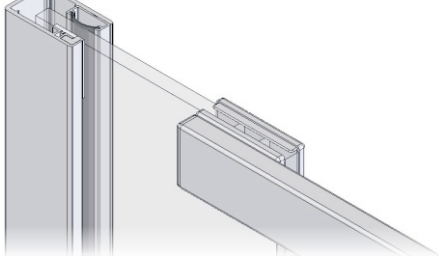


- Fit vertical seal to edge of in-line panel as shown.

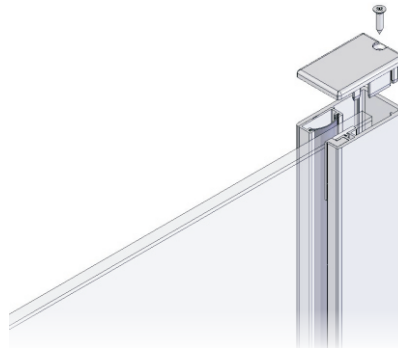
20 FIT COVER CAPS

no.4 x 13mm long
csk screw

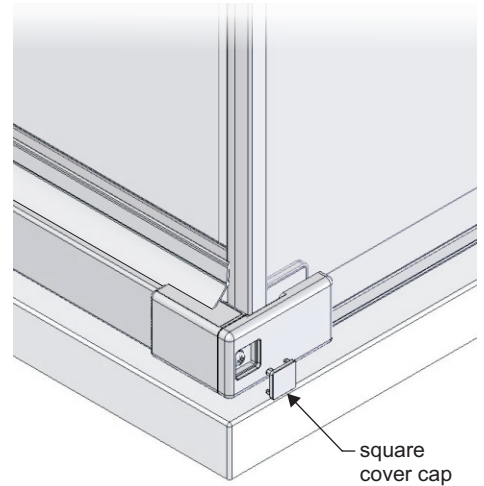
wallpost
cover cap



DOOR WALLPOST



SIDE PANEL WALLPOST



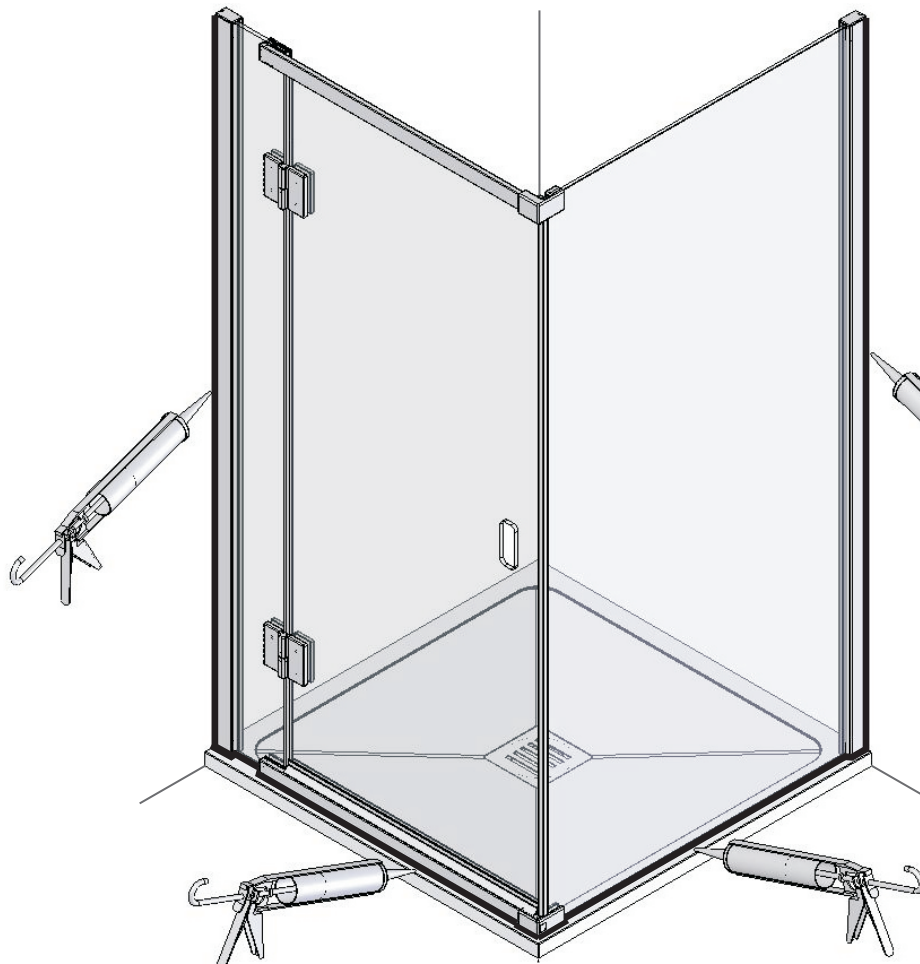
square
cover cap

- Push fit cover cap into wallpost and secure using no.4 x13mm long csk screw provided. Repeat for other wallpost.

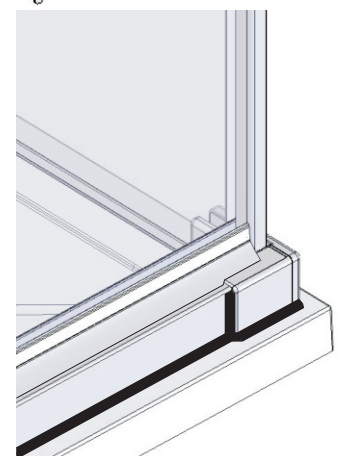
- Push fit square cover cap into bottom outer clamp.

IMPORTANT: the wallpost cover caps feature integral locking tabs for safety reasons - failure to fit these cover caps will invalidate the guarantee.

21 SILICONE SEAL ENCLOSURE



INSIDE - Detail B



OUTSIDE - Detail A

OUTSIDE Enclosure

- Silicone seal wallposts to walls and over full width of enclosure to showertray at bottom.
- **Detail A**
Seal up juncture of rail end to glass. Seal up corner bracket assembly to glass and bottom rail.

INSIDE Enclosure

- **Detail B**
Silicone seal wallposts to walls. and glass panels to tray ONLY.
DO NOT seal bottom of wallposts or rail to tray.

Allow 24hrs for silicone to fully cure before using the enclosure.

- When installed correctly, Kudos guarantee the enclosure will not leak under normal showering use, ie. when the shower head is in it's normal showering position.
NB - Using the shower head to clean/rinse down the enclosure does not constitute normal showering use.