

 **PLASSON**[®]

Plasson pushfit



Technical Catalogue

2015

Global Presence - Local Commitment

www.plasson.co.uk

 **PLASSON**[®] **UK**



Plasson pushfit

Plasson pushfit is a range of innovative fittings created by Plasson, market leader in design and manufacture of reliable fittings for polyethylene pipe systems.

Pushfit fittings provide dedicated solutions for connecting PE pipe to various other pipe materials, such as copper, polybutylene and PEX.

The fittings are WRAS approved and designed to withstand 16 bar pressure rating. Inserting the pipe up to the fitting stop creates both the seal and the grip on the pipe.

The compact and attractive design makes the fitting ideal for the plumbing market, where space is limited and appearance is crucial. Simplicity of assembly makes both the professional and occasional user's job easier whilst retaining Plasson reliability.

Plasson pushfit features and benefits include:

- **Range of fittings from 20mm-63mm**
- **Assembly tools not required, simply push to Fit**
- **Compact size allows assembly in confined spaces**
- **Provides connectivity of Polyethylene (MDPE) pipe to MDPE, Copper, PB, PEX and Imperial Pipe**
- **Fully reusable**
- **Fully end loaded performance so no need to restrain joints**
- **Lightweight and maintenance free**
- **50 year design life**

Technical Specifications

Materials

Compression Fittings

Body: Polypropylene, high grade copolymer

Nut: High Grade Polypropylene

Split Ring and Grip Ring: Acetal (POM)

Liner: Acetal (POM)

Seal: Nitrile rubber (NBR)

Reinforcing Ring: Stainless steel on all female offtakes from 1¼" up to 2"

Threaded Fittings

Body: Polypropylene, high grade copolymer

Reinforcing Ring: Stainless steel

Brass Threads: CW617

Operating Temperatures

The fittings are not to be used with hot water, although they withstand the same temperature as the polyethylene pipe itself.

The fittings will withstand sub-zero temperatures.

Chemical Resistance

Plasson fittings are supplied, as standard, with polyacetal split and grip rings and NBR seals which are suitable for water.

Operating Pressures and Quality Certificates

Plasson fittings sizes 20-63 are tested and approved according to ISO 14236 to PN16.

Threads

All threads conform to ISO - 7/1, BS 21, DIN 2999, NEN 3258, AS 1722 Part 1.

All external threads are tapered.
All internal threads are parallel.

Legend

UB	Units per bag
UC	Units per carton
W	Weight in grams

Note

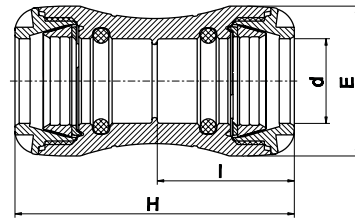
Before installation, ensure that the end of the pipe to be inserted into the fitting is free of scratches and other imperfections and that both the pipe and the fitting itself are free of sand, mud, stones, etc. If fittings are reused replace the split ring and grip ring.

For diameters 40mm and above, chamfering and lubrication of the pipe end will ease insertion (use silicone lubricant).



Coupler

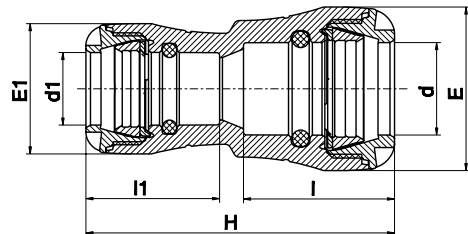
1001



Size d	E	H	I	UB	UC	W
20	41	92	45	5	260	64
25	47	98	48	5	200	80
32	58	108	53	5	120	126
40	70	142	70	—	90	234
50	85	158	78	—	55	369
63	103	183	90	—	30	620

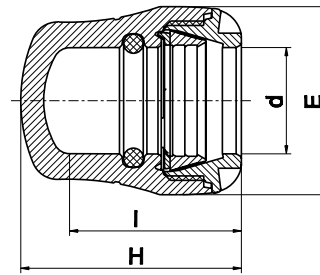
Reducing Coupler

1011



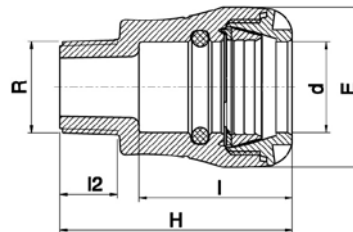
Size d x d1	E	H	I	E1	I1	UB	UC	W
25 x 20	47	100	48	41	45	5	200	75
32 x 20	58	106	54	41	45	5	160	95
32 x 25	58	110	54	47	48	5	160	109
40 x 32	70	139	71	58	55	—	100	196
50 x 25	85	151	79	47	51	—	80	262
50 x 32	85	152	79	58	55	—	75	285
50 x 40	85	165	77	58	53	—	65	326
63 x 32	103	172	91	58	55	—	45	446
63 x 40	103	183	91	70	71	—	40	485
63 x 50	103	187	91	85	81	—	35	542

End Plug

1012


Size d	E	H	I	UB	UC	W
20	41	56	45	5	360	39
25	47	60	48	5	300	50
32	58	68	53	5	220	82
40	70	90	71	—	150	146
50	85	102	79	—	100	229
63	103	117	91	—	55	379

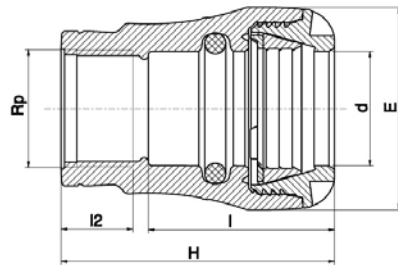
Male Adaptor

1002


Size d x R	E	H	I	I ₂	UB	UC	W
20 x 1/2"	41	70	45	16	5	340	41
20 x 3/4"	41	71	45	17	5	300	41
25 x 1/2"	47	70	48	16	5	300	52
25 x 3/4"	47	76	48	17	5	280	52
25 x 1"	47	78	48	19	5	260	55
32 x 3/4"	58	82	55	17	5	200	83
32 x 1"	58	84	55	19	5	200	86
32 x 1 1/4"	58	86	55	21	5	200	90
32 x 1 1/2"	58	86	55	21	5	200	94
32 x 2"	58	97	55	25	5	—	—
40 x 1"	70	104	73	19	—	140	145
40 x 1 1/4"	70	106	73	21	—	135	149
40 x 1 1/2"	70	106	73	21	—	130	152
50 x 1"	85	125	78	19	—	90	231
50 x 1 1/4"	85	122	78	21	—	90	231
50 x 1 1/2"	85	114	81	21	—	90	226
50 x 2"	85	118	81	25	—	85	232
63 x 1 1/2"	103	125	92	19	—	50	377
63 x 2"	103	129	92	25	—	50	367

Female Adaptor

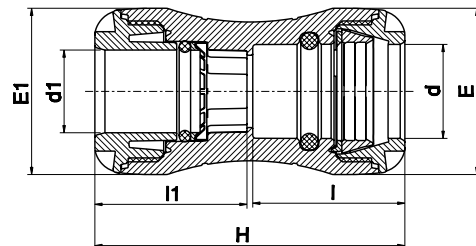
1003



Size d x Rp	E	H	l	l ₂	UB	UC	W
20 x 1/2"	41	67	45	17	5	340	43
20 x 3/4"	41	71	45	18	5	320	45
25 x 1/2"	47	70	48	17	5	300	52
25 x 3/4"	47	71	48	18	5	280	52
25 x 1"	47	80	48	21	5	280	60
32 x 3/4"	58	77	54	18	5	200	78
32 x 1"	58	79	54	21	5	200	81
32 x 1 1/4"	58	90	54	24	5	160	112
40 x 1"	70	97	70	21	—	140	153
40 x 1 1/4"	70	100	70	24	—	135	171
40 x 1 1/2"	70	103	70	24	—	130	171
50 x 1 1/4"	85	110	78	24	—	90	241
50 x 1 1/2"	85	110	78	24	—	90	247
50 x 2"	85	118	78	29	—	80	252
63 x 1 1/2"	103	125	90	24	—	50	378
63 x 2"	103	129	90	29	—	45	379

Coupler PE x Copper (table X)/PB/PEX

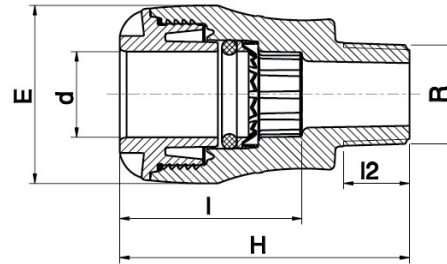
1001C



Size d x d ₁	E	H	l	E ₁	l ₁	UB	UC	W
20 x 15	41	92	45	41	46	5	260	68
25 x 15	47	100	48	41	46	5	200	79
25 x 22	47	98	48	47	48	5	180	81
32 x 28	58	108	53	58	53	5	120	131
40 x 28	70	139	71	58	55	—	120	203

Male Adaptor to Copper (table X)/PB/PEX

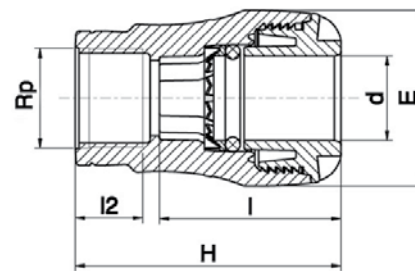
1002C



Size d x R	E	H	l	l2	UB	UC	W
15 x 3/4"	41	71	45	17	5	300	47
22 x 3/4"	47	76	48	17	5	300	51
28 x 1"	58	84	55	19	5	180	91

Female Adaptor to Copper (table X)/PB/PEX

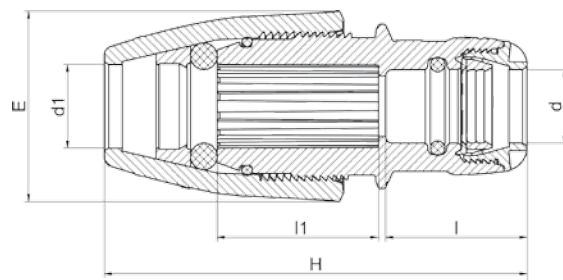
1003C



Size dxRp	H	E	l	l2	UB	UC	W
15 x 3/4"	71	41	45	18	5	300	48
22 x 3/4"	71	47	48	18	5	280	55

Universal Coupler PE x Universal

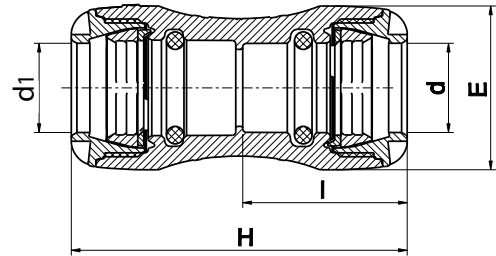
10017



Size dxd1	H	E	l	l1	UB	UC	W
25 x 14-18	117-137	54	48	47	5	180	130
25 x 19-22	119-130	57	48	47	5	150	141
25 x 24-28	130-142	66	48	55	5	120	180

Coupler Metric to Imperial

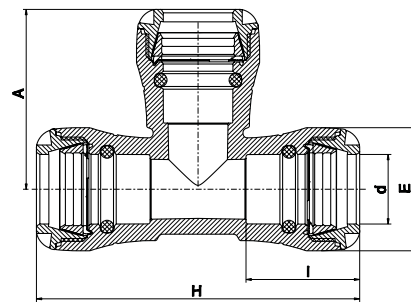
1001M



Size d x d1	E	H	I	UB	UC	W
20 x 1/2"	41	92	45	5	250	62
25 x 1/2"	47	100	48	5	240	76
25 x 3/4"	47	98	48	5	200	80
32 x 1"	58	108	53	5	120	130

Tee

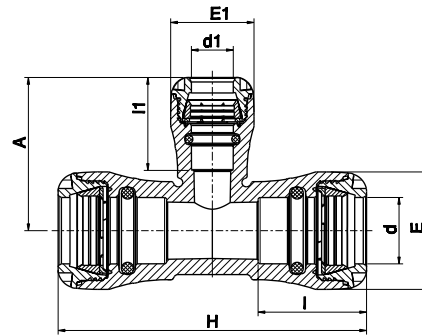
1004



Size d	E	H	A	I	UB	UC	W
20	41	123	71	45	5	140	103
25	47	134	78	48	5	100	137
32	58	152	84	54	5	60	221
40	70	192	108	70	—	45	429
50	85	214	124	78	—	30	667
63	103	262	147	90	—	14	1157

Reducing Tee

1034

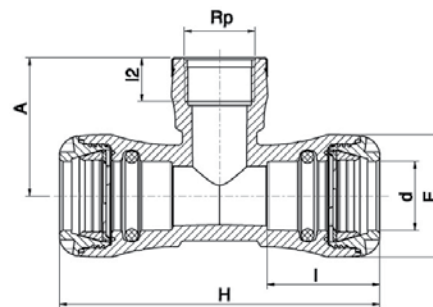


Size d x d1 x d	H	A	E	E1	l	l1	UB	UC	W
25 x 20 x 25	134	73	47	41	48	46	5	120	127
32 x 20 x 32	152	75	58	41	54	46	5	80	185
32 x 25 x 32	152	81	58	47	54	49	5	80	195
40 x 25 x 40	192	86	70	47	70	49	—	—	—
40 x 32 x 40	192	93	70	58	70	54	—	—	—
50 x 25 x 50*	214	90	85	47	78	49	—	—	—
50 x 32 x 50*	214	98	85	58	78	54	—	—	—
63 x 25 x 63*	262	96	103	47	90	49	—	—	—
63 x 32 x 63*	262	100	103	58	90	54	—	—	—

* Estimated Availability: Q2-2015

Tee Female Threaded

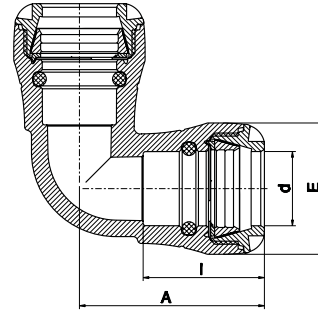
1014



Size d x Rp	E	H	A	l	l2	UB	UC	W
20 x 1/2"	41	123	43	45	17	5	200	84
20 x 3/4"	41	123	46	45	18	5	180	87
20 x 1"	41	123	52	45	21	5	180	99
25 x 1/2"	47	134	46	48	17	5	140	105
25 x 3/4"	47	134	48	48	18	5	140	107
25 x 1"	47	134	54	48	21	5	140	114
32 x 3/4"	58	152	52	54	18	5	80	172
32 x 1"	58	152	55	54	21	5	80	183
32 x 1 1/4"	58	152	63	54	24	5	60	215

Elbow

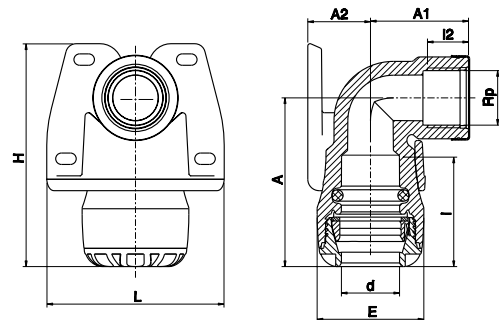
1005



Size d	E	A	I	UB	UC	W
20	41	67	45	5	200	75
25	47	73	48	5	160	96
32	58	81	54	5	100	157
40	70	106	70	—	65	291
50	85	119	78	—	40	462
63	103	141	90	—	25	799

Wall Plate Elbow

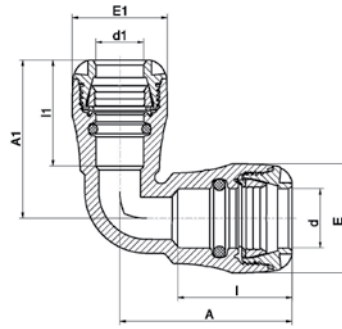
1075



Size d x Rp	E	I	I2	A	A1	A2	L	H	UB	UC	W
20 x 1/2"	41	45	17	67	39	28	73	95	5	160	92
20 x 3/4"	41	45	18	67	43	28	73	95	5	160	96
25 x 1/2"	47	48	17	74	40	28	78	98	5	140	110
25 x 3/4"	47	48	18	74	43	28	78	98	5	140	116

Reducing Elbow

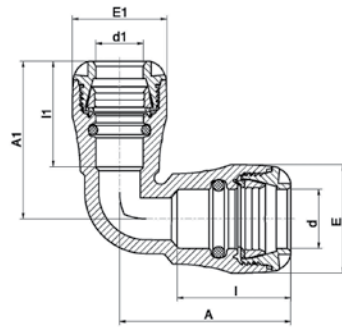
1051



Size dxd1	A	E	l	A1	E1	l1	UB	UC	W
25x20	74	47	48	68	41	46	5	160	90

Elbow Metric to Imperial

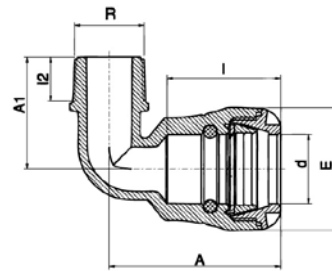
1005M



Size dxd1	A	E	l	A1	E1	l1	UB	UC	W
25x1/2"	74	47	48	68	41	46	5	180	89
25x3/4"	73	47	48	73	47	48	5	160	101

Male Elbow

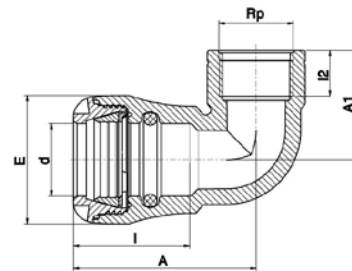
1085



Size d x R	E	A	l	A1	l2	UB	UC	W
20 x 1/2"	41	66	45	41	16	5	300	47
20 x 3/4"	41	66	45	42	17	5	300	52
25 x 1/2"	47	74	48	44	16	5	280	57
25 x 3/4"	47	74	48	45	17	5	240	64
25 x 1"	47	74	48	47	19	5	220	65
32 x 3/4"	58	81	53	51	17	5	180	90
32 x 1"	58	81	53	53	19	5	180	92
32 x 1 1/4"	58	81	53	54	21	5	140	114
40 x 1"	70	107	71	57	19	—	110	173
40 x 1 1/4"	70	107	71	58	21	—	100	189
40 x 1 1/2"	70	107	71	60	21	—	100	194
50 x 1 1/4"	85	122	79	68	22	—	65	275
50 x 1 1/2"	85	122	79	68	21	—	65	290
63 x 1 1/4"	103	143	90	76	22	—	40	445
63 x 1 1/2"	103	143	90	78	21	—	40	458
63 x 2"	103	143	90	81	25	—	40	492

Female Elbow

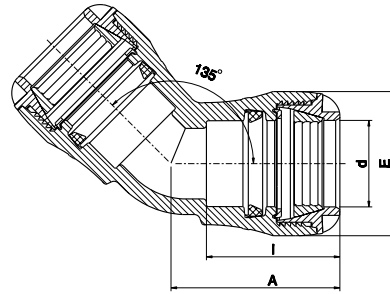
1015



Size d x Rp	E	l	A	A1	l2	UB	UC	W
20 x 1/2"	41	45	67	39	17	5	240	51
20 x 3/4"	41	45	67	43	18	5	240	55
20 x 1"	41	45	67	49	21	5	240	64
25 x 1/2"	47	48	74	40	17	5	220	63
25 x 3/4"	47	48	74	43	18	5	200	70
25 x 1"	47	48	74	50	21	5	180	82
32 x 3/4"	58	54	83	45	18	5	180	95
32 x 1"	58	54	83	49	21	5	160	111
32 x 1 1/4"	58	54	83	60	24	5	120	145
40 x 1"	70	72	107	51	21	—	110	179
40 x 1 1/4"	70	72	107	61	24	—	100	226
40 x 1 1/2"	70	72	107	65	24	—	90	244
50 x 1 1/2"	85	79	119	63	24	—	60	330
50 x 2"	85	79	119	75	29	—	55	349
63 x 2"	103	90	141	70	29	—	35	534

45° Elbow

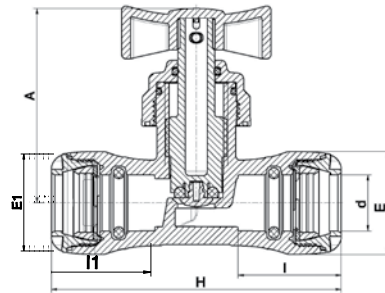
1006



Size d	E	I	A	UB	UC	W
32	58	54	67	5	120	147
40	70	71	88	—	80	263
50	85	79	100	—	40	428
63	103	90	118	—	25	719

Stop Tap Above & Below Ground

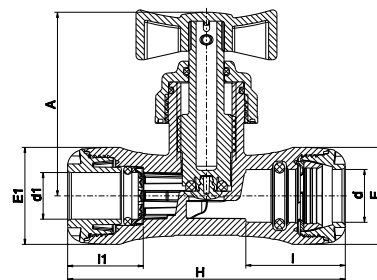
0341



Size d x d	H	A	E	I	E1	I1	UB	UC	W
20x20	123	89	41	45	—	—	5	100	145
25x25	134	89	47	48	—	—	5	100	167
25X20	129	89	47	48	42	45	5	100	161
32x32	152	89	47	48	—	—	5	80	225

Stop Tap PE x Copper (table X)/PB/PEX

0341C



Size d x d1	H	A	E	E1	I	I1	UB	UC	W
20 x 15	123	89	41	41	45	45	5	100	149
25 x 15	129	89	47	42	48	46	5	100	165
25 x 22	134	89	47	47	48	48	5	100	171
32 x 28	152	89	58	58	54	54	5	80	223

Pushfit Wrench

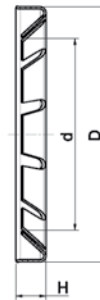
1099

Size	UB	UC	W
20 - 32	1	300	57
40 - 63	1	100	285



Grab Ring for Copper Pipe Adaptor

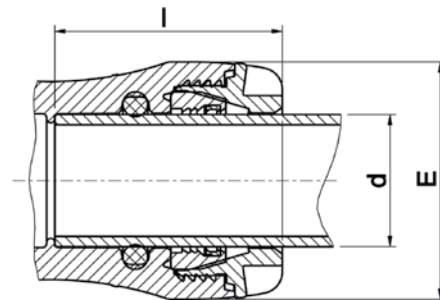
10008C



Size d	D	H	UB	UC	W
15	21	1.9	50	6000	1
22	28	2.0	50	5000	1
28	34	2.2	50	3000	1

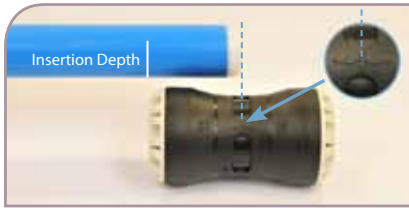
PVC Pipe Adaptor Kit

New 1091Q

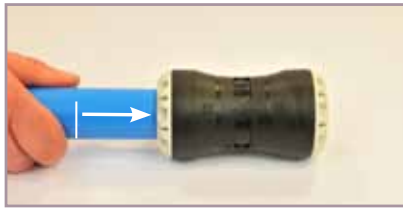


Size d	E	I	UB	UC	W
25	47	50	—	500	26
32	58	55	—	400	31
40	70	72	—	300	56

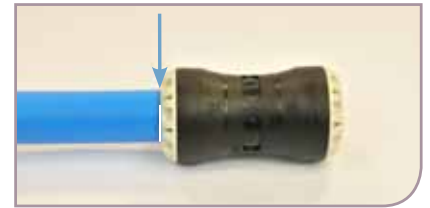
Pushfit Assembly



Insert liner into pipe then measure and mark correct insertion depth against fitting as shown.



Push pipe into fitting up to the mark ensuring the pipe has been pushed passed the internal O-ring.



Make sure the mark on the pipe is inline with the end of the fitting.

Note: For assembly of copper/PB/PEX, follow instructions above but ensure pipe manufacturers liner is fitted where applicable as per their instructions.

Pushfit Disassembly



Using the Pushfit wrench, turn the nut anticlockwise to release pipe from fitting.



If the fitting is to be reused, the split ring, grip ring, and nut **MUST** be inserted in the order shown.



The metal grip ring in the copper/PB/PEX fittings **MUST** be replaced if the fitting is reused. Reassemble in the order shown.

Pushfit Universal



Prepare the pipe by removing any unsound material adhering to the pipe then cut and de-burr pipe as necessary.

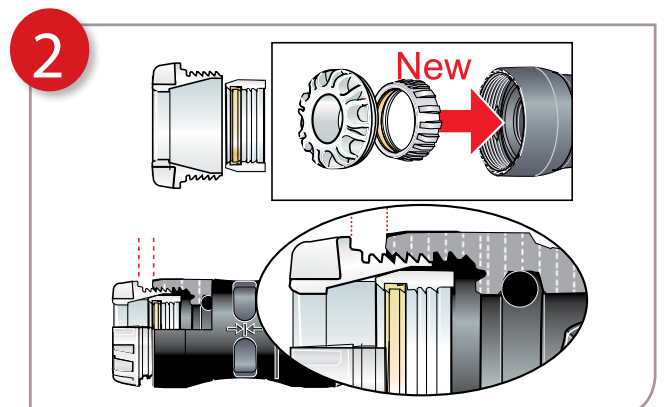
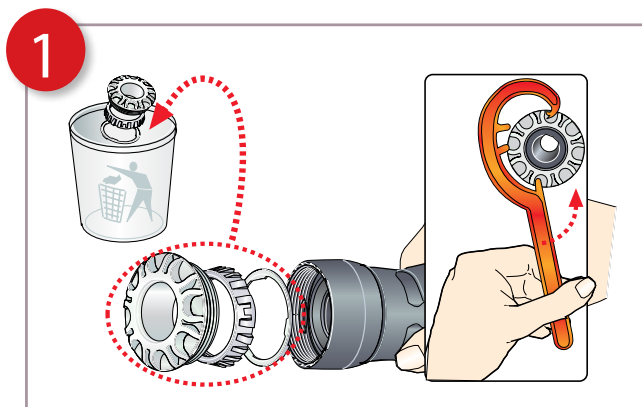


Push the pipe into the fitting up to the internal stop.



Tighten firmly using a Plasson wrench or similar.

Assembly Instructions PVC Pipe Kit





Global
Presence
Local
Commitment

Plasson UK Ltd. Plasson House, Albert Drive, Burgess Hill, West Sussex RH15 9TN.
Tel: 01444 244446 | Fax: 01444 258683 | Email: sales@plasson.co.uk

Global Presence - Local Commitment

www.plasson.co.uk

 **PLASSON**[®] **UK**