

VOGUE GEN2 COMBI.

C26 C32 C40

HIGH EFFICIENCY COMBINATION BOILERS



KEY FEATURES

- Backlit 3.5" LCD full colour display
- Built using premium components
- 8 year warranty as standard, 10 year warranty when installed with an Ideal System Filter
- Low lift weight from 32.4kg (up to 2.6kg lighter than previous models)
- Multi-function buttons for simplified end user operation
- Easy to read pressure gauge
- Uniform control opening across all Ideal products
- Quick installation – single piece unit

RELIABLE

- 24V gas valve replacing 230V providing reliability improvement
- Hydrobloc incorporating a 24V stepper for improved reliability

EASY TO INSTALL

- Long maximum flue lengths with easy access sampling points
- Pre-wired mains lead (2m) simplifying installation

PRODUCT INTELLIGENCE

- Cool door technology
- Up to 7:1 modulation
- Large 10 litre expansion vessel
- Service display and installer phone number input
- Rotary control for easier user operation

PREMIUM COMPONENTS

- Stylish aesthetics with full size door complete with damped opening
- Stainless steel heat exchanger
- Low energy modulating UPM3 Grundfos pump
- Control box with push-in cable clamps and upgraded display capability

IDEAL SYSTEM FILTER
10 YEAR WARRANTY ON
VOGUE GEN2 WHEN INSTALLED
WITH AN IDEAL SYSTEM FILTER.



*10 year warranty when installed with an Ideal filter. 8 years parts & labour warranty as standard. Terms and conditions apply.



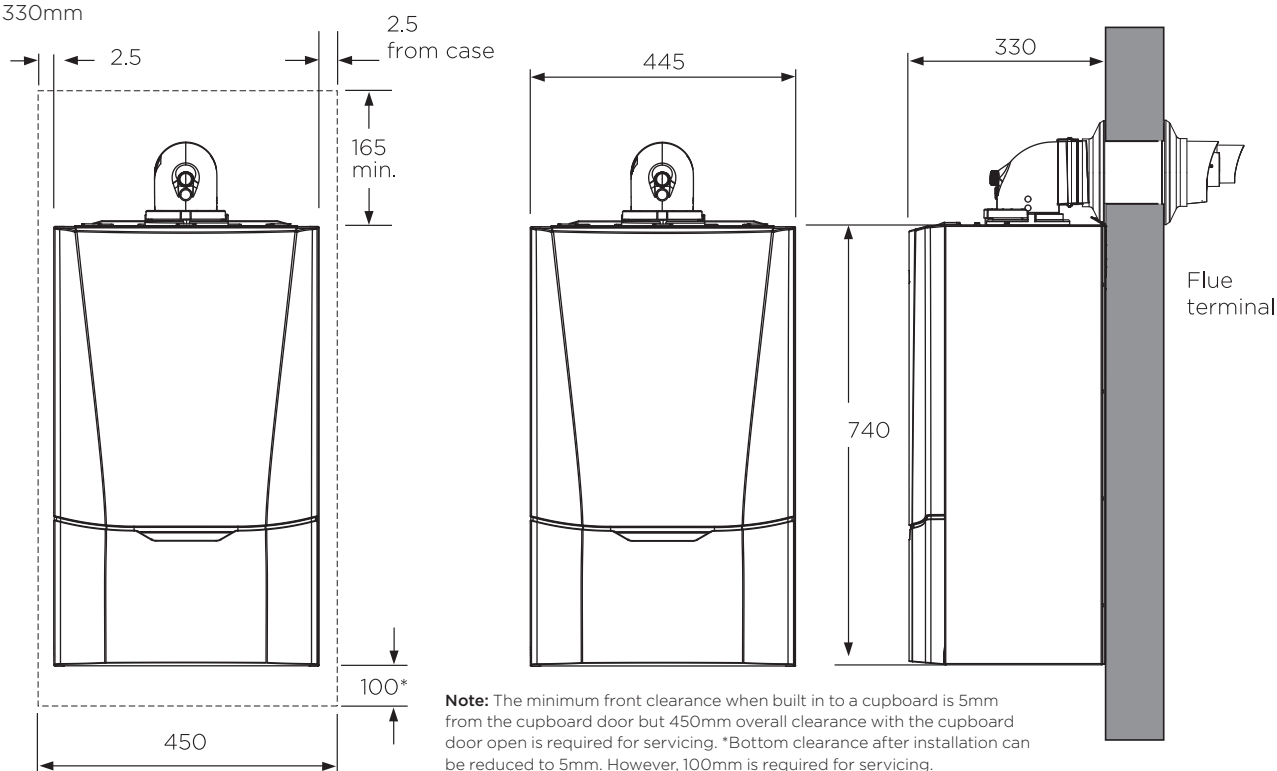
8 YEAR WARRANTY
AS STANDARD



CLEARANCES & DIMENSIONS.

Height: 740mm
 Width: 445mm
 Depth: 330mm

DIMENSIONS IN MM



TECHNICAL SPECIFICATIONS.

	COMBI C26	COMBI C32	COMBI C40
Weight (packaged) kg	37.6	38.9	40.9
Max installation weight kg	32.4	33.8	35.4
CH output (kW) min/max @ 70°C	3.7 - 18.0	4.6 - 26.0	5.7 - 32.0
CH output (kW) min/max @ 40°C	4.0 - 19.3	4.9 - 27.9	6.1 - 34.3
DHW output (kW) max	26	32	40
DHW flow rate l/min. 35°C rise	10.6	13.1	16.4
SEDBUK rating (2005) %	91	91.1	91
SEDBUK rating (2009/2012) %	89.1	89.2	89.1
NOx classification	CLASS 5	CLASS 5	CLASS 5
Adjustable to LPG	Yes	Yes	Yes
Max horizontal flue	10m	8m	8m
Max vertical flue	10m	10m	10m
Condensing boiler	Yes	Yes	Yes
Seasonal space heating efficiency class	A	A	A
Rated heat output kW	18	26	32
Seasonal space heating energy efficiency η_s %	92.7	93.1	93
Sound power level, indoors L _{WA} dB	47	50	49
Water heating energy efficiency class	A	A	A