

VOGUE GEN2 SYSTEM.

S15 S18 S26 S32

HIGH EFFICIENCY SYSTEM BOILERS



KEY FEATURES

- Backlit 3.5" LCD full colour display
- Built using premium components
- Low lift weight from 30.7kg (up to 1.6kg lighter than previous models)
- Multi-function buttons for simplified end user operation
- Easy to read pressure gauge
- Uniform control opening across all Ideal products

RELIABLE

- 10 year warranty when installed with an Ideal filter*
- 24V gas valve replacing 230V providing reliability improvement
- Hydrobloc incorporating a 24V stepper for improved reliability

EASY TO INSTALL

- Quick installation – single piece unit
- Long maximum flue lengths with easy access sampling points
- Pre-wired mains lead (2m) simplifying installation

PRODUCT INTELLIGENCE

- Cool door technology
- Up to 7:1 modulation
- Large 10 litre expansion vessel
- Service display and installer phone number input
- Rotary control for easier user operation

PREMIUM COMPONENTS

- Stylish chassis with full size door complete with damped opening
- Stainless steel heat exchanger
- Low energy modulating UPM3 Grundfos pump
- Control box with push-in cable clamps and upgraded display capability

IDEAL SYSTEM FILTER
10 YEAR WARRANTY ON
VOGUE GEN2 WHEN INSTALLED
WITH AN IDEAL SYSTEM FILTER.



*10 year warranty when installed with an Ideal filter. 8 years parts & labour warranty as standard. Terms and conditions apply.



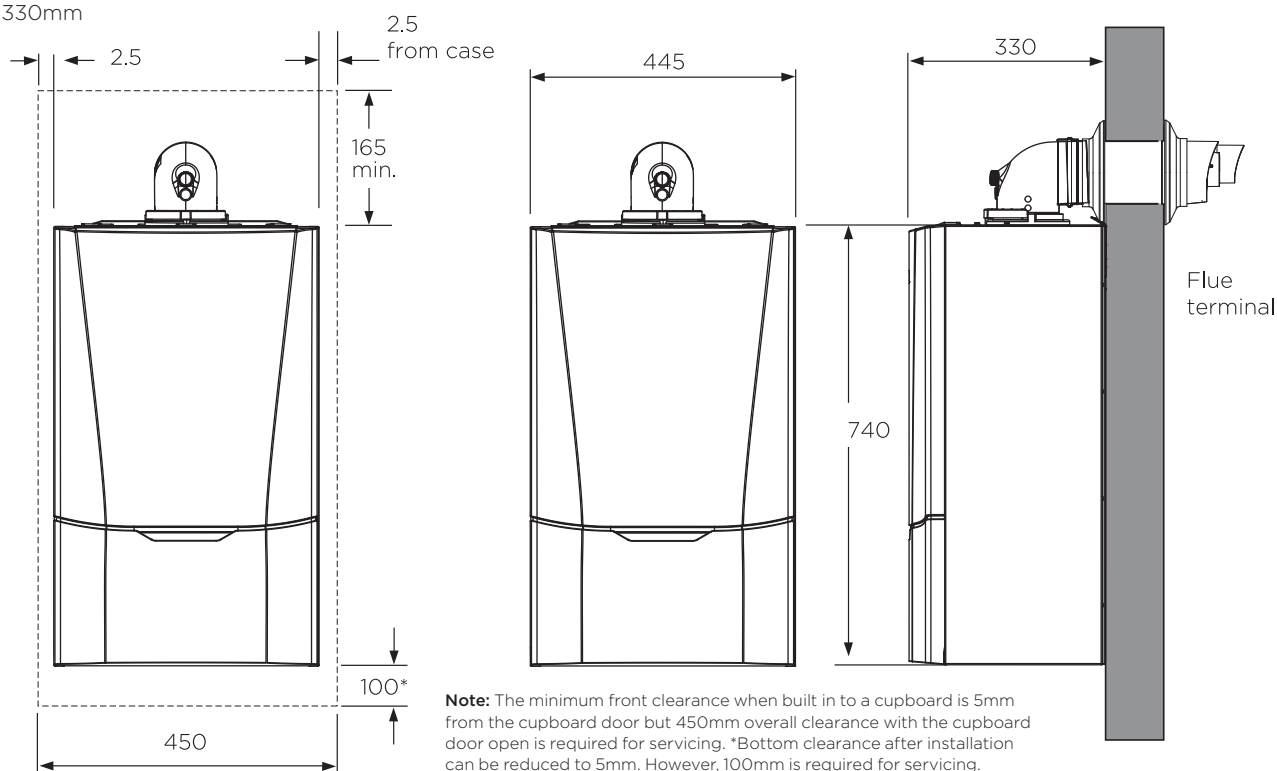
8 YEAR WARRANTY
AS STANDARD



CLEARANCES & DIMENSIONS.

Height: 740mm
Width: 445mm
Depth: 330mm

DIMENSIONS IN MM



TECHNICAL SPECIFICATIONS.

	SYSTEM S15	SYSTEM S18	SYSTEM S26	SYSTEM S32
Weight (packaged) kg	35.5	36.3	37.7	39.7
Max installation weight kg	30.7	31.5	32.9	34.3
CH output (kW) min/max @ 70°C	3.0 - 15.0	3.6 - 18.0	5.2 - 26.0	6.4 - 32.0
CH output (kW) min/max @ 40°C	3.2 - 16.2	3.9 - 19.3	5.6 - 27.9	6.8 - 34.3
DHW output (kW) max	n/a	n/a	n/a	n/a
DHW flow rate l/min. 35°C rise	n/a	n/a	n/a	n/a
SEDBUK rating (2005) %	91	91.1	91.1	91.1
SEDBUK rating (2009/2012) %	88.9	89.3	89.3	89.3
NOx classification	CLASS 5	CLASS 5	CLASS 5	CLASS 5
Adjustable to LPG	Yes	Yes	Yes	Yes
Max horizontal flue	10m	10m	10m	8m
Max vertical flue	10m	10m	10m	10m
Condensing boiler	Yes	Yes	Yes	Yes
Seasonal space heating efficiency class	A	A	A	A
Rated heat output kW	15	18	26	32
Seasonal space heating energy efficiency η_s %	92.4	93.2	93.1	93.2
Sound power level, indoors L _{WA} dB	50	52	52	50
Water heating energy efficiency class	n/a	n/a	n/a	n/a