

# TECHNICAL DATA SHEET



## JAVA

### 1 Hole Bath Shower Mixer

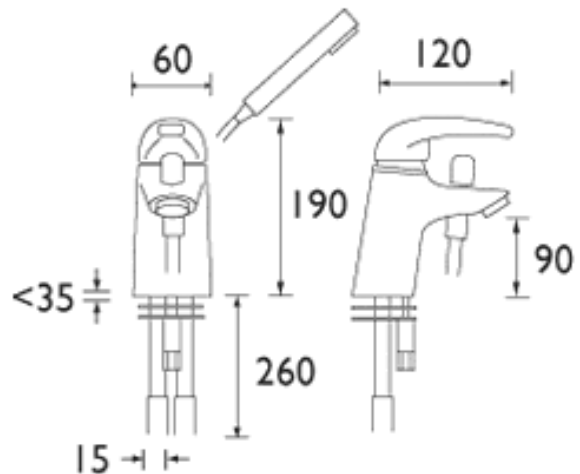
#### Product Specification

**Product Code:** J 1HBSM C  
**Finish:** Chrome  
**Product Type:** Contemporary  
**Construction:** Body is of Brass Construction and is designed to conform to BS EN 200  
**Valve Type:** 45mm Ceramic Cartridge  
**Supply:** Suitable for all plumbing systems, preferably balanced  
**Inlet Connections:** M15 x 15mm Screw-in Copper Pipes  
**Water Pressure:** Min 0.4 bar, Max. 8.0 bar



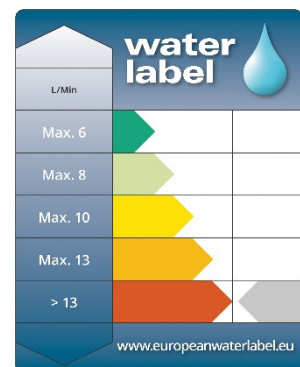
#### Additional Information

- Includes 1.75m hose, wall bracket and single function, rub clean handset
- Supplied with metal handle
- Chrome plated to BS EN 248



#### Flow Rates (litres per minute)

System Pressure	0.4bar	0.5bar	1.0bar	2.0bar	3.0bar	5.0bar
Bath Filler	11.7	13.3	19.6	28.3	35.1	46
Through Handset	6.1	6.9	10.7	16.8	22.7	31.1



**Technical Advice:** For further information please call 0844 7016273

or email [customercare@bristan.com](mailto:customercare@bristan.com)

**Guarantee:** 5 years covering manufacturing faults.

Bristan, Birch Coppice Business Park, Dordon, Tamworth, B78 1SG  
 Telephone: 0844 701 6274 Facsimile: 0844 701 6275  
 Web Site: [www.bristan.com](http://www.bristan.com) Email: [enquire@bristan.com](mailto:enquire@bristan.com)



The information contained on this page was correct at date of issue. Fitting dimensions are provided as a guide only. Some variation may occur due to manufacturing tolerances. Bristan pursues a policy of continuing improvement in design and performance of its products and so reserves the right to change specifications without prior notice.