

ALPHA3 SYSTEM

FOR INSTALLERS



**YOU SAVE TIME,
CUSTOMERS SAVE
ENERGY**

*ALPHA Reader and smart phone are accessories and not included in the ALPHA3 product box.

be
think
innovate

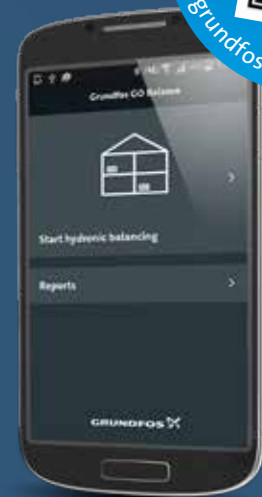
GRUNDFOS 

YOU SAVE TIME, CUSTOMERS SAVE ENERGY

The **new ALPHA3 System** can save you hours of work – and cut your customers' heating bill by up to **17%**.

Proper flow-based hydronic balancing can cut your customers' heating bill by up to 17% – and that's exactly what the ALPHA3 System is made for.

The whole thing will take a couple of hours in an average home – which is a lot less than it would to do a full hydronic balancing the old-fashioned way. And the ALPHA3 System works for every part of a heating system – including underfloor heating.



1. Install the pump

2. Place the ALPHA Reader on the pump
Sold separately

3. Follow the step-by-step instructions in the Grundfos GO Balance app
Download the app in App Store or Google Play

Did you know?

Very few heating systems have ever been balanced properly – so the ALPHA3 System could make a huge difference for almost all your customers.

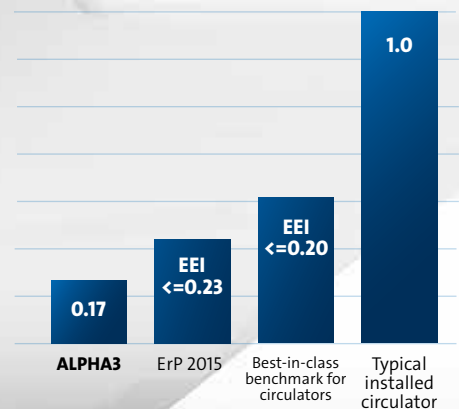




#1 FOR EFFICIENCY

The ALPHA3 System will not only save your customers' energy through balancing – it will also outperform all other small circulators on pure efficiency.

We asked the VDE Institute to test 6 small circulators – and the ALPHA3 came out on top with an Energy Efficiency Index of less than 0.17. In plain words, that means the ALPHA3 uses 83% less energy than your average installed circulator.



ALPHA3 UP CLOSE

Resistant to corrosion and condensation

Because of its cataphoresis surface treatment, the ALPHA3 can pump liquids down to +2° C at any room temperature and humidity.

Magnetite resistance

The ceramic shaft prevents harmful magnetic particles from getting into the pump's critical areas.

Robust start-up

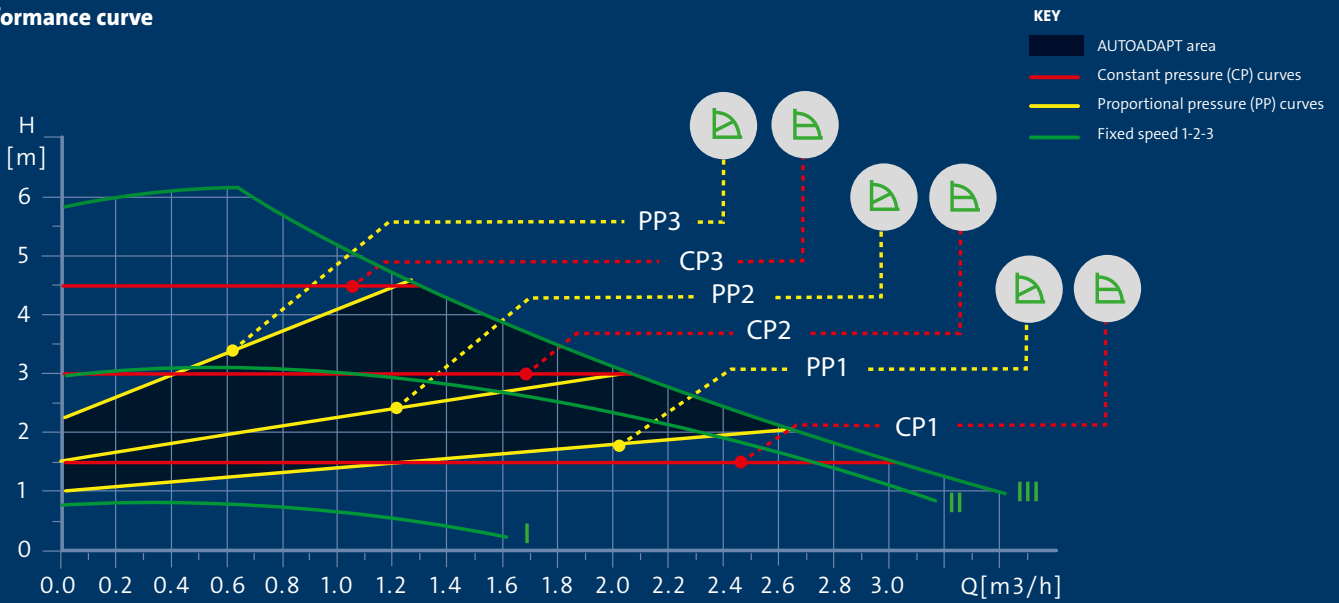
The pump vibrates on start-up to break up dirt deposits that may have formed during a standstill.

AUTOADAPT

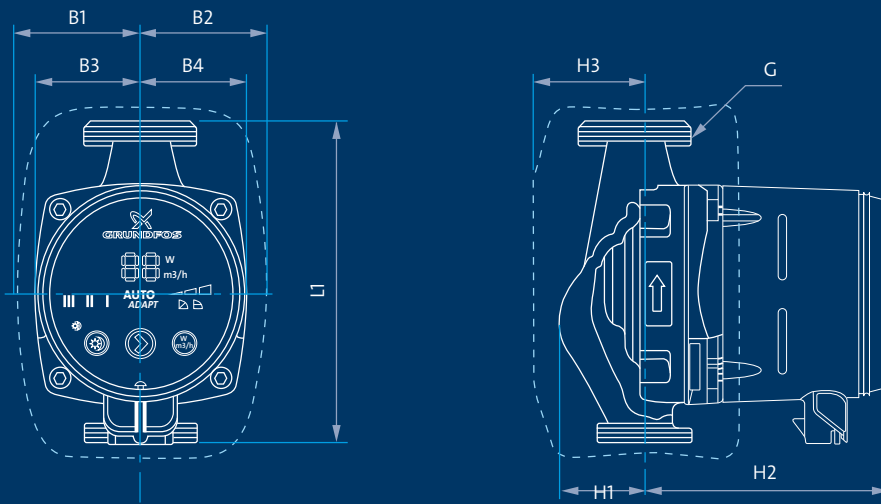
AUTOADAPT automatically selects the best duty point in a 2-string radiator system. In most cases, the best thing you can do is just power on the pump and leave.



Performance curve



Dimensions



Pump Type	Dimensions [mm]						Weights [kg]		Ship. vol. [m³]			
	L1	B1	B2	B3	B4	H1	H2	H3		G	Nett	Gross
ALPHA3 15-50/60	130	60.5	60.5	44.5	44.5	35.8	103.5	52	G 1½	1.8	2.0	0.00364

Note: Increased H1 size vs older ALPHA2 and UPS models

Technical Data ALPHA3 15-50/60 130 (98890833)

Flow rate Q _{max} :	3.4 m³/h
Head max:	5/6m
Pumped liquid temperature:	+2°C to +110°C
Port to port:	130mm
Sound pressure level:	≤43 dB(A)
Pipe connection:	G 1½"
Ambient temperature:	0°C to 40°C
Housing material:	Cast Iron
Energy Efficiency Index (EEI):	EEI ≤0.17

Install the Grundfos GO Balance app

Easy Installation
Install the Grundfos GO Balance app on your phone or tablet and get access to full hydronic balancing with data from Grundfos ALPHA3 pumps.

Grundfos GO Balance is the only mobile platform for hydronic balancing on the market and is designed to save valuable time on hydronic balancing and reporting.



Grundfos Pumps Ltd
Grovebury Road,
Leighton Buzzard,
Beds. LU7 4TL
Tel: 01525 850000 Fax: 01525 850011
Email: grundfosuk@grundfos.com
www.grundfos.co.uk

