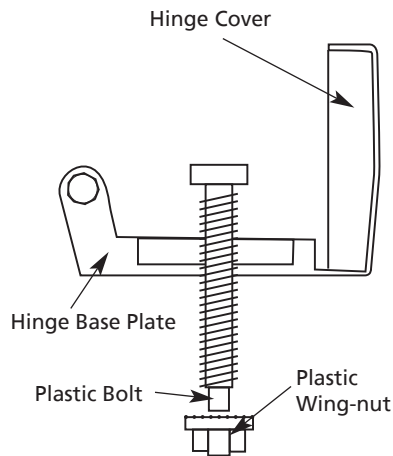


TOILET SEATS

► Hinge fitting instructions for Emerald and Sapphire

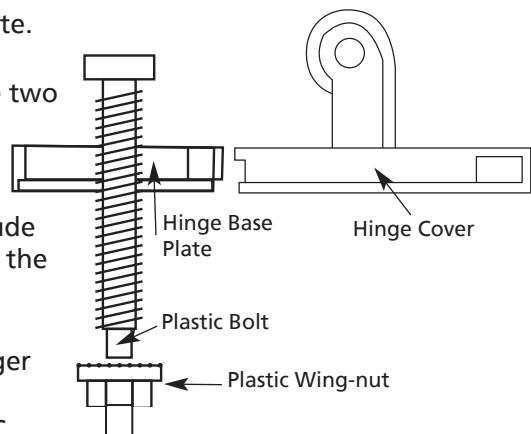
Emerald

- Open hinge cover and insert the plastic bolt into the base plate.
- Close hinge cover and ensure both corner catches are fully engaged.
- Place seat with assembled hinges onto WC pan so that the plastic bolts protrude through the fixing holes at rear of pan.
- Secure with plastic wing nuts from underside of WC pan, until almost finger tight.
- Adjust seat to required position on WC pan and firmly tighten plastic wing-nuts.



Sapphire

- Insert the plastic bolt into the base plate.
- Slide hinge base plate with assembled parts into rear of hinge cover until the two pronged clips click into position either side of the hinge cover.
- Place seat with assembled hinges onto WC pan so that the plastic bolts protrude through the fixing holes at the rear of the pan
- Secure using plastic wing-nuts from underside of WC pan, until almost finger tight.
- Adjust seat to required position on WC pan and firmly tighten plastic wing-nuts.



Code:	PM01EMSP
Issue No.	01
Date:	10/11/2015

WIRQUIN Ltd.

Warmsworth Halt Industrial Estate, Warmsworth, Doncaster DN4 9LS
 Technical/After-sales Tel: 0044 (0) 333 222 4488
 Email: aftersales@wirquin.co.uk
 www.celmac-wirquin.co.uk

Celmac
wirquin