



# LOGIC+ COMBI.

C24 C30 C35

## HIGH EFFICIENCY COMBINATION BOILERS



### KEY FEATURES

- Easy to see pressure gauge
- Large backlit display with user friendly controls
- Low lift weight (starting from 29.2kg)
- Low component count maximising reliability

### RELIABLE

- Award winning range
- Energy Saving Trust endorsed
- 7 year parts and labour warranty\*
- Built-in frost protection\*\*
- Fully modulating operation to low outputs
- Automatic bypass
- Built-in filling loop
- Pre-heat function
- Service indication
- Latest generation Honeywell gas valve
- Simple diverter valve design with no dynamic seals

### EASY TO INSTALL

- Compact cupboard fit
- Wide range of additional flueing options
- Preformed copper tails and pre-wired mains lead
- PRV wall outlet pipe included
- Universal condensate connection
- Compatible with a range of additional controls inc. weather compensation and OpenTherm controls
- LPG conversion kit available for 30 kW boilers



\* 7 year warranty available until 31.12.2016.  
Subject to terms and conditions. 7 year parts and labour warranty available when registered within 30 days of installation.  
\*\* Permanent live connection required.



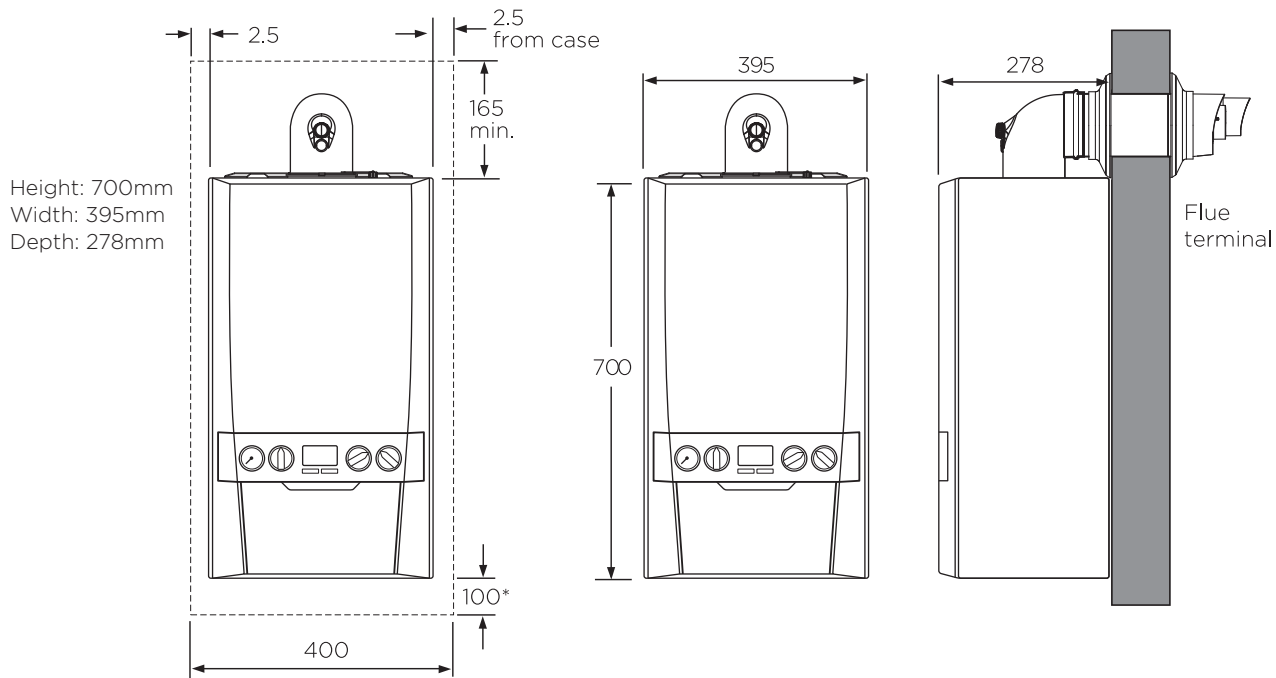
Ideal Boilers  
PO Box 103, National Avenue  
Kingston upon Hull  
East Yorkshire, HU5 4JN

T: 01482 492251  
ideal@idealboilers.com

WWW.IDEALBOILERS.COM

# CLEARANCES & DIMENSIONS.

DIMENSIONS IN MM



**Note:** The minimum front clearance when built in to a cupboard is 5mm from the cupboard door but 450mm overall clearance with the cupboard door open is required for servicing. \*Bottom clearance after installation can be reduced to 5mm. However, 100mm is required for servicing.

# TECHNICAL SPECIFICATIONS.

BOILER MODEL	C24	C30	C35
Weight (packaged) kg	34.0	34.1	34.2
Max installation weight kg	29.2	29.3	29.4
CH output (kW) min/max mean 70°C	4.8 - 24.2	6.1 - 24.2	7.1 - 24.2
CH output (kW) min/max mean 40°C	5.1 - 25.6	6.4 - 25.6	7.5 - 25.6
DHW output (kW) max	24.2	30.3	35.3
DHW flow rate l/min. 35°C rise	9.9	12.4	14.5
SEDBUK rating (2005) %	91.1	91.1	91.1
SEDBUK rating (2009/2012) %	89.6	89.6	89.6
NOx classification	CLASS 5	CLASS 5	CLASS 5
Convert to LPG	No	Yes	No
Max horizontal flue*	9m	8m	6m
Max vertical flue*	7.5m	7.5m	7.5m
Powered vertical flue†	22m	22m	22m
Condensing boiler	Yes	Yes	Yes
Seasonal space heating efficiency class	A	A	A
Rated heat output kW	24	24	24
Seasonal space heating energy efficiency $\eta_s$ %	94	94	94
Sound power level, indoors L <sub>WA</sub> dB	48	46	44
Water heating energy efficiency class	A	A	A

Multiple flue kits available.

\* Each 90° elbow used is at the expense of 1000mm of straight flue run, and each 45° elbow is used at the expense of 600mm of straight flue run.  
† Typical combined primary and secondary length. See installation instructions for more details. Note: The Flue Deflector Kit is used at the expense of 1000mm of straight flue run.