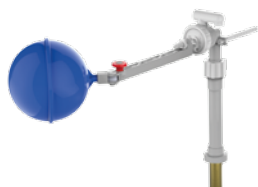




CISTERN COMPONENTS

Dudley flushing syphons, flushing valves and inlet valves have long been the cistern components of choice for thousands of installers across the UK and overseas.

Our products are designed to make installation and servicing simple and are rigorously tested before being made available to customers.



SAVING WATER

Turbo 88 syphons, Niagara valves and Hydroflo inlet valves support the Code for Sustainable Homes, BREEAM and other initiatives and are proven to significantly reduce water consumption in both domestic and commercial exposed and concealed cisterns.

SAVING TIME AND MONEY

They have been developed with the installer firmly in mind and can be quickly and easily fitted and maintained.

SPARES READILY AVAILABLE

Spares are also readily available.

Please see pages 68-73, visit spares.thomasdudley.co.uk or call us on 0121 530 7000 (Sales).

Finding the perfect cistern component for every project.

	TURBO 88 (PAGE 12)	TURBO S44R (PAGE 13)	TURBO S1-11 (PAGE 13)	S7 CASCADE (PAGE 13)	S9 HI-FLO (PAGE 13)	JAPTIC (PAGE 13)	NIAGARA (PAGE 11)	VICTORIA (PAGE 11)	HYDRO-FLO (PAGE 14)	TETRA/BETA (PAGE 16)
FLUSHING SYPHON	•	•	•	•	•	•				
FLUSHING VALVE							•	•		
INLET VALVE									•	•
WATER-SAVING	•						•	•	•	

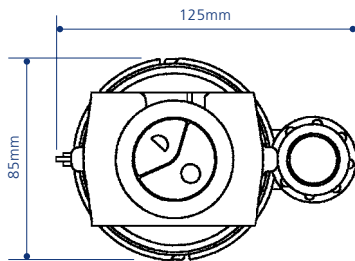
DUDLEY NIAGARA® MECHANICAL DUALFLUSH VALVE



CODE: 313348



CHROME PLATED
PUSHBUTTON



WATER TECHNOLOGY LIST

BUSINESSES CAN WRITE OFF 100% OF INVESTMENT IN THE NIAGARA AGAINST TAX IN THE YEAR OF INVESTMENT

USES

- Ideal for use as a replacement in most ceramic or plastic exposed cisterns with an internal height of 330mm - 408mm.

FEATURES

- Stylish chrome plated pushbutton sits neatly in the cistern lid and incorporates easily recognisable segments for full and reduced flushes.
- Bayonet fitting enables valve body to be simply removed from the cistern. Maintenance can then be carried out in minutes without disconnecting the water supply or dismantling the cistern.

- Long life silicon rubber seal.
- 51mm (2") outlet.
- WRAS approved.
- 6/4 litre dualflush or 6 litre single flush pneumatic version can be fitted as a replacement in Dudley Vantage, Miniflo and Royal Pushflo cisterns and as a replacement in most concealed cisterns when installed in conjunction with a Dudley pushbutton.

WATER-SAVING

- 6/4 litre dualflush.
- Water Technology List registered.

DUDLEY NIAGARA® PNEUMATIC DUALFLUSH VALVE



CODE: 327628



USES

- Ideal for use as a replacement in most concealed cisterns when fitted with Dudley pushbuttons plates or sensors and supplied as standard in Vantage, Miniflo and Royal cisterns.

FEATURES

- Bayonet fitting enables valve body to be simply removed from the cistern. Maintenance can then be carried out in minutes without disconnecting the water supply or dismantling the cistern.

- Long life silicon rubber seal.
- 51mm (2") outlet.
- WRAS approved.

WATER-SAVING

- 6/4, 5/3, 4/2.6L dualflush converts to 6 or 4L single flush.

OPTIONS

- Can be operated by a wide range of pushbuttons, push plates and electronic sensors – see pages 23-26 for details.

DUDLEY VICTORIA™ CABLE OPERATED DUALFLUSH VALVE



CODE: 325648



USES

- An ideal solution to suit most situations where a flushing outlet valve is required.

FEATURES

- Stylish chrome plated pushbutton sits neatly into the lid of the cistern or will fit into the front lever hole of the cistern.

- 38mm (1½") outlet tail, supplied with adaptor for a 51mm (2") outlet.
- Easy adjustment.
- Bayonet fixing allows easy access for maintenance.
- WRAS approved.

WATER-SAVING

- 6/4 litre dualflush.

DUDLEY TURBO 88™



**SERVICED
IN UNDER
5 MINUTES**

**WITHOUT DISCONNECTING WATER
SUPPLY AND DISMANTLING CISTERN**



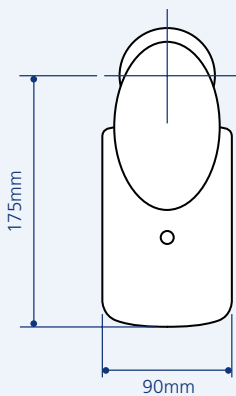
Adjustable version extends from 191mm (7½") to 241mm (9½") to fit most lever operated cisterns.



CODE: 324395

USES

- Ideal for use as a replacement in most ceramic exposed and plastic concealed cisterns.
- Supplied as standard in Dudley Tri-Shell cisterns and available as an optional extra in many others.



FEATURES

- 2-part design enables the syphon body to be simply removed from the cistern leaving the white downleg in position. Servicing can then be completed in under 5 minutes without having to disconnect the water supply and dismantle the cistern.
- New adjustable version extends from 191mm (7½") to 241mm (9½") to provide a convenient solution that fits most lever operated cisterns.
- WRAS approved.
- 38mm (1½") diameter outlet.
- Spares packs readily available.
- Blue body on Turbo adjustable can be retrofitted onto existing Turbo 88 downleg without dismantling a cistern.

WATER-SAVING

- 6/7/9 litre convertible.
- Dudley Duoflush delivers water saving reduced flush when lever is held down and full flush when lever is depressed and released.
- Water Technology List registered.

OPTIONS

SIZES (MM)	SIZES (INCHES)	CODE
178	7	313826
191	7½	316965
203	8	313639
216	8½	319023
229	9	315293
241	9½	313673
254	10	313879
191mm (7½") - 241 (9½") Adjustable		324395



**DUDLEY DUOFLUSH
SAVES WATER**
**FULL FLUSH: DEPRESS
LEVER AND RELEASE**
**REDUCED FLUSH:
DEPRESS LEVER AND HOLD**



**WATER TECHNOLOGY LIST
BUSINESSES CAN WRITE OFF
100% OF INVESTMENT IN THE
TURBO 88 AGAINST TAX IN
THE YEAR OF INVESTMENT**

DUDLEY TURBO 44™ SYPHON

WRAS approved 9 litre 2-part syphon. Suitable for high and low level use. 38mm (1½") outlet. Other sizes available: 8" - 11½".



CODE	MM	INCHES
313326	203	8
318546	216	8½
315749	229	9
313970	241	9½
316300	254	10
319200	267	10½
319764	279	11
316943	292	11½

DUDLEY TURBO S1-11™ SYPHON

WRAS approved 7 or 9 litre 2-part syphon. Suitable for high and low level use. Ideal for well-bottomed cisterns. 38mm (1½") outlet.



CODE	OPTION	MM	INCHES
317449	BRASS OUTLET AND NUTS (RUBBERLINE)	229	9
318743	PLASTIC OUTLET AND NUTS (RUBBERWELL)	229	9

DUDLEY S7 CASCADE™ SYPHON

WRAS approved one piece syphon. Suitable for low level use and 6/7/9 litre convertible. 38mm (1½") outlet.



CODE	MM	INCHES
318876	191	7½
319144	203	8
316267	216	8½
317556	229	9
319551	241	9½

DUDLEY S9 HI-FLO™ SYPHON

WRAS approved one piece syphon. Suitable for high and low level use and 6/7/9 litre convertible. 38mm (1½") outlet.



CODE	MM	INCHES
317963	191*	7½*
315308	203*	8*
313553	229*	9*

*Other sizes available – please enquire.

DUDLEY JAPTIC® SYPHON

One piece 9 litre syphon. Suitable for high and low level use. 38mm (1½") or 32mm (1¼") outlet.



CODE	SIZE
319077	229MM (9")*. 1¼" OUTLET FOR HL
315969	229MM (9")*. 1½" OUTLET FOR HL
319184	229MM (9")*. 1½" OUTLET FOR LL

*Other sizes available – please enquire.

DUDLEY S90 HYDRO™ SYPHON

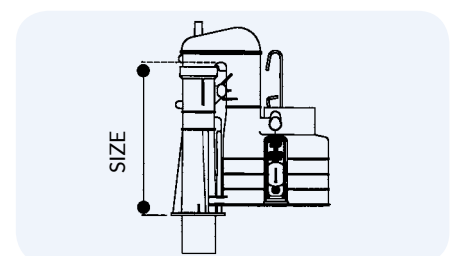
WRAS approved one piece syphon. Suitable for high and low level use and 6/7/9 litre convertible. 38mm (1½") outlet.



CODE	MM	INCHES
317191	229*	9*

*Other sizes available – please enquire.

SYPHON SPILLOVER DIMENSIONS



DUDLEY HYDROFLO®

Quiet Equilibrium Float Valves to BS1212 Part 4



**NEW TELESCOPIC
BOTTOM INLET
BRASS TAIL**

CODE: 324302



**BOTTOM INLET
STANDARD**

CODES: SEE PAGE 15



**TELESCOPIC BOTTOM
INLET STANDARD**

CODE: 320714



**NEW TELESCOPIC
BOTTOM INLET
DELAY FILL**

CODE: 324303



**NEW TELESCOPIC
BOTTOM INLET DELAY
FILL BRASS TAIL**

CODE: 324301



Standard telescopic bottom inlet and delay fill side inlet models

USES

- Designed for use as a replacement in most plastic and ceramic exposed and concealed cisterns.
- Also supplied as standard or as an optional extra in Dudley cisterns.

FEATURES

- Compact body, float arm and float.
- Silence tube for quiet after flush filling.
- Unique key for simple and safe removal of the filter.
- Unique float arm makes it impossible for the float to become detached.
- Two built in backflow prevention devices for one of the safest valves available.
- WRAS approved.

WATER-SAVING

- Delay fill models save water and support the Code for Sustainable Homes and BREEAM by only allowing a cistern to start refilling once flushing is complete.

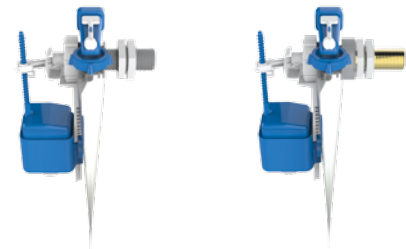
OPTIONS

- Side, bottom and telescopic bottom inlet.
- Brass tails to help prevent cross-threading.
- Delay fill facility.



SIDE INLET STANDARD
CODE: 313079

NEW SIDE INLET BRASS TAIL
CODE: 324299



NEW SIDE INLET DELAY FILL
CODE: 324300

NEW SIDE INLET DELAY FILL BRASS TAIL
CODE: 324298



TELESCOPIC BOTTOM INLET (EXTENDS FROM 8-11½")

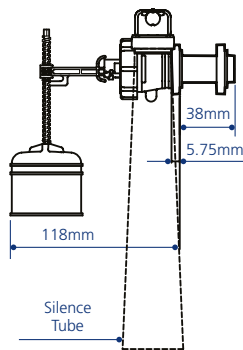
TYPE	CODE
STANDARD	320714
DELAY FILL	324303
BRASS TAIL	324302
DELAY FILL WITH BRASS TAIL	324301

FIXED BOTTOM INLET

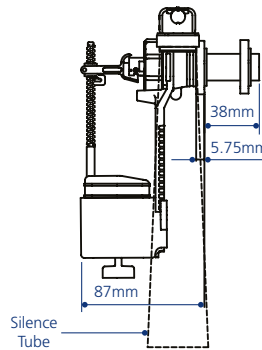
SIZES (MM)	SIZES (INCHES)	CODE	
		STANDARD	DELAY FILL
203	8	314286	324274
216	8½	318123	324275
229	9	314353	324276
241	9½	319578	324277
254	10	314977	324278
267	10½	316182	324279
279	11	313917	324280
292	11½	314921	324281

SIDE INLET

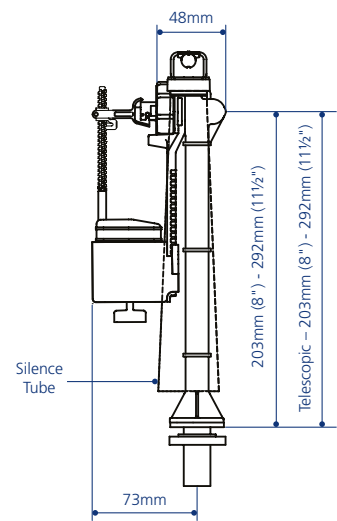
TYPE	CODE
STANDARD	313079
DELAY FILL	324300
BRASS TAIL	324299
DELAY FILL WITH BRASS TAIL	324298



SIDE INLET STANDARD & BRASS TAIL



SIDE INLET DELAY FILL & BRASS TAIL



BOTTOM INLET STANDARD, DELAY FILL & BRASS TAIL

DUDLEY TETRA™



CODE: 327645



CODE: 327640



USES

- The NEW Dudley Tetra is designed for use as a replacement in most plastic and ceramic exposed and concealed cisterns.

FEATURES

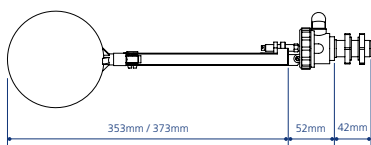
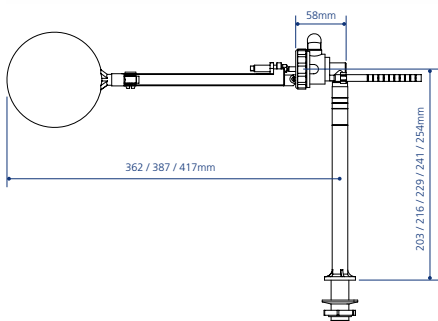
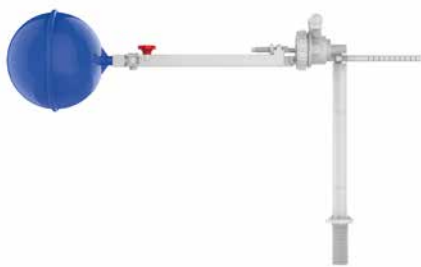
- Robust "Part 3" design.
- Ideal for high and low pressure (0.1 – 14 bar).
- Brass tail as standard, to prevent cross-threading during installation.
- WRAS approved.
- Spares readily available.

OPTIONS

- Side and telescopic bottom inlet.

DUDLEY BETA™

Beta Float Valves to BS1212
Part 3



USES

- Designed for use as a replacement in most plastic and ceramic exposed and concealed cisterns.

FEATURES

- Ideal for high and low pressure (0.1 -14 bar).
- Swivel float arm.
- WRAS approved.
- Spares readily available.

OPTIONS

- Side and bottom inlet.
- Forked float arm.

FIXED BOTTOM INLET

SIZES (MM)	SIZES (INCHES)	FLOAT ARM SIZES (MM)	CODE
203	8	155	322391
		180	322392
		210	322393
216	8½	155	322394
		180	322395
		210	322396
229	9	155	322397
		180	322398
		210	322399
241	9½	155	322400
		180	322401
		210	322402
254	10	155	322403
		180	322404
		210	322405

SIDE INLET

FLOAT ARM SIZES (MM)	CODE
155	321869
180	322406
210	321713



MULTIPACKS

Sets of internal cistern fittings can be supplied for most ceramic sanitaryware. Please enquire stating manufacturer and model.

Fitting packs typically include a flushing syphon or outlet valve, an inlet valve and a lever kit or push button. Packs can be fully tailored to meet your individual requirements to comply with the Regulator's Specification.

Using our modern in-house laboratory and life cycle testing facilities, Thomas Dudley Ltd also undertakes third party testing to 'WRAS' specifications. These test results and associated paperwork can then be submitted to WRAS on behalf of customers for WRAS certification.



CODE: 327402



CODE: 325829

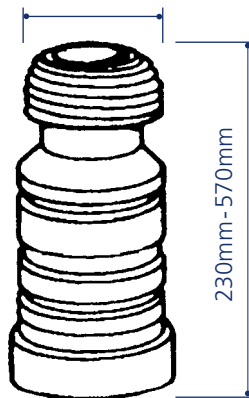


Fitting packs can be configured to customer specifications

DUDLEY RIGIFLEX® FLEXIBLE WC PAN CONNECTOR



CODE: 313672



USES

- Provides a strong and reliable connection between the WC pan and a standard 110mm diameter soil pipe.

FEATURES

- Extends from 230mm – 570mm.
- Can be easily adjusted into an endless combination of angles to overcome even the most awkward installations.
- Seal inside collar provides water tight connection to the WC pan.
- Three raised rubber fins on the tail provide reliable connection to the soil pipe.
- Robustly constructed from polypropylene.