



KINETIC

Intelligent Urinal Control

Applications

Perfect for use within commercial washrooms featuring multi-station urinal systems.

Water-Saving

Regulates flushing based on actual washroom usage saving up to 80% of water when compared with traditional systems.

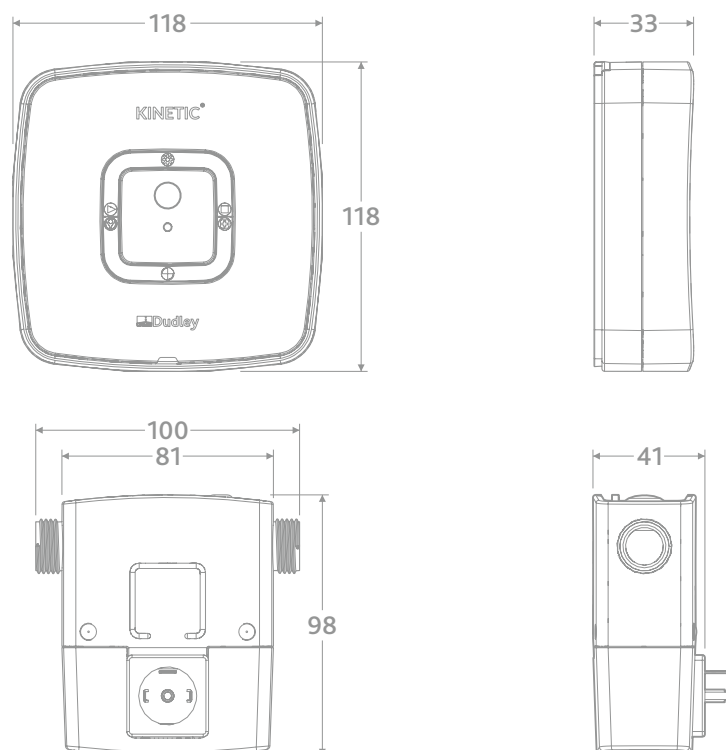
Features

- ✓ Available in gloss white and grey.
- ✓ Passive infrared sensor detects user movements.
- ✓ Can be easily installed into pipework, wall or ceiling.
- ✓ Supplied with flush mount kit for aesthetic installation.
- ✓ Control box can be installed remotely from the solenoid using the 1m cable supplied.
- ✓ Quick and simple set up software.
- ✓ 12h hygiene and 24h economy flushing modes.
- ✓ Kinetic's fast fill reduces scale build up.
- ✓ Chrome fittings included.
- ✓ Tamper proof design.

KINETIC

Intelligent Urinal Control

Dimensional Data



Technical Data

Operating Voltage	6V DC (Integrated Transformer)
Mains Supply	230V AC 50Hz
Battery Supply	4 x 1.5V AA
Sensor Range	80° Cone, 5m Maximum
Solenoid Valve	6V Latching
Solenoid Valve Connection	15mm Compression
Water Pressure	0.1-10 BAR