

---

Carron Bathrooms

# Product Range & Specification Guide

 carron

---

# Carron Bathrooms Trade Range

Welcome to the Carron Bathrooms Product Range catalogue, designed to give you easy access to technical specifications for the entire Carron Bathrooms range.

As the UK's premier bath manufacturer, Carron have a reputation for quality products and reliable after sales support. Working with you to ensure an easy installation and a happy customer.

Also, with all our baths being available in our patented, Carronite® material – with a 30 year manufacturer warranty – installing a Carron Bath comes with added peace of mind.

**The product pages in this Product Range come with a series of icons showing the optional extras available for each model.**



#### **CARRONITE™**

Carronite™ is Carron's unique patented manufacturing process. Carronite baths are more stable and hold water temperature for longer than a standard acrylic bath. Every Carronite bath comes with a 30 year manufacturer warranty, giving extra peace of mind when installing for a customer.



#### **PANELS**

Baths with a panel icon have a corresponding panel designed specifically to fit the product in question.



#### **HAND GRIPS**

Many Carron baths come with hand grips as an optional extra. All Carron hand grips allow for the use of a showerscreen.



#### **WHIRLPOOL**

The ultimate in bathing luxury, C-Lenda Whirlpool systems are available as an optional extra for Carron baths. You will also find a guide to the Whirlpool range available on page five.



#### **EASE OF ACCESS**

If you require a bath with a lower height, look out for our Ease of Access icon, to assist users with limited mobility.



#### **WATER SAVER**

Providing a solution for those looking to reduce their water usage, the Water Saver icon shows baths with reduced water capacity.

# Carronite

Carronite™ is Carron's unique, patented manufacturing process. We are so confident in the strength and quality of Carronite™ that we offer a 30 year manufacturer warranty.

## How does Carronite™ work?

The demonstrable strength of a Carronite™ bath comes from a triple layer reinforcement system. This additional weight means the bath requires to be fitted with a heavy duty support/levelling system. The combination of the material itself and the support system ensure the rigidity and stability of the bath.



STRONGER



WARMER



PEACE  
OF MIND

**CARRONITE™** 

Designed to last a lifetime



# C-Lenda Whirlpool Systems

The C-Lenda Whirlpool system is the most technologically advanced system available on today's market. This unique jet system has been designed by Markon in New Zealand and ensures the most comfortable bathing experience. Almost all baths in the Carron range are compatible with this whirlpool system and are made to order by our skilled technicians at our factory in Falkirk.

In previous whirlpool baths, the fittings protruded from the bath wall into the bathing area and were prone to build up of soap which was difficult to clean. In the unique C-Lenda design, all fittings are flush with the bath wall, creating a smooth, continuous surface.

## SYSTEM 1

System Options:  
PNEUMATIC CONTROLS,  
6 SIDE JETS

## SYSTEM 2

System Options:  
PNEUMATIC CONTROLS, 6 SIDE  
JETS, 6 BACK JETS, 4 FEET JETS

## SYSTEM 3

System Options:  
PNEUMATIC CONTROLS, 6 SIDE  
JETS, 6 BACK JETS, 4 FEET JETS,  
CHROMOTHERAPY LIGHT

## SYSTEM 4

System Options:  
ELECTRONIC CONTROLS,  
6 SIDE JETS

## SYSTEM 5

System Options:  
ELECTRONIC CONTROLS, 6 SIDE  
JETS, 6 BACK JETS, 4 FEET JETS

## SYSTEM 6

System Options:  
ELECTRONIC CONTROLS, 6 SIDE  
JETS, 6 BACK JETS, 4 FEET JETS,  
CHROMOTHERAPY LIGHT

## OPTIONAL EXTRAS

CHROMOTHERAPY

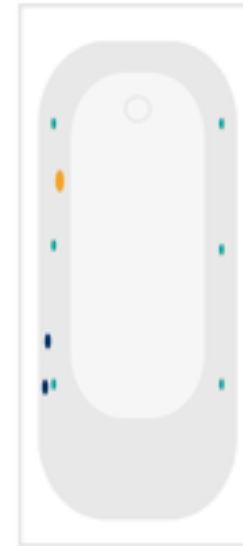
EXTRA SIDE JETS (PAIR)

## SYSTEM COMPONENTS

- FLUSH CENTRO JETS
- FLUSH SUCTION
- FLUSH MINI JETS

- FLUSH AIR CONTROL
- CHROMOTHERAPY LIGHT

- CHROMOTHERAPY ON / OFF
- WHIRLPOOL ON / OFF



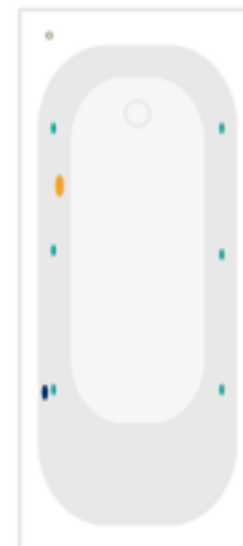
C-LEND A SYSTEM 1



C-LEND A SYSTEM 2



C-LEND A SYSTEM 3



C-LEND A SYSTEM 4



C-LEND A SYSTEM 5



C-LEND A SYSTEM 6

Diagrams shown are a guide only. Controls & light positions can vary by model. Please consult Carron for more information.

# CONTENTS

## RECTANGULAR BATHS

URBAN SITBATH 1250x725 <b>NEW</b>	12	ALPHA 1700x750	59
DELTA 1400x700	13	ARC DUO 1700x750	60
IMPERIAL TG 1400x700	14	ARC SE 1700x750	61
ARC SE 1500x700	15	BRITANNIA 1700x750	62
AXIS 1500x700	16	ECHELON (INCLUDES FILLER) 1700x750	63
DELTA 1500x700	17	EQUATION 1700x750	64
IMPERIAL TG 1500x700	18	EQUITY 1700x750	65
MATRIX 1500x700	19	INDEX 1700x750	66
PROFILE 1500x700	20	PROFILE 1700x750	67
QUANTUM INTEGRA 1500x700	21	PROFILE DUO 1700x750 <b>NEW</b>	68
QUANTUM INTEGRA ECO 430 <b>NEW</b>	22	QUANTUM DUO 1700x750	69
QUANTUM INTEGRA ECO 515 <b>NEW</b>	23	QUANTUM INTEGRA DUO 1700x750 <b>NEW</b>	70
QUANTUM SE 1500x700	24	QUANTUM INTEGRA 1700x750	71
AXIS 1600x700	25	QUANTUM SE 1700x750	72
DELTA 1600x700	26	QUANTUM SPACESAVER 1700x750	73
IMPERIAL TG 1600x700	27	SIGMA 1700x750	74
MATRIX 1600x700	28	APEX 1700x800	75
PROFILE 1600x700	29	HAIKU 1700x800	76
PROFILE DUO 1600x700 <b>NEW</b>	30	QUANTUM DUO 1700x800	77
QUANTUM INTEGRA 1600x700	32	QUANTUM INTEGRA 1700x800	78
QUANTUM INTEGRA ECO 430 <b>NEW</b>	33	QUANTUM SE 1700x800	79
QUANTUM INTEGRA ECO 515 <b>NEW</b>	34	SIGMA 1700x800	80
QUANTUM SE 1600x700	35	STATUS 1700x800	81
STATUS 1600x725	36	QUANTUM SE 1700x900 <b>NEW</b>	82
SIGMA 1600x750	37	SWALLOW TG 1800x700	83
QUANTUM SE 1600x800	38	QUANTUM SE 1800x725	84
DELTA 1650x700	39	IMPERIAL TG 1800x750	85
DELTA 1675x700	40	ALPHA 1800x800	86
IMPERIAL TG 1675x700	41	ARC DUO 1800x800	87
ALPHA 1700x700	42	BRITANNIA 1800x800 <b>NEW</b>	88
ARC SE 1700x700	43	ECHELON (INC FILLER) 1800x800	89
AXIS 1700x700	44	EQUATION 1800x800	90
BRITANNIA 1700x700	45	EQUITY 1800x800	91
DELTA 1700x700	46	HAIKU 1800x800	92
IMPERIAL TG 1700x700	47	QUANTUM DUO 1800x800	93
MATRIX 1700x700	48	QUANTUM INTEGRA 1800x800	94
PROFILE 1700x700	49	QUANTUM SE 1800x800	95
PROFILE DUO 1700x700 <b>NEW</b>	50	SIGMA 1800x800	96
QUANTUM DUO 1700x700	51	HAIKU 1800x900	97
QUANTUM INTEGRA 1700x700	52	MISTRAL 1800x700-900	98
QUANTUM INTEGRA ECO 430	53	LINEA 1900x900	99
QUANTUM INTEGRA ECO 515	54	QUANTUM DUO 1900x900	100
QUANTUM SE 1700x700	55	SIGMA 1900x900	101
SWALLOW TG 1700x700	56		
STATUS 1700x725	57		
URBAN 1700x725	58		

## SHOWERBATHS

QUANTUM 1500x700-850	104
URBAN COMPACT 1500x750-900	105
PROFILE SB 1500x900 <b>NEW</b>	106
STATUS 1550x850	108
URBAN SWING 1575x850	109
URBAN EDGE 1550x700-850	110
DELTA 1600x700-800	112
QUANTUM 1600x700-850	113
ASPECT 1700x700-800	114
DELTA 1700x700-800	115
ARC 1700x700-850	116
QUANTUM 1700x700-850	117
URBAN 1700x750-900	118
SIGMA 1800x750-900	119

## FREESTANDING BATHS

PARADIGM 1550x850	122
ASCOLI 1700x750	123
HALCYON OVAL 1750x800	124
HALCYON SQUARE 1750x800	125
HALCYON 'D' 1750x800	126
ELYSEE 1800x900	128
CELSIUS 1910x910	129

## CORNER BATHS

DOVE 1550x950	132
OMEGA 1700x1000	133
ORIOLE 1200x1200	134
MONARCH 1300x1300	135
TRANQUILITY 1300x1300	136
CENTENNIAL 1500x1500	137

## CELSIUS RANGE

CELSIUS 700	140
CELSIUS 750	141
CELSIUS 1800	142
CELSIUS SHOWERBATH	143
CELSIUS OVAL	144
CELSIUS DUO	145

## PANELS, SCREENS & ACCESSORIES

"L" SHAPED PANELS	148
QUANTUM FRONT PANELS	148
END PANELS	148
SCREENS	150
HEADRESTS	150



## Rectangular Baths

The most popular bath shape needs to come in a wide range of sizes and configurations. The Carron range of rectangular baths has every base covered with lengths ranging from 1250mm to 1900mm over a selection of width options.

### GRIP OPTIONS

Chrome handgrips available on many of our rectangular baths. Please order using appropriate product code.



CCG-1 CHROME HANDGRIP



CCG-2 CHROME HANDGRIP

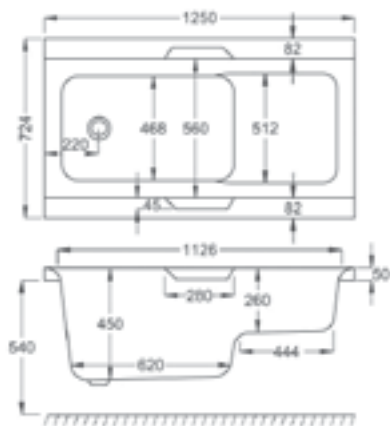
**BATH OPPOSITE:**  
Imperial TG

# URBAN SITBATH

L 1250MM  
W 725MM

New Model

	5MM	CARRONITE
URBAN SITBATH	✓	✓
URBAN SITBATH FRONT PANEL	✓	✓
URBAN SITBATH END PANEL	✓	✓
SCREEN CFS-1 (H=1400MM)	✓	✓
SCREEN CFS-2 (H=1500MM)	✓	✓



Carronite



Panel



Hand Grips

## WATER CAPACITY

155 LTR

This measurement is taken to the overflow

## WHIRLPOOL COMPATIBLE

N/A

## KIT REFERENCES

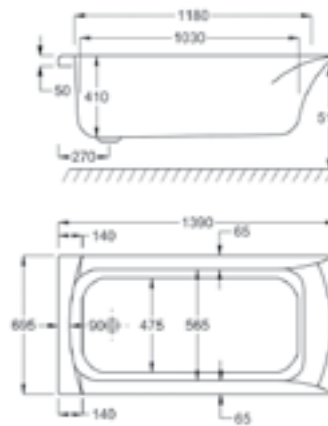
STANDARD - AK-06-C

CARRONITE - AK-06-C

# DELTA

L 1400MM  
W 700MM

	5MM	CARRONITE
DELTA	✓	✓
FRONT PANEL 1400x515	✓	✓
END PANEL 700x515	✓	✓
SCREEN CFS-1 (H=1400MM)	✓	✓
SCREEN CFS-2 (H=1500MM)	✓	✓
GRIPS CCG-1	✓	✓



Carronite



Panel



Hand Grips



Whirlpool

## WATER CAPACITY

142 LTR

This measurement is taken to the overflow

## WHIRLPOOL COMPATIBLE

C-LENDA SYSTEMS

1 & 4

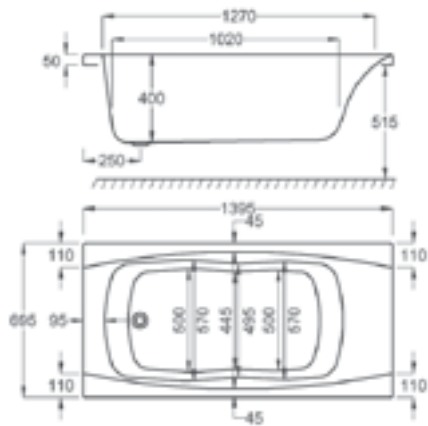
## KIT REFERENCES

STANDARD - AK-01

CARRONITE - AK-01-C

# IMPERIAL TG

		5MM	CARRONITE
L 1400MM	IMPERIAL 1400 TG	✓	✓
W 700MM	FRONT PANEL 1400x515	✓	✓
	END PANEL 700x515	✓	✓
	SCREEN CFS-1 (H=1400MM)	✓	✓
	SCREEN CFS-2 (H=1500MM)	✓	✓



Carronite



Panel



Hand Grips



Whirlpool

## WATER CAPACITY

135 LTR

This measurement is taken to the overflow

## WHIRLPOOL COMPATIBLE

C-LENDA SYSTEMS

1 &amp; 4

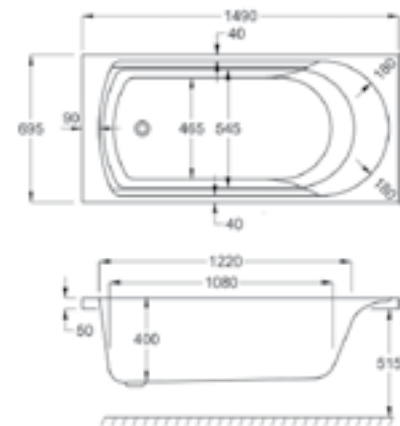
## KIT REFERENCES

STANDARD - AK-01

CARRONITE - AK-01-C

# ARC SE

		5MM	CARRONITE
L 1500MM	ARC 1500	✓	✓
W 700MM	L-PANEL 1500x700x515	-	✓
	FRONT PANEL 1500x515	✓	✓
	END PANEL 700x515	✓	✓
	SCREEN CFS-1 (H=1400MM)	✓	✓
	SCREEN CFS-2 (H=1500MM)	✓	✓
	GRIPS CCG-2	✓	✓



Carronite



Panel



Hand Grips



Whirlpool

## WATER CAPACITY

150 LTR

This measurement is taken to the overflow

## WHIRLPOOL COMPATIBLE

C-LENDA SYSTEMS

1 &amp; 4

## KIT REFERENCES

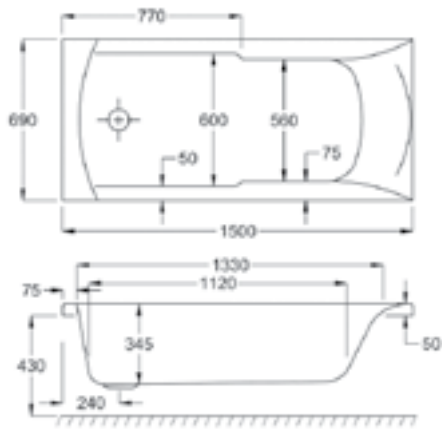
STANDARD - AK-01

CARRONITE - AK-01-C



L 1500MM  
W 700MM

	5MM	CARRONITE
AXIS	✓	✓
L-PANEL 1500x700x430	-	✓
FRONT PANEL 1500x430	✓	✓
END PANEL 700x430	✓	✓
SCREEN CFS-1 (H=1400MM)	✓	✓
SCREEN CFS-2 (H=1500MM)	✓	✓
GRIPS CCG-2	✓	✓



Carronite Panel Hand Grips Ease of Access Water Saver

**WATER CAPACITY**  
131 LTR

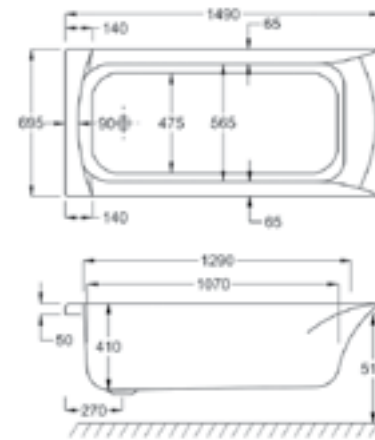
This measurement is taken to the overflow

**WHIRLPOOL COMPATIBLE**  
N/A

**KIT REFERENCES**  
STANDARD - AK-01  
CARRONITE - AK-01-C

L 1500MM  
W 700MM

	5MM	CARRONITE
DELTA 1500	✓	✓
L-PANEL 1500x700x515	-	✓
FRONT PANEL 1500x515	✓	✓
END PANEL 700x515	✓	✓
SCREEN CFS-1 (H=1400MM)	✓	✓
SCREEN CFS-2 (H=1500MM)	✓	✓
GRIPS CCG-1	✓	✓



Carronite Panel Hand Grips Whirlpool

**WATER CAPACITY**  
152 LTR

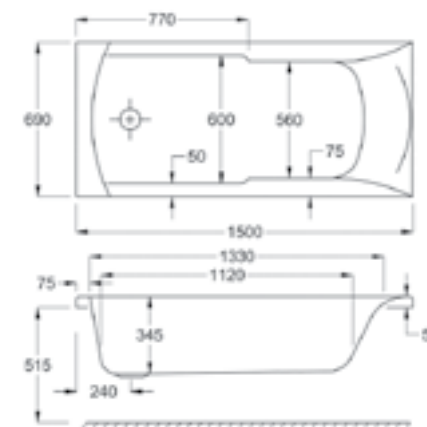
This measurement is taken to the overflow

**WHIRLPOOL COMPATIBLE**  
C-LENDA SYSTEMS  
1, 2, 3, 4, 5, 6

**KIT REFERENCES**  
STANDARD - AK-01  
CARRONITE - AK-01-C

# MATRIX

		5MM	CARRONITE
L 1500MM	MATRIX	✓	✓
W 700MM	L-PANEL 1500x700x515	-	✓
	FRONT PANEL 1500x515	✓	✓
	END PANEL 700x515	✓	✓
	SCREEN CFS-1 (H=1400MM)	✓	✓
	SCREEN CFS-2 (H=1500MM)	✓	✓
	GRIPS CCG-2	✓	✓



-  Carronite
-  Panel
-  Hand Grips
-  Water Saver

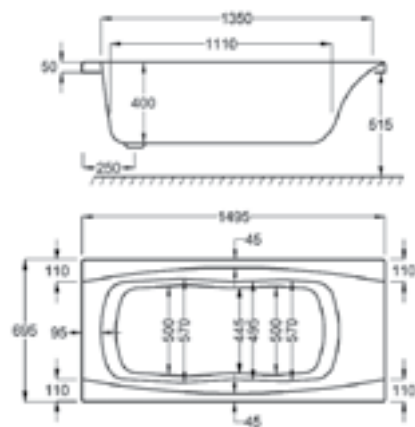
**WATER CAPACITY**  
131 LTR  
This measurement is taken to the overflow

**WHIRLPOOL COMPATIBLE**  
N/A

**KIT REFERENCES**  
STANDARD - AK-02  
CARRONITE - AK-02-C

# IMPERIAL TG

		5MM	CARRONITE
L 1500MM	IMPERIAL TG	✓	✓
W 700MM	L-PANEL 1500x700x515	-	✓
	FRONT PANEL 1500x515	✓	✓
	END PANEL 700x515	✓	✓
	SCREEN CFS-1 (H=1400MM)	✓	✓
	SCREEN CFS-2 (H=1500MM)	✓	✓



-  Carronite
-  Panel
-  Hand Grips
-  Whirlpool

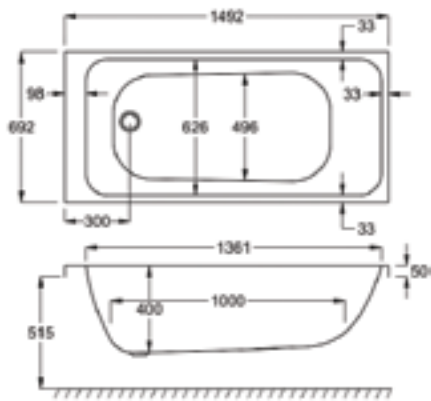
**WATER CAPACITY**  
145 LTR  
This measurement is taken to the overflow

**WHIRLPOOL COMPATIBLE**  
C-LENDA SYSTEMS  
1 & 4

**KIT REFERENCES**  
STANDARD - AK-01  
CARRONITE - AK-01-C

# PROFILE

		5MM	CARRONITE
L 1500MM	PROFILE	✓	✓
W 700MM	L-PANEL 1500x700x515	-	✓
	FRONT PANEL 1500x515	✓	✓
	END PANEL 700x515	✓	✓
	SCREEN CFS-1 (H=1400MM)	✓	✓
	SCREEN CFS-2 (H=1500MM)	✓	✓



Carronite Panel

**WATER CAPACITY**  
190 LTR

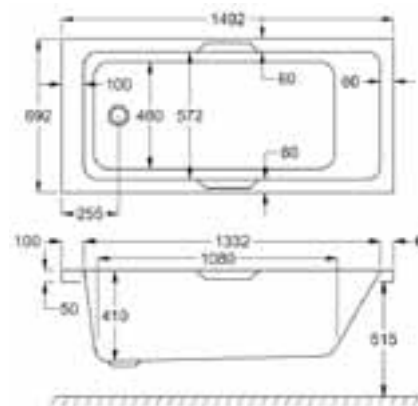
This measurement is taken to the overflow

**WHIRLPOOL COMPATIBLE**  
N/A

**KIT REFERENCES**  
STANDARD - AK-01  
CARRONITE - AK-01-C

# QUANTUM INTEGRA

		5MM	CARRONITE
L 1500MM	QUANTUM INTEGRA	✓	✓
W 700MM	L-PANEL 1500x700x515	-	✓
	FRONT PANEL 1500x515	✓	✓
	END PANEL 700x515	✓	✓
	SCREEN CFS-1 (H=1400MM)	✓	✓
	SCREEN CFS-2 (H=1500MM)	✓	✓



Carronite Panel Hand Grips Whirlpool

**WATER CAPACITY**  
198 LTR

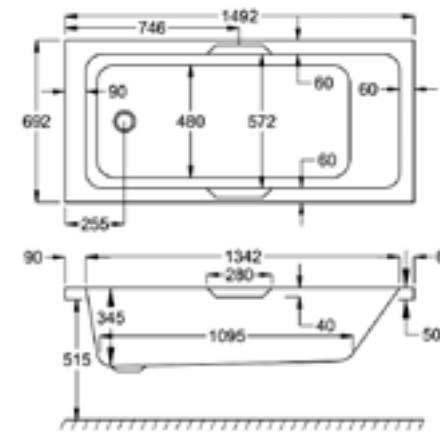
This measurement is taken to the overflow

**WHIRLPOOL COMPATIBLE**  
C-LENDA SYSTEMS  
1 & 4

**KIT REFERENCES**  
STANDARD - AK-01  
CARRONITE - AK-01-C

# QUANTUM INTEGRA ECO 515

	5MM	CARRONITE
L 1500MM	✓	✓
W 700MM	✓	✓
QUANTUM INTEGRA ECO 515	✓	✓
L-PANEL 1500x700x515	-	✓
FRONT PANEL 1500x515	✓	✓
END PANEL 700x515	✓	✓
SCREEN CFS-1 (H=1400MM)	✓	✓
SCREEN CFS-2 (H=1500MM)	✓	✓



- Carronite
- Panel
- Hand Grips
- Whirlpool

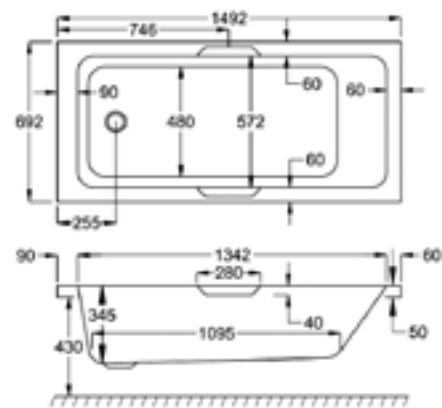
**WATER CAPACITY**  
152 LTR  
This measurement is taken to the overflow

**WHIRLPOOL COMPATIBLE**  
N/A

**KIT REFERENCES**  
STANDARD - AK-02  
CARRONITE - AK-02-C

# QUANTUM INTEGRA ECO 430

	5MM	CARRONITE
L 1500MM	✓	✓
W 700MM	✓	✓
QUANTUM INTEGRA ECO 430	✓	✓
L-PANEL 1500x700x430	-	✓
FRONT PANEL 1500x430	✓	✓
END PANEL 700x430	✓	✓
SCREEN CFS-1 (H=1400MM)	✓	✓
SCREEN CFS-2 (H=1500MM)	✓	✓



- Carronite
- Panel
- Hand Grips
- Ease of Access
- Water Saver

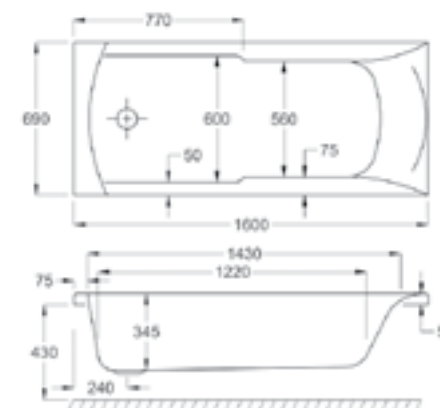
**WATER CAPACITY**  
152 LTR  
This measurement is taken to the overflow

**WHIRLPOOL COMPATIBLE**  
N/A

**KIT REFERENCES**  
STANDARD - AK-01  
CARRONITE - AK-01-C

# AXIS

		5MM	CARRONITE
L 1600MM	AXIS	✓	✓
W 700MM	L-SHAPED PANEL 1600x700x430	-	✓
	FRONT PANEL 1600x430	✓	✓
	END PANEL 700x430	✓	✓
	SCREEN CFS-1 (H=1400MM)	✓	✓
	SCREEN CFS-2 (H=1500MM)	✓	✓
	GRIPS CCG-2	✓	✓



- Carronite
- Panel
- Hand Grips
- Ease of Access
- Water Saver

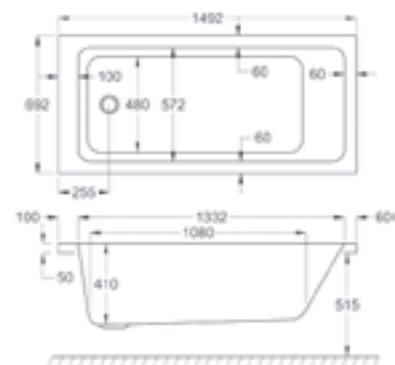
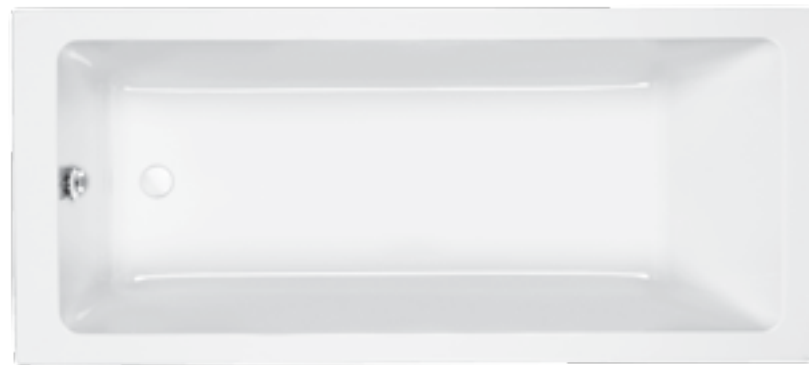
**WATER CAPACITY**  
138 LTR  
This measurement is taken to the overflow

**WHIRLPOOL COMPATIBLE**  
N/A

**KIT REFERENCES**  
STANDARD - AK-01  
CARRONITE - AK-01-C

# QUANTUM SE

		5MM	CARRONITE
L 1500MM	QUANTUM SE	✓	✓
W 700MM	L-PANEL 1500x700x515	-	✓
	FRONT PANEL 1500x515	✓	✓
	END PANEL 700x515	✓	✓
	SCREEN CFS-1 (H=1400MM)	✓	✓
	SCREEN CFS-2 (H=1500MM)	✓	✓



- Carronite
- Panel
- Whirlpool

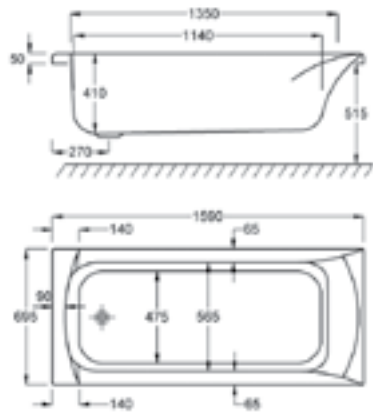
**WATER CAPACITY**  
198 LTR  
This measurement is taken to the overflow

**WHIRLPOOL COMPATIBLE**  
C-LENDA SYSTEMS  
1 & 4

**KIT REFERENCES**  
STANDARD - AK-01  
CARRONITE - AK-01-C

L 1600MM  
W 700MM

	5MM	CARRONITE
DELTA	✓	✓
L-SHAPED PANEL 1600x700x515	-	✓
FRONT PANEL 1600x515	✓	✓
END PANEL 700x515	✓	✓
SCREEN CFS-1 (H=1400MM)	✓	✓
SCREEN CFS-2 (H=1500MM)	✓	✓
GRIPS CCG-1	✓	✓



Carronite



Panel



Hand Grips



Whirlpool

**WATER CAPACITY**

162 LTR

This measurement is taken to the overflow

**WHIRLPOOL COMPATIBLE**

C-LENDA SYSTEMS

1, 2, 3, 4, 5, 6

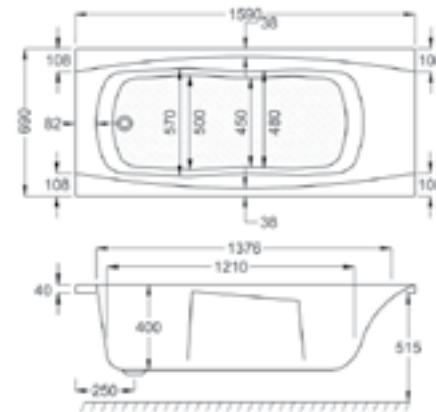
**KIT REFERENCES**

STANDARD - AK-01

CARRONITE - AK-01-C

L 1600MM  
W 700MM

	5MM	CARRONITE
IMPERIAL TG	✓	✓
L-PANEL 1600x700x515	-	✓
FRONT PANEL 1600x515	✓	✓
END PANEL 700x515	✓	✓
SCREEN CFS-1 (H=1400MM)	✓	✓
SCREEN CFS-2 (H=1500MM)	✓	✓



Carronite



Panel



Hand Grips



Whirlpool

**WATER CAPACITY**

162 LTR

This measurement is taken to the overflow

**WHIRLPOOL COMPATIBLE**

C-LENDA SYSTEMS

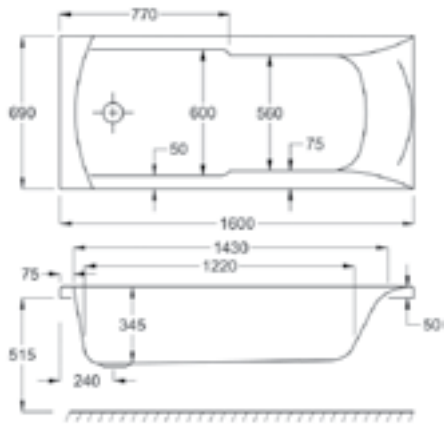
1, 2, 3, 4, 5, 6

**KIT REFERENCES**

STANDARD - AK-01

CARRONITE - AK-01-C

		5MM	CARRONITE
L 1600MM	MATRIX	✓	✓
W 700MM	L-PANEL 1600x700x515	-	✓
	FRONT PANEL 1600x515	✓	✓
	END PANEL 700x515	✓	✓
	SCREEN CFS-1 (H=1400MM)	✓	✓
	SCREEN CFS-2 (H=1500MM)	✓	✓
	GRIPS CCG-2	✓	✓



Carronite



Panel



Hand Grips



Water Saver

**WATER CAPACITY**

138 LTR

This measurement is taken to the overflow

**WHIRLPOOL COMPATIBLE**

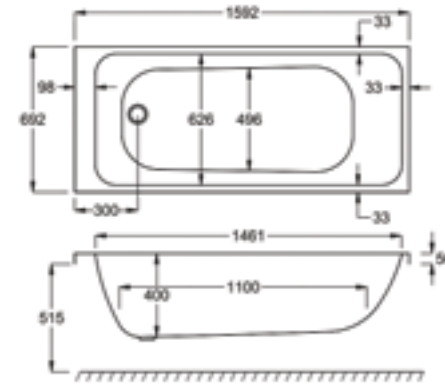
N/A

**KIT REFERENCES**

STANDARD - AK-02

CARRONITE - AK-02-C

		5MM	CARRONITE
L 1600MM	PROFILE	✓	✓
W 700MM	L-PANEL 1600x700x515	-	✓
	FRONT PANEL 1600x515	✓	✓
	END PANEL 700x515	✓	✓
	SCREEN CFS-1 (H=1400MM)	✓	✓
	SCREEN CFS-2 (H=1500MM)	✓	✓



Carronite



Panel

**WATER CAPACITY**

204 LTR

This measurement is taken to the overflow

**WHIRLPOOL COMPATIBLE**

N/A

**KIT REFERENCES**

STANDARD - AK-01

CARRONITE - AK-01-C

**NEW MODEL**

**PROFILE DUO**



**Sleek new model added to range known for modern style.**

The Profile Duo has allowed Carron to introduce a 1600mmx700mm double ended bath for the first time.

The design characteristics of the 35mm ledge allows the Profile Duo to deliver spacious bathing even in this smaller size. With an increasing movement towards minimalism in modern design, particularly in the

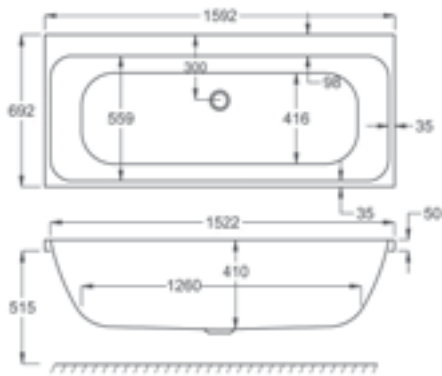
bathroom, the Profile Duo offers the style expected from Carron, without losing any functionality. The Duo can still accommodate a bath screen and due to the intelligent design is equally suitable for everyday showering or comfortable, relaxed bathing.

**PROFILE DUO**

L 1600MM  
W 700MM

**New Model**

	5MM	CARRONITE
<b>PROFILE DUO</b>	✓	✓
L-SHAPED PANEL 1600x700x515	-	✓
FRONT PANEL 1600x515	✓	✓
END PANEL 700x515	✓	✓
SCREEN CFS-1 (H=1400MM)	✓	✓
SCREEN CFS-2 (H=1500MM)	✓	✓



Carronite



Panel

**WATER CAPACITY**  
188 LTR

This measurement is taken to the overflow

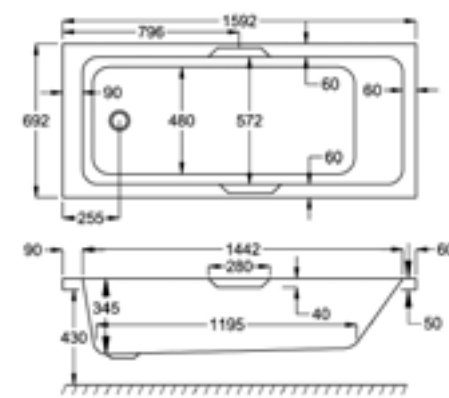
**WHIRLPOOL COMPATIBLE**  
N/A

**KIT REFERENCES**  
STANDARD - AK-01  
CARRONITE - AK-01-C



# QUANTUM INTEGRA ECO 430

	5MM	CARRONITE
L 1600MM	✓	✓
W 700MM	✓	✓
QUANTUM INTEGRA ECO 430	✓	✓
L-PANEL 1600x700x430	-	✓
FRONT PANEL 1700x430	✓	✓
END PANEL 700x430	✓	✓
SCREEN CFS-1 (H=1400MM)	✓	✓
SCREEN CFS-2 (H=1500MM)	✓	✓



- Carronite
- Panel
- Hand Grips
- Ease of Access
- Water Saver

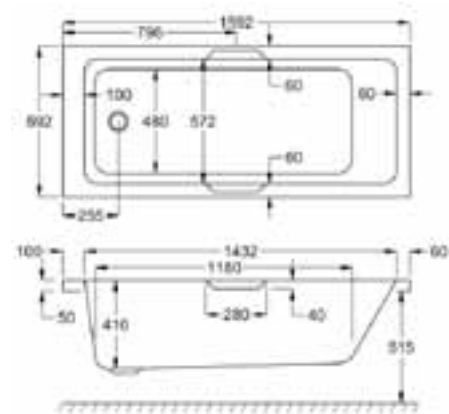
**WATER CAPACITY**  
165 LTR  
This measurement is taken to the overflow

**WHIRLPOOL COMPATIBLE**  
N/A

**KIT REFERENCES**  
STANDARD - AK-01  
CARRONITE - AK-01-C

# QUANTUM INTEGRA

	5MM	CARRONITE
L 1600MM	✓	✓
W 700MM	✓	✓
QUANTUM INTEGRA	✓	✓
L-PANEL 1600x700x515	-	✓
FRONT PANEL 1600x515	✓	✓
END PANEL 700x515	✓	✓
SCREEN CFS-1 (H=1400MM)	✓	✓
SCREEN CFS-2 (H=1500MM)	✓	✓



- Carronite
- Panel
- Hand Grips
- Whirlpool

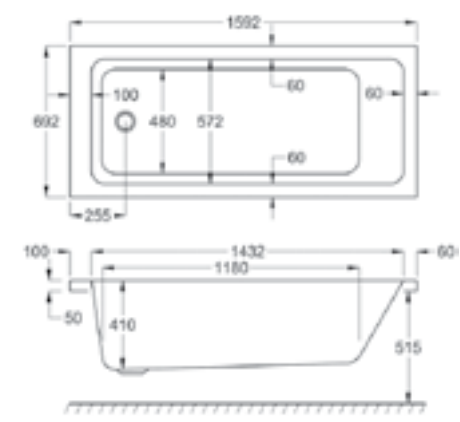
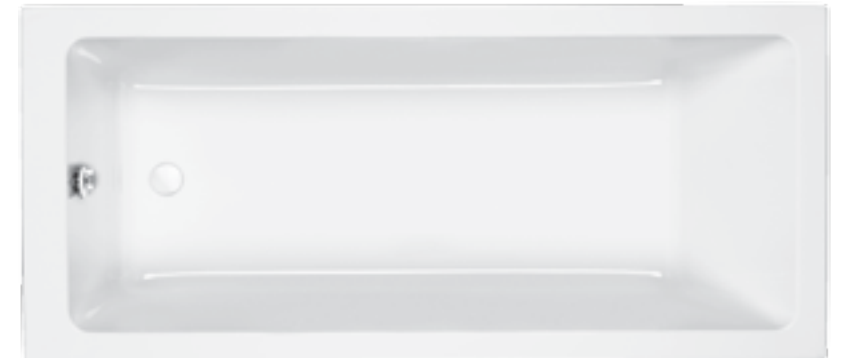
**WATER CAPACITY**  
213 LTR  
This measurement is taken to the overflow

**WHIRLPOOL COMPATIBLE**  
C-LENDIA SYSTEMS  
1 & 4

**KIT REFERENCES**  
STANDARD - AK-01  
CARRONITE - AK-01-C

# QUANTUM SE

	5MM	CARRONITE
L 1600MM	✓	✓
W 700MM	✓	✓
<b>QUANTUM SE</b>		
L-PANEL 1600x700x515	-	✓
FRONT PANEL 1600x515	✓	✓
END PANEL 700x515	✓	✓
SCREEN CFS-1 (H=1400MM)	✓	✓
SCREEN CFS-2 (H=1500MM)	✓	✓



- Carronite
- Panel
- Whirlpool

**WATER CAPACITY**  
213 LTR  
This measurement is taken to the overflow

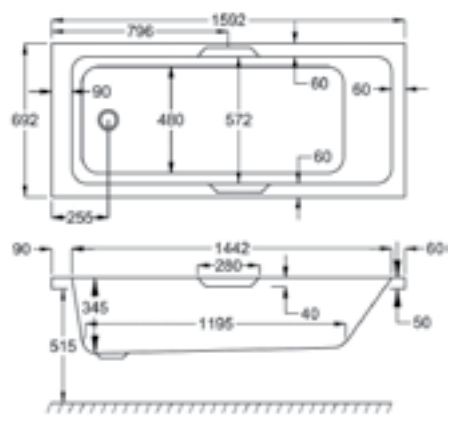
**WHIRLPOOL COMPATIBLE**  
C-LENDA SYSTEMS  
1 & 4

**KIT REFERENCES**  
STANDARD - AK-01  
CARRONITE - AK-01-C

# QUANTUM INTEGRA ECO 515

	5MM	CARRONITE
L 1600MM	✓	✓
W 700MM	✓	✓
<b>QUANTUM INTEGRA ECO 515</b>		
L-PANEL 1600x700x515	-	✓
FRONT PANEL 1600x515	✓	✓
END PANEL 700x515	✓	✓
SCREEN CFS-1 (H=1400MM)	✓	✓
SCREEN CFS-2 (H=1500MM)	✓	✓

**New Size**



- Carronite
- Panel
- Hand Grips
- Whirlpool

**WATER CAPACITY**  
165 LTR  
This measurement is taken to the overflow

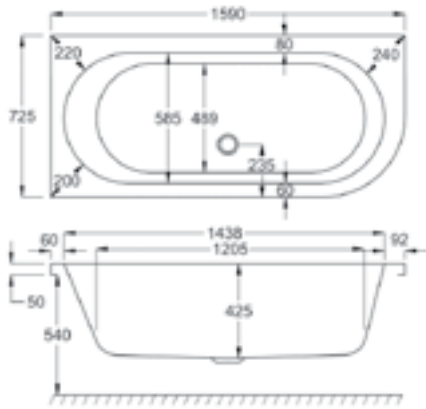
**WHIRLPOOL COMPATIBLE**  
C-LENDA SYSTEMS  
N/A

**KIT REFERENCES**  
STANDARD - AK-02  
CARRONITE - AK-02-C

# STATUS

L 1600MM  
W 725MM

	5MM	CARRONITE
STATUS	✓	✓
STATUS FRONT PANEL 1600	✓	✓
SCREEN CFS-1 (H=1400MM)	✓	✓
SCREEN CFS-2 (H=1500MM)	✓	✓



Left hand and right hand baths available.  
Right hand bath shown.



Carronite



Panel



Whirlpool

**WATER CAPACITY**  
197 LTR

This measurement is taken to the overflow

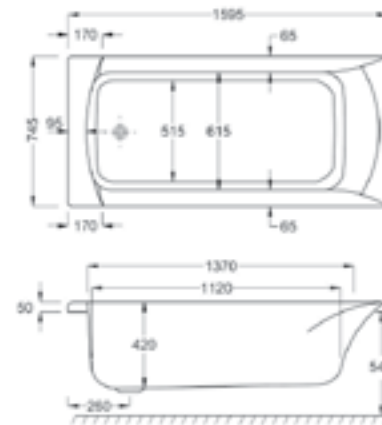
**WHIRLPOOL COMPATIBLE**  
C-LENDA SYSTEMS  
1 & 4

**KIT REFERENCES**  
STANDARD - AK-01  
CARRONITE - AK-01-C

# SIGMA

L 1600MM  
W 750MM

	5MM	CARRONITE
SIGMA	✓	✓
L-PANEL 1600x750x540	-	✓
FRONT PANEL 1600x540	✓	✓
END PANEL 750x540	✓	✓
SCREEN CFS-1 (H=1400MM)	✓	✓
SCREEN CFS-2 (H=1500MM)	✓	✓
GRIPS CCG-1	✓	✓



Carronite



Panel



Hand  
Grips



Whirlpool

**WATER CAPACITY**  
175 LTR

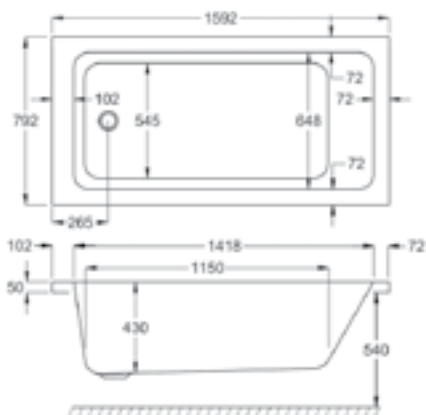
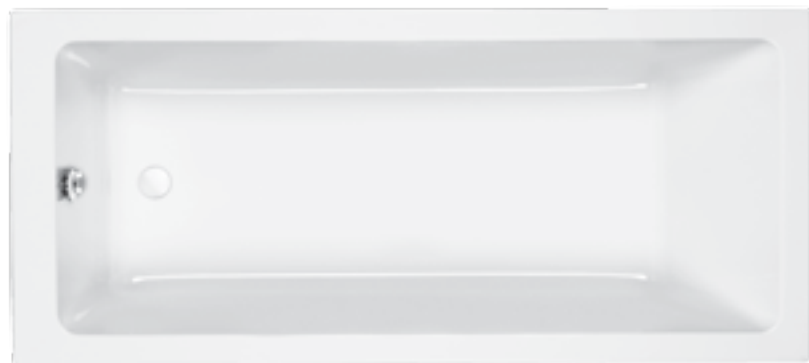
This measurement is taken to the overflow

**WHIRLPOOL COMPATIBLE**  
C-LENDA SYSTEMS  
1, 2, 3, 4, 5, 6

**KIT REFERENCES**  
STANDARD - AK-01  
CARRONITE - AK-01-C

# QUANTUM SE

		5MM	CARRONITE
L 1600MM	QUANTUM SE	✓	✓
W 800MM	L-PANEL 1600x800x540	-	✓
	FRONT PANEL 1600x540	✓	✓
	END PANEL 800x540	✓	✓
	SCREEN CFS-1 (H=1400MM)	✓	✓
	SCREEN CFS-2 (H=1500MM)	✓	✓



Carronite



Panel



Whirlpool

## WATER CAPACITY

247 LTR

This measurement is taken to the overflow

## WHIRLPOOL COMPATIBLE

C-LENDIA SYSTEMS

1, 2, 3, 4, 5, 6

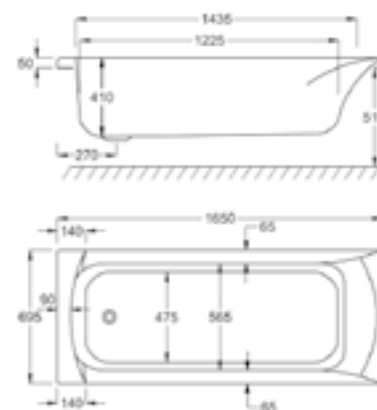
## KIT REFERENCES

STANDARD - AK-03

CARRONITE - AK-03-C

# DELTA

		5MM	CARRONITE
L 1650MM	DELTA	✓	✓
W 700MM	L-PANEL 1650x700x515	-	✓
	FRONT PANEL 1650x515	✓	✓
	END PANEL 700x515	✓	✓
	SCREEN CFS-1 (H=1400MM)	✓	✓
	SCREEN CFS-2 (H=1500MM)	✓	✓
	GRIPS CCG-1	✓	✓



Carronite



Panel

Hand  
Grips

Whirlpool

## WATER CAPACITY

167 LTR

This measurement is taken to the overflow

## WHIRLPOOL COMPATIBLE

C-LENDIA SYSTEMS

1, 2, 3, 4, 5, 6

## KIT REFERENCES

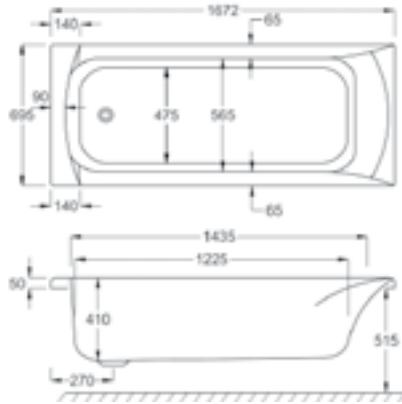
STANDARD - AK-01

CARRONITE - AK-01-C

# DELTA

L 1675MM  
W 700MM

	5MM	CARRONITE
<b>DELTA</b>	✓	✓
L-PANEL 1675x700x515	-	✓
FRONT PANEL 1675x515	✓	✓
END PANEL 700x515	✓	✓
SCREEN CFS-1 (H=1400MM)	✓	✓
SCREEN CFS-2 (H=1500MM)	✓	✓
GRIPS CCG-1	✓	✓



-   
Carronite
-   
Panel
-   
Hand Grips
-   
Whirlpool

**WATER CAPACITY**  
170 LTR

This measurement is taken to the overflow

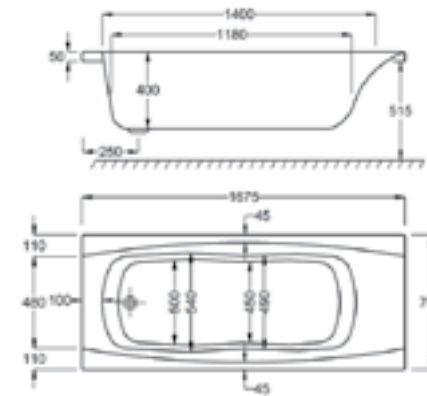
**WHIRLPOOL COMPATIBLE**  
C-LENDA SYSTEMS  
1, 2, 3, 4, 5, 6




**KIT REFERENCES**  
STANDARD - AK-01  
CARRONITE - AK-01-C

# IMPERIAL TG

L 1675MM  
W 700MM

	5MM	CARRONITE
<b>IMPERIAL TG</b>	✓	✓
L-PANEL 1675x700x515	-	✓
FRONT PANEL 1675x515	✓	✓
END PANEL 700x515	✓	✓
SCREEN CFS-1 (H=1400MM)	✓	✓
SCREEN CFS-2 (H=1500MM)	✓	✓



-   
Carronite
-   
Panel
-   
Hand Grips
-   
Whirlpool

**WATER CAPACITY**  
180 LTR

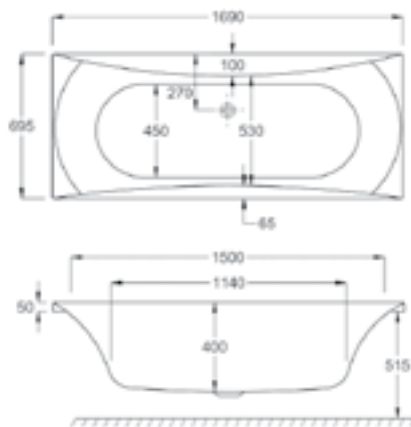
This measurement is taken to the overflow

**WHIRLPOOL COMPATIBLE**  
C-LENDA SYSTEMS  
1, 2, 3, 4, 5, 6

**KIT REFERENCES**  
STANDARD - AK-01  
CARRONITE - AK-01-C

L 1700MM  
W 700MM

	5MM	CARRONITE
ALPHA	✓	✓
L-SHAPED PANEL 1700x700x515	-	✓
FRONT PANEL 1700x515	✓	✓
END PANEL 700x515	✓	✓



Carronite



Panel



Whirlpool

**WATER CAPACITY**

160 LTR

This measurement is taken to the overflow

**WHIRLPOOL COMPATIBLE**

C-LENDA SYSTEMS

1, 2, 3, 4, 5, 6

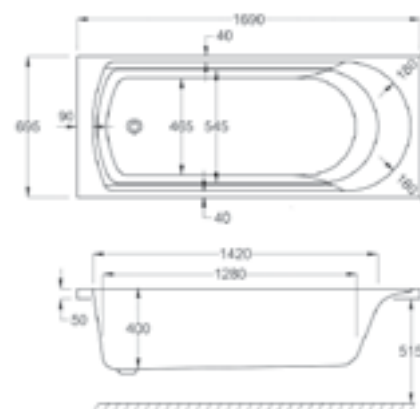
**KIT REFERENCES**

STANDARD - AK-01

CARRONITE - AK-01-C

L 1700MM  
W 700MM

	5MM	CARRONITE
ARC	✓	✓
L-SHAPED PANEL 1700x700x515	-	✓
FRONT PANEL 1700x515	✓	✓
END PANEL 700x515	✓	✓
SCREEN CFS-1 (H=1400MM)	✓	✓
SCREEN CFS-2 (H=1500MM)	✓	✓
GRIPS CCG-2	✓	✓



Carronite



Panel

Hand  
Grips

Whirlpool

**WATER CAPACITY**

172 LTR

This measurement is taken to the overflow

**WHIRLPOOL COMPATIBLE**

C-LENDA SYSTEMS

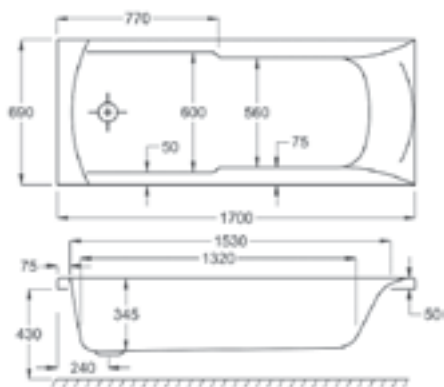
1, 2, 3, 4, 5, 6

**KIT REFERENCES**

STANDARD - AK-01

CARRONITE - AK-01-C

		5MM	CARRONITE
L 1700MM	AXIS	✓	✓
W 700MM	L-SHAPED PANEL 1700x700x430	-	✓
	FRONT PANEL 1700x430	✓	✓
	END PANEL 700x430	✓	✓
	SCREEN CFS-1 (H=1400MM)	✓	✓
	SCREEN CFS-2 (H=1500MM)	✓	✓
	GRIPS CCG-2	✓	✓



Carronite Panel Hand Grips Ease of Access Water Saver

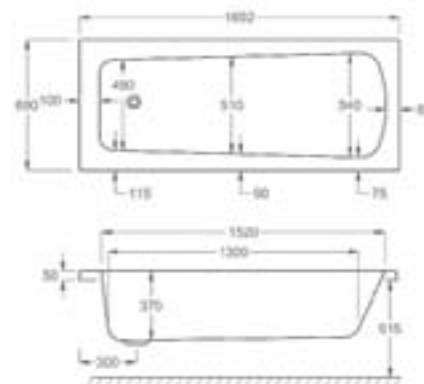
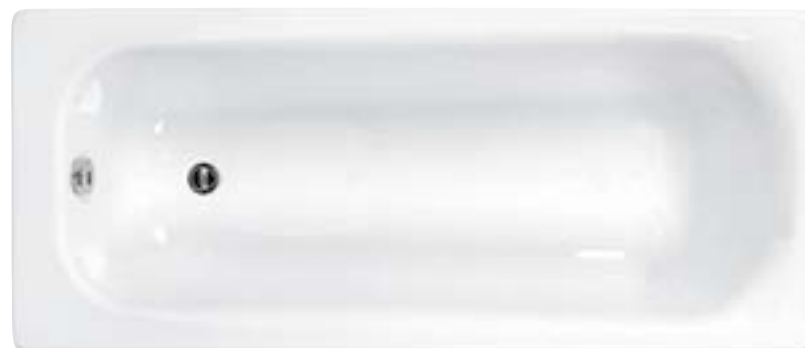
**WHIRLPOOL COMPATIBLE**  
N/A

**WATER CAPACITY**  
145 LTR

This measurement is taken to the overflow

**KIT REFERENCES**  
STANDARD - AK-01  
CARRONITE - AK-01-C

		5MM	CARRONITE
L 1700MM	BRITANNIA	✓	✓
W 700MM	L-SHAPED PANEL 1700x700x515	-	✓
	FRONT PANEL 1700x515	✓	✓
	END PANEL 700x515	✓	✓
	SCREEN CFS-1 (H=1400MM)	✓	✓
	SCREEN CFS-2 (H=1500MM)	✓	✓



Carronite Panel

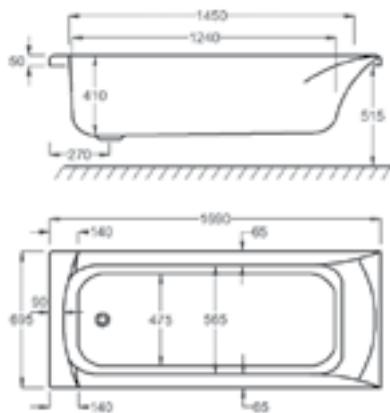
**WHIRLPOOL COMPATIBLE**  
N/A

**WATER CAPACITY**  
155 LTR

This measurement is taken to the overflow

**KIT REFERENCES**  
STANDARD - AK-02  
CARRONITE - AK-02-C

	5MM	CARRONITE
L 1700MM		
W 700MM		
<b>DELTA</b>	✓	✓
L-SHAPED PANEL 1700x700x515	-	✓
FRONT PANEL 1700x515	✓	✓
END PANEL 700x515	✓	✓
SCREEN CFS-1 (H=1400MM)	✓	✓
SCREEN CFS-2 (H=1500MM)	✓	✓
GRIPS CCG-1	✓	✓



Carronite



Panel



Hand Grips



Whirlpool

**WATER CAPACITY**

170 LTR

This measurement is taken to the overflow

**WHIRLPOOL COMPATIBLE**

C-LENDA SYSTEMS

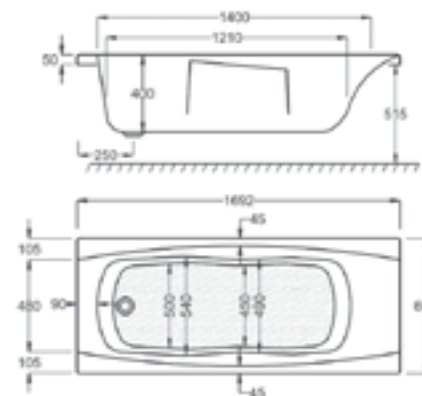
1, 2, 3, 4, 5, 6

**KIT REFERENCES**

STANDARD - AK-01

CARRONITE - AK-01-C

	5MM	CARRONITE
L 1700MM		
W 700MM		
<b>IMPERIAL TG</b>	✓	✓
L-SHAPED PANEL 1700x700x515	-	✓
FRONT PANEL 1700x515	✓	✓
END PANEL 700x515	✓	✓
SCREEN CFS-1 (H=1400MM)	✓	✓
SCREEN CFS-2 (H=1500MM)	✓	✓



Carronite



Panel



Hand Grips



Whirlpool

**WATER CAPACITY**

180 LTR

This measurement is taken to the overflow

**WHIRLPOOL COMPATIBLE**

C-LENDA SYSTEMS

1, 2, 3, 4, 5, 6

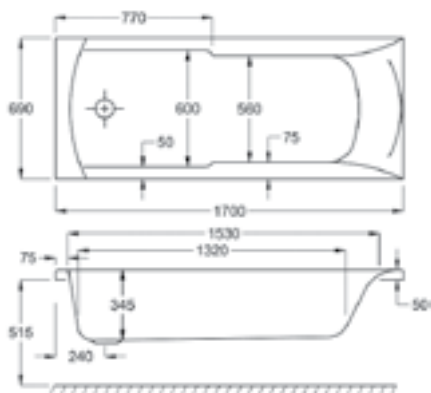
**KIT REFERENCES**

STANDARD - AK-01

CARRONITE - AK-01-C



		5MM	CARRONITE
L 1700MM	<b>MATRIX</b>	✓	✓
W 700MM	L-SHAPED PANEL 1700x700x515	-	✓
	FRONT PANEL 1700x515	✓	✓
	END PANEL 700x515	✓	✓
	SCREEN CFS-1 (H=1400MM)	✓	✓
	SCREEN CFS-2 (H=1500MM)	✓	✓
	GRIPS CCG-2	✓	✓



Carronite



Panel



Hand Grips



Water Saver

**WATER CAPACITY**

145 LTR

This measurement is taken to the overflow

**WHIRLPOOL COMPATIBLE**

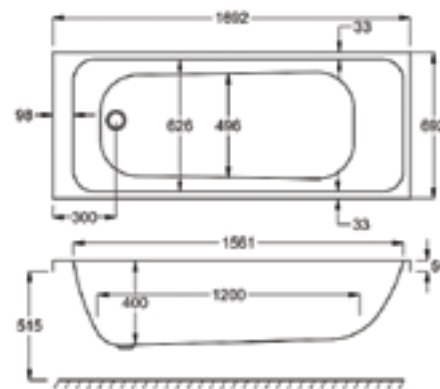
N/A

**KIT REFERENCES**

STANDARD - AK-02

CARRONITE - AK-02-C

		5MM	CARRONITE
L 1700MM	<b>PROFILE</b>	✓	✓
W 700MM	L-PANEL 1700x700x515	-	✓
	FRONT PANEL 1700x515	✓	✓
	END PANEL 700x515	✓	✓
	SCREEN CFS-1 (H=1400MM)	✓	✓
	SCREEN CFS-2 (H=1500MM)	✓	✓



Carronite



Panel

**WATER CAPACITY**

218 LTR

This measurement is taken to the overflow

**WHIRLPOOL COMPATIBLE**

N/A

**KIT REFERENCES**

STANDARD - AK-01

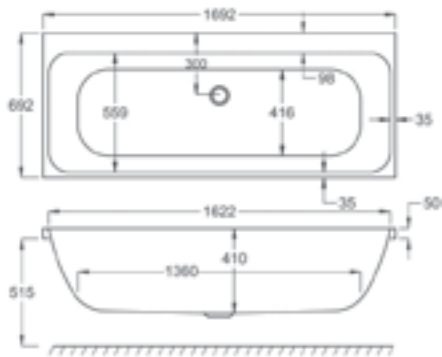
CARRONITE - AK-01-C

# PROFILE DUO

L 1700MM  
W 700MM

New Model

	5MM	CARRONITE
<b>PROFILE DUO</b>	✓	✓
L-SHAPED PANEL 1700x700x515	-	✓
FRONT PANEL 1700x515	✓	✓
END PANEL 700x515	✓	✓
SCREEN CFS-1 (H=1400MM)	✓	✓
SCREEN CFS-2 (H=1500MM)	✓	✓



**WATER CAPACITY**  
205 LTR  
This measurement is taken to the overflow

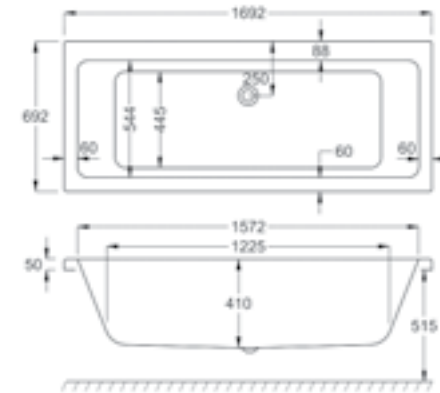
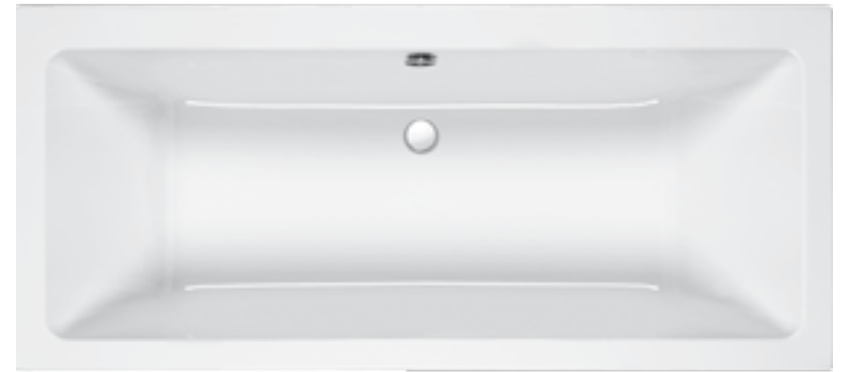
**WHIRLPOOL COMPATIBLE**  
N/A

**KIT REFERENCES**  
STANDARD - AK-01  
CARRONITE - AK-01-C

# QUANTUM DUO

L 1700MM  
W 700MM

	5MM	CARRONITE
<b>QUANTUM DUO</b>	✓	✓
L-SHAPED PANEL 1700x700x515	-	✓
FRONT PANEL 1700x515	✓	✓
END PANEL 700x515	✓	✓
SCREEN CFS-1 (H=1400MM)	✓	✓
SCREEN CFS-2 (H=1500MM)	✓	✓



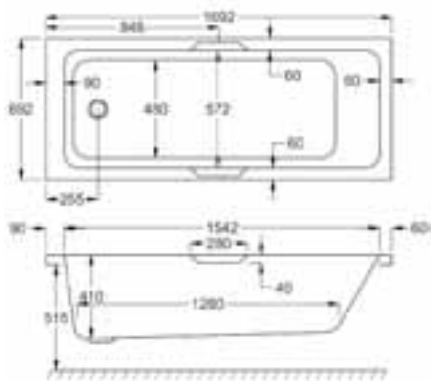
**WATER CAPACITY**  
165 LTR  
This measurement is taken to the overflow

**WHIRLPOOL COMPATIBLE**  
C-LENDA SYSTEMS  
1 & 4

**KIT REFERENCES**  
STANDARD - AK-01  
CARRONITE - AK-01-C

# QUANTUM INTEGRA

		5MM	CARRONITE
L 1700MM	QUANTUM INTEGRA	✓	✓
W 700MM	L-SHAPED PANEL 1700x700x515	-	✓
	FRONT PANEL 1700x515	✓	✓
	END PANEL 700x515	✓	✓
	SCREEN CFS-1 (H=1400MM)	✓	✓
	SCREEN CFS-2 (H=1500MM)	✓	✓



Carronite



Panel



Hand Grips



Whirlpool

## WATER CAPACITY

228 LTR

This measurement is taken to the overflow

## WHIRLPOOL COMPATIBLE

C-LENDA SYSTEMS

1 &amp; 4

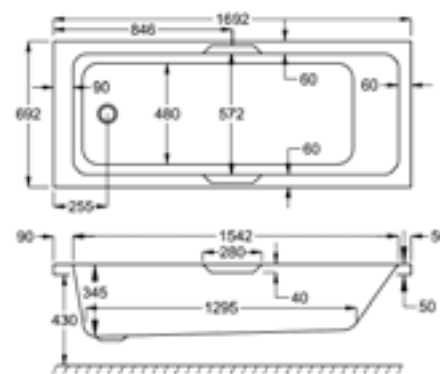
## KIT REFERENCES

STANDARD - AK-01

CARRONITE - AK-01-C

# QUANTUM INTEGRA ECO 430

		5MM	CARRONITE
L 1700MM	QUANTUM INTEGRA	✓	✓
W 700MM	L-SHAPED PANEL 1700x700x430	-	✓
	FRONT PANEL 1700x430	✓	✓
	END PANEL 700x430	✓	✓
	SCREEN CFS-1 (H=1400MM)	✓	✓
	SCREEN CFS-2 (H=1500MM)	✓	✓



Carronite



Panel



Hand Grips



Ease of Access



Water Saver

## WATER CAPACITY

174 LTR

This measurement is taken to the overflow

## WHIRLPOOL COMPATIBLE

N/A

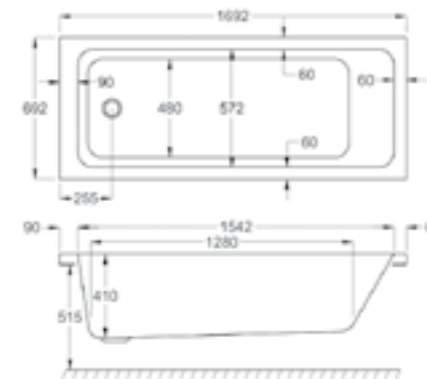
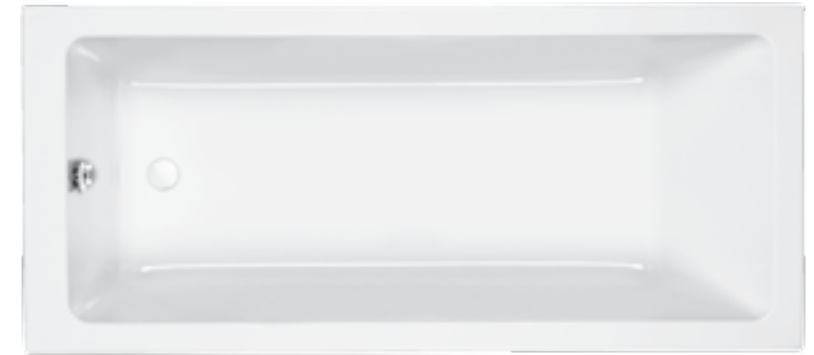
## KIT REFERENCES

STANDARD - AK-01

CARRONITE - AK-01-C

# QUANTUM SE

		5MM	CARRONITE
L 1700MM	QUANTUM SE	✓	✓
W 700MM	L-SHAPED PANEL 1700x700x515	-	✓
	FRONT PANEL 1700x515	✓	✓
	END PANEL 700x515	✓	✓
	SCREEN CFS-1 (H=1400MM)	✓	✓
	SCREEN CFS-2 (H=1500MM)	✓	✓



-  Carronite
-  Panel
-  Whirlpool

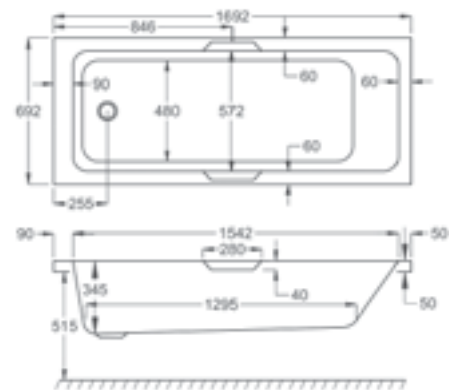
**WATER CAPACITY**  
228 LTR  
This measurement is taken to the overflow

**WHIRLPOOL COMPATIBLE**  
C-LENDIA SYSTEMS  
1 & 4

**KIT REFERENCES**  
STANDARD - AK-01  
CARRONITE - AK-01-C

# QUANTUM INTEGRA ECO 515

		5MM	CARRONITE
L 1700MM	QUANTUM INTEGRA ECO 515	✓	✓
W 700MM	L-SHAPED PANEL 1700x700x515	-	✓
	FRONT PANEL 1700x515	✓	✓
	END PANEL 700x515	✓	✓
	SCREEN CFS-1 (H=1400MM)	✓	✓
	SCREEN CFS-2 (H=1500MM)	✓	✓



-  Carronite
-  Panel
-  Hand Grips
-  Water Saver

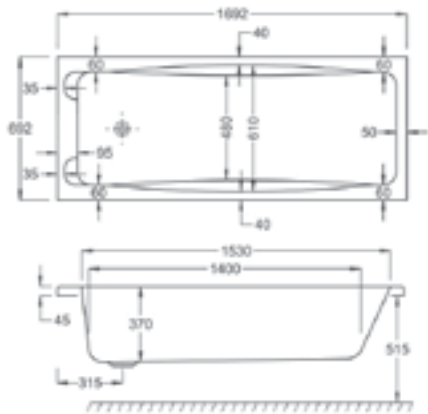
**WATER CAPACITY**  
174 LTR  
This measurement is taken to the overflow

**WHIRLPOOL COMPATIBLE**  
N/A

**KIT REFERENCES**  
STANDARD - AK-02  
CARRONITE - AK-02-C

# SWALLOW TG

		5MM	8MM	CARRONITE
L 1700MM	SWALLOW TG	✓	✓	✓
W 700MM	L-SHAPED PANEL 1700x700x515	-	-	✓
	FRONT PANEL 1700x515	✓	-	✓
	END PANEL 700x515	✓	-	✓
	SCREEN CFS-1 (H=1400MM)	✓	✓	✓
	SCREEN CFS-2 (H=1500MM)	✓	✓	✓



-  Carronite
-  Panel
-  Hand Grips

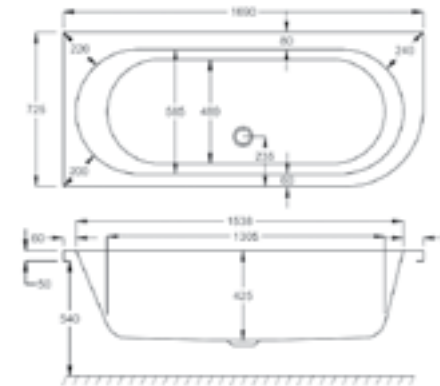
**WATER CAPACITY**  
182 LTR  
This measurement is taken to the overflow

**WHIRLPOOL COMPATIBLE**  
N/A

**KIT REFERENCES**  
STANDARD - AK-02  
CARRONITE - AK-02-C

# STATUS

		5MM	CARRONITE
L 1700MM	STATUS	✓	✓
W 725MM	FRONT PANEL 725	✓	✓
	SCREEN CFS-1 (H=1400MM)	✓	✓
	SCREEN CFS-2 (H=1500MM)	✓	✓



Left hand and right hand baths available.  
Right hand bath shown.

-  Carronite
-  Panel
-  Whirlpool

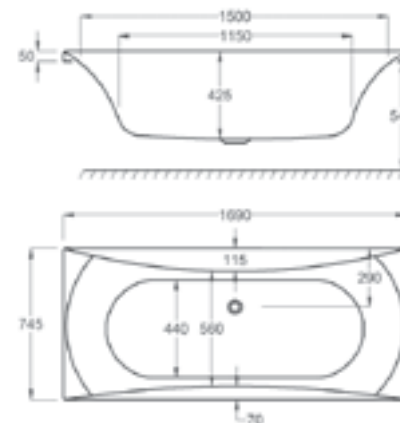
**WATER CAPACITY**  
205 LTR  
This measurement is taken to the overflow

**WHIRLPOOL COMPATIBLE**  
C-LENDA SYSTEMS  
1 & 4

**KIT REFERENCES**  
STANDARD - AK-01  
CARRONITE - AK-01-C

## ALPHA

		5MM	CARRONITE
L 1700MM	ALPHA	✓	✓
W 750MM	L-SHAPED PANEL 1700x750x540	-	✓
	FRONT PANEL 1700x540	✓	✓
	END PANEL 750x540	✓	✓



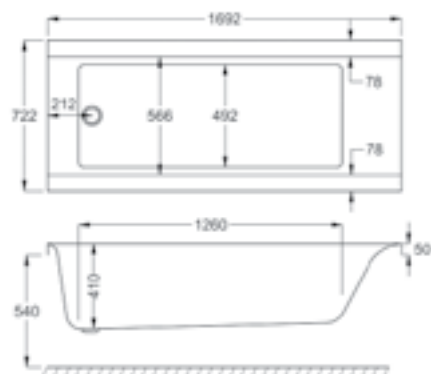
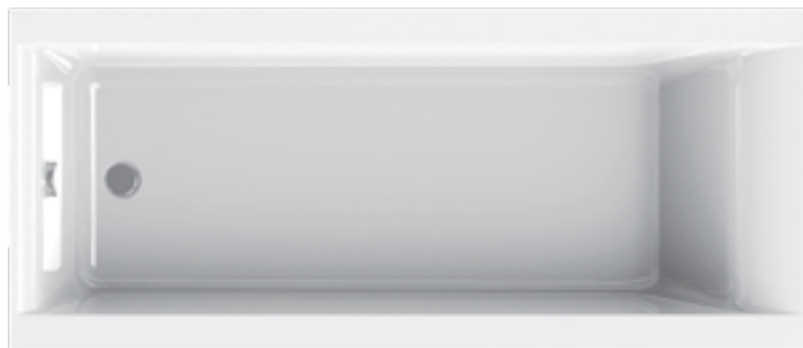
**WHIRLPOOL COMPATIBLE**  
C-LENDA SYSTEMS  
1, 2, 3, 4, 5, 6

**WATER CAPACITY**  
175 LTR  
This measurement is taken to the overflow

**KIT REFERENCES**  
STANDARD - AK-01  
CARRONITE - AK-01-C

## URBAN

		5MM	CARRONITE
L 1700MM	URBAN	✓	✓
W 725MM	L-SHAPED PANEL 1700x725x540	-	✓
	FRONT PANEL 1700x540	✓	✓
	END PANEL 725x540	✓	✓
	SCREEN CFS-1 (H=1400MM)	✓	✓
	SCREEN CFS-2 (H=1500MM)	✓	✓



The Urban Bath accommodates tapholes on side ledge only.



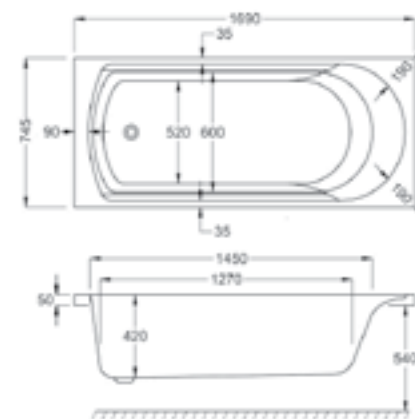
**WHIRLPOOL COMPATIBLE**  
C-LENDA SYSTEMS  
1, 2, 3, 4, 5, 6

**WATER CAPACITY**  
224 LTR  
This measurement is taken to the overflow

**KIT REFERENCES**  
STANDARD - AK-01  
CARRONITE - AK-01-C

## ARC SE

		5MM	CARRONITE
L 1700MM	ARC SE	✓	✓
W 750MM	L-SHAPED PANEL 1700x750x540	-	✓
	FRONT PANEL 1700x540	✓	✓
	END PANEL 750x540	✓	✓
	SCREEN CFS-1 (H=1400MM)	✓	✓
	SCREEN CFS-2 (H=1500MM)	✓	✓
	GRIPS CCG-2	✓	✓



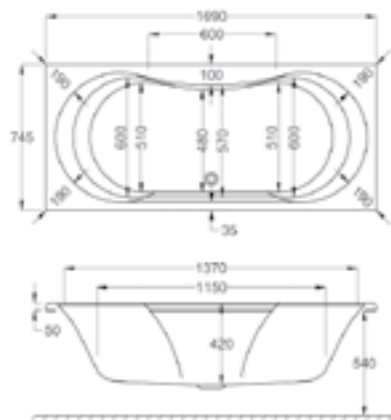
**WATER CAPACITY**  
195 LTR  
This measurement is taken to the overflow

**WHIRLPOOL COMPATIBLE**  
C-LENDA SYSTEMS  
1, 2, 3, 4, 5, 6

**KIT REFERENCES**  
STANDARD - AK-01  
CARRONITE - AK-01-C

## ARC DUO

		5MM	CARRONITE
L 1700MM	ARC DUO	✓	✓
W 750MM	L-SHAPED PANEL 1700x750x540	-	✓
	FRONT PANEL 1700x540	✓	✓
	END PANEL 750x540	✓	✓



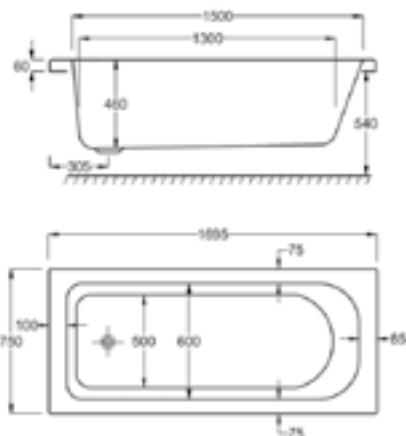
**WATER CAPACITY**  
190 LTR  
This measurement is taken to the overflow

**WHIRLPOOL COMPATIBLE**  
C-LENDA SYSTEMS  
1, 2, 3, 4, 5, 6

**KIT REFERENCES**  
STANDARD - AK-01  
CARRONITE - AK-01-C

## BRITANNIA

		5MM	CARRONITE
L 1700MM	BRITANNIA	✓	✓
W 750MM	L-SHAPED PANEL 1700x750x540	-	✓
	FRONT PANEL 1700x540	✓	✓
	END PANEL 750x540	✓	✓



Carronite



Panel



Whirlpool

**WATER CAPACITY**

210 LTR

This measurement is taken to the overflow

**WHIRLPOOL COMPATIBLE**

C-LENDIA SYSTEMS

1 &amp; 4

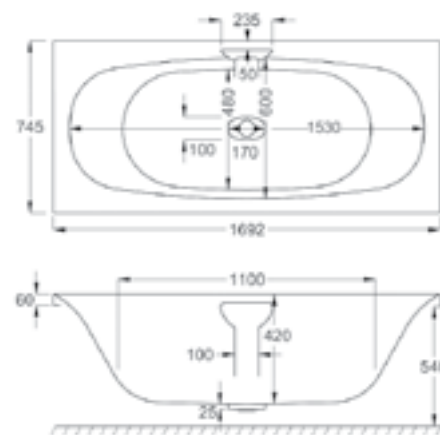
**KIT REFERENCES**

STANDARD - AK-01

CARRONITE - AK-01-C

## ECHELON (INCLUDES FILLER)

		5MM	CARRONITE
L 1700MM	ECHELON (INCLUDES FILLER)	✓	✓
W 750MM	L-SHAPED PANEL 1700x750x540	-	✓
	FRONT PANEL 1700x540	✓	✓
	END PANEL 750x540	✓	✓



Carronite



Panel

**WATER CAPACITY**

209 LTR

This measurement is taken to the overflow

**WHIRLPOOL COMPATIBLE**

N/A

**KIT REFERENCES**

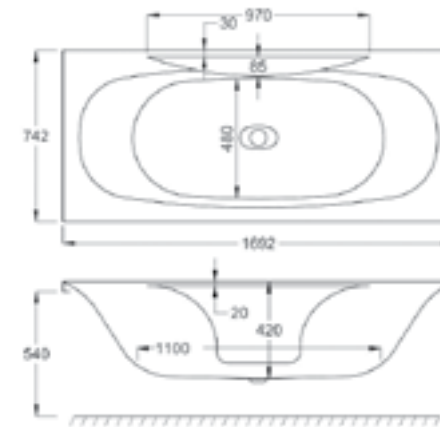
STANDARD - AK-01

CARRONITE - AK-01-C



## EQUITY

		5MM	CARRONITE
L 1700MM	<b>EQUITY</b>	✓	✓
W 750MM	L-SHAPED PANEL 1700x750x540	-	✓
	FRONT PANEL 1700x540	✓	✓
	END PANEL 750x540	✓	✓



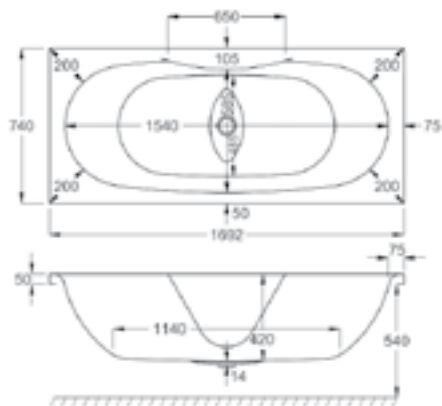
**WATER CAPACITY**  
204 LTR  
This measurement is taken to the overflow

**WHIRLPOOL COMPATIBLE**  
C-LENDA SYSTEMS  
1, 2, 3, 4, 5, 6

**KIT REFERENCES**  
STANDARD - AK-01  
CARRONITE - AK-01-C

## EQUATION

		5MM	CARRONITE
L 1700MM	<b>EQUATION</b>	✓	✓
W 750MM	L-SHAPED PANEL 1700x750x540	-	✓
	FRONT PANEL 1700x540	✓	✓
	END PANEL 750x540	✓	✓

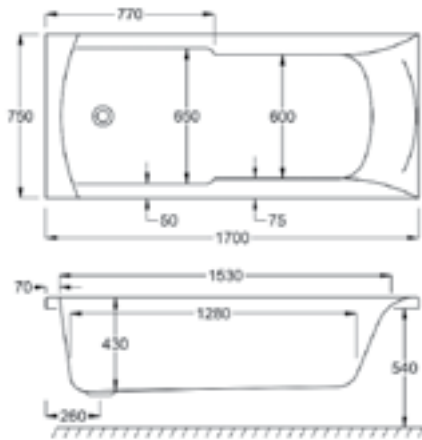


**WATER CAPACITY**  
205 LTR  
This measurement is taken to the overflow

**WHIRLPOOL COMPATIBLE**  
C-LENDA SYSTEMS  
1, 2, 3, 4, 5, 6

**KIT REFERENCES**  
STANDARD - AK-01  
CARRONITE - AK-01-C

		5MM	CARRONITE
L 1700MM	<b>INDEX</b>	✓	✓
W 750MM	L-SHAPED PANEL 1700x750x540	-	✓
	FRONT PANEL 1700x540	✓	✓
	END PANEL 750x540	✓	✓
	SCREEN CFS-1 (H=1400MM)	✓	✓
	SCREEN CFS-2 (H=1500MM)	✓	✓
	GRIPS CCG-2	✓	✓



Carronite



Panel



Hand Grips

**WATER CAPACITY**

195 LTR

This measurement is taken to the overflow

**WHIRLPOOL COMPATIBLE**

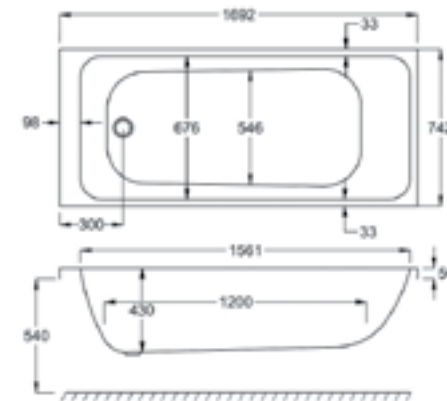
N/A

**KIT REFERENCES**

STANDARD - AK-01

CARRONITE - AK-01-C

		5MM	CARRONITE
L 1700MM	<b>PROFILE</b>	✓	✓
W 750MM	L-SHAPED PANEL 1700x750x540	-	✓
	FRONT PANEL 1700x540	✓	✓
	END PANEL 750x540	✓	✓
	SCREEN CFS-1 (H=1400MM)	✓	✓
	SCREEN CFS-2 (H=1500MM)	✓	✓



Carronite



Panel

**WATER CAPACITY**

257 LTR

This measurement is taken to the overflow

**WHIRLPOOL COMPATIBLE**

N/A

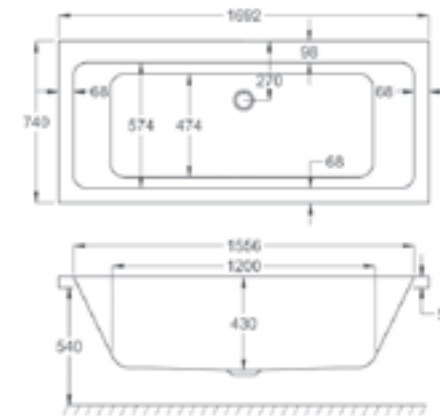
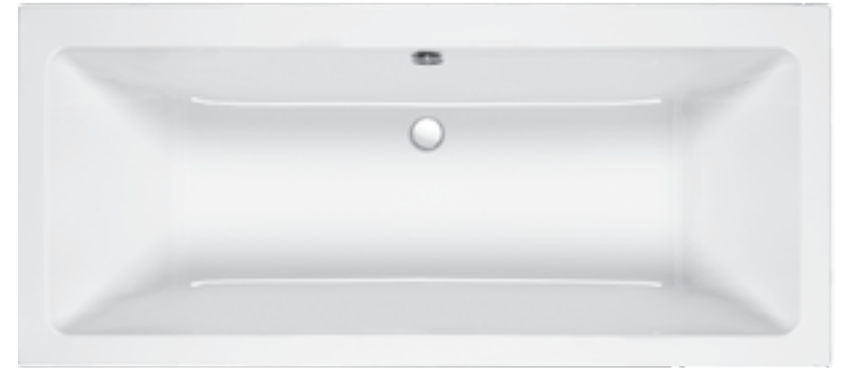
**KIT REFERENCES**

STANDARD - AK-01

CARRONITE - AK-01-C

# QUANTUM DUO

		5MM	CARRONITE
L 1700MM	QUANTUM DUO	✓	✓
W 750MM	L-SHAPED PANEL 1700x750x540	-	✓
	FRONT PANEL 1700x540	✓	✓
	END PANEL 750x540	✓	✓
	SCREEN CFS-1 (H=1400MM)	✓	✓
	SCREEN CFS-2 (H=1500MM)	✓	✓



-   
Carronite
-   
Panel
-   
Whirlpool

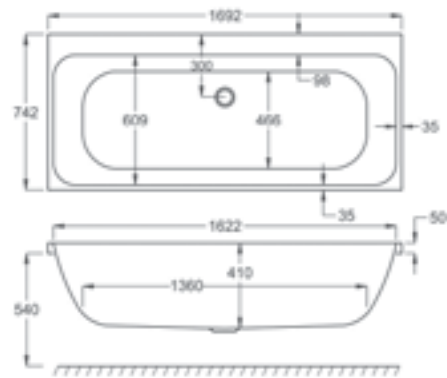
**WATER CAPACITY**  
190 LTR  
This measurement is taken to the overflow

**WHIRLPOOL COMPATIBLE**  
C-LENDA SYSTEMS  
1 & 4

**KIT REFERENCES**  
STANDARD - AK-01  
CARRONITE - AK-01-C

# PROFILE DUO

		5MM	CARRONITE
L 1700MM	PROFILE DUO	✓	✓
W 750MM	L-SHAPED PANEL 1700x750x540	-	✓
	FRONT PANEL 1700x540	✓	✓
	END PANEL 750x540	✓	✓
	SCREEN CFS-1 (H=1400MM)	✓	✓
	SCREEN CFS-2 (H=1500MM)	✓	✓



-   
Carronite
-   
Panel

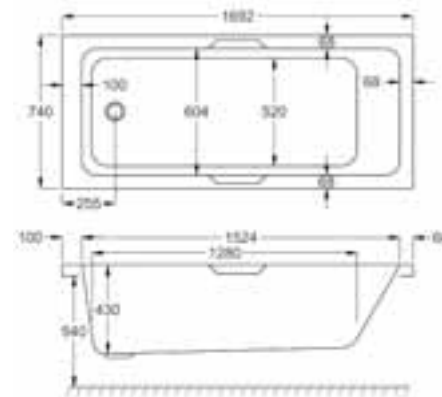
**WATER CAPACITY**  
230 LTR  
This measurement is taken to the overflow

**WHIRLPOOL COMPATIBLE**  
N/A

**KIT REFERENCES**  
STANDARD - AK-03  
CARRONITE - AK-03-C

## QUANTUM INTEGRA

		5MM	CARRONITE
L 1700MM	QUANTUM INTEGRA	✓	✓
W 750MM	L-SHAPED PANEL 1700x750x540	-	✓
	FRONT PANEL 1700x540	✓	✓
	END PANEL 750x540	✓	✓
	SCREEN CFS-1 (H=1400MM)	✓	✓
	SCREEN CFS-2 (H=1500MM)	✓	✓



**WATER CAPACITY**  
240 LTR

This measurement is taken to the overflow

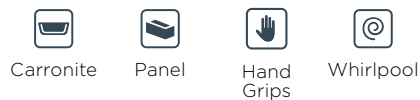
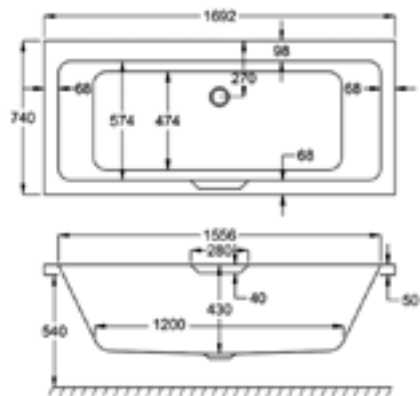
**WHIRLPOOL COMPATIBLE**  
C-LENDA SYSTEMS  
1, 2, 3, 4, 5, 6

**KIT REFERENCES**  
STANDARD - AK-01  
CARRONITE - AK-01-C

## QUANTUM INTEGRA DUO

		5MM	CARRONITE
L 1700MM	QUANTUM INTEGRA DUO	✓	✓
W 750MM	L-SHAPED PANEL 1700x750x540	-	✓
	FRONT PANEL 1700x540	✓	✓
	END PANEL 750x540	✓	✓
	SCREEN CFS-1 (H=1400MM)	✓	✓
	SCREEN CFS-2 (H=1500MM)	✓	✓

New Model



**WATER CAPACITY**  
267 LTR

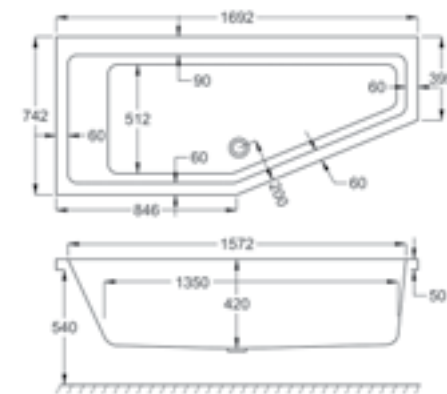
This measurement is taken to the overflow

**WHIRLPOOL COMPATIBLE**  
C-LENDA SYSTEMS  
1 & 4

**KIT REFERENCES**  
STANDARD - AK-03  
CARRONITE - AK-03-C

## QUANTUM SPACESAVER

		5MM	CARRONITE
L	1700MM		
W	750 - 400MM		
	<b>QUANTUM SPACESAVER</b>	✓	✓
	FRONT PANEL SPACE SAVER	✓	✓
	END PANEL SPACE SAVER	✓	✓
	SCREEN QSS-2	✓	✓
	SCREEN CFS-1 (H=1400MM)	✓	✓



Left hand and right hand baths available.  
Right hand bath shown.

QSS Hinged Screen recommended.



Carronite Panel Whirlpool

### WATER CAPACITY

211 LTR

This measurement is taken to the overflow

### WHIRLPOOL COMPATIBLE

C-LENDA SYSTEMS

1 & 4

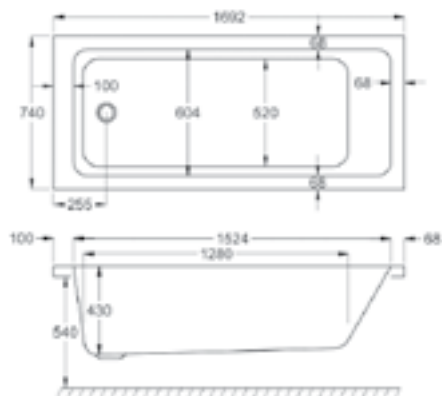
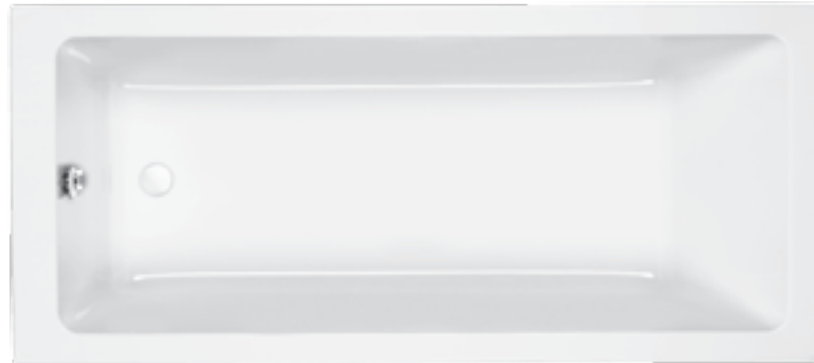
### KIT REFERENCES

STANDARD - AK-10-C

CARRONITE - AK-10-C

## QUANTUM SE

		5MM	CARRONITE
L	1700MM		
W	750MM		
	<b>QUANTUM SE</b>	✓	✓
	L-SHAPED PANEL 1700x750x540	-	✓
	FRONT PANEL 1700x540	✓	✓
	END PANEL 750x540	✓	✓
	SCREEN CFS-1 (H=1400MM)	✓	✓
	SCREEN CFS-2 (H=1500MM)	✓	✓



Carronite Panel Whirlpool

### WATER CAPACITY

240 LTR

This measurement is taken to the overflow

### WHIRLPOOL COMPATIBLE

C-LENDA SYSTEMS

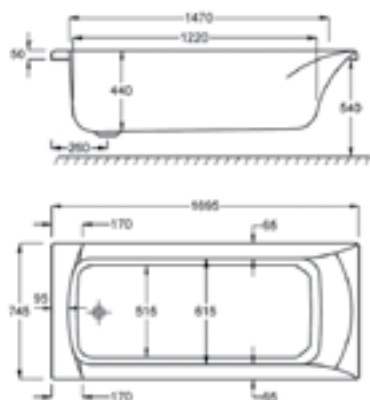
1, 2, 3, 4, 5, 6

### KIT REFERENCES

STANDARD - AK-01

CARRONITE - AK-01-C

		5MM	CARRONITE
L 1700MM	<b>SIGMA</b>	✓	✓
W 750MM	L-SHAPED PANEL 1700x750x540	-	✓
	FRONT PANEL 1700x540	✓	✓
	END PANEL 750x540	✓	✓
	SCREEN CFS-1 (H=1400MM)	✓	✓
	SCREEN CFS-2 (H=1500MM)	✓	✓
	GRIPS CCG-1	✓	✓



Carronite



Panel



Hand Grips



Whirlpool

**WATER CAPACITY**

195 LTR

This measurement is taken to the overflow

**WHIRLPOOL COMPATIBLE**

C-LENDA SYSTEMS

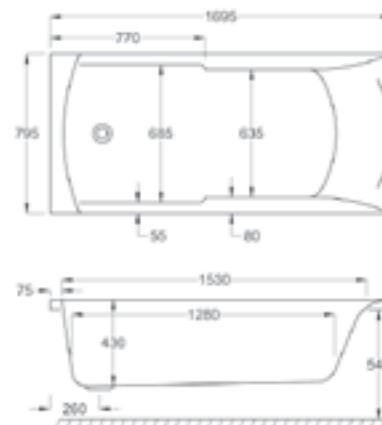
1, 2, 3, 4, 5, 6

**KIT REFERENCES**

STANDARD - AK-01

CARRONITE - AK-01-C

		5MM	CARRONITE
L 1700MM	<b>APEX</b>	✓	✓
W 800MM	L-SHAPED PANEL 1700x800x540	-	✓
	FRONT PANEL 1700x540	✓	✓
	END PANEL 800x540	✓	✓
	SCREEN CFS-1 (H=1400MM)	✓	✓
	SCREEN CFS-2 (H=1500MM)	✓	✓
	GRIPS CCG-2	✓	✓



Carronite



Panel



Hand Grips

**WATER CAPACITY**

210 LTR

This measurement is taken to the overflow

**WHIRLPOOL COMPATIBLE**

N/A

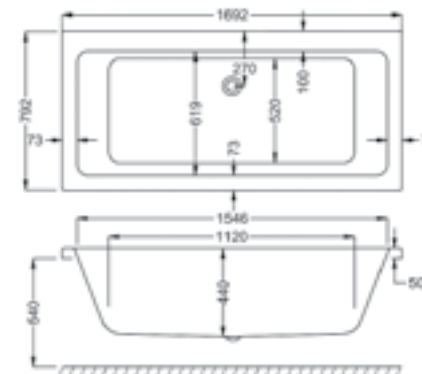
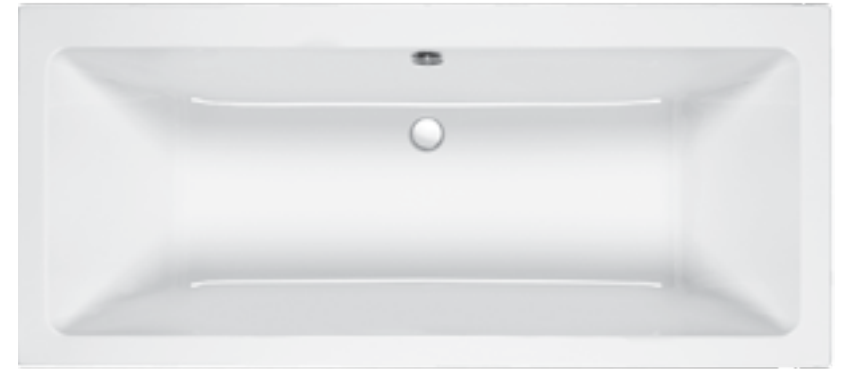
**KIT REFERENCES**

STANDARD - AK-03

CARRONITE - AK-03-C

# QUANTUM DUO

		5MM	CARRONITE
L 1700MM	QUANTUM DUO	✓	✓
W 800MM	L-SHAPED PANEL 1700x800x540	-	✓
	FRONT PANEL 1700x540	✓	✓
	END PANEL 800x540	✓	✓
	SCREEN CFS-1 (H=1400MM)	✓	✓
	SCREEN CFS-2 (H=1500MM)	✓	✓



Carronite

Panel

Whirlpool

**WATER CAPACITY**  
200 LTR

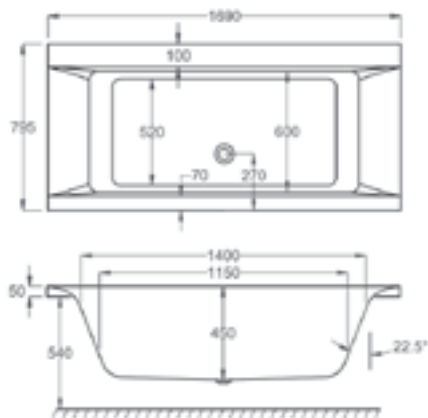
This measurement is taken to the overflow

**WHIRLPOOL COMPATIBLE**  
C-LENDA SYSTEMS  
1, 2, 3, 4, 5, 6

**KIT REFERENCES**  
STANDARD - AK-03  
CARRONITE - AK-03-C

# HAIKU

		5MM	CARRONITE
L 1700MM	HAIKU	✓	✓
W 800MM	L-SHAPED PANEL 1700x800x540	-	✓
	HAIKU FRONT PANEL 1700x540	✓	✓
	HAIKU END PANEL 800x540	✓	✓



Carronite

Panel

Whirlpool

**WATER CAPACITY**  
220 LTR

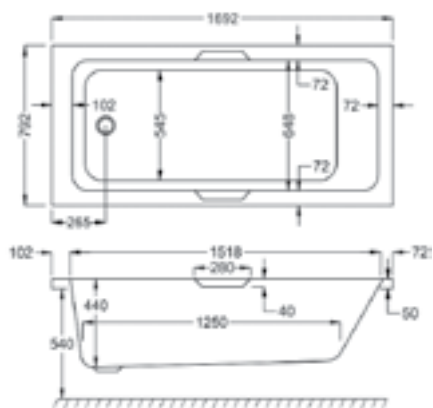
This measurement is taken to the overflow

**WHIRLPOOL COMPATIBLE**  
C-LENDA SYSTEMS  
1, 2, 3, 4, 5, 6

**KIT REFERENCES**  
STANDARD - AK-03  
CARRONITE - AK-03-C

# QUANTUM INTEGRA

		5MM	CARRONITE
L 1700MM	<b>QUANTUM INTEGRA</b>	✓	✓
W 800MM	L-SHAPED PANEL 1700x800x540	-	✓
	FRONT PANEL 1700x540	✓	✓
	END PANEL 800x540	✓	✓
	SCREEN CFS-1 (H=1400MM)	✓	✓
	SCREEN CFS-2 (H=1500MM)	✓	✓



Carronite



Panel



Hand Grips



Whirlpool

## WATER CAPACITY

267 LTR

This measurement is taken to the overflow

## WHIRLPOOL COMPATIBLE

C-LENDA SYSTEMS

1, 2, 3, 4, 5, 6

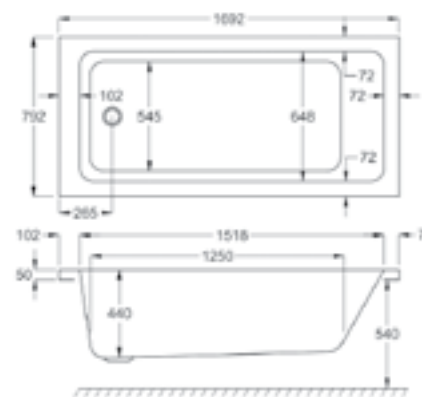
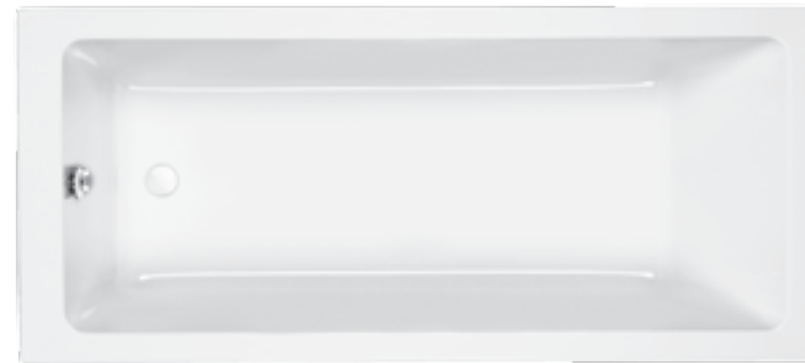
## KIT REFERENCES

STANDARD - AK-03

CARRONITE - AK-03-C

# QUANTUM SE

		5MM	CARRONITE
L 1700MM	<b>QUANTUM SE</b>	✓	✓
W 800MM	L-SHAPED PANEL 1700x800x540	-	✓
	FRONT PANEL 1700x540	✓	✓
	END PANEL 800x540	✓	✓
	SCREEN CFS-1 (H=1400MM)	✓	✓
	SCREEN CFS-2 (H=1500MM)	✓	✓



Carronite



Panel



Whirlpool

## WATER CAPACITY

267 LTR

This measurement is taken to the overflow

## WHIRLPOOL COMPATIBLE

C-LENDA SYSTEMS

1, 2, 3, 4, 5, 6

## KIT REFERENCES

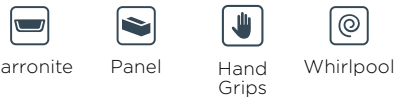
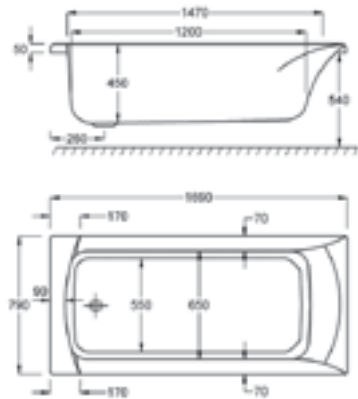
STANDARD - AK-03

CARRONITE - AK-03-C



L 1700MM  
W 800MM

	5MM	CARRONITE
<b>SIGMA</b>	✓	✓
L-SHAPED PANEL 1700x800x540	-	✓
FRONT PANEL 1700x540	✓	✓
END PANEL 800x540	✓	✓
SCREEN CFS-1 (H=1400MM)	✓	✓
SCREEN CFS-2 (H=1500MM)	✓	✓
GRIPS CCG-1	✓	✓



Carronite Panel Hand Grips Whirlpool

**WATER CAPACITY**  
220 LTR

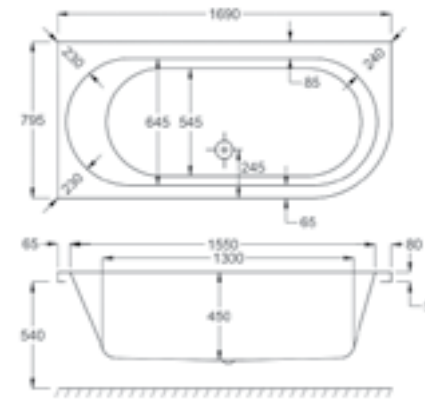
This measurement is taken to the overflow

**WHIRLPOOL COMPATIBLE**  
C-LENDA SYSTEMS  
1, 2, 3, 4, 5, 6

**KIT REFERENCES**  
STANDARD - AK-03  
CARRONITE - AK-03-C

L 1700MM  
W 800MM

	5MM	CARRONITE
<b>STATUS</b>	✓	✓
STATUS FRONT PANEL 17.80	✓	✓
SCREEN CFS-1 (H=1400MM)	✓	✓
SCREEN CFS-2 (H=1500MM)	✓	✓



Carronite Panel Whirlpool

Left hand and right hand baths available.  
Right hand bath shown.

**WATER CAPACITY**  
250 LTR

This measurement is taken to the overflow

**WHIRLPOOL COMPATIBLE**  
C-LENDA SYSTEMS  
1, 2, 3, 4, 5, 6

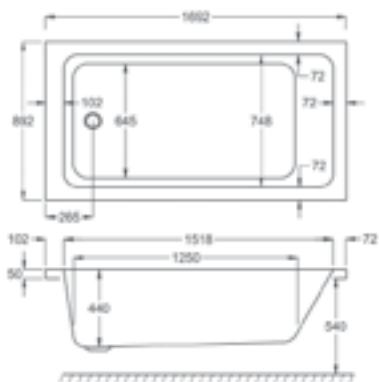
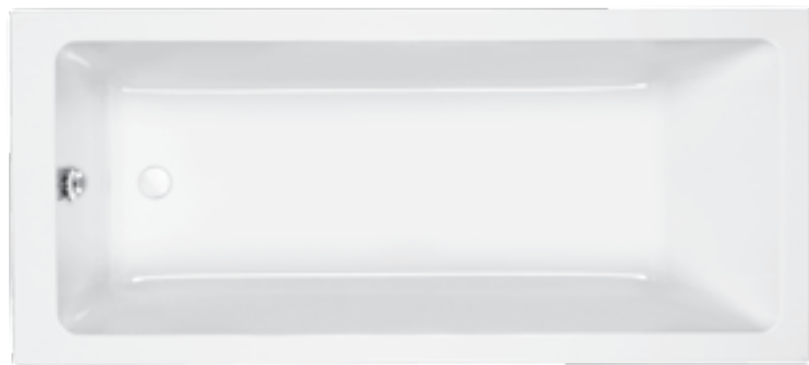
**KIT REFERENCES**  
STANDARD - AK-03  
CARRONITE - AK-03-C

# QUANTUM SE

L 1700MM  
W 900MM

New  
Size

	5MM	CARRONITE
<b>QUANTUM SE</b>	✓	✓
FRONT PANEL 1700x540	✓	✓
END PANEL 900x540	✓	✓
SCREEN CFS-1 (H=1400MM)	✓	✓
SCREEN CFS-2 (H=1500MM)	✓	✓



Carronite



Panel



Whirlpool

## WATER CAPACITY

318 LTR

This measurement is taken to the overflow

## WHIRLPOOL COMPATIBLE

C-LENDA SYSTEMS

1, 2, 3, 4, 5, 6

## KIT REFERENCES

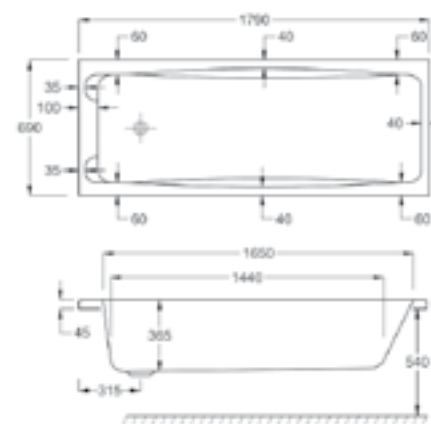
STANDARD - AK-03

CARRONITE - AK-03-C

# SWALLOW TG

L 1800MM  
W 700MM

	5MM	CARRONITE
<b>SWALLOW TG</b>	✓	✓
FRONT PANEL 1800x540	✓	✓
END PANEL 700x540	✓	✓
SCREEN CFS-1 (H=1400MM)	✓	✓
SCREEN CFS-2 (H=1500MM)	✓	✓



Carronite



Panel



Hand Grips

## WATER CAPACITY

185 LTR

This measurement is taken to the overflow

## WHIRLPOOL COMPATIBLE

N/A

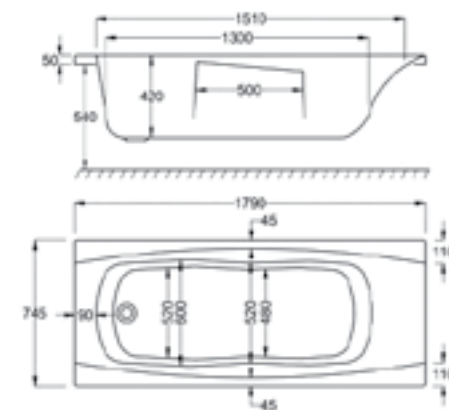
## KIT REFERENCES





STANDARD - AK-02

CARRONITE - AK-02-C

# IMPERIAL TG

		5MM	CARRONITE
L 1800MM	IMPERIAL TG	✓	✓
W 750MM	FRONT PANEL 1800x540	✓	✓
	END PANEL 750x540	✓	✓
	SCREEN CFS-1 (H=1400MM)	✓	✓
	SCREEN CFS-2 (H=1500MM)	✓	✓



-   
Carronite
-   
Panel
-   
Hand Grips
-   
Whirlpool

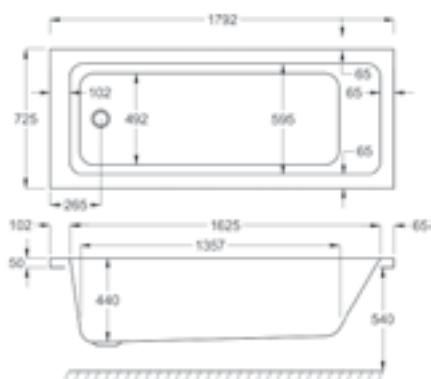
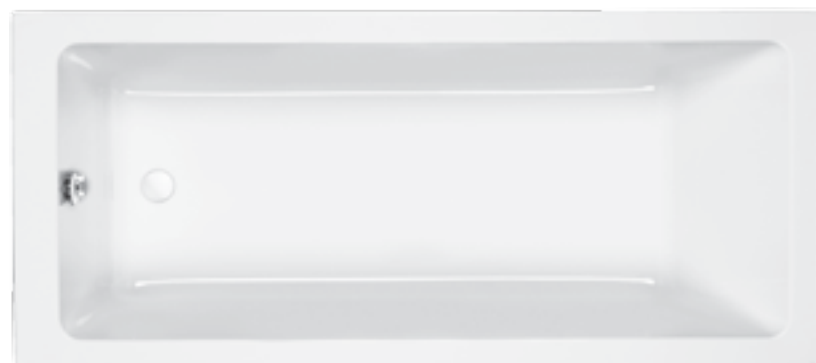
**WATER CAPACITY**  
210 LTR  
This measurement is taken to the overflow

**WHIRLPOOL COMPATIBLE**  
C-LENDA SYSTEMS  
1, 2, 3, 4, 5, 6

**KIT REFERENCES**  
STANDARD - AK-01  
CARRONITE - AK-01-C

# QUANTUM SE

		5MM	CARRONITE
L 1800MM	QUANTUM SE	✓	✓
W 725MM	FRONT PANEL 1800x540	✓	✓
	END PANEL 725x540	✓	✓
	SCREEN CFS-1 (H=1400MM)	✓	✓
	SCREEN CFS-2 (H=1500MM)	✓	✓



-   
Carronite
-   
Panel
-   
Whirlpool

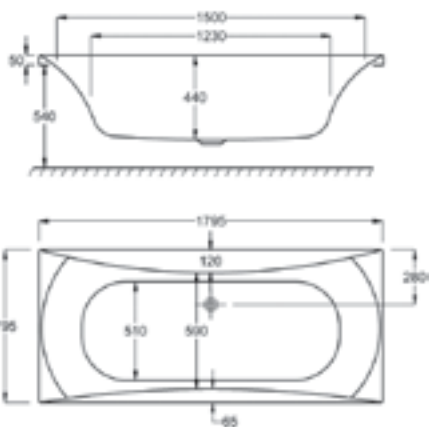
**WATER CAPACITY**  
266 LTR  
This measurement is taken to the overflow

**WHIRLPOOL COMPATIBLE**  
C-LENDA SYSTEMS  
1, 2, 3, 4, 5, 6

**KIT REFERENCES**  
STANDARD - AK-01  
CARRONITE - AK-01-C

L 1800MM  
W 800MM

	5MM	CARRONITE
ALPHA	✓	✓
L-SHAPED PANEL 1800x800x540	-	✓
FRONT PANEL 1800x540	✓	✓
END PANEL 800x540	✓	✓



Carronite



Panel



Whirlpool

**WATER CAPACITY**

220 LTR

This measurement is taken to the overflow

**WHIRLPOOL COMPATIBLE**

C-LENDA SYSTEMS

1, 2, 3, 4, 5, 6

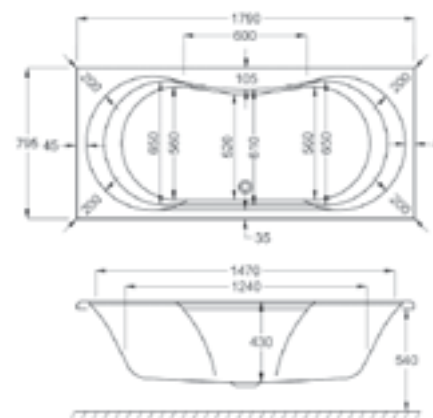
**KIT REFERENCES**

STANDARD - AK-03

CARRONITE - AK-03-C

L 1800MM  
W 800MM

	5MM	CARRONITE
ARC DUO	✓	✓
L-SHAPED PANEL 1800x800x540	-	✓
FRONT PANEL 1800x540	✓	✓
END PANEL 800x540	✓	✓



Carronite



Panel



Whirlpool

**WATER CAPACITY**

210 LTR

This measurement is taken to the overflow

**WHIRLPOOL COMPATIBLE**

C-LENDA SYSTEMS

1, 2, 3, 4, 5, 6

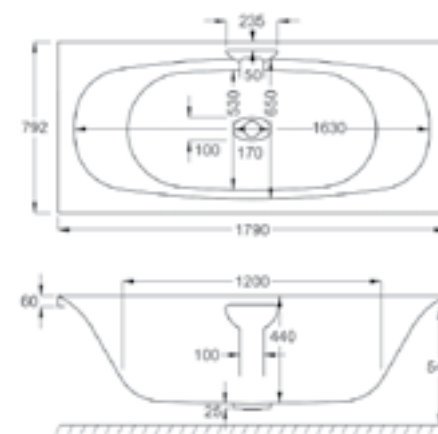
**KIT REFERENCES**

STANDARD - AK-03

CARRONITE - AK-03-C

# ECHELON (INCLUDES FILLER)

		5MM	CARRONITE
L 1800MM	ECHELON (INC FILLER)	✓	✓
W 800MM	L-SHAPED PANEL 1800x800x540	-	✓
	FRONT PANEL 1800x540	✓	✓
	END PANEL 800x540	✓	✓



-  Carronite
-  Panel

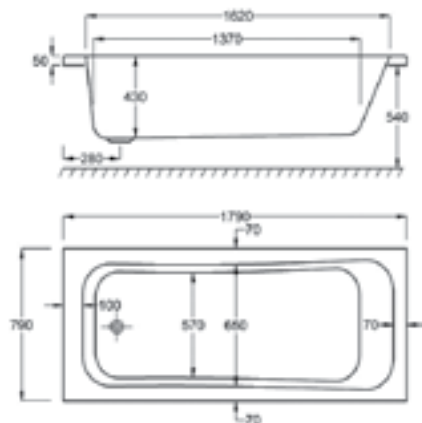
**WATER CAPACITY**  
230 LTR  
This measurement is taken to the overflow

**WHIRLPOOL COMPATIBLE**  
N/A

**KIT REFERENCES**  
STANDARD - AK-03  
CARRONITE - AK-03-C

# BRITANNIA

		5MM	CARRONITE
L 1800MM	BRITANNIA	✓	✓
W 800MM	L-SHAPED PANEL 1800x800x540	-	✓
	FRONT PANEL 1800x540	✓	✓
	END PANEL 800x540	✓	✓



-  Carronite
-  Panel
-  Hand Grips
-  Whirlpool

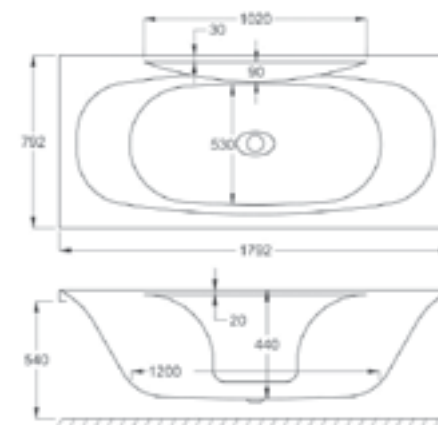
**WATER CAPACITY**  
245 LTR  
This measurement is taken to the overflow

**WHIRLPOOL COMPATIBLE**  
C-LENDIA SYSTEMS  
1 & 4

**KIT REFERENCES**  
STANDARD - AK-03  
CARRONITE - AK-03-C

# EQUITY

		5MM	CARRONITE
L 1800MM	<b>EQUITY</b>	✓	✓
W 800MM	L-SHAPED PANEL 1800x800x540	-	✓
	FRONT PANEL 1800x540	✓	✓
	END PANEL 800x540	✓	✓



-   
Carronite
-   
Panel
-   
Whirlpool

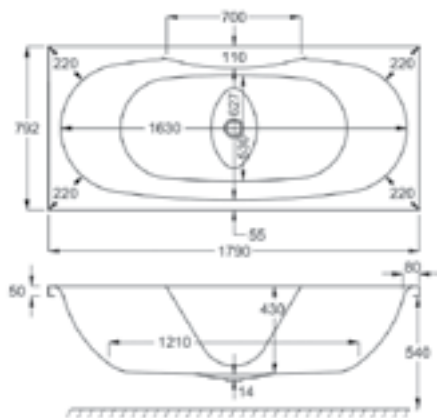
**WATER CAPACITY**  
225 LTR  
This measurement is taken to the overflow

**WHIRLPOOL COMPATIBLE**  
C-LENDA SYSTEMS  
1, 2, 3, 4, 5, 6

**KIT REFERENCES**  
STANDARD - AK-03  
CARRONITE - AK-03-C

# EQUATION

		5MM	CARRONITE
L 1800MM	<b>EQUATION</b>	✓	✓
W 800MM	L-SHAPED PANEL 1800x800x540	-	✓
	FRONT PANEL 1800x540	✓	✓
	END PANEL 800x540	✓	✓



-   
Carronite
-   
Panel
-   
Whirlpool

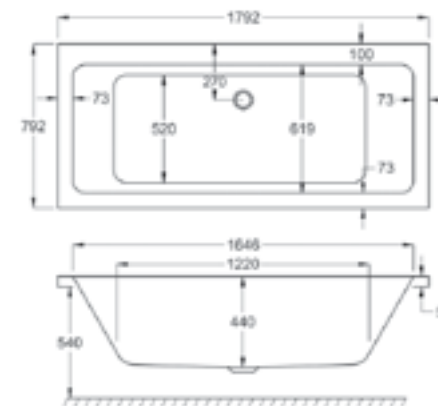
**WATER CAPACITY**  
233 LTR  
This measurement is taken to the overflow

**WHIRLPOOL COMPATIBLE**  
C-LENDA SYSTEMS  
1, 2, 3, 4, 5, 6

**KIT REFERENCES**  
STANDARD - AK-03  
CARRONITE - AK-03-C

# QUANTUM DUO

		5MM	CARRONITE
L 1800MM	QUANTUM DUO	✓	✓
W 800MM	L-SHAPED PANEL 1800x800x540	-	✓
	FRONT PANEL 1800x540	✓	✓
	END PANEL 800x540	✓	✓
	SCREEN CFS-1 (H=1400MM)	✓	✓
	SCREEN CFS-2 (H=1500MM)	✓	✓



-   
Carronite
-   
Panel
-   
Whirlpool

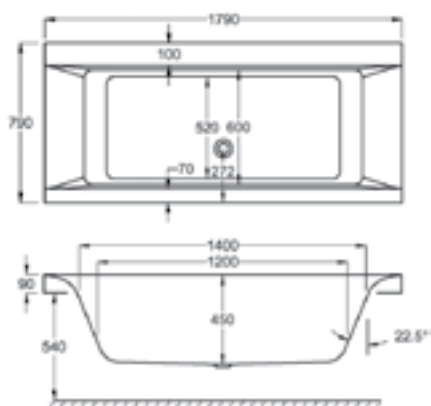
**WATER CAPACITY**  
230 LTR  
This measurement is taken to the overflow

**WHIRLPOOL COMPATIBLE**  
C-LENDA SYSTEMS  
1, 2, 3, 4, 5, 6

**KIT REFERENCES**  
STANDARD - AK-03  
CARRONITE - AK-03-C

# HAIKU

		5MM	CARRONITE
L 1800MM	HAIKU	✓	✓
W 800MM	L-SHAPED PANEL 1800x800x540	-	✓
	HAIKU FRONT PANEL 1800x540	✓	✓
	HAIKU END PANEL 800x540	✓	✓



-   
Carronite
-   
Panel
-   
Whirlpool

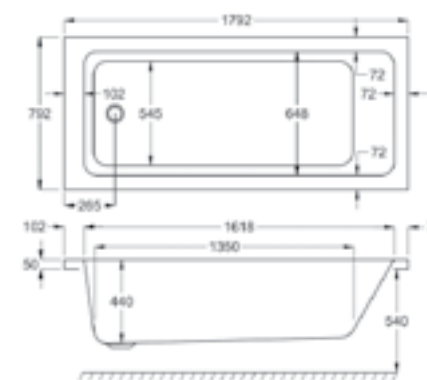
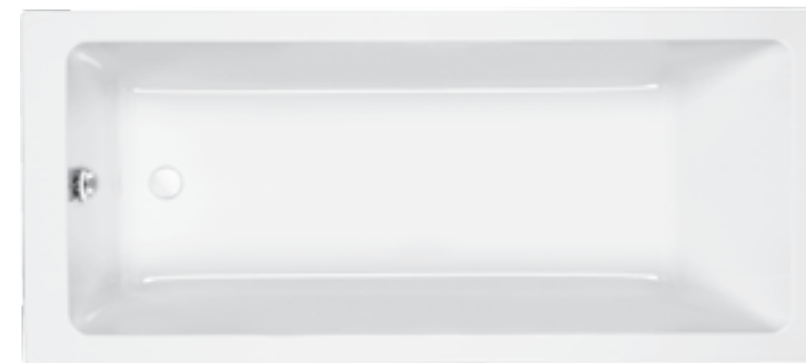
**WATER CAPACITY**  
230 LTR  
This measurement is taken to the overflow

**WHIRLPOOL COMPATIBLE**  
C-LENDA SYSTEMS  
1, 2, 3, 4, 5, 6

**KIT REFERENCES**  
STANDARD - AK-03  
CARRONITE - AK-03-C

# QUANTUM SE

		5MM	CARRONITE
L 1800MM	QUANTUM SE	✓	✓
W 800MM	L-SHAPED PANEL 1800x800x540	-	✓
	FRONT PANEL 1800x540	✓	✓
	END PANEL 800x540	✓	✓
	SCREEN CFS-1 (H=1400MM)	✓	✓
	SCREEN CFS-2 (H=1500MM)	✓	✓



-  Carronite
-  Panel
-  Whirlpool

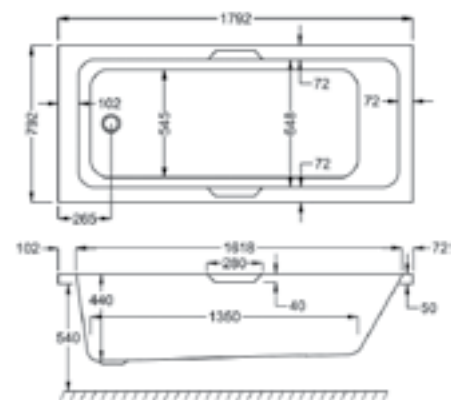
**WATER CAPACITY**  
285 LTR  
This measurement is taken to the overflow





**WHIRLPOOL COMPATIBLE**  
C-LENDA SYSTEMS  
1, 2, 3, 4, 5, 6

**KIT REFERENCES**  
STANDARD - AK-03  
CARRONITE - AK-03-C

# QUANTUM INTEGRA

		5MM	CARRONITE
L 1800MM	QUANTUM INTEGRA	✓	✓
W 800MM	L-SHAPED PANEL 1800x800x540	-	✓
	FRONT PANEL 1800x540	✓	✓
	END PANEL 800x540	✓	✓
	SCREEN CFS-1 (H=1400MM)	✓	✓
	SCREEN CFS-2 (H=1500MM)	✓	✓



-  Carronite
-  Panel
-  Hand Grips
-  Whirlpool

**WATER CAPACITY**  
285 LTR  
This measurement is taken to the overflow

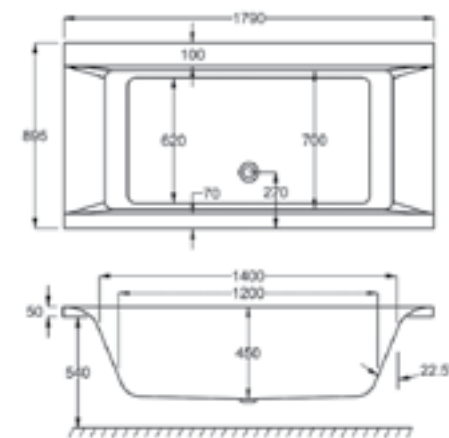
**WHIRLPOOL COMPATIBLE**  
C-LENDA SYSTEMS  
1, 2, 3, 4, 5, 6

**KIT REFERENCES**  
STANDARD - AK-03  
CARRONITE - AK-03-C



# HAIKU

	5MM	CARRONITE
L 1800MM	✓	✓
W 900MM	✓	✓
<b>HAIKU</b>		
HAIKU FRONT PANEL 1800x540	✓	✓
HAIKU END PANEL 900x540	✓	✓



-  Carronite
-  Panel
-  Whirlpool

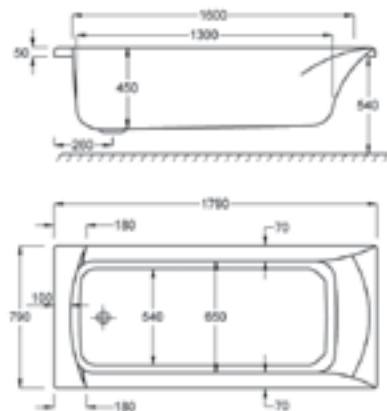
**WATER CAPACITY**  
290 LTR  
This measurement is taken to the overflow





**WHIRLPOOL COMPATIBLE**  
C-LENDA SYSTEMS  
1, 2, 3, 4, 5, 6

**KIT REFERENCES**  
STANDARD - AK-03  
CARRONITE - AK-03-C

# SIGMA

	5MM	CARRONITE
L 1800MM	✓	✓
W 800MM	✓	✓
<b>SIGMA</b>		
L-SHAPED PANEL 1800x800x540	-	✓
FRONT PANEL 1800x540	✓	✓
END PANEL 800x540	✓	✓
SCREEN CFS-1 (H=1400MM)	✓	✓
SCREEN CFS-2 (H=1500MM)	✓	✓
GRIPS CCG-1	✓	✓



-  Carronite
-  Panel
-  Hand Grips
-  Whirlpool

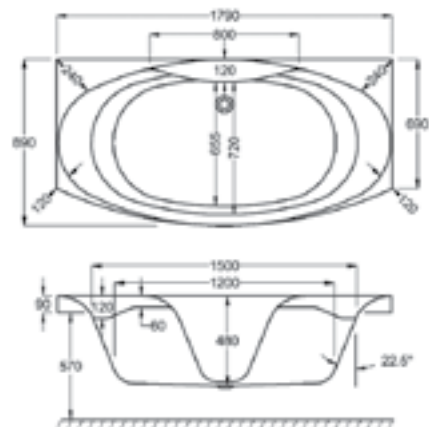
**WATER CAPACITY**  
240 LTR  
This measurement is taken to the overflow

**WHIRLPOOL COMPATIBLE**  
C-LENDA SYSTEMS  
1, 2, 3, 4, 5, 6

**KIT REFERENCES**  
STANDARD - AK-03  
CARRONITE - AK-03-C

## MISTRAL

		5MM	CARRONITE
L 1800MM	MISTRAL	✓	✓
W 700 - 900MM	MISTRAL FRONT PANEL	✓	-
	MISTRAL END PANEL	✓	-



Carronite



Panel



Whirlpool

**WATER CAPACITY**

330 LTR

This measurement is taken to the overflow

**WHIRLPOOL COMPATIBLE**

C-LENDA SYSTEMS

1, 2, 3, 4, 5, 6

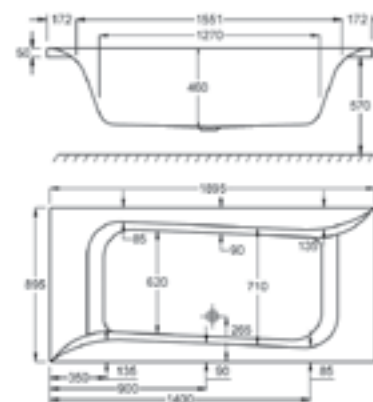
**KIT REFERENCES**

STANDARD - AK-03

CARRONITE - AK-03-C

## LINEA

		5MM	CARRONITE
L 1900MM	LINEA	✓	✓
W 900MM	FRONT PANEL 1900x570	✓	✓
	END PANEL 900x570	✓	✓



Carronite



Panel



Whirlpool

**WATER CAPACITY**

345 LTR

This measurement is taken to the overflow

**WHIRLPOOL COMPATIBLE**

C-LENDA SYSTEMS

1, 2, 3, 4, 5, 6

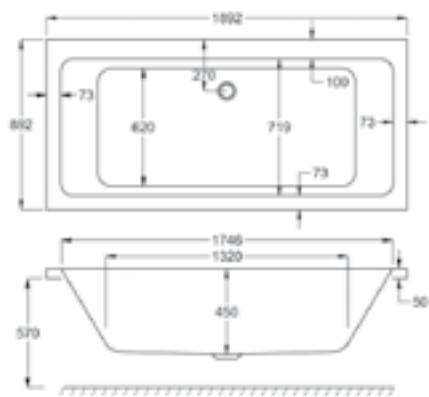
**KIT REFERENCES**

STANDARD - AK-03

CARRONITE - AK-03-C

# QUANTUM DUO

		5MM	CARRONITE
L 1900MM	QUANTUM DUO	✓	✓
W 900MM	FRONT PANEL 1900x570	✓	✓
	END PANEL 900x570	✓	✓



Carronite



Panel



Whirlpool

## WATER CAPACITY

350 LTR

This measurement is taken to the overflow

## WHIRLPOOL COMPATIBLE

C-LENDA SYSTEMS

1, 2, 3, 4, 5, 6

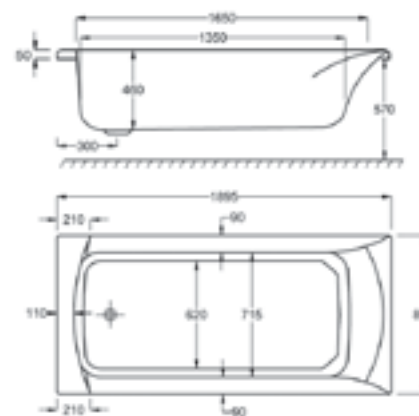
## KIT REFERENCES

STANDARD - AK-03

CARRONITE - AK-03-C

# SIGMA

		5MM	CARRONITE
L 1900MM	SIGMA	✓	✓
W 900MM	FRONT PANEL 1900x570	✓	✓
	END PANEL 900x570	✓	✓
	SCREEN CFS-1 (H=1400MM)	✓	✓
	SCREEN CFS-2 (H=1500MM)	✓	✓
	GRIPS CCG-1	✓	✓



Carronite



Panel



Hand Grips



Whirlpool

## WATER CAPACITY

350 LTR

This measurement is taken to the overflow

## WHIRLPOOL COMPATIBLE

C-LENDA SYSTEMS

1, 2, 3, 4, 5, 6

## KIT REFERENCES

STANDARD - AK-03

CARRONITE - AK-03-C



---

## Showerbaths

With more space for showering whilst retaining the option of a luxury bath, our range of showerbaths all come with matching shower screens and panels.

### **CARRONITE™ IDEAL FOR SHOWERING**

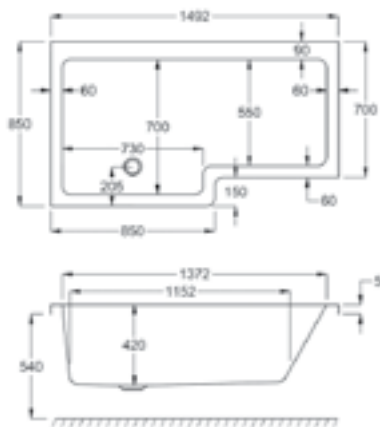
THE STRENGTH AND STABILITY OFFERED BY OUR CARRONITE™ FINISH MAKES IT AN IDEAL OPTION FOR THE SHOWERBATH OF YOUR CHOICE.

**BATH OPPOSITE:**  
Urban Edge Showerbath

---

# QUANTUM

	5MM	CARRONITE
L 1500MM	✓	✓
W 700-850MM	✓	✓
QUANTUM SHOWERBATH 1500	✓	✓
QUANTUM SB 1500 FRONT PANEL	✓	✓
SB END PANEL	✓	✓
SCREEN QSS-1 (FIXED L-PROFILE)	✓	✓
SCREEN QSS-2	✓	✓
SET (BATH, SCREEN, FRONT PANEL)	✓	✓



Left hand and right hand baths available.  
Left hand bath shown.



Carronite



Panel

### WATER CAPACITY

229 LTR

This measurement is taken to the overflow

### WHIRLPOOL COMPATIBLE

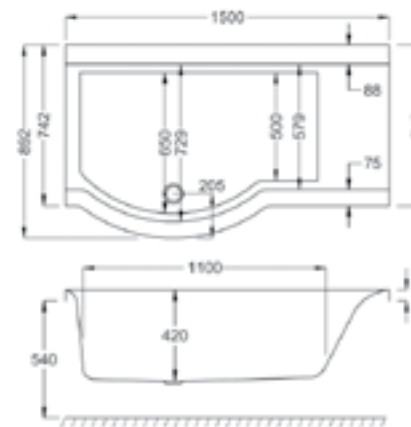
N/A

### KIT REFERENCES

STANDARD - AK-05  
CARRONITE - AK-05-C

# URBAN COMPACT

	5MM	CARRONITE
L 1500MM	✓	✓
W 750-900MM	✓	✓
URBAN COMPACT	✓	✓
L-SHAPED SHOWERBATH PANEL	-	✓
URBAN SB 1500 FRONT PANEL	✓	✓
SCREEN CSS-4	✓	✓
SCREEN WRAP ROUND	✓	✓
SET 1 (BATH, SCREEN, FRONT PANEL)	✓	✓
SET 2 (BATH, WRAP ROUND SCREEN, FRONT PANEL)	✓	✓



Left hand and right hand baths available.  
Left hand bath shown.



Carronite



Panel



Whirlpool

### WATER CAPACITY

228 LTR

This measurement is taken to the overflow

### WHIRLPOOL COMPATIBLE

C-LENDA SYSTEMS  
1, 2, 3, 4, 5, 6

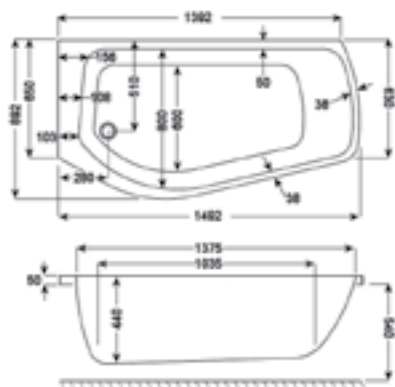
### KIT REFERENCES

STANDARD - AK-05  
CARRONITE - AK-05-C

L 1500MM  
W 900MM

	5MM	CARRONITE
PROFILE SHOWERBATH	✓	✓
PROFILE SB FRONT PANEL	✓	-
SCREEN CSS-4	✓	✓
SET (BATH, SCREEN, FRONT PANEL)	✓	✓

New Model



Left hand and right hand baths available.  
Left hand bath shown.



Carronite



Panel

**WATER CAPACITY**  
241 LTR

This measurement is taken to the overflow

**WHIRLPOOL COMPATIBLE**  
N/A

**KIT REFERENCES**  
STANDARD - AK-04  
CARRONITE - AK-04-C



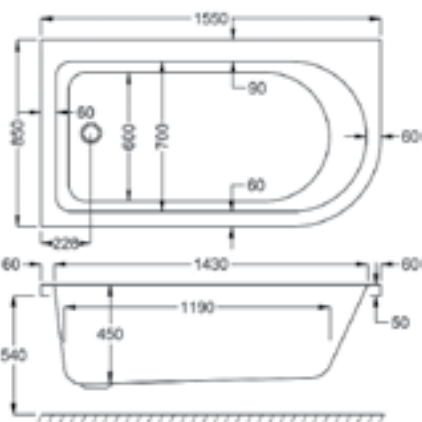
## No loss of profile with innovative design

With a thin, tapered ledge yet still able to take a shower screen, our Profile range is known for its slimline, soft-square detailing. The release of our shower bath model manages to incorporate smooth, curved styling without compromising on the features that made the range so popular in the first instance.

The custom fit panel takes its inspiration from a ship's hull, helping to create a warm, natural shape. This also echoes the spacious interior. As much at home for bathing as it is for showering.

# STATUS SHOWERBATH

	5MM	CARRONITE
L 1550MM		
W 850MM		
STATUS SHOWERBATH	✓	✓
STATUS SHOWERBATH PANEL	✓	✓
SCREEN CFS-1 (H=1400MM)	✓	✓
SCREEN CFS-2 (H=1500MM)	✓	✓
SET (BATH, SCREEN, FRONT PANEL)	✓	✓



Left hand and right hand baths available.  
Right hand bath shown.



Carronite Panel Whirlpool

## WATER CAPACITY

262 LTR

This measurement is taken to the overflow

## WHIRLPOOL COMPATIBLE

C-LENDA SYSTEMS

1 & 4

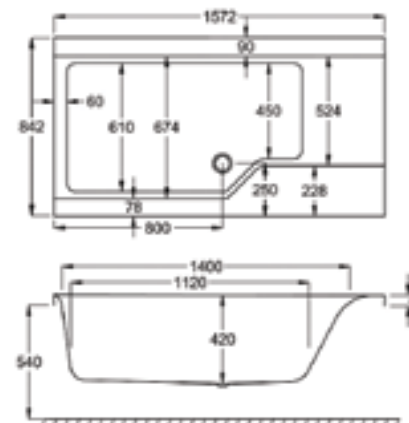
## KIT REFERENCES

STANDARD - AK-03

CARRONITE - AK-03-C

# URBAN SWING

	5MM	CARRONITE
L 1575MM		
W 850MM		
URBAN SWING	-	✓
URBAN SWING L-PANEL	-	✓
URBAN SWING FRONT PANEL	-	✓
SCREEN QSS-2	-	✓
SET (BATH, SCREEN, FRONT PANEL)	-	✓



Left hand and right hand baths available.  
Left hand bath shown.



Carronite Panel Hand Grips Whirlpool

## WATER CAPACITY

225 LTR

This measurement is taken to the overflow

## WHIRLPOOL COMPATIBLE

C-LENDA SYSTEMS

1, 2, 3, 4, 5, 6

## KIT REFERENCES

CARRONITE - AK-05-C / AK-12

**PRODUCT FEATURE**

**URBAN EDGE**



**Scandinavian simplicity comes to the Urban range**

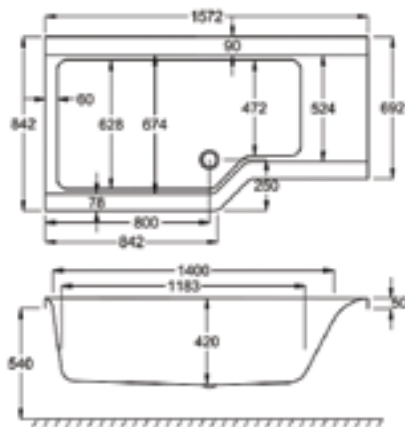
Launched in 2013, the Urban range is still going from strength to strength and with the introduction of the new Urban Edge Showerbath, the range now has an added dimension.

Inspired by our blossoming Scandinavian market the Urban

Edge, with its 45 degree angled return detail, offers angular design in a space saving 1575mm size. Although ideal for showering, as this is the primary bath use for so many of our customers, the bath does not scrimp on luxury with its centre mounted taps and curved backrest.

**URBAN EDGE**

	5MM	CARRONITE
L 1575MM	URBAN EDGE SHOWERBATH ✓	✓
W 700-850MM	L-SHAPED SHOWERBATH PANEL -	✓
	URBAN EDGE FRONT PANEL ✓	✓
	SCREEN QSS-2 ✓	✓
	SET (BATH, SCREEN, FRONT PANEL) ✓	✓



Left hand and right hand baths available. Left hand bath shown.

-   
Carronite
-   
Panel
-   
Whirlpool

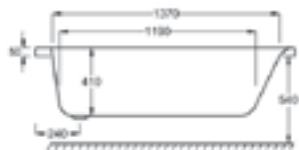
**WATER CAPACITY**  
225 LTR  
This measurement is taken to the overflow

**WHIRLPOOL COMPATIBLE**  
C-LENDA SYSTEMS  
1, 2, 3, 4, 5, 6

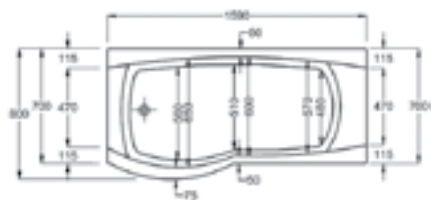
**KIT REFERENCES**  
STANDARD - AK-05  
CARRONITE - AK-05-C



		5MM	CARRONITE
L 1600MM	DELTA SB 1600	✓	✓
W 700-800MM	DELTA 1600 SB FRONT PANEL	✓	✓
	SB END PANEL	✓	✓
	SCREEN CSS-1	✓	✓
	SET (BATH, SCREEN, FRONT PANEL)	✓	✓



Left hand and right hand baths available.  
Left hand bath shown.



Carronite



Panel



Whirlpool

**WATER CAPACITY**

210 LTR

This measurement is taken to the overflow

**WHIRLPOOL COMPATIBLE**

C-LENDIA SYSTEMS

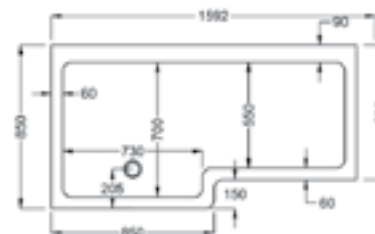
1 &amp; 4

**KIT REFERENCES**

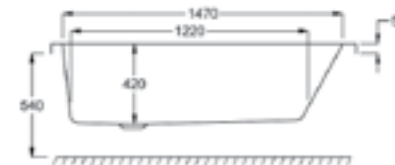
STANDARD - AK-04

CARRONITE - AK-04-C

		5MM	CARRONITE
L 1600MM	QUANTUM SHOWERBATH 1600	✓	✓
W 700-850MM	QUANTUM 1600 SB FRONT PANEL	✓	✓
	SB END PANEL	✓	✓
	SCREEN QSS-1 (FIXED L-PROFILE)	✓	✓
	SCREEN QSS-2	✓	✓
	SET (BATH, SCREEN, FRONT PANEL)	✓	✓



Left hand and right hand baths available.  
Left hand bath shown.



Carronite



Panel

**WATER CAPACITY**

250 LTR

This measurement is taken to the overflow

**WHIRLPOOL COMPATIBLE**

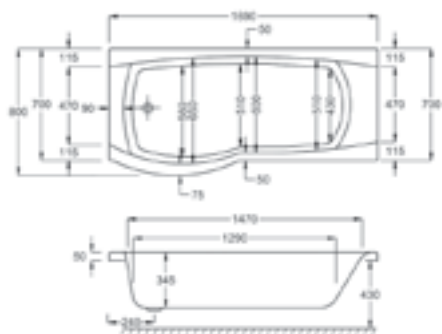
N/A

**KIT REFERENCES**

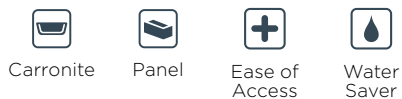
STANDARD - AK-05

CARRONITE - AK-05-C

	5MM	CARRONITE
L 1700MM	ASPECT SHOWERBATH	✓
W 700-800MM	ASPECT FRONT PANEL	✓
	ASPECT END PANEL	✓
	SCREEN CSS-1	✓
	SET (BATH, SCREEN, FRONT PANEL)	✓



Left hand and right hand baths available.  
Left hand bath shown.



Carronite Panel Ease of Access Water Saver

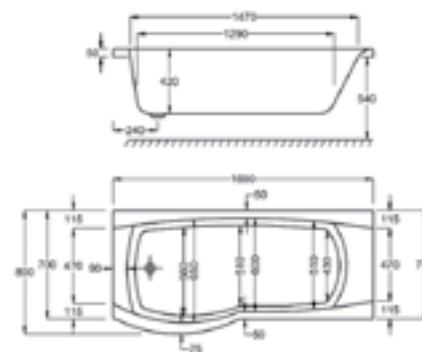
**WATER CAPACITY**  
190 LTR

This measurement is taken to the overflow

**WHIRLPOOL COMPATIBLE**  
N/A

**KIT REFERENCES**  
STANDARD - AK-04  
CARRONITE - AK-04-C

	5MM	CARRONITE
L 1700MM	DELTA SB 1700	✓
W 700-800MM	DELTA 1700 SB FRONT PANEL	✓
	SB END PANEL	✓
	SCREEN CSS-1	✓
	SET (BATH, SCREEN, FRONT PANEL)	✓



Left hand and right hand baths available.  
Left hand bath shown.



Carronite Panel Whirlpool

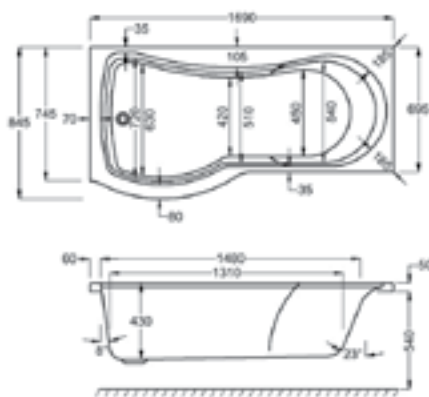
**WATER CAPACITY**  
230 LTR

This measurement is taken to the overflow

**WHIRLPOOL COMPATIBLE**  
C-LENDIA SYSTEMS  
1 & 4

**KIT REFERENCES**  
STANDARD - AK-04  
CARRONITE - AK-04-C

	5MM	CARRONITE
L 1700MM	ARC SHOWERBATH	✓
W 700-850MM	ARC 1700 SB FRONT PANEL	✓
	SB END PANEL	✓
	SCREEN CSS-2	✓
	SET (BATH, SCREEN, FRONT PANEL)	✓



Left hand and right hand baths available.  
Left hand bath shown.



Carronite



Panel



Whirlpool

#### WATER CAPACITY

250 LTR

This measurement is taken to the overflow

#### WHIRLPOOL COMPATIBLE

C-LENDA SYSTEMS

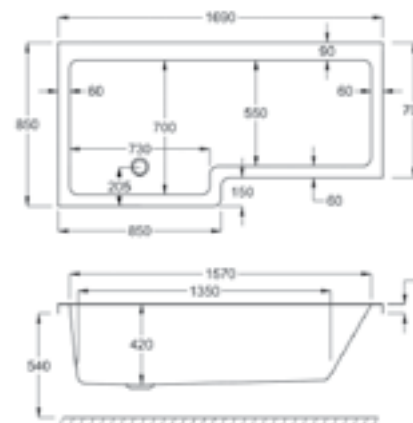
1 & 4

#### KIT REFERENCES

STANDARD - AK-05

CARRONITE - AK-05-C

	5MM	CARRONITE
L 1700MM	QUANTUM SHOWERBATH 1700	✓
W 700-850MM	QUANTUM 1700 SB FRONT PANEL	✓
	SB END PANEL	✓
	SCREEN QSS-1 (FIXED L-PROFILE)	✓
	SCREEN QSS-2	✓
	SET (BATH, SCREEN, FRONT PANEL)	✓



Left hand and right hand baths available.  
Left hand bath shown.



Carronite



Panel

#### WATER CAPACITY

265 LTR

This measurement is taken to the overflow

#### WHIRLPOOL COMPATIBLE

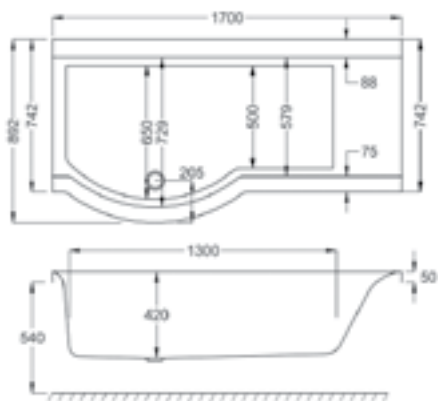
N/A

#### KIT REFERENCES

STANDARD - AK-05

CARRONITE - AK-05-C

	5MM	CARRONITE
L 1700MM		
W 750-900MM		
URBAN	✓	✓
L-SHAPED SHOWERBATH PANEL	-	✓
URBAN 1700 SB FRONT PANEL	✓	✓
SCREEN CSS-4	✓	✓
SCREEN WRAP ROUND	✓	✓
SET 1 (BATH, SCREEN, FRONT PANEL)	✓	✓
SET 2 (BATH, WRAP ROUND SCREEN, FRONT PANEL)	✓	✓



Left hand and right hand baths available.  
Left hand bath shown.



Carronite



Panel



Whirlpool

#### WATER CAPACITY

260 LTR

This measurement is taken to the overflow

#### WHIRLPOOL COMPATIBLE

C-LENDA SYSTEMS

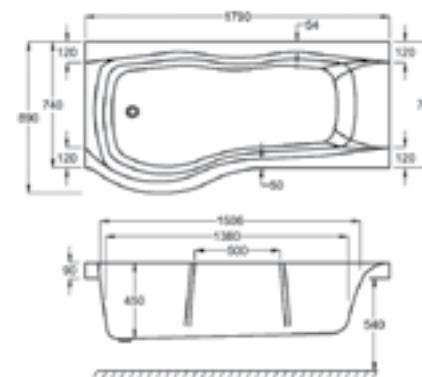
1, 2, 3, 4, 5, 6

#### KIT REFERENCES

STANDARD - AK-05

CARRONITE - AK-05-C

	5MM	CARRONITE
L 1800MM		
W 750-900MM		
SIGMA SHOWERBATH	✓	✓
SIGMA 1800 SB PANEL	✓	✓
SB END PANEL	✓	✓
SCREEN CSS-2	✓	✓
SET (BATH, SCREEN, FRONT PANEL)	✓	✓



Left hand and right hand baths available.  
Left hand bath shown.



Carronite



Panel



Whirlpool

#### WATER CAPACITY

265 LTR

This measurement is taken to the overflow

#### WHIRLPOOL COMPATIBLE

C-LENDA SYSTEMS

1, 2, 3, 4, 5, 6

#### KIT REFERENCES

STANDARD - AK-05

CARRONITE - AK-05-C



---

## Freestanding Baths

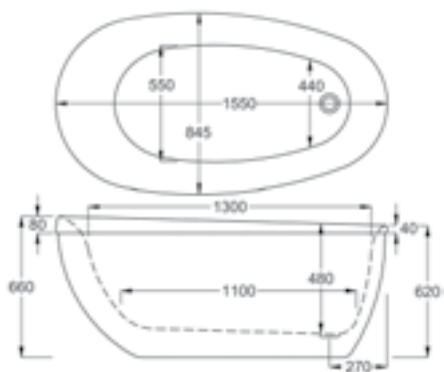
Opulent, stylish, yet still practical, Carron Freestanding baths make the right statement in any luxury setting. If you value high quality manufacturing, you will value Carron Freestanding baths.

**BATH OPPOSITE:**  
Celsius Freestanding (Granite Finish)

---

# PARADIGM

		CARRONITE
L 1550MM	PARADIGM (INC WASTE/OVERFLOW)	✓
W 850MM	OPTIONAL FILLER OVERFLOW/FILLER/CLICKER WASTE	✓



Carronite

**WATER CAPACITY**  
238 LTR

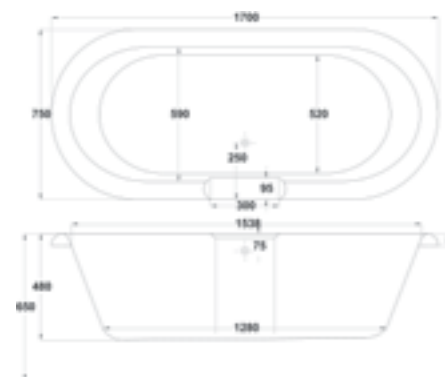
This measurement is taken to the overflow

**WHIRLPOOL COMPATIBLE**  
N/A

**KIT REFERENCES**  
N/A

# ASCOLI

		5MM	CARRONITE
L 1700MM	ASCOLI	✓	-
W 750MM	CHROME FEET	✓	-
	INSET OPTION ASCOLI INSET	✓	✓



Carronite

**WATER CAPACITY**  
247 LTR

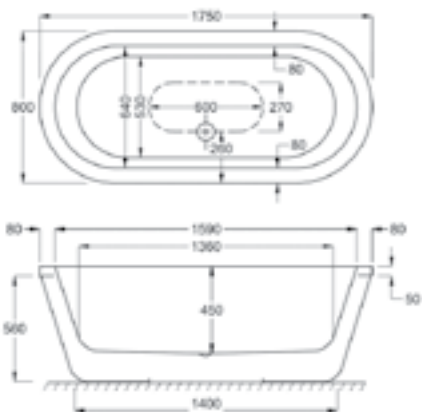
This measurement is taken to the overflow

**WHIRLPOOL COMPATIBLE**  
N/A

**KIT REFERENCES**  
N/A

# HALCYON OVAL

	5MM	CARRONITE
L 1750MM		
W 800MM		
<b>HALCYON OVAL</b> (WHITE/RED/BLACK) (INCLUDES WASTE/OVERFLOW)	-	✓
OPTIONAL FILLER (FREESTANDING VERSION ONLY)		
OVERFLOW/FILLER/CLICKER WASTE	-	✓
<b>INSET OPTION</b> HALCYON OVAL INSET	✓	✓



Carronite

## WATER CAPACITY

270 LTR

This measurement is taken to the overflow

## WHIRLPOOL COMPATIBLE

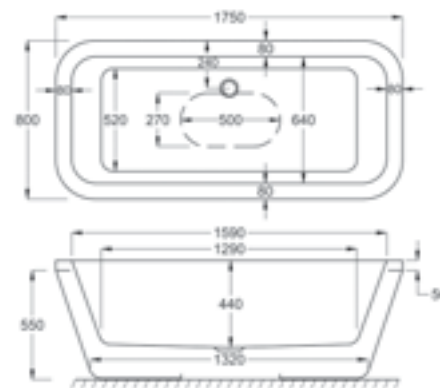
N/A

## KIT REFERENCES

N/A

# HALCYON SQUARE

	5MM	CARRONITE
L 1750MM		
W 800MM		
<b>HALCYON SQUARE</b> (WHITE/RED/BLACK) (INCLUDES WASTE/OVERFLOW)	-	✓
OPTIONAL FILLER (FREESTANDING VERSION ONLY)		
OVERFLOW/FILLER/CLICKER WASTE	-	✓
<b>INSET OPTION</b> HALCYON SQUARE INSET	✓	✓



Carronite

## WATER CAPACITY

286 LTR

This measurement is taken to the overflow

## WHIRLPOOL COMPATIBLE

N/A

## KIT REFERENCES

N/A

**PRODUCT FEATURE**

**HALCYON D**



**We all love the look of a freestanding bath but sometimes it's just not practical.**

Freestanding baths have always been the "go to" option when looking for a statement bath, unfortunately, not all bathrooms can accommodate this. Enter the Halcyon D. Using the same design features seen in the rest of the Halcyon range, the Halcyon D has

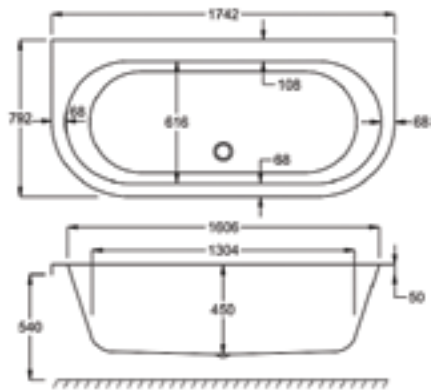
a one piece detachable bath panel which allows it to retain the look and feel of a freestanding bath.

The Halcyon D dimensions are 1750 x 800mm and comes with the option of a colour matched, one piece panel.

**HALCYON D**

L 1750MM  
W 800MM

	5MM	CARRONITE
HALCYON D	✓	✓
HALCYON D ONE-PIECE PANEL (WHITE)		✓
HALCYON D ONE-PIECE PANEL (GRANITE / COLOUR MATCH)		✓



Carronite



Panel

**WATER CAPACITY**  
253 LTR

This measurement is taken to the overflow

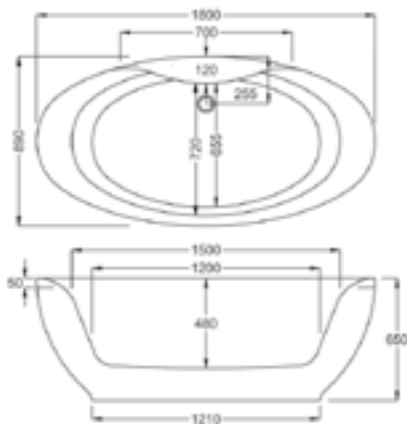
**WHIRLPOOL COMPATIBLE**  
N/A

**KIT REFERENCES**  
STANDARD - AK-01  
CARRONITE - AK-01-C



L 1800MM  
W 900MM

	5MM	CARRONITE
ELYSEE (INCLUDES WASTE/OVERFLOW)	-	✓
OPTIONAL FILLER (FREESTANDING VERSION ONLY)		
OVERFLOW/FILLER/CLICKER WASTE	-	✓
INSET OPTION ELYSEE INSET	✓	✓



Carronite



Whirlpool

**WATER CAPACITY**  
330 LTR

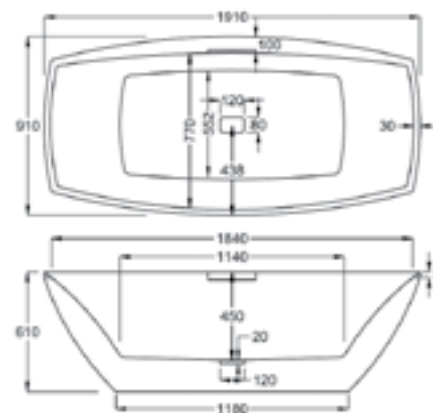
This measurement is taken to the overflow

**WHIRLPOOL COMPATIBLE**  
C-LENDIA SYSTEMS  
1, 2, 3, 4, 5, 6 (INSET ONLY)

**KIT REFERENCES**  
N/A

L 1910MM  
W 910MM

	CARRONITE
CELSIUS (WHITE) (INCLUDES OVERFLOW/FILLER/CLICKER WASTE)*	✓
CELSIUS (GRANITE) (INCLUDES OVERFLOW/FILLER/CLICKER WASTE)*	✓
*MIN 110 BAR PRESSURE REQUIRED	



Carronite

**WATER CAPACITY**  
330 LTR

This measurement is taken to the overflow

**WHIRLPOOL COMPATIBLE**  
N/A

**KIT REFERENCES**  
N/A



---

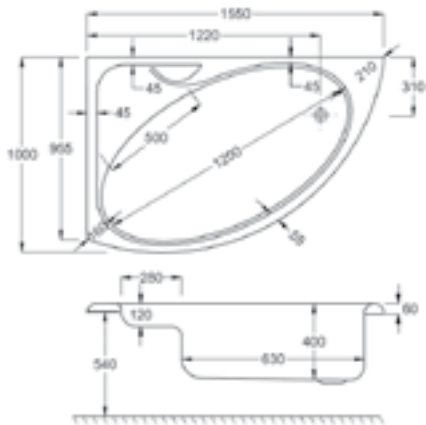
## Corner Baths

Ideal where space and layout are an issue, our Corner bath range combines great design with practicality.

**BATH OPPOSITE:**  
Omega Offset Cornerbath

---

		5MM	CARRONITE
L	1550MM	✓	✓
W	950MM	✓	✓
	DOVE	✓	✓
	AFFINITY 1550 PANEL	✓	✓



Left hand and right hand baths available.  
Right hand bath shown.



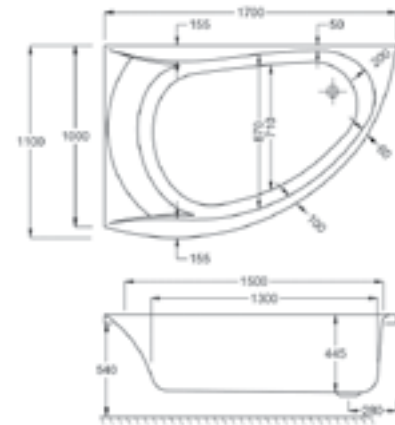
**WATER CAPACITY**  
190 LTR

This measurement is taken to the overflow

**WHIRLPOOL COMPATIBLE**  
C-LENDA SYSTEMS  
1 & 4

**KIT REFERENCES**  
STANDARD - AK-09-C  
CARRONITE - AK-09-C

		5MM	CARRONITE
L	1700MM	✓	✓
W	1000MM	✓	✓
	OMEGA	✓	✓
	AFFINITY 1700 PANEL	✓	✓



Left hand and right hand baths available.  
Right hand bath shown.



**WATER CAPACITY**  
255 LTR

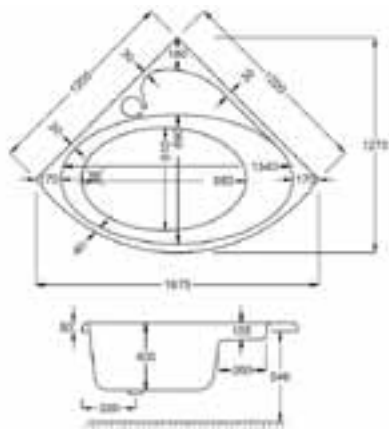
This measurement is taken to the overflow

**WHIRLPOOL COMPATIBLE**  
C-LENDA SYSTEMS  
1, 2, 3, 4, 5, 6

**KIT REFERENCES**  
STANDARD - AK-05  
CARRONITE - AK-05-C

# ORIOLE

		5MM	CARRONITE
L 1200MM	ORIOLE	✓	✓
W 1200MM	AFFINITY 1200 PANEL	✓	✓



Carronite



Panel

## WATER CAPACITY

190 LTR

This measurement is taken to the overflow

## WHIRLPOOL COMPATIBLE

N/A

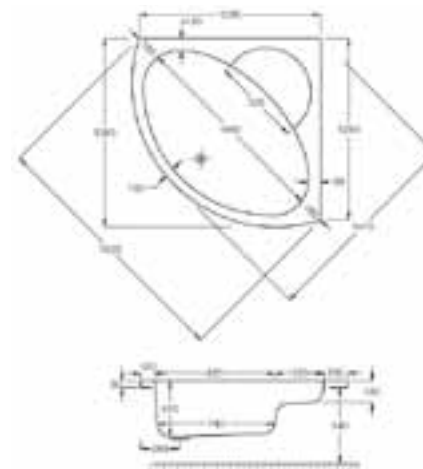
## KIT REFERENCES

STANDARD - AK-09-C

CARRONITE - AK-09-C

# MONARCH

		5MM	CARRONITE
L 1300MM	MONARCH	✓	✓
W 1300MM	AFFINITY 1300 PANEL	✓	✓



Carronite



Panel



Whirlpool

## WATER CAPACITY

235 LTR

This measurement is taken to the overflow

## WHIRLPOOL COMPATIBLE

C-LENDA SYSTEMS

1 &amp; 4

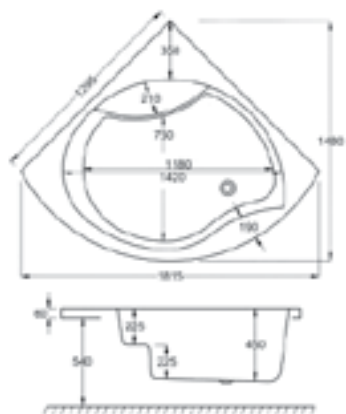
## KIT REFERENCES

STANDARD - AK-02

CARRONITE - AK-02-C

# TRANQUILITY

		5MM	CARRONITE
L 1300MM	TRANQUILITY	✓	✓
W 1300MM	AFFINITY 1300 PANEL	✓	✓



Carronite



Panel



Whirlpool

## WATER CAPACITY

295 LTR

This measurement is taken to the overflow

## WHIRLPOOL COMPATIBLE

C-LENDA SYSTEMS

1, 2, 3, 4, 5, 6

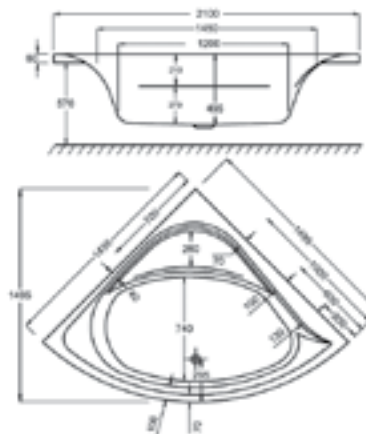
## KIT REFERENCES

STANDARD - AK-08-C

CARRONITE - AK-08-C

# CENTENNIAL

		5MM	CARRONITE
L 1500MM	CENTENNIAL	✓	✓
W 1500MM	CENTENNIAL PANEL	✓	✓



Carronite



Panel



Whirlpool

## WATER CAPACITY

407 LTR

This measurement is taken to the overflow

## WHIRLPOOL COMPATIBLE

C-LENDA SYSTEMS

1, 2, 3, 4, 5, 6

## KIT REFERENCES

STANDARD - AK-07-C

CARRONITE - AK-07-C



---

## Celsius Range

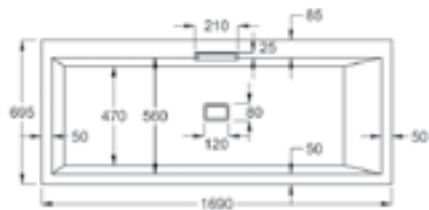
As Carron's signature range, our Celsius baths never compromise on comfort and luxury while remaining stylish and bold. Available in Standard, Showerbath, Duo and Freestanding options.

BATH OPPOSITE:  
Celsius 1800

---

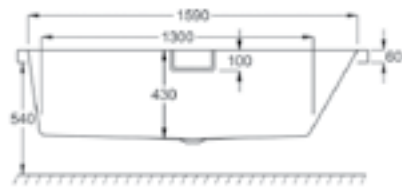
# CELSIUS 700

	5MM	CARRONITE
L 1700MM	<b>CELSIUS 700</b> (INCLUDES OVERFLOW/FILLER/CLICKER WASTE)	✓
W 700MM	"L" PANEL 700	✓
	1700 FRONT PANEL	✓
	SCREEN CFS-1 (H=1400MM)	✓
	SCREEN CFS-2 (H=1500MM)	✓
	OPTIONAL OVERFLOW/CLICKER WASTE	



The Celsius bath requires the uniquely designed overflow / filler or standard overflow unit. Please ask for more information.

Left hand and right hand baths available.  
Right hand bath shown.



Carronite



Panel



Whirlpool

## WATER CAPACITY

265 LTR

This measurement is taken to the overflow

## WHIRLPOOL COMPATIBLE

C-LENDA SYSTEMS

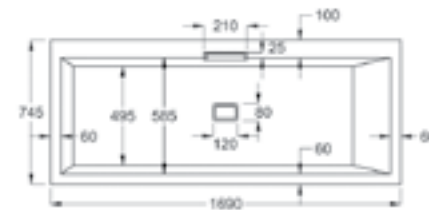
1, 2, 3, 4, 5, 6

## KIT REFERENCES

CARRONITE - AK-01-C

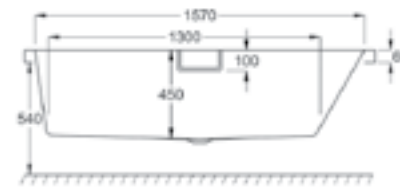
# CELSIUS 750

	5MM	CARRONITE
L 1700MM	<b>CELSIUS 750</b> (INCLUDES OVERFLOW/FILLER/CLICKER WASTE)	✓
W 750MM	"L" PANEL 750	✓
	1700 FRONT PANEL	✓
	SCREEN CFS-1 (H=1400MM)	✓
	SCREEN CFS-2 (H=1500MM)	✓
	OPTIONAL OVERFLOW/CLICKER WASTE	



The Celsius bath requires the uniquely designed overflow / filler or standard overflow unit. Please ask for more information.

Left hand and right hand baths available.  
Right hand bath shown.



Carronite



Panel



Whirlpool

## WATER CAPACITY

275 LTR

This measurement is taken to the overflow

## WHIRLPOOL COMPATIBLE

C-LENDA SYSTEMS

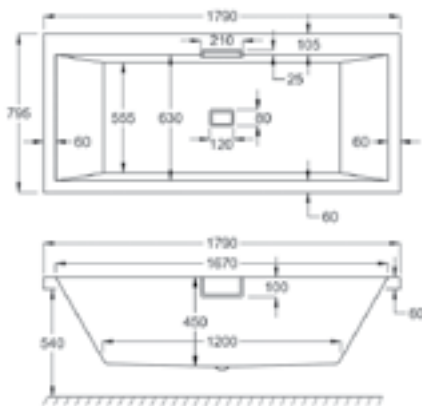
1, 2, 3, 4, 5, 6

## KIT REFERENCES

CARRONITE - AK-01-C

# CELSIUS 1800

	5MM	CARRONITE
L 1800MM	<b>CELSIUS 1800</b> (INCLUDES OVERFLOW/FILLER/CLICKER WASTE)	✓
W 800MM	"L" PANEL 1800	✓
	1800 FRONT PANEL	✓
	SCREEN CFS-1 (H=1400MM)	✓
	SCREEN CFS-2 (H=1500MM)	✓
	OPTIONAL OVERFLOW/CLICKER WASTE	



The Celsius bath requires the uniquely designed overflow / filler or standard overflow unit. Please ask for more information.

-   
Carronite
-   
Panel
-   
Whirlpool

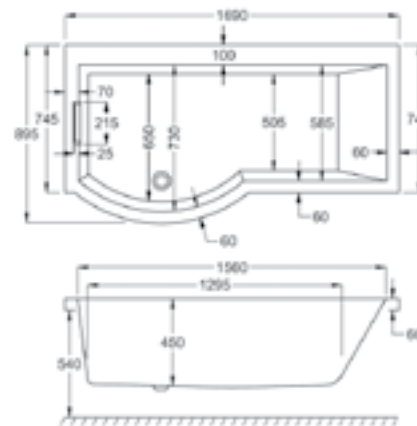
**WATER CAPACITY**  
300 LTR  
This measurement is taken to the overflow

**WHIRLPOOL COMPATIBLE**  
C-LENDA SYSTEMS  
1, 2, 3, 4, 5, 6

**KIT REFERENCES**  
CARRONITE - AK-03-C

# CELSIUS SHOWERBATH

	5MM	CARRONITE
L 1700MM	<b>CELSIUS SHOWERBATH</b> (INCLUDES OVERFLOW/FILLER/CLICKER WASTE)	✓
W 750 - 900MM	"L" SHAPED SHOWERBATH PANEL	✓
	SHOWERBATH FRONT PANEL	✓
	SCREEN CSS-4	✓
	SCREEN "WRAP ROUND"	✓
	OPTIONAL OVERFLOW/CLICKER WASTE	



The Celsius bath requires the uniquely designed overflow / filler or standard overflow unit. Please ask for more information.

Left hand and right hand baths available.  
Left hand bath shown.

-   
Carronite
-   
Panel
-   
Whirlpool

**WATER CAPACITY**  
305 LTR  
This measurement is taken to the overflow

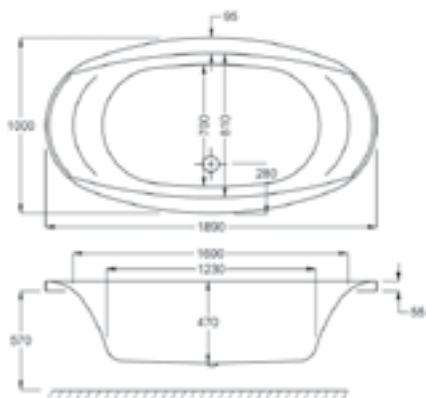
**WHIRLPOOL COMPATIBLE**  
C-LENDA SYSTEMS  
1, 2, 3, 4, 5, 6

**KIT REFERENCES**  
CARRONITE - AK-05-C



# CELSIUS OVAL

		5MM	CARRONITE
L 1900MM	CELSIUS OVAL	-	✓
W 1000MM	FRONT OVAL PANEL	-	✓



The Celsius oval bath can only be fully inset or half set into a unit.



Carronite



Whirlpool

**WATER CAPACITY**  
320 LTR

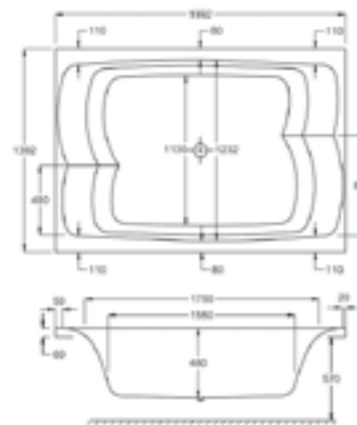
This measurement is taken to the overflow

**WHIRLPOOL COMPATIBLE**  
C-LENDA SYSTEMS  
1, 2, 3, 4, 5, 6

**KIT REFERENCES**  
CARRONITE - AK-03-C

# CELSIUS DUO

		5MM	CARRONITE
L 2000MM	CELSIUS DUO	-	✓
W 1400MM			



Extended waste / overflow fittings required for the Celsius Duo bath.



Carronite



Whirlpool

**WATER CAPACITY**  
560 LTR

This measurement is taken to the overflow

**WHIRLPOOL COMPATIBLE**  
C-LENDA SYSTEMS  
1, 2, 3, 4

EXTENDED SYSTEMS. PLEASE ASK FOR MORE INFORMATION.

**KIT REFERENCES**  
CARRONITE - AK-01-C x 2

## FINISHING TOUCHES



**When buying a Carron bath, it is just as important to ensure that your accessories are up to the job.**

All Carron showerbaths have a custom designed screen available. The Quantum Showerbath has a unique screen option while the more traditional P-shaped showerbaths in the Carron range have the option of a curved

screen or a fully enclosed wrap round screen which give definition to the shower area. Standard flat screens come in two size and shape options, produced to match Carron's high standard of manufacturing.

## Panels, Screens & Accessories

Designed and manufactured specifically to fit perfectly with the Carron range. You can be guaranteed a perfect fit and an easy install.

### SHOWER SCREEN OPTIONS

Carron standard flatscreens come in two height and shape options.



CFS-1 SCREEN (H=1400MM)



CFS-2 SCREEN (H=1500MM)

**"L" SHAPED PANELS**

LENGTH x WIDTH	HEIGHT	5MM £	CARRONITE £
1500 x 700	430	-	✓
1500 x 700	515	-	✓
1600 x 700	430	-	✓
1600 x 700	515	-	✓
1600 x 800	540	-	✓
1650 x 700	515	-	✓
1675 x 700	515	-	✓
1700 x 700	430	-	✓
1700 x 700	515	-	✓
1700 x 700	540	-	✓
1700 x 725	540	-	✓
1700 x 750	540	-	✓
1700 x 800	540	-	✓
1800 x 800	540	-	✓

**QUANTUM FRONT PANELS**

LENGTH	HEIGHT	5MM £	CARRONITE £
1400	515	✓	✓
1500	430	✓	✓
1500	515	✓	✓
1600	430	✓	✓
1600	515	✓	✓
1600	540	✓	✓
1650	515	✓	✓
1675	515	✓	✓
1700	430	✓	✓
1700	515	✓	✓
1700	540	✓	✓
1800	540	✓	✓
1900	570	✓	✓

**END PANELS**

	HEIGHT	5MM £	CARRONITE £
700	430	✓	✓
700	515	✓	✓
750	515	✓	✓
700	540	✓	✓
725	540	✓	✓
750	540	✓	✓
800	540	✓	✓
900	540	✓	✓
900	570	✓	✓

**FINISHING TOUCHES**

**When buying a Carron bath, it is just as important to ensure that your accessories are up to the job.**

We offer a range of panels to complete the look of your chosen bath. One piece L-Shaped panels provide the ideal solution, ensuring a flawless finish and removing any unsightly joins

between front and end panels. Standard front and end panels are also available and can be purchased in standard acrylic or Carronite finishes.

## SCREENS

SCREEN RANGE	HEIGHT	RRP (EX VAT)
CFS-1	1400MM	✓
CFS-2	1500MM	✓
QSS-1 (FIXED L-PROFILE)	1400MM	✓
QSS-2	1400MM	✓
CSS-1	1400MM	✓
CSS-2	1400MM	✓
CSS-4	1400MM	✓

## HEADRESTS

HEADRESTS	COMPATIBLE	RRP (EX VAT)
HR600	HAIKU, LINEA	✓
HR700	HAIKU	✓
HR800	ALPHA/ASPECT/AXIS/DELTA/IMPERIAL/INDEX/SIGMA	✓
HR900	AGENDA/HALCYON SQUARE/QUANTUM/CELSIUS 700	✓