



+
**DOMESTIC BOILER
RANGE & ACCESSORIES**
FROM IDEAL BOILERS.



WWW.IDEALBOILERS.COM

+ WELCOME TO FIRST CLASS.



AS TECHNOLOGIES CONTINUE TO DEVELOP, WE UNDERSTAND THAT YOU WANT A LONG TERM PARTNER WHO HAS THE SKILLS AND EXPERTISE TO DELIVER YOU A WIDE RANGE OF PRACTICAL AND RELIABLE HOT WATER AND HEATING SOLUTIONS, THAT ARE SIMPLE TO INSTALL AND EASY TO SERVICE.

Here at Ideal Boilers, we can provide you with just that. When you choose to work with Ideal you can be confident in the knowledge that our rigorous research and development procedures ensure that our products are not only reliable, but have also been designed and built with you in mind.

CONTENTS.

GET MORE WITH IDEAL

04-05 SERVICE & SUPPORT

THE LOGIC+ RANGE

06-15 **LOGIC+** COMBI
LOGIC+ SYSTEM
LOGIC+ HEAT

THE VOGUE RANGE

16-21 **VOGUE** COMBI
VOGUE SYSTEM

KITS & CONTROLS

22-24 THERMOSTATS & TIMERS
25 LPG CONVERSION KITS

HIGH EFFICIENCY CYLINDERS

26-29 THERMSTORE

FLUE SITING & FLUE KITS

30 FLUE SITING
31 FLUE KITS

+ GET MORE WITH IDEAL.

SERVICE REMINDERS

Our Service Reminders are simple to use and mean you could generate up to 10 years additional service revenue from the Ideal boilers you fit.

Once you're registered for our Service Reminder scheme, for every Ideal boiler you install, we'll make sure we do the following for the duration of the product's warranty, which could be up to 10 years!

- 1 Contact your customers to remind them that their Ideal boiler needs an annual service.
- 2 We'll send your customer your name and contact number for them to give you a call and book a service.
- 3 We'll then send you a text to let you know we've contacted your customer so that you can follow up with them.

AFTERSALES SUPPORT

With a range of tools to help you grow your business, Ideal is on hand to ensure you have the support you need.

Our dedicated Customer Service department is available 364 days a year.

- Installer Helpline **01482 498663**
- Homeowner Helpline **01482 498660**

We also have a team of expert engineers, fully trained to exacting standards and Gas Safe registered, on hand to provide one-to-one advice on the road, over the phone or online ensuring you're fully supported, wherever and whenever you need.

PARTS REQUESTS

Ideal's extensive quality testing procedures ensure that all of our products are manufactured to the highest quality standards.

In the unlikely event that a spare part is required, you can rest assured that most parts are readily available to order via your local spares outlet for up to 10 years after appliance production has ceased.

Ideal spare parts can be obtained from any of Ideal's nationwide network of approved stockists.

For more information about Ideal spare parts and for a list of stockists, please visit our website or call our parts department on:

01482 498665
www.idealparts.com



RELIABILITY

Not only do Ideal boilers go through 200 quality checks before they leave our factory, our Customer Service department is open 364 days a year 7 days a week and we offer a range of warranties up to ten years.



EASY INSTALLATION

All Ideal boilers are built with the installer in mind. Through extensive field trials and installer clinics we are confident that our range of boilers are easy to install with plenty of room inside to manoeuvre.



BUSINESS SUPPORT TAILORED TO YOU

Installer Connect is the installer loyalty scheme from Ideal Boilers. The scheme rewards you for the Ideal boilers you install, earning you up to £50 per Ideal boiler you install, as well as offering a number of business support services including free Gas Safe notifications and easy warranty registrations.

To find out more or to become a member, visit:

www.installerconnect.com



+ LOGIC+

THE LOGIC+ IS THE FLAGSHIP RANGE OF HIGH EFFICIENCY BOILERS FROM IDEAL. COMPACT IN SIZE AND FULLY MODULATING DOWN TO AS LOW AS 4.8kW, THE LOGIC+ PROVIDES EXCELLENT ENERGY SAVINGS MAKING IT THE PERFECT CHOICE FOR NEW OR REPLACEMENT INSTALLATIONS.

Siting a Logic+ boiler is quick and simple thanks to a telescopic flue, fast fix flue turret connections and zero compartment ventilation, which allows neat installation into a standard kitchen cupboard (always check measurements before installation).

Thanks to unrivalled levels of reliability, the Logic+ range of boilers comes with a 7 year warranty* and is supported by the Queen's Award for Enterprise 2013, Good Housekeeping Reader Recommendation and Product of the Year award 2014.

The Logic+ range has been designed to ensure a quick and hassle-free installation. Benefiting from concealed connections and comprehensive controls, all models also feature a translucent condensate siphon to allow any debris to be spotted quickly and easily.





KEY FEATURES.

There is no wonder the Logic+ range is installed by thousands of installers across the country, with a range of key features built in as standard:

- Easy to see pressure gauge**
- Large backlit display with user friendly controls
- Low lift weight (starting from 29.2kg for combination models)
- Compact cupboard fit
- Preformed copper tails
- Pre-wired mains lead
- Wide range of flue options
- Visually impaired user fascia option



**On combi and system models.
 *Heating and hot water ErP A rating on combi models as shown.
 Heating ErP A rating on heat and system models.

LOGIC+ COMBI

C24 C30 C35.

Available in outputs of 24, 30 and 35 kW, the Logic+ Combi is designed to ensure a quick and hassle-free installation thanks to concealed connections, built-in automatic bypass and an integral filling loop. A translucent condensate siphon also allows any debris to be spotted quickly and efficiently.

Siting the product is quick and simple too thanks to a telescopic flue, fast fix flue turret connections and zero compartment ventilation which allow the product to be installed neatly into a standard kitchen cupboard.

A backlit full size dot matrix screen provides symbols and plain English descriptions of heating and hot water functions, together with full fault information. Help text and service display provide further reassurance.

Complete with a 7 year parts and labour warranty* and recommended by the Energy Saving Trust, the Logic+ delivers total home comfort and customer peace of mind.

KEY FEATURES.

- Easy to see pressure gauge
- Large backlit display with user friendly controls
- Low lift weight (starting from 29.2kg)
- Low component count maximising reliability

RELIABLE

- Award winning range
- Energy Saving Trust endorsed
- 7 year parts and labour warranty*
- Built-in frost protection**
- Built-in filling loop
- Pre-heat function
- Service indication
- Latest generation Honeywell gas valve
- Simple diverter valve design with no dynamic seals

EASY TO INSTALL

- Compact cupboard fit
- Door to optional timers includes user instructions
- Fast fix flue options
- Wide range of additional flueing options
- Preformed copper tails
- Symbols and text display
- Pre-wired mains lead (2m) & spare fuses included
- Pre-piping kit
- PRV wall outlet pipe included
- Universal condensate connection
- Stand-off kit including piping
- Compatible with a range of additional controls inc. weather compensation and OpenTherm controls
- LPG conversion kit available for 30 kW boilers

LOGIC+ COMBI.

C24 C30 C35



7 YEAR WARRANTY*



COMPACT



FROST PROTECTION**



FLUE VARIANTS



LPG CONVERSION†



NOx CLASS 5



ErP COMPLIANT

*7 year warranty available until 31.12.2016. 5 year warranty as standard. Subject to terms and conditions. Parts and labour warranty available when registered within 30 days of installation. **Permanent live connection required. †30 kW model only.

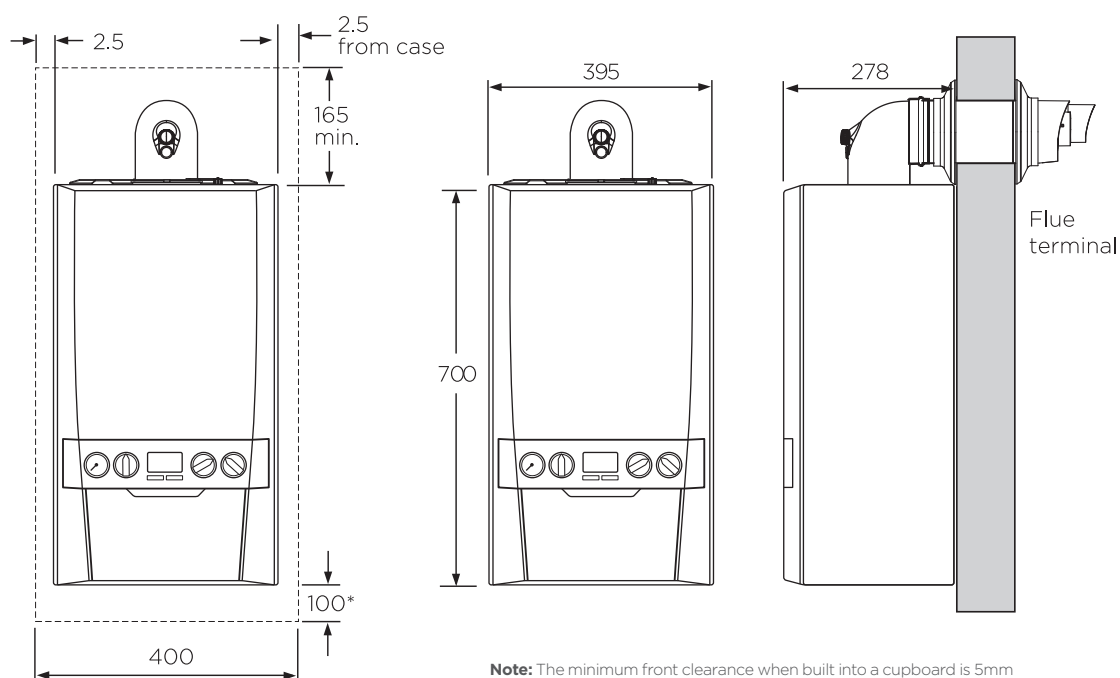


CONTROLS DISPLAY

- CH & DHW temperatures to radiators and out of taps
- Hot water preheat on/off
- Fault descriptions and corrective actions
- Full fault history and fault help
- Venting function
- Change pump speed
- Efficiency level
- Installer phone number displayed when service due
- Change service time
- Expanded display of sensor readings
- Pump/fan/valves data
- Max flow temperature limit
- Pump modulation
- Outside sensor slope

CLEARANCES & DIMENSIONS.

ALL DIMENSIONS IN MM



Note: The minimum front clearance when built into a cupboard is 5mm from the cupboard door but 450mm overall clearance with the cupboard door open is required for servicing.

*Bottom clearance after installation can be reduced to 5mm. However, 100mm is required for servicing.

LOGIC+ SYSTEM

S15 S18 S24 S30.

Endorsed by the Energy Saving Trust and available in a choice of four outputs – 15, 18, 24 and 30 kW, the Logic+ System is suitable for a wide variety of sealed domestic systems and features a lightweight compact cupboard fit design.* There are concealed connections at the base and no compartment ventilation is required, so the Logic+ System can be conveniently located out of sight in both new or replacement installations.

Product design and quality is paramount within the Logic+ System range; additional features such as a PRV wall outlet pipe ensure total reliability and a hassle-free installation.

KEY FEATURES.

- Easy to see pressure gauge
- Large backlit display with user friendly controls
- Low lift weight (starting from 26.2kg)**
- Low component count maximising reliability

RELIABLE

- Award winning range
- Energy Saving Trust endorsed
- 7 year parts and labour warranty†
- Built-in frost protection††
- Service indication
- Latest generation Honeywell gas valve

EASY TO INSTALL

- Compact cupboard fit
- Wide range of flueing options
- Concealed pipe connections
- Preformed copper tails
- LPG Conversion kit available for 30 kW boilers
- Stand-off kit and pre-pipe options
- PRV wall outlet pipe
- Pre-wired mains lead

LOGIC+ SYSTEM.

S15 S18 S24 S30



7 YEAR WARRANTY†



COMPACT



FROST PROTECTION††



FLUE VARIANTS



LPG CONVERSION†††



NOx CLASS 5



DIGITAL DISPLAY



ErP COMPLIANT

*Please check kitchen cupboard size prior to installation. **Weight with front panel removed.

†7 year warranty available until 31.12.2016. 5 year warranty as standard. Subject to terms and conditions. Parts and labour warranty available when registered within 30 days of installation.

††Permanent live connection required. †††30 kW model only.



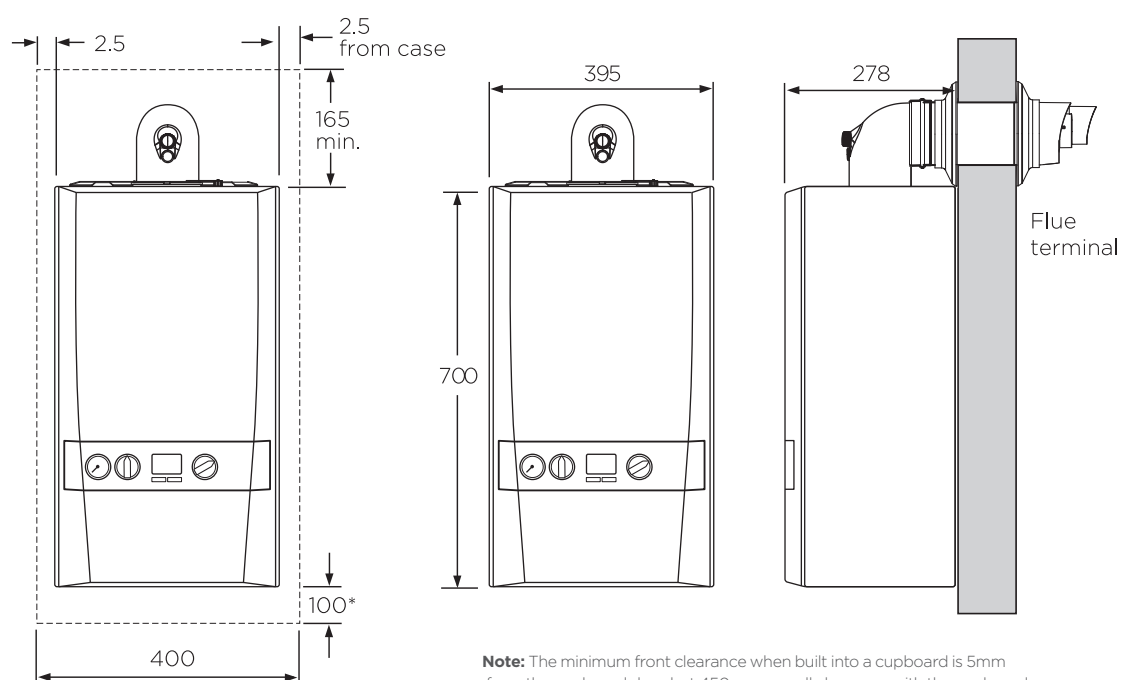
CONTROLS DISPLAY

- CH & DHW temperatures to radiators and out of taps
- Static fault codes
- Last 3 faults
- Venting function
- Change pump speed



CLEARANCES & DIMENSIONS.

ALL DIMENSIONS IN MM



Note: The minimum front clearance when built into a cupboard is 5mm from the cupboard door but 450mm overall clearance with the cupboard door open is required for servicing.

*Bottom clearance after installation can be reduced to 5mm. However, 100mm is required for servicing.

LOGIC+ HEAT H12 H15 H18 H24 H30.

Incorporating the latest in heating design and technology, the Logic+ Heat is an outstanding heat only solution for both new build or replacement installations alike.

Available in a choice of five outputs – 12, 15, 18, 24 and 30 kW, the Logic+ Heat will deliver total home comfort for a wide range of domestic properties.

Suitable for open vent and sealed systems, the Logic+ Heat boiler is straightforward to site and install. No compartment ventilation, compact fit and a lightweight design mean the boiler can be neatly installed out of sight in a kitchen cupboard.*

Installers have the further choice of neat direct rear flue options as required, helping to further speed up the installation in retro fit situations.

KEY FEATURES.

- Large backlit display with user friendly controls
- Low lift weight (22.7kg)**
- Low component count maximising reliability

RELIABLE

- Award winning range
- Energy Saving Trust endorsed
- 7 year parts and labour warranty†
- Boiler frost protection††
- Water flow sensor
- Latest generation Honeywell gas valve

EASY TO INSTALL

- Compact cupboard fit
- Direct 80mm diameter rear flue option
- Wide range of flueing options
- Top system connections
- 75mm deep translucent condensate siphon
- Stand-off kit
- Terminal wall plate kit
- Security bracket kit
- Low minimum head requirement
- LPG conversion kit available for 30 kW boilers
- Fully modulating operation down to 4.8 kW***
- Weather compensation kit option

LOGIC+ HEAT.

H12 H15 H18 H24 H30



7 YEAR WARRANTY†



COMPACT



FROST PROTECTION††



FLUE VARIANTS



LPG CONVERSION****



NOx CLASS 5



DIRECT REAR FLUE



DIGITAL DISPLAY



ErP COMPLIANT

*Please check kitchen cupboard prior to installation. **Weight with front panel removed.
†7 year warranty available until 31.12.2016. 5 year warranty as standard. Subject to terms and conditions. Parts and labour warranty available when registered within 30 days of installation.
††Permanent live connection required. ***30 kW only - 6.1 kW). ****30 kW model only.



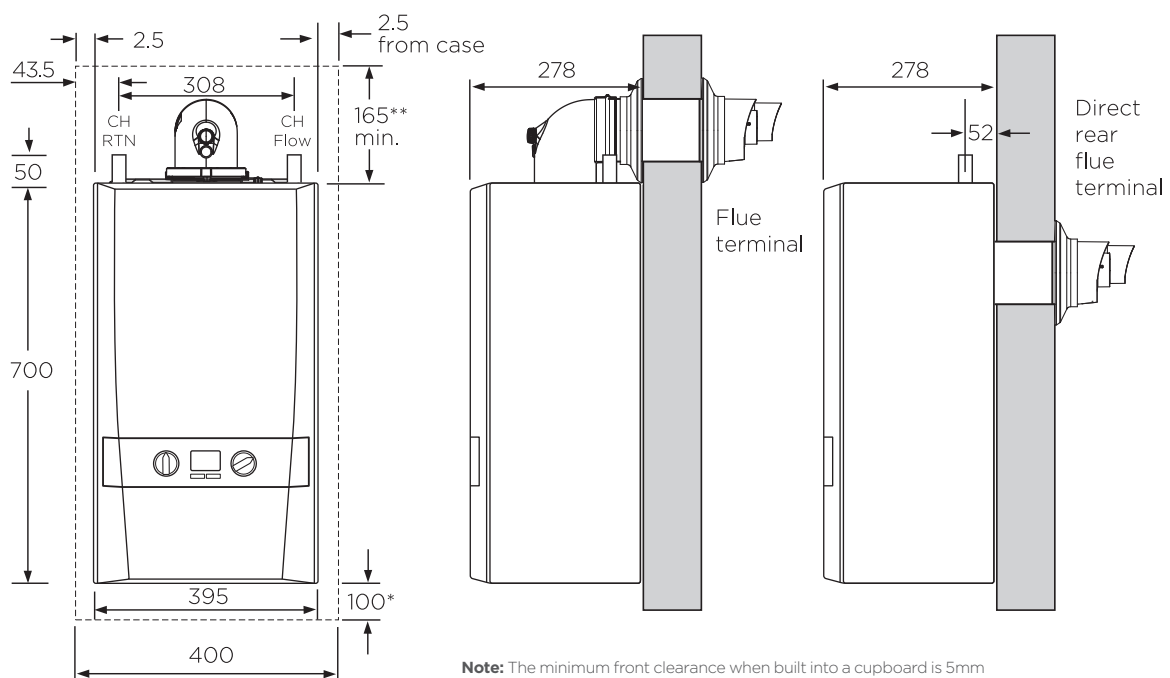
CONTROLS DISPLAY

- CH & DHW temperatures to radiators and out of taps
- Static fault codes
- Last 3 faults
- Venting function
- Change pump speed



CLEARANCES & DIMENSIONS.

ALL DIMENSIONS IN MM



Note: The minimum front clearance when built into a cupboard is 5mm from the cupboard door but 450mm overall clearance with the cupboard door open is required for servicing.

*Bottom clearance after installation can be reduced to 5mm. However, 100mm is required for servicing.
 **Rear flue option - top clearance 100mm.

TECHNICAL SPECIFICATION.

		LOGIC+ COMBI		
BOILER MODEL		C24	C30	C35
PRODUCT CODE		215439	215440	215441
SIZE	Height (mm)	700	700	700
	Width (mm)	395	395	395
	Depth (mm)	278	278	278
	Weight (packed) kg	34.0	34.1	34.2
	Maximum installation weight kg	29.2	29.3	29.4
PERFORMANCE	CH output (kW) Min/Max mean 70°C	4.8 - 24.2	6.1 - 24.2	7.1 - 24.2
	CH output (kW) Min/Max mean 40°C	5.1 - 25.6	6.4 - 25.6	7.5 - 25.6
	DHW output (kW) Max	24.2	30.3	35.3
	DHW flow rate l/min. 35°C rise	9.9	12.4	14.5
	SEDBUK (2005) %	91.1	91.1	91.1
	SEDBUK (2009/2012) %	89.6	89.6	89.6
	NOx Classification	CLASS 5	CLASS 5	CLASS 5
Optional LPG kit	No	Yes	No	
CONSTRUCTION	Heat exchanger material	Cast Aluminium - Silicon Alloy		
	Burner type	Downward firing pre-mix		
	Fully modulating	Yes	Yes	Yes
	DHW plate heat exchanger	Yes	Yes	Yes
	Integrated hydroblock	Yes	Yes	Yes
INSTALLATION	Suitable for sealed systems	Yes	Yes	Yes
	Suitable for open-vent systems	No	No	No
	Filling loop	Yes	Yes	Yes
	Pre-wired mains lead	Yes	Yes	Yes
	Flow regulator	Yes	Yes	Yes
	In-built system bypass	Yes	Yes	Yes
	In-built condensate trap/siphon	Yes	Yes	Yes
	In-built boiler frost protection	Yes	Yes	Yes
	Zero compartment ventilation	Yes	Yes	Yes
CLEARANCES	Top (min. mm) from top of boiler	165	165	165
	Side (mm)	2.5	2.5	2.5
	Bottom (mm)	100*	100*	100*
	Front (mm)	450*	450*	450*
USER INTERFACE	User display	Symbols and text		
	User interface	3 dials, 2 buttons		
	Diagnostics	Plain English text		
	User adjustable	Manual heating & hot water controls		
	'Eco' setting on CH	Yes	Yes	Yes
	In-built programmer	Optional	Optional	Optional
PIPES	Pre-piping kit	Optional	Optional	Optional
	Stand-off kit	Optional	Optional	Optional
	Stand-off kit inc. pipes	Optional	Optional	Optional
FLUES	Max horizontal	9m	8m	6m
	Max vertical	7.5m	7.5m	7.5m
	Powered vertical	22m	22m	22m
	Direct rear flue kit (55/80)	No	No	No
CONNECTIONS**	Gas supply connection	15mm copper compression		
	CH flow connection	22mm copper compression		
	CH return connection	22mm copper compression		
	Inlet connection - DHW	15mm copper compression		
	Outlet connection - DHW	15mm copper compression		
	Condensate drain	21.5mm		
ErP EFFICIENCIES	Condensing boiler	Yes	Yes	Yes
	Seasonal space heating efficiency class	A	A	A
	Rated heat output kW	24	24	24
	Seasonal space heating energy efficiency η_s %	94	94	94
	Water heating energy efficiency class	A	A	A

*Can be reduced to 5mm, 450mm required for servicing (front) 100mm (bottom). *Also available: High Level Flue Outlet Kit/Direct Rear Flue Kit (55/80).

**For outputs exceeding 18 kW (60,000 Btu/h), 28mm primary pipework will be required.

+ VOGUE

SHOWCASING UNIQUE BOILER INNOVATION, THE VOGUE FROM IDEAL BOILERS UTILISES MODERN TECHNOLOGY, TEAMED WITH PREMIUM PARTS AND COMPONENTS TO BRING YOU THE NEXT STEP IN DOMESTIC HEATING INTELLIGENCE.

The complete design, from component specification, manufacture and build, through to consumer use is engineered with quality in mind. All models in the Vogue range deliver premium performance, reliability and are supported by a premium aftersales support service.

The Vogue range comes complete with comprehensive components and a 10 year warranty* for complete peace of mind.

As well as receiving a Good Housekeeping Reader Recommendation, the Vogue is the ideal solution for customers looking for a top of the range product.



*10 year warranty available until 31.12.2016. 7 year warranty as standard. Subject to terms and conditions. Parts and labour warranty available when registered within 30 days of installation.

KEY FEATURES.

The Vogue range comes complete with premium components and a 10 year warranty* for complete peace of mind. As well as receiving a Good Housekeeping Reader Recommendation, the Vogue is the ideal solution for customers looking for a top of the range product.

- Good Housekeeping Reader Recommendation status
- Vogue is the ideal solution for customers looking for a top of the range product
- Stainless steel heat exchanger
- Service display with installer telephone number input
- Boiler frost protection
- Commissioning function
- Fault history & help text
- Modulating pump
- Automatic bypass and built-in filling loop (combi models)



*Heating and hot water ErP A rating on combi models as shown. Heating ErP A rating on system models.

VOGUE

COMBI 26 32 40 SYSTEM 15 18 26 32.

Every model in the Vogue range comes complete with a 10 year parts and labour warranty.* When choosing Vogue, installers and homeowners can rest assured that they will be receiving ultimate peace of mind.

Unrivalled levels of reliability are achieved through integrated product design - only high specification components and interface are used, and all our suppliers have market leading technical competence and quality assured processes.

KEY FEATURES.

RELIABLE

- 10 year warranty*
- High DHW flow 40 kW Combi
- Premium standard components

EASY TO INSTALL

- Longer maximum flue lengths with easy access sampling points
- Brass waterset including readily accessible parts
- Choice of plug-in controls

PRODUCT INTELLIGENCE

- Cool door technology
- Modulating pump
- Up to 7:1 modulation
- Large 10 litre expansion vessel
- Large backlit LCD with plain text
- Service display & telephone number input

PREMIUM COMPONENTS

- Stylish chassis with full size door complete with damped opening
- Stainless steel heat exchanger

VOGUE.
 COMBI 26 32 40 SYSTEM 15 18 26 32



10 YEAR WARRANTY*



COMPACT



FROST PROTECTION



FLUE VARIANTS



NOx CLASS 5



DIGITAL DISPLAY



PREMIUM COMPONENTS



HIGH PERFORMANCE

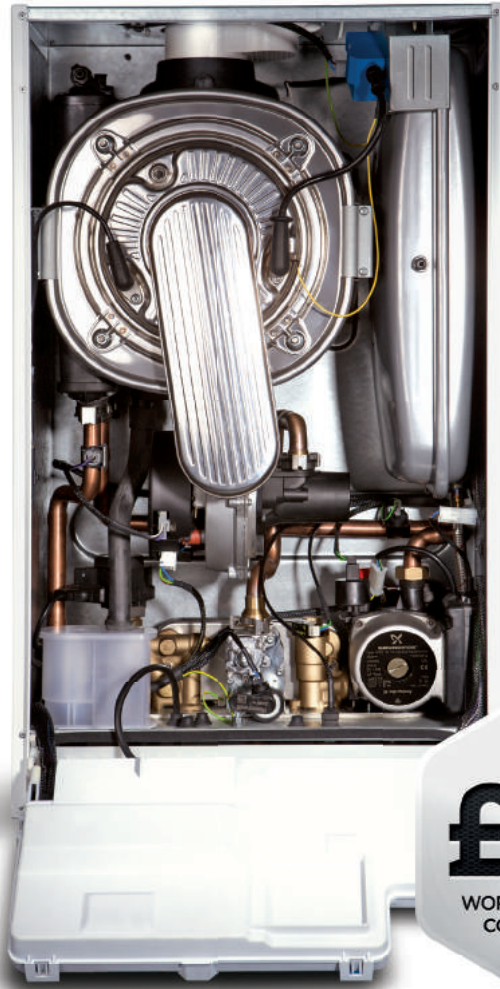


LPG CONVERSION



ErP COMPLIANT†

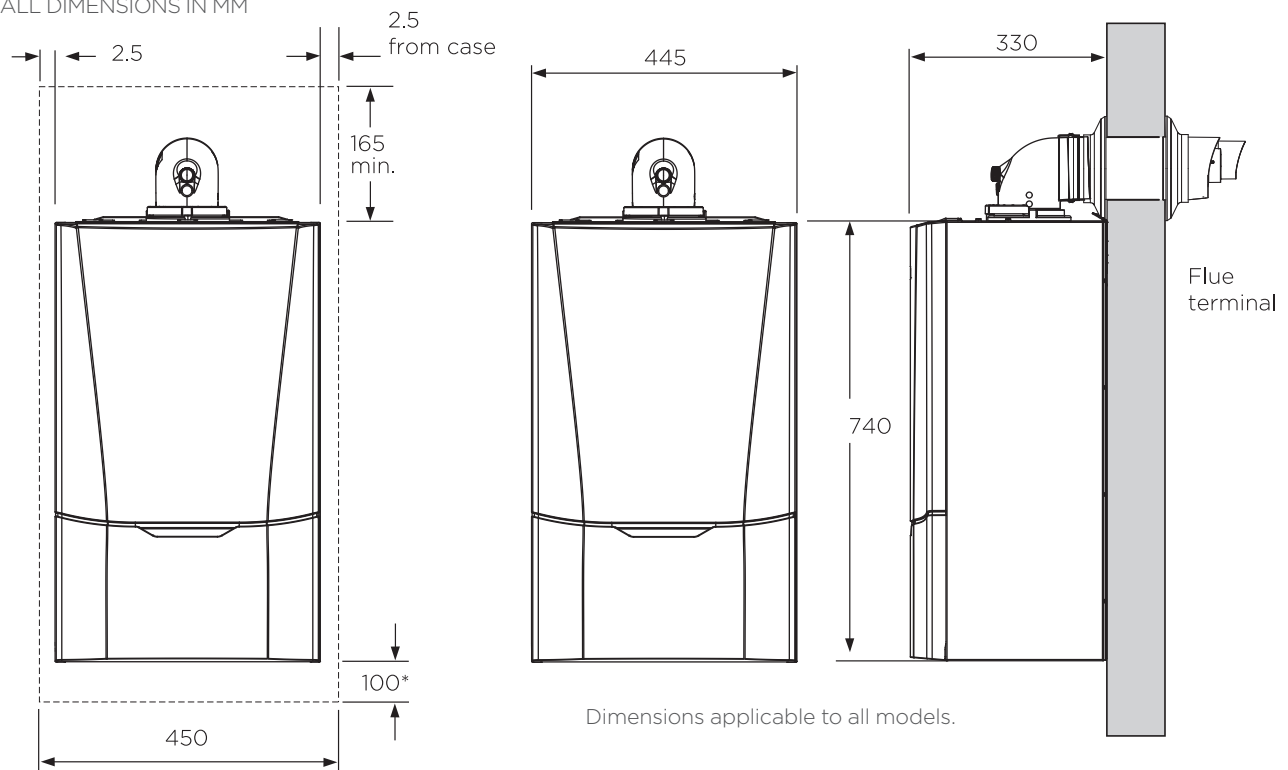
*10 year warranty available until 31.12.2016. 7 year warranty as standard. Subject to terms and conditions. Parts and labour warranty available when registered within 30 days of installation.
 †Heating and hot water ErP A rating on combi models as shown. Heating ErP A rating on system models.



UP TO
£50
WORTH OF INSTALLER
CONNECT POINTS

CLEARANCES & DIMENSIONS.

ALL DIMENSIONS IN MM



Dimensions applicable to all models.

*Bottom clearance after installation can be reduced to 5mm. However, 100mm is required for servicing.

TECHNICAL SPECIFICATION.

		VOGUE COMBI	
BOILER MODEL		26	32
PRODUCT CODE		208304	208305
SIZE	Height (mm)	740	740
	Width (mm)	445	445
	Depth (mm)	330	330
	Packaged weight (kg)	40.4	41.7
	Installation weight (kg)	35.0	36.4
PERFORMANCE	CH output (kW) Min/Max mean 70°C	3.7-18.0	4.6-26.0
	CH output (kW) Min/Max mean 40°C	4.0-19.3	4.9-27.9
	DHW output (kW) Max	26	32
	DHW flow rate l/min. 35°C rise	10.6	13.1
	SEDBUK (2005) %	91	91.1
	SEDBUK (2009/2012) %	89.1	89.2
	NOx Classification	5	5
	Optional LPG kit	Yes	Yes
CONSTRUCTION	Heat exchanger material		
	Burner type		
	Fully modulating output	7:1	7:1
	DHW plate heat exchanger	Yes	Yes
	Pump & hydroblock		Brass with modulating pump
INSTALLATION	Suitable for sealed systems	Yes	Yes
	Suitable for open-vent systems	No	No
	Filling loop	Yes	Yes
	Pre-wired mains lead	Yes	Yes
	In-built system bypass	Yes	Yes
	In-built condensate trap/siphon	Yes	Yes
	In-built boiler frost protection	Yes	Yes
	PRV Wall outlet pipe standard	Yes	Yes
	Zero compartment ventilation	Yes	Yes
CLEARANCES	Top (mm) (from top of boiler)	165	165
	Side (mm)	2.5	2.5
	Bottom (mm)	100	100
	Front (mm)	450*	450*
USER INTERFACE	User display		
	User interface		
	Diagnostics		
	User adjustable		Manual heating & hot water controls
	'Eco' setting on CH	Yes	Yes
	DHW preheat	Yes	Yes
	Pressure gauge		
	In-built programmer		Optional (Mech. & electronic)
PIPES	Stand-off kit	Yes	Yes
	Stand-off kit inc. pipes.	Yes	Yes
FLUES	Max horizontal	10	8
	Max vertical	10	10
CONNECTIONS**	Gas supply connection		22mm copper compression
	CH flow connection		22mm copper compression
	CH return connection		22mm copper compression
	Inlet connection - DHW		15mm copper compression
	Outlet connection - DHW		15mm copper compression
	Condensate drain		21.5mm Universal
ErP EFFICIENCIES	Condensing boiler	Yes	Yes
	Seasonal space heating efficiency class	A	A
	Rated heat output kW	18	24
	Seasonal space heating energy efficiency η_s %	92	93
	Sound power level, indoors L _{WA} dB	50	51
	Water heating energy efficiency class	A	A

*Can be reduced to 5mm, 450mm required for servicing.

**For outputs exceeding 17.6kW (60,000 Btu/h), 28mm primary pipework will be required.

VOGUE SYSTEM					
40	15	18	26	32	
208306	208307	208308	208309	208310	
740	740	740	740	740	
445	445	445	445	445	
330	330	330	330	330	
43.7	37.7	38.0	40.9	41.1	
38.0	31.9	33.1	34.4	35.9	
5.7-32.0	3.0-15.0	3.6-18.0	5.2-26.0	6.4-32.0	
6.1-34.3	3.2-16.2	3.9-19.3	5.6-27.9	6.8-34.3	
40	N/A	N/A	N/A	N/A	
16.4	N/A	N/A	N/A	N/A	
91	91	91.1	91.1	91.1	
89.1	88.9	89.3	89.3	89.3	
5	5	5	5	5	
Yes	Yes	Yes	Yes	Yes	

Stainless steel

Pre-mix steel with 'cool burner door'

7:1	5:1	5:1	5:1	5:1
Yes	N/A	N/A	N/A	N/A

Modulating pump

Yes	Yes	Yes	Yes	Yes
No	No	No	No	No
Yes	No	No	No	No
Yes	No	No	No	No
Yes	Yes	Yes	Yes	Yes
Yes	Yes	Yes	Yes	Yes
Yes	Yes	Yes	Yes	Yes
Yes	Yes	Yes	Yes	Yes
Yes	Yes	Yes	Yes	Yes
165	165	165	165	165
2.5	2.5	2.5	2.5	2.5
100	100	100	100	100
450*	450*	450*	450*	450*

Large backlit LCD with text & symbols

Text display & manual controls

Plain English text

Manual heating control

Yes	Yes	Yes	Yes	Yes
Yes	N/A	N/A	N/A	N/A

Analogue in control panel

Optional

Yes	Yes	Yes	Yes	Yes
Yes	Yes	Yes	Yes	Yes
8	10	10	10	8
10	10	10	10	10

22mm copper compression

22mm copper compression

22mm copper compression

N/A

N/A

21.5mm Universal

Yes	Yes	Yes	Yes	Yes
A	A	A	A	A
24	15	18	26	32
93	92	93	93	93
51	47	50	50	51
A	N/A	N/A	N/A	N/A

+ KITS & CONTROLS

WE BELIEVE THAT CHOOSING THE RIGHT CONTROL TO MEET THE NEEDS OF YOUR CUSTOMER IS AS IMPORTANT AS CHOOSING THE RIGHT BOILER; THAT'S WHY THE LOGIC+ AND VOGUE BOILERS ARE FULLY COMPATIBLE WITH A RANGE OF THERMOSTATS AND TIMERS FOR THE ULTIMATE IN HOME COMFORT.

QUALIFIES FOR
INSTALLER CONNECT
POINTS



TOUCH.

Ideal's new electronic programmable room thermostat featuring simple user interface, 7 day timed control of central heating, wireless connection and built in frost protection.

- Part No. 214216

ErP: Class 5.

MECHANICAL TIMER.

Simple heating control through a plug-in analogue timer. 24 hour tappet operation with off/timed/continuous periods.

- Part No. 215390 Logic+ Combi only
- Part No. 208445 Vogue Combi only

Image shown is 215390

ErP: Class 0, no additional efficiency.



RF ELECTRONIC PROGRAMMABLE THERMOSTAT.

Wireless Radio Frequency (RF) digital timer and room thermostat providing heating control. 7 day, plain text operating and diagnostics display. Automatic summer/winter time update.

- Part No. 216131 Logic+ Combi only
- Part No. 208447 Vogue Combi only

Image shown is 208447

ErP: Class 5, 3% additional efficiency.



VOGUE ELECTRONIC TIMER.

Easy-to-use heating control through a plug-in digital timer. Plain text operating and diagnostics information. 7 day and up to 3 time periods per day. Automatic summer/winter time update.

- Part No. 208907 Vogue Combi only
- Part No. 208909 Vogue System only

Image shown is 208907
ErP: Class 0, no additional efficiency.



WEATHER COMPENSATION OUTDOOR SENSOR.

Ideal Boiler ranges provide weather compensation when fitted with an outdoor sensor (which is available as an optional accessory). Weather compensation works by measuring the temperature outside the home and adjusting the temperature (or flow) of the radiators inside. If the weather is particularly cold outside, the outdoor sensor will communicate with the boiler intelligently to increase the radiator temperature. This process also works in reverse, as the outdoor temperature increases, the flow to the radiators will decrease. This process allows the system to operate more efficiently by only heating to the minimum temperature necessary and also preventing spikes in heating activity.

- Part No. 216119 Logic+
- Part No. 208921 Vogue Combi & System

ErP: Class 2, 2% additional efficiency.

VOGUE RF MECHANICAL PROGRAMMABLE THERMOSTAT.

Wireless Radio Frequency (RF) analogue timer and room thermostat providing heat control. Easy-to-use 24 hour tappet control.

- Part No. 208774 Vogue Combi only

ErP: Class 1, 1% additional efficiency.
If fitted with Weather Compensation (Outdoor Sensor)
(Vogue Combi 208921)
ErP: Class 2, 2% additional efficiency.



PRODUCT CODE	CONTROL TYPE	BOILER	
		VOGUE	LOGIC+
208445	Integral Mechanical Clock	✓	✗
208907	Electronic Timer (Vogue Combi)	✓	✗
208909	Electronic Timer (Vogue System)	✓	✗
208774	RF Mechanical Programmable Room Thermostat	✓	✗
208447	RF Electronic Programmable Room Thermostat	✓	✗
215390	Integral Mechanical Clock	✗	✓
216131	RF Electronic Programmable Room Thermostat	✗	✓
214216	Touch RF Electronic Programmable Room Thermostat	✗	✓

LPG CONVERSION KITS.

Designed for use with the Logic+ and Vogue range of boilers, the Ideal LPG (propane) conversion kit provides a simple and robust conversion solution.

KEY FEATURES.

- Available for all Logic+ and Vogue ranges (Combi, Heat & System)
- Suitable for most property sizes
- Fast & simple conversion with pre-set gas valve for no product adjustment

PRODUCTS APPLICABLE

- Logic+ Combi C30 kW
- Logic+ Heat H30 kW
- Logic+ System S30 kW
- Vogue Combi 26, 32, 40 kW
- Vogue System 15, 18, 26, 32 kW

NATURAL GAS TO LPG KIT CONTENTS.

Each kit comprises:

- Gas valve (preset operation)
- Burner injector
- Data plate labels
- Instructions
- Washer (not pictured)
- 'O' ring (not pictured)



Use of the preset gas valve ensures the safety of a non-adjustable gas valve is retained during conversion.

Two data plate labels are provided in the kits inclusive of a new data plate providing LPG details, and a label to retain boiler serial number identity.

LPG HEAT OUTPUTS.

BOILER MODEL	LOGIC+			VOGUE COMBI			VOGUE SYSTEM			
	COMBI C30	HEAT H30	SYSTEM S30	26	32	40	15	18	26	32
Min. output (kW)	8.0	8.0	8.0	4.4	5.4	6.7	3.8	4.4	5.2	8.0
Max. output (kW)	24.2	30.3	30.3	18.0	26.0	32.0	15.0	18.0	26.0	32.0
Max. DHW output (kW)	30.3	N/A	N/A	26.0	32.0	40.0	N/A	N/A	N/A	N/A

PRODUCT CODE

NG - LPG CONVERSION KITS

215740	Logic+ Combi C30
215744	Logic+ Heat H30
215746	Logic+ System S30
209282	Vogue Combi 26
209283	Vogue Combi 32
209284	Vogue Combi 40
209285	Vogue System 15
209286	Vogue System 18
209287	Vogue System 26
209288	Vogue System 32

PRODUCT CODE

LPG - NG CONVERSION KITS

178996	Logic+ Combi C30
178999	Logic+ Heat H30
179001	Logic+ System S30
177107	Vogue Combi 26
177108	Vogue Combi 32
177109	Vogue Combi 40
177110	Vogue System 15
177111	Vogue System 18
177112	Vogue System 26
177113	Vogue System 32

+ HIGH EFFICIENCY CYLINDERS

IF YOU'RE INSTALLING A HEAT ONLY OR SYSTEM BOILER FROM THE IDEAL LOGIC+ OR VOGUE RANGE, THEN CONSIDER THE THERMSTORE RANGE OF CYLINDERS - THE PERFECT SOLUTION FOR NEW OR REPLACEMENT INSTALLATIONS.



2
YEAR PARTS
WARRANTY

25
YEAR VESSEL
WARRANTY

THERMSTORE

90 120 150 180 210 250 300 400.

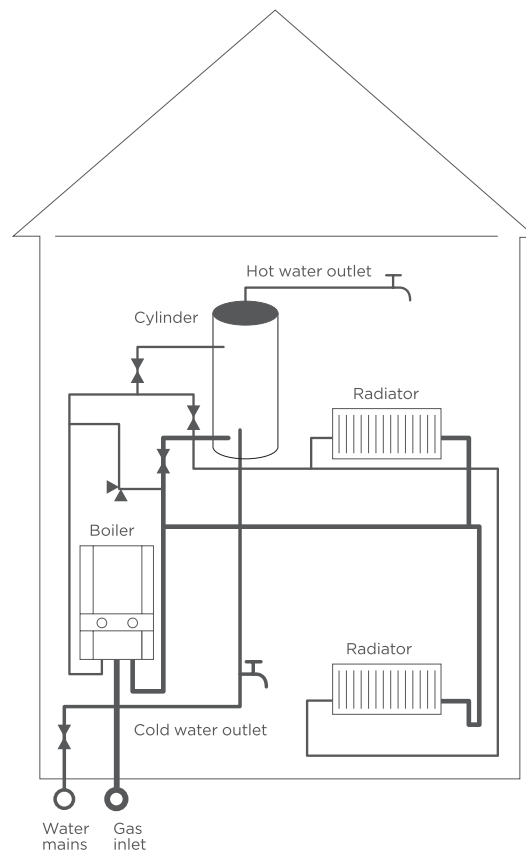
The Ideal Thermstore range of stainless steel unvented, indirect cylinders are manufactured to the highest standards. We have 8 models in the range, all with a 2 year parts and labour

warranty, so you can be sure the Thermstore allies the twin demands of excellent product quality with outstanding value.

KEY FEATURES.

- 2 year parts and labour, and 25 year vessel warranty
- Duplex stainless steel construction to offer excellent resistance to corrosion
- Global Warming Potential (GWP) of 1 provides CfSH benefits
- Insulated using the latest HCFC free Envirofoam
- Corrugated heat transfer coil to give 20% faster recovery than plain tube
- Manufactured in accordance with BS EN 12897
- Complete with all quality fittings according to model
- Lightweight for ease of installation
- Standing heat loss as low as 0.8 kW hr/24hr

HOME SET UP.



THERMSTORE.

90 120 150 180 210 250 300 400

STANDARD APPLIANCE.

- Hot water draw of 22mm compression
- Temperature and pressure relief valve 95°C/6 bar
- Hot water secondary return 22mm (not fitted to cylinders below 210 litres)
- Immersion heater 1 3/4" BSP 3 kW
- Cold supply 22mm compression
- Dual control/overheat thermostat pocket
- Boiler control sensor pocket (spare)
- Primary flow 22mm compression (28mm tails for 400 litre model only)
- Primary return 22mm compression (28mm tails for 400 litre model only)

STANDARD COMPONENTS SUPPLIED.

- Combination inlet group incorporating pressure reducing valve, strainer, check valve, balanced cold take-off point, expansion relief valve and expansion vessel connection points
- Potable expansion vessel complete with flexible hose and wall bracket
- Tundish
- Dual control thermostat and combined overheat thermostat
- Two port 22mm zone valve for primary circuit
- Wiring junction box for primary system



TECHNICAL SPECIFICATION.

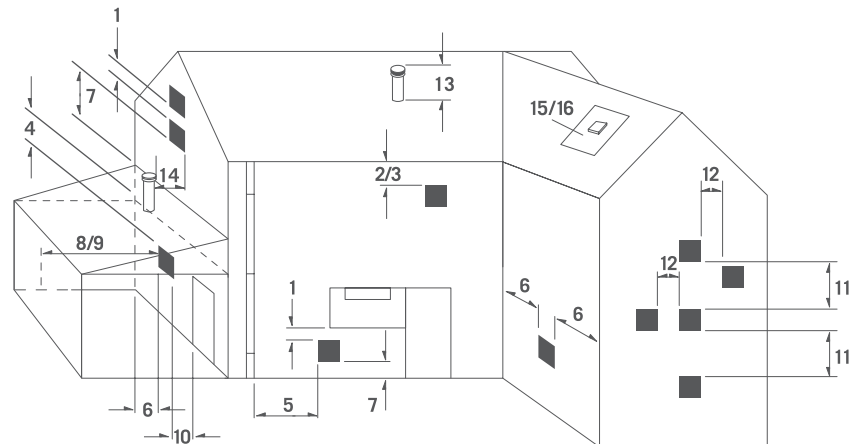
CYLINDER MODEL		IDEAL THERMSTORE							
		90	120	150	180	210	250	300	400
SIZE	Height (mm)	745	930	1120	1305	1495	1745	1992	2030
	Diameter (mm)	550	550	550	550	550	550	550	630
	Weight (empty) (kg)	19	22	26	28	33	38	44	55
	Weight (full) (kg)	109	142	176	208	243	288	344	455
	Capacity (litres)	90	120	150	180	210	250	300	400
PERFORMANCE	Pressure regulator (bar)	3	3	3	3	3	3	3	3
	Expansion vessel size (litres)	12	12	18	18	24	24	35	2 x 24
	Rating of primary coil (kW)	16.5	18.0	18.5	19.0	20.5	21.5	25.0	30.5
	Recovery time after 70% draw off (min)	16	19	19	21	26	30	32	36
	Heat up time from 15°C to 60°C (min)	21	27	28	33	41	44	48	55
	Standing losses (kWhr/24hr)	0.85	1.06	1.27	1.48	1.70	1.85	2.04	2.82

FLUE SITING.

There are a substantial number of fluing options available for Ideal boiler ranges, giving excellent siting flexibility for almost all applications.

The range of options include standard and telescopic flue as well as roof flue and powered vertical flue options.

To ensure siting issues are kept to a minimum, High Level Flue Outlet kit options and Flue Deflector kits are available.

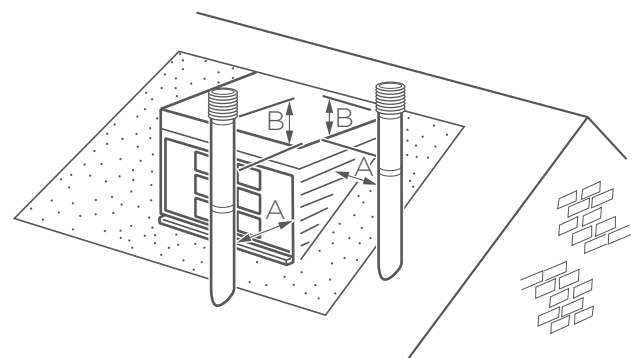
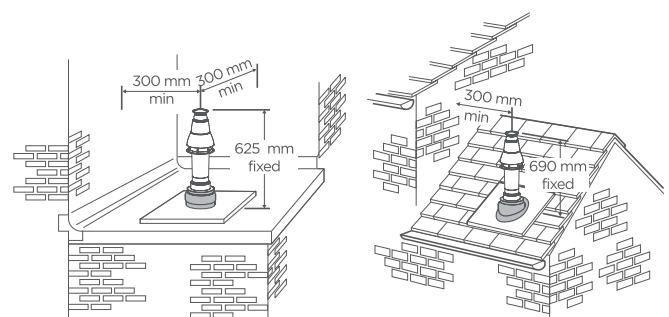


MINIMUM DIMENSIONS OF FLUE TERMINAL POSITIONS.

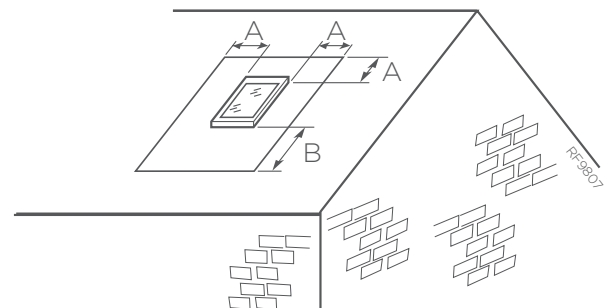
FLUE TERMINAL POSITION	MIN. SPACING
1. Directly below, above or alongside an opening window, air vent or other ventilation opening.	300mm (12")
2. Below guttering, drain pipes or soil pipes BS5440-1 2008	25mm (1")* 75mm (3")
3. Below eaves. BS5440-1 2008	25mm (1")* 200mm (8")
4. Below balconies or car port roof. BS5440-1 2008	25mm (1")* 200mm (8")
5. From vertical drain pipes or soil pipes. BS5440-1 2008	25mm (1")* 150mm (6")
6. From an internal or external corner or to a boundary alongside the terminal. BS5440-1 2008	25mm (1")* 300mm (12")
7. Above ground, roof or balcony level.	300mm (12")
8. From a surface or boundary facing a terminal.	600mm (24")
9. From a terminal facing a terminal.	1200mm (48")
10. From an opening in a car port (eg. door or window) into dwelling.	1200mm (48")
11. Vertically from a terminal on the same wall.	1500mm (60")
12. Horizontally from a terminal on the wall.	300mm (12")

VERTICAL FLUES

13. Above the roof pitch with roof slope of all angles. Above flat roof.	300mm (12") 300mm (12")
14. From a single wall face. From corner walls.	300mm (12") 300mm (12")
15. Below Velux window.	2000mm (79")
16. Above or side of Velux window.	600mm (24")



If chimney penetrates dotted area such that A is less than 300mm, B shall not be less than 300mm.



A = 600mm
B = 2000mm

The flue terminal shall not penetrate the shaded area of the roof.

*Only one reduction down to 25mm is allowable per installation otherwise BS5440-1 2008 dimensions must be followed.

LOGIC+ & VOGUE FLUE KITS.

- Part No. 208171 Horizontal flue terminal (0.6m long)
- Part No. 208169 Telescopic B pack flue (0.6m long)
- Part No. 208174 Telescopic horizontal flue terminal (1m long)
- Part No. 208290 Raised horizontal flue kit
- Part No. 203129 Flue extension 1m (pack D)
- Part No. 203130 Flue elbow 90 deg kit (60/100)
- Part No. 203131 Flue elbow 45 deg kit (60/100) (pair)
- Part No. 208178 High level flue outlet kit
- Part No. 203228 Flue extension kit 60 dia (1m) for high level flue outlet kit
- Part No. 203229 High level 90 deg elbow
- Part No. 203230 High level 45 deg elbow (pair)
- Part No. 152258 Weather collar universal 100 dia (fits slate & tiles)
- Part No. 152259 Weather collar flat roof 100 dia
- Part No. 208176 Flue deflector kit 60 dia (clips on end of flue & angles plumbing away)
- Part No. 205990 Rear flue outlet kit 55/80 (Logic+ heat only)
- Part No. 205989 High level outlet kit 55/80 (Logic+ heat only, rear flue only)
- Part No. 208177 Balcony flue outlet kit
- Part No. 211037 Flue extension 0.5m kit (Pack D)
- Part No. 211038 Flue extension 2m kit (Pack D)
- Part No. 211039 Roof flue kit (with vertical connector)
- Part No. 211302 Soffit kit 60/100 (14 05295)

LOGIC+ ACCESSORIES.

- Part No. 211103 Stand off kit
- Part No. 211101 Stand off kit (including upward piping; combi)
- Part No. 211330 Stand off kit with pipes Logic System
- Part No. 206153 Stand off kit Logic Heat
- Part No. 211328 Terminal wall plate RS kit combi & system
- Part No. 206164 Terminal wall plate kit RS replacement (heat)
- Part No. 205419 Kit - DHW expansion vessel
- Part No. 159991 Ideal HE condensate pump
- Part No. 211329 Visually impaired kit

VOGUE ACCESSORIES.

- Part No. 208442 Stand off kit Vogue
- Part No. 208443 Stand off kit (including piping) Vogue Combi
- Part No. 208707 Stand off kit (including piping) Vogue System
- Part No. 205419 Kit - DHW expansion vessel
- Part No. 159991 Ideal HE condensate pump



+ GREAT BOILERS FROM GREAT BRITAIN.



Ideal Boilers
PO Box 103
National Avenue
Kingston upon Hull
East Yorkshire
HU5 4JN

T 01482 492251
enquiries@idealboilers.com

WWW.IDEALBOILERS.COM

