

**Receiver**
**From**

 Society  
 Reference  
 Address  
 Phone  
 Fax  
 E-mail

**Item n° :**

60150940

**Model :**

EVOPLUS 80/180 M

**Pump data**

 Pressure rating : 1600 kPa  
 Min. fluid temperature : -10 °C  
 Max. fluid temperature : 110 °C  
 EEI : ≤ 0,22

**Minimum suction head :**

 Temperature °C 90 100  
 Minimum suction head : m 20 25

**Requested data**

 Flow : 0.00 m³/h  
 Head : 0.00 m  
 Fluid (%) : Water, pure  
 Fluid Temperature : 20 °C  
 Density : 998.3 kg/m³  
 Kinematic viscosity : 1.005 mm²/s  
 Vapor pressure : 100.00 kPa

**Hydraulic data (duty point)**

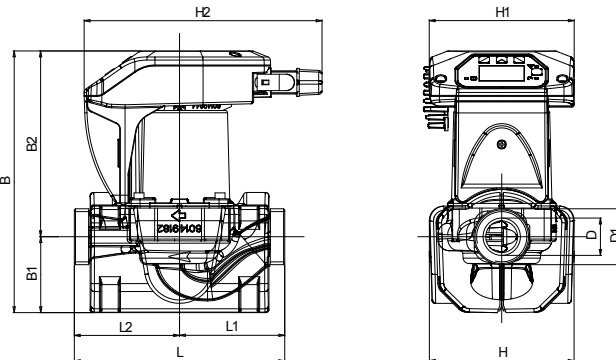
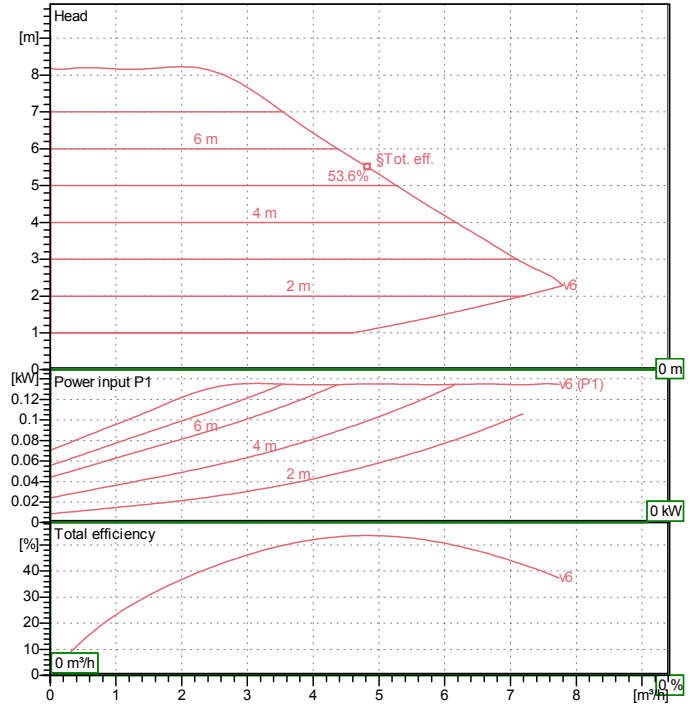
 Flow :  
 Head :

**Materials**

 Pump body : Cast iron 250 UNI ISO 185 - CTF  
 Impeller : Technopolymer  
 Motor shaft : Alumina  
 Seal ring : EPDM  
 Motor casing : Die cast aluminium  
 Closing flange : Stainless steel  
 Thrust ring support : EPDM

**Motor data**

 Motor brand : DAB  
 Power input P1 : 0.1349 kW  
 Rated voltage : 1~ 220-240 V 50 Hz  
 Nominal current : 0.95 A  
 Degree of protection : IP 44

**Curve tolerance according to ISO 9906**

**Dimensions in mm**

B	224	H	124	L2	90		
B1	65	H1	124				
B2	159	H2	204				
D	32	L	180				
D1	1"1/2 G	L1	90				

**Weight :** 4.5 kg

**Pump connection**

 Suction side : 1"1/2 G  
 Discharge side : 1"1/2 G



# PERFORMANCE CURVES

14/09/2016

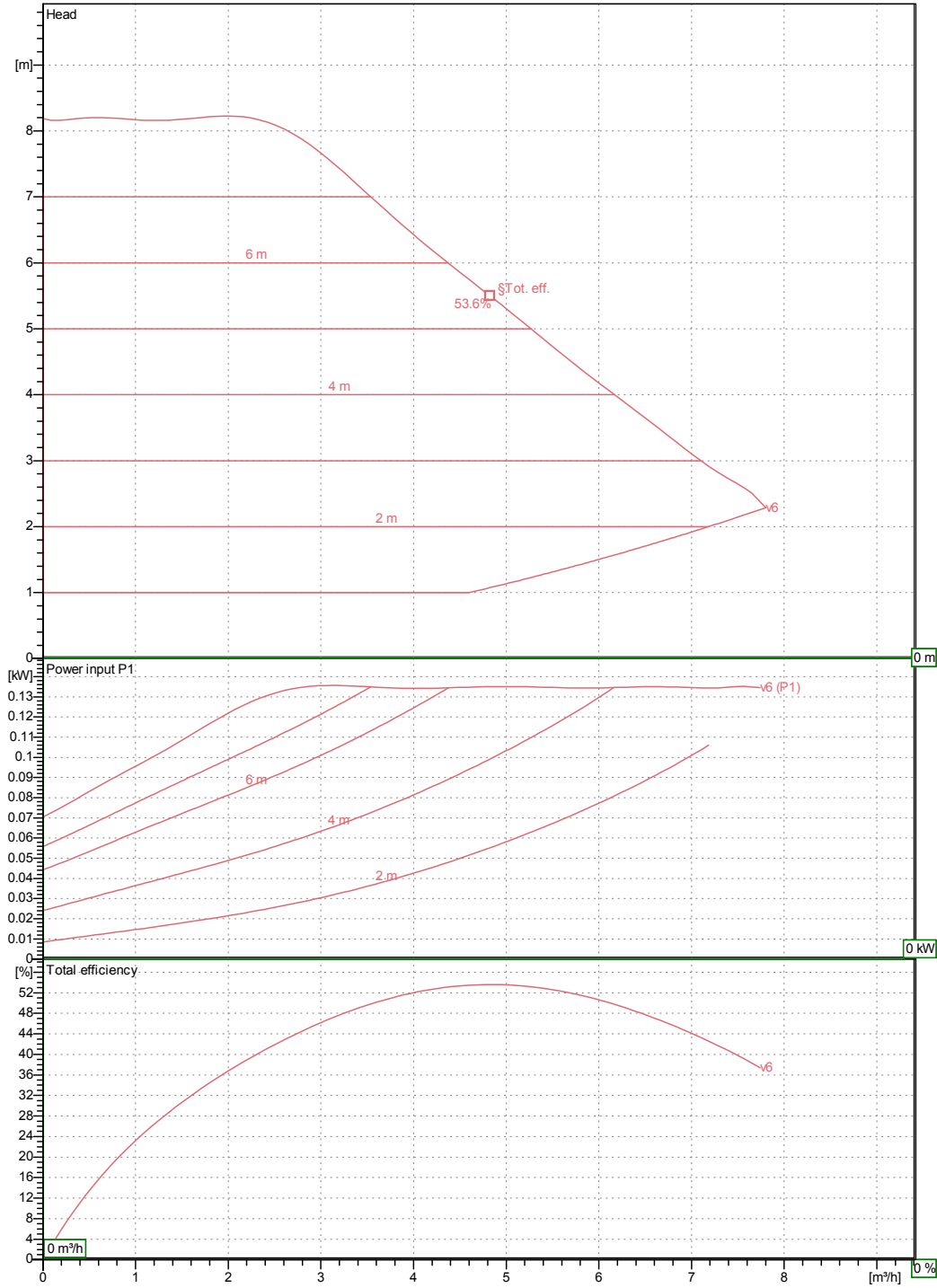
Page 2 / 3

DAB PUMPS S.p.A.  
Via Marco Polo, 14 - 35035 Mestrino (PD), Italy  
Tel. +39 049 5125000 - Fax +39 049 5125950  
www.dabpumps.com

Society Reference Address Phone Fax E-mail	<b>Receiver</b>	<b>From</b>
---	-----------------	-------------

## EVOPLUS 80/180 M

Curve tolerance according to ISO 9906



Hydraulic data (duty point)

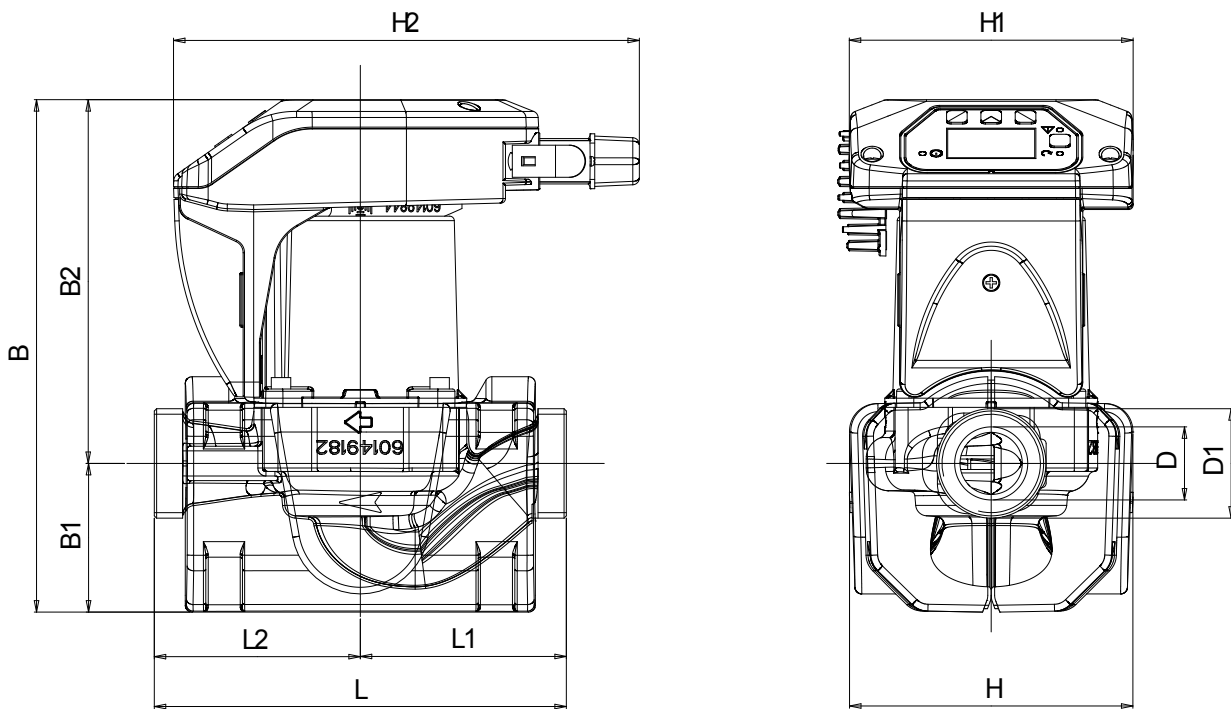
Suction side : 1"1/2 G 16 bar (1600 kPa)	Discharge side : 1"1/2 G 16 bar (1600 kPa)	Flow : 0 m³/h	Head : 0 m	Rated speed : 2900 rpm
Project	Project ID	Created by	Created on <b>14/09/2016</b>	

Receiver

From

Society  
 Reference  
 Address  
 Phone  
 Fax  
 E-mail

## EVOPLUS 80/180 M


**Dimensions in mm**

Item	Dimension	Value	Reference	Value
1	B	224	L2	90
2	B1	65		
3	B2	159		
4	D	32		
5	D1	1"1/2 G		
6	H	124		
7	H1	124		
8	H2	204		
9	L	180		
10	L1	90		

**Pump connection**

Suction  
 1"1/2 G  
 16 bar (1600 kPa)

Discharge  
 1"1/2 G  
 16 bar (1600 kPa)

Project

Project ID

Created by

Created on

**14/09/2016**