

Amptec Technical Data



Amptec

Components

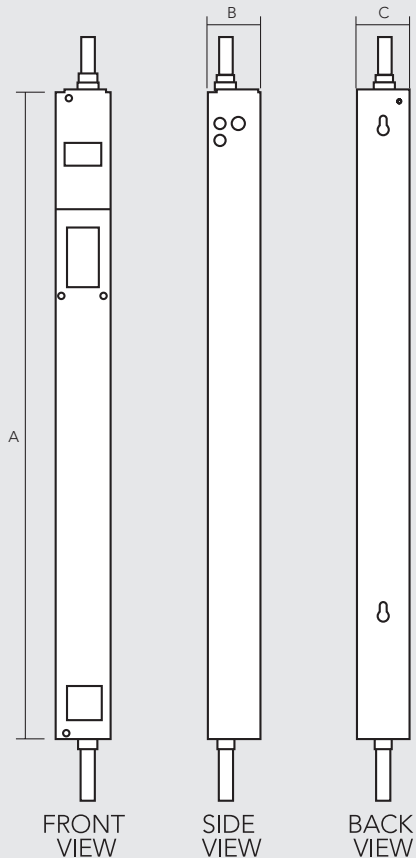
Check list

Within the Amptec packaging the following components are supplied:

- Amptec Electric Flow Boiler
- Installation manual
- Warranty card

Amptec

Performance – Radiator



DIMENSIONS AND PERFORMANCE

Model	4kW Radiator	6kW Radiator	9kW Radiator	11kW Radiator	12kW Radiator
A Height (mm)*	1050	1050	1050	1050	1050
B Width (mm)	90	90	90	90	90
C Depth (mm)**	90	90	90	90	90
Product Code	95:022:001	95:022:002	95:022:003	95:022:004	95:022:005
Electric boiler					
Electrical input max	4kW @ 240V 3.7kW @ 230V	6kW @ 240V 5.5kW @ 230V	9kW @ 240V 8.3kW @ 230V	11kW @ 240V 10.1kW @ 230V	12kW @ 240V 11kW @ 230V
Electrical supply voltage	220-240V	220-240V	220-240V	220-240V	220-240V
Electrical supply frequency	50Hz	50Hz	50Hz	50Hz	50Hz
220V / Btu	3.5kW / 11,900Btu	5kW / 17,000Btu	7.5kW / 25,600Btu	9kW / 30,700Btu	10kW / 34,000Btu
240V / Btu	4kW / 13,600Btu	6kW / 20,400Btu	9kW / 30,700Btu	11kW / 37,500Btu	12kW / 40,900Btu
Over temperature trips	95 and 100°C	95 and 100°C	95 and 100°C	95 and 100°C	95 and 100°C
Water content (litres)	1.3	1.3	1.3	1.3	1.3
Recommended Δt	5-10°C	5-10°C	5-10°C	5-10°C	5-10°C
Maximum operating pressure	3 bar	3 bar	3 bar	3 bar	3 bar
Output temperature control range	65 to 80°C	65 to 80°C	65 to 80°C	65 to 80°C	65 to 80°C
ErP rating	D	D	D	D	D

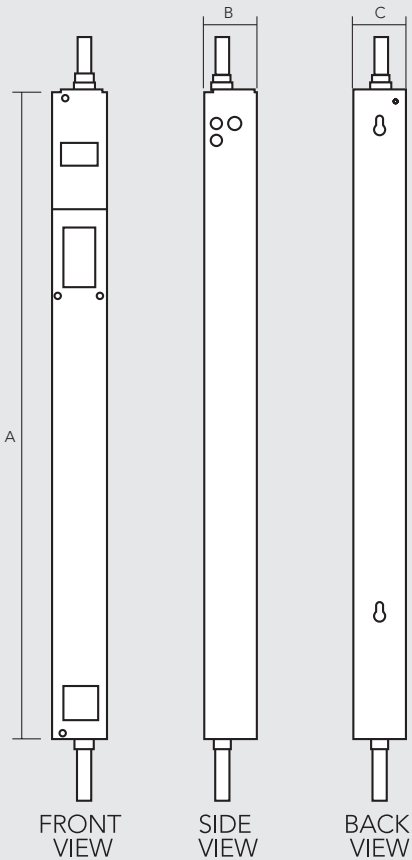
* Please note, 50mm minimum clearance each side of the boiler is required.

ErP TECHNICAL DATA

Product name	Amptec Standard				
	C400	C600	C900	C1100	C1200
Model identifier	C400	C600	C900	C1100	C1200
Seasonal space heating energy efficiency class	D	D	D	D	D
Rated heat output kW	4	6	9	11	12
Seasonal space heating energy efficiency %	37	37	37	37	37
Annual energy consumption kW/h	8661	12986	19472	23796	25958

Amptec

Performance – Underfloor



DIMENSIONS AND PERFORMANCE

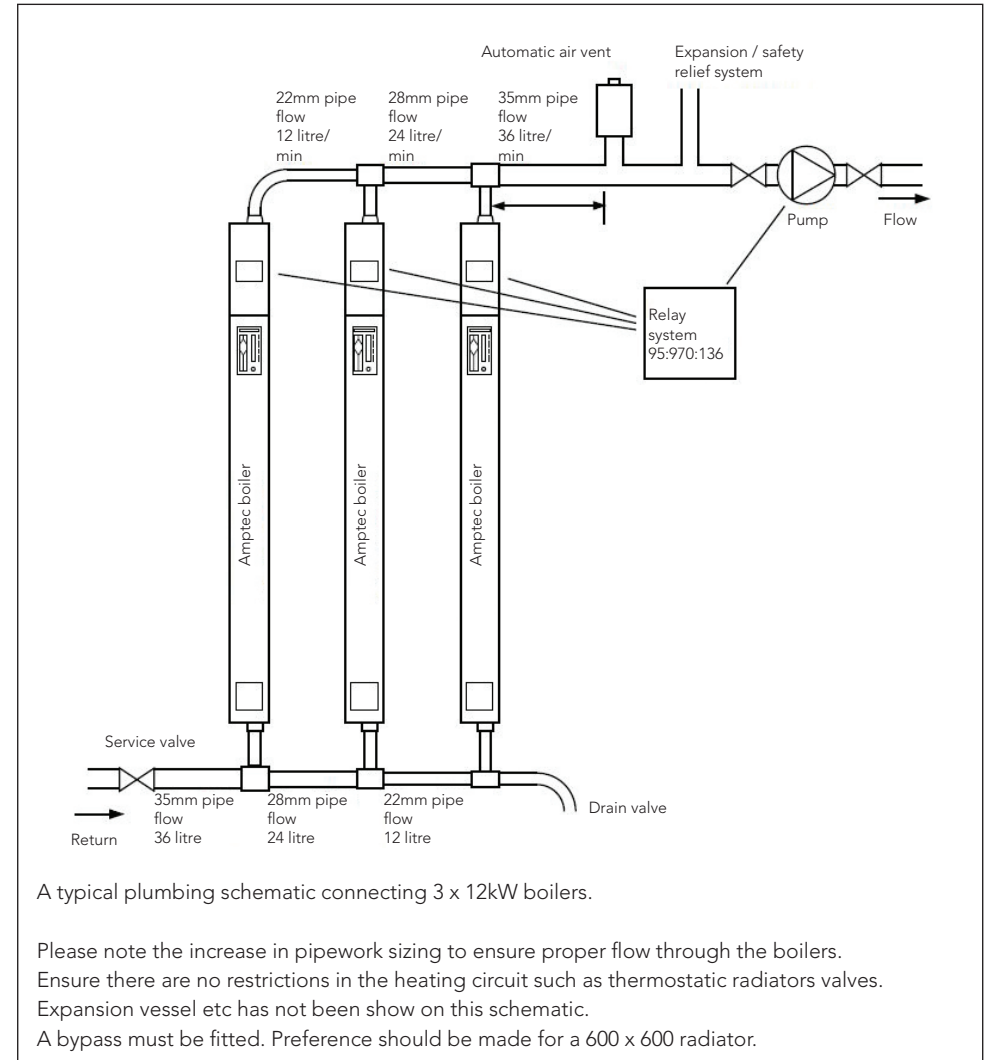
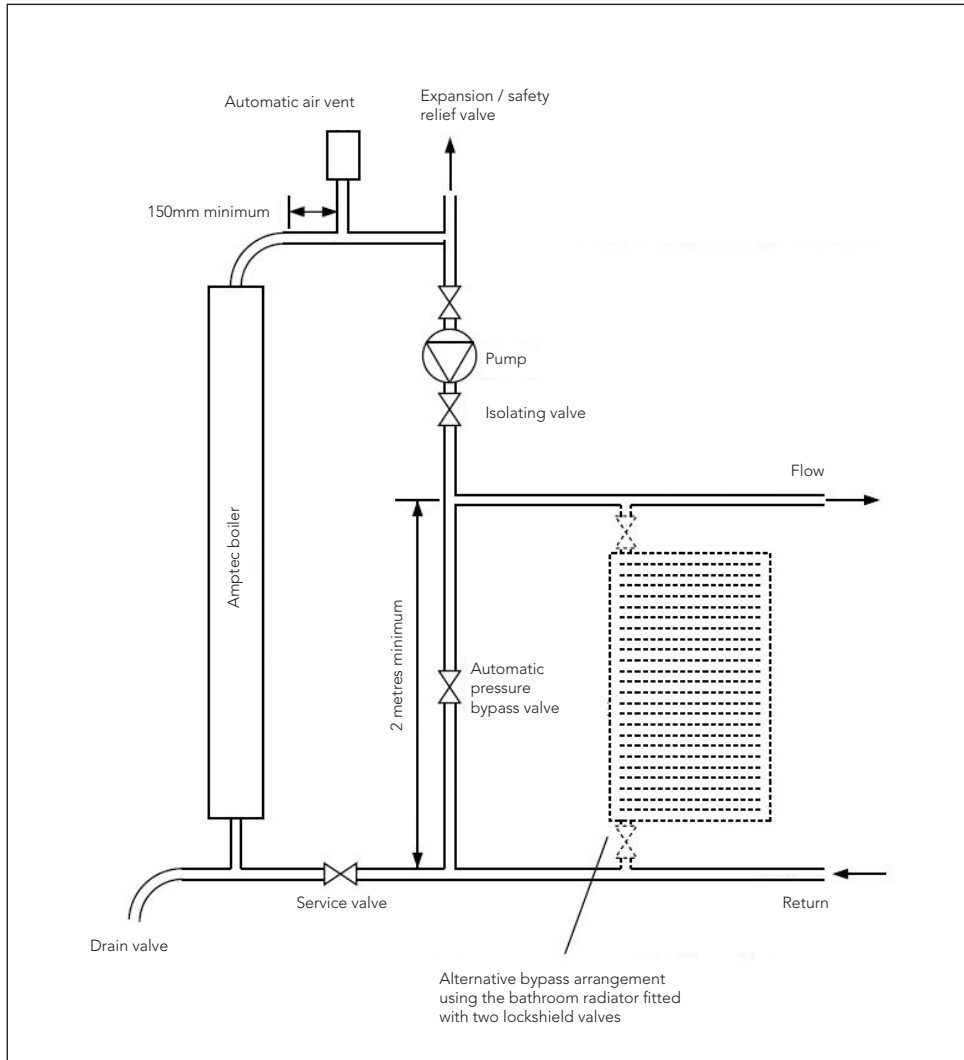
Model	4kW Underfloor	6kW Underfloor	9kW Underfloor	11kW Underfloor	12kW Underfloor
A Height (mm)*	1050	1050	1050	1050	1050
B Width (mm)	90	90	90	90	90
C Depth (mm)**	90	90	90	90	90
Product Code	95:022:101	95:022:102	95:022:103	95:022:104	95:022:105
Electric boiler					
Electrical input max	4kW @ 240V 3.7kW @ 230V	6kW @ 240V 5.5kW @ 230V	9kW @ 240V 8.3kW @ 230V	11kW @ 240V 10.1kW @ 230V	12kW @ 240V 11kW @ 230V
Electrical supply voltage	220-240V	220-240V	220-240V	220-240V	220-240V
Electrical supply frequency	50Hz	50Hz	50Hz	50Hz	50Hz
220V / Btu	3.5kW / 11,900Btu	5kW / 17,000Btu	7.5kW / 25,600Btu	9kW / 30,700Btu	10kW / 34,000Btu
240V / Btu	4kW / 13,600Btu	6kW / 20,400Btu	9kW / 30,700Btu	11kW / 37,500Btu	12kW / 40,900Btu
Over temperature trips	95 and 100°C	95 and 100°C	95 and 100°C	95 and 100°C	95 and 100°C
Water content (litres)	1.3	1.3	1.3	1.3	1.3
Recommended Δt	5-10°C	5-10°C	5-10°C	5-10°C	5-10°C
Maximum operating pressure	3 bar	3 bar	3 bar	3 bar	3 bar
Output temperature control range	30 to 60°C	30 to 60°C	30 to 60°C	30 to 60°C	30 to 60°C
ErP rating	D	D	D	D	D

* Please note, 50mm minimum clearance each side of the boiler is required.

ErP TECHNICAL DATA

Product name	Amptec Underfloor				
	U401	U601	U901	U1101	U1201
Model identifier	U401	U601	U901	U1101	U1201
Seasonal space heating energy efficiency class	D	D	D	D	D
Rated heat output kW	4	6	9	11	12
Seasonal space heating energy efficiency %	37	37	37	37	37
Annual energy consumption kW/h	8668	12992	19478	23803	25965

Amptec System Schematics



A typical plumbing schematic connecting 3 x 12kW boilers.

Please note the increase in pipework sizing to ensure proper flow through the boilers. Ensure there are no restrictions in the heating circuit such as thermostatic radiator valves. Expansion vessel etc has not been show on this schematic. A bypass must be fitted. Preference should be made for a 600 x 600 radiator.

Amptec Specification

Installation General

The boiler must be mounted in an UPRIGHT position. The boiler must be fixed to a wall before connecting pipework.

When choosing the position for the boiler, ensure sufficient clearances to house the unit and for servicing. 50mm minimum clearance each side of the boiler is required.

A drain valve at the base of the boiler is strongly recommended. It must be sited in a dry, ventilated position, frost free and not subjected to extremes of temperature.

Installation Plumbing

The boiler must be installed by a qualified, competent tradesman who is aware of and will comply with all relevant standards that are applicable: e.g. Building Regulations, the Local Authority Regulations, the Water Supply Regulations and any relevant British Standards.

The boilers contain a very small amount of water, and so require a sufficient flow rate of water to ensure proper operation.

Model	Minimum flow rate
4 & 6kW	6 litres / min
9, 11 & 12kW	12 litres / min

Pipework connections on all models are 22mm.

Do not solder directly onto boiler tails – push-on or compression fittings are suitable for connection to the boiler tails.

The Amptec is suitable for operation in sealed or open vented systems. It is also suitable for schemes such as heating only, W plan, S plan, zone heating, underfloor heating etc. With open vented units ensure there is a sufficient head of water – at least 1.5m between the bottom of the F & E tank and the top of the boiler.

Installation Electrical Requirements

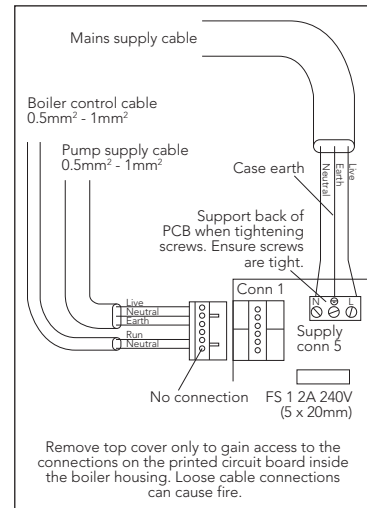
All wiring must be carried out in accordance with current IEE Wiring Regulations.

The Amptec boiler must be installed by a qualified competent tradesman in accordance with supplied instructions and drawings to correct operation. Check the main incoming supply to the property to ensure there is

sufficient current and voltage for the size of the boiler or boilers to be installed.

A double pole RCD with a trip level sensitivity of 30mA and capable of breaking the full load current relevant to the latest version BS EN 61008 must be used.

In order to provide a means of insulation, the boiler must be connected to the supply through a double pole linked switch with a minimum contact gap of 3mm in all poles.



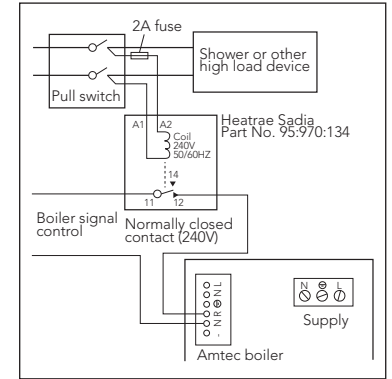
Limitations

Do not fit thermostatic radiator valves to the room with the control thermostat, other rooms may be fitted with thermostatic radiator valves. Do not operate under thermostatic radiator valves only.

Limitations on electrical supply: Where there is an electric shower and an electric flow boiler installed, the electrical supply may be overloaded if both units are operating at the same time. To prevent this condition a simple switch over relay box must be added.

Electric showers are normally run for short periods of time, and therefore shutting down the heating during these times should not cause any discomfort.

NOTE: this is only required if there is doubt with regard to supply limitations, and an electric shower that heats the water at the same time as the Amptec boiler is used.



Warranty

The product is covered against faulty materials and manufacture for a period of 2 years from the date of purchase.

Manufactured in a factory approved to:

- BS EN ISO 9001
- OHSAS 18001
- ISO 14001
- ISO 50001

Approvals:

- Nemko

ELECTRIC WATER HEATING

SPECIFICATION ADVICE HOTLINE

t | 01603 420220 e | specifier@heatraesadia.com

AFTER SALES SERVICE

t | 0344 871 1535 e | heatraesadiaservice@heateam.co.uk

w | heatraesadia.com



Baxi Customer Support is Heatrae Sadia's own service division.

With us on your side, you can be sure that you are in the very best hands. Totally committed to quality and safety, 7 days a week for 363 days a year.

Dedicated Trade Advice Line / Fully Stocked Vans
Installer Priority Call-Outs / Exclusive Service Plans

Opening Times

Mon-Fri 8am-6pm, weekends and bank holidays* 8.30am-2pm.

Simply call 0344 871 1535 or visit us at baxi.co.uk/customer-support.htm

*excluding Christmas Day and New Year's Day

PRODUCT RANGE

Full specification details on all our products are available to download from our website.

To support our corporate responsibility and sustainability charters and reduce our printed material, we encourage you to download product brochures from our website.

In designing these files we have taken into account the need to access data on screen.

If you would like to receive a printed copy of our full product catalogue please call our literature hotline on 01603 420127.

Heatrae Sadia may introduce modifications to their products from time to time. Consequently, the details given in this brochure are subject to alteration without notice.

Please follow us online:



Please recycle this product once you have finished with it.