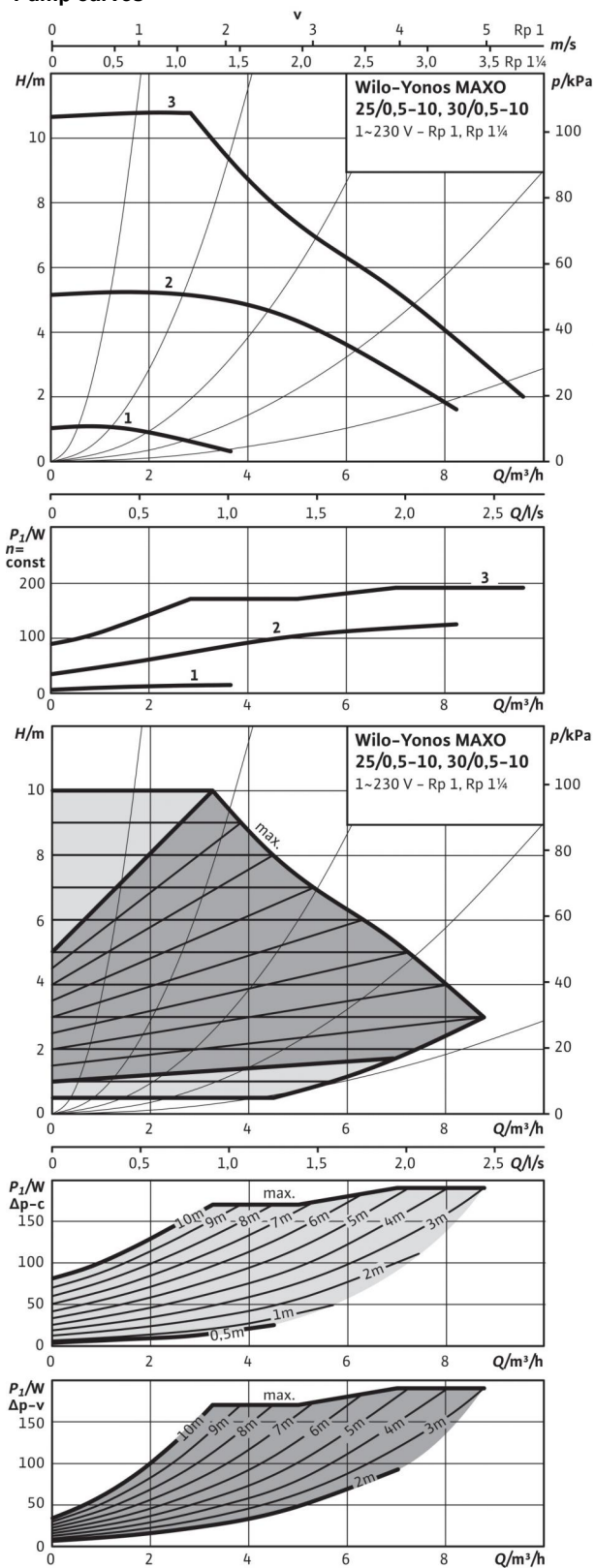


Data sheet: Wilo-Yonos MAXO 30/0,5-10

Pump curves



Approved fluids (other fluids on request)

Heating water (in accordance with VDI 2035)

Water-glycol mixtures (max. 1:1; above 20% admixture, the pumping data must be checked)

Permitted field of application

Temperature range at max. ambient temperature +40 °C

Maximum permissible operating pressure P_{max}

Pipe connections

Threaded pipe union

Thread

Overall length l_0

Motor/electronics

Energy efficiency index (EEI) ≤ 0.20

Electromagnetic compatibility EN 61800-3

Emitted interference EN 61000-6-3

Interference resistance EN 61000-6-2

Speed control Frequency converter

Protection class IP X4D

Insulation class F

Mains connection 1~230 V, 50/60 Hz

Rated power P_2 140.00 W

Speed n 1000 - 4450 rpm

Power consumption P_1 5 - 190 W

Current consumption I 0.08 - 1.3 A

Motor protection integrated

Threaded cable connection PG M20x1.5

Materials

Pump housing Grey cast iron (EN-GJL-200)

Impeller Plastic (PPE - 30% GF)

Pump shaft Stainless steel (X30CR13)

Bearing Carbon, metal impregnated

Minimum suction head at suction port for avoiding cavitation at water pumping

Temperature

Minimum suction head at 50 / 95 / 110 °C

Information for order placements

Make Wilo

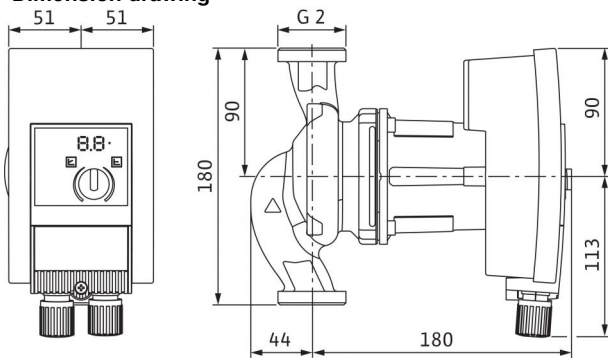
Type Yonos MAXO 30/0,5-10

Art no. 2120643

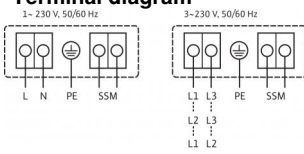
Weight approx. m 4.6 kg

Data sheet: Wilo-Yonos MAXO 30/0,5-10

Dimension drawing



Terminal diagram



SSM:

Collective fault signal

(NC contact in accordance with VDI 3814, load capacity 1 A, 250 V ~)

For function see chapter "Consulting guide"