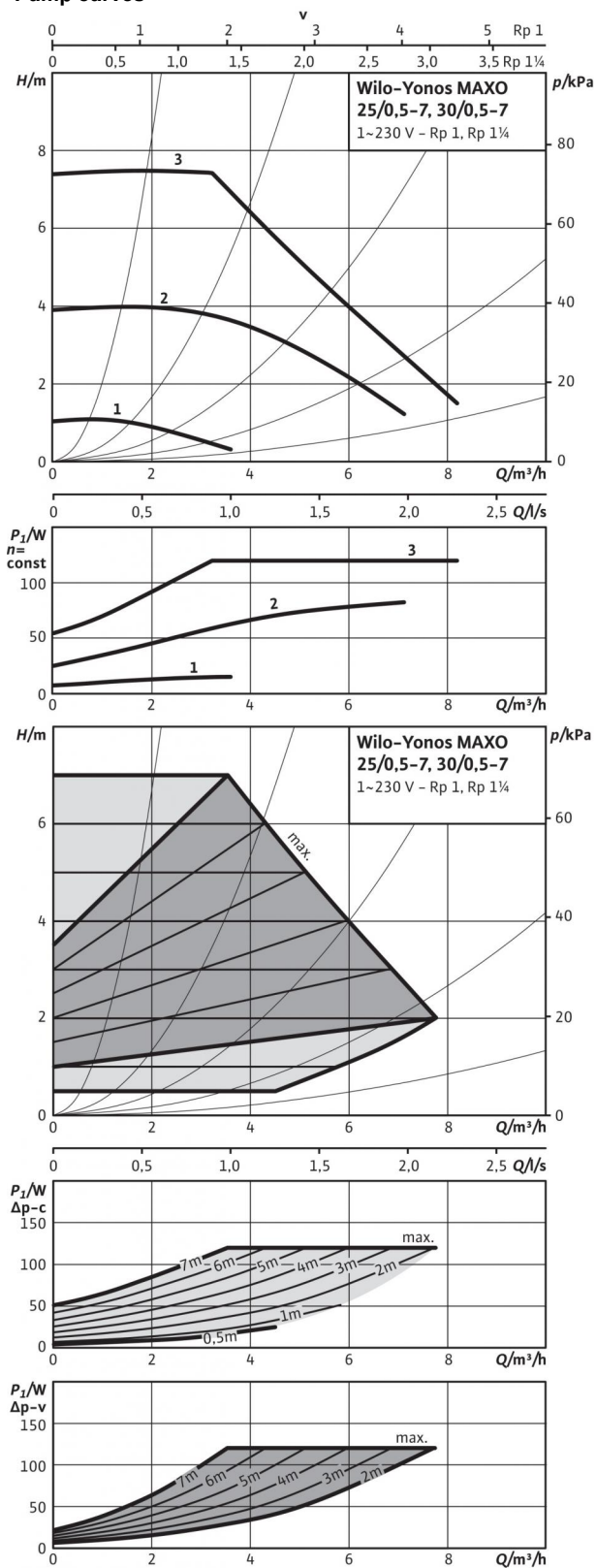


Data sheet: Wilo-Yonos MAXO 25/0,5-7

Pump curves



Approved fluids (other fluids on request)

Heating water (in accordance with VDI 2035)

Water-glycol mixtures (max. 1:1; above 20% admixture, the pumping data must be checked)

Permitted field of application

Temperature range at max. ambient temperature +40 °C

Maximum permissible operating pressure P_{max}

Pipe connections

Threaded pipe union

Thread

Overall length l_0

Motor/electronics

Energy efficiency index (EEI)

Electromagnetic compatibility

Emitted interference

Interference resistance

Speed control

Protection class

Insulation class

Mains connection

Rated power P_2

Speed n

Power consumption P_1

Current consumption I

Motor protection

Threaded cable connection PG

Materials

Pump housing

Impeller

Pump shaft

Bearing

Minimum suction head at suction port for avoiding cavitation at water pumping

Temperature

Minimum suction head at 50 / 95 / 110 °C

Information for order placements

Make

Type

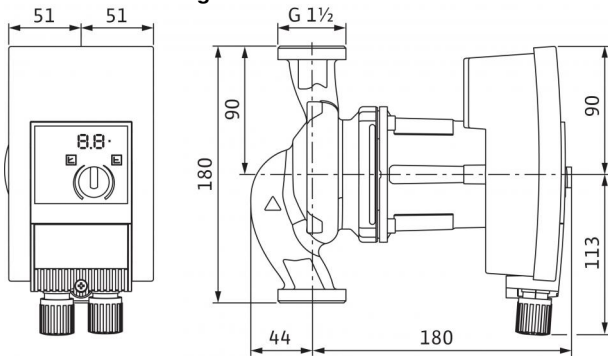
Art no.

Weight approx. m

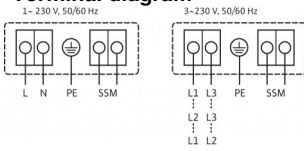
•	
•	
-20...+110 °C	
10 bar	
Rp 1	
G 1½	
180 mm	
≤ 0.20	
EN 61800-3	
EN 61000-6-3	
EN 61000-6-2	
Frequency converter	
IP X4D	
F	
1~230 V, 50/60 Hz	
90.00 W	
1000 - 3700 rpm	
5 - 120 W	
0.08 - 1 A	
integrated	
M20x1.5	
Grey cast iron (EN-GJL-200)	
Plastic (PPE - 30% GF)	
Stainless steel (X30CR13)	
Carbon, metal impregnated	
3 / 10 / 16 m	
Wilo	
Yonos MAXO 25/0,5-7	
2120639	
4.5 kg	

Data sheet: Wilo-Yonos MAXO 25/0,5-7

Dimension drawing



Terminal diagram



SSM:

Collective fault signal

(NC contact in accordance with VDI 3814, load capacity 1 A, 250 V ~)

For function see chapter "Consulting guide"