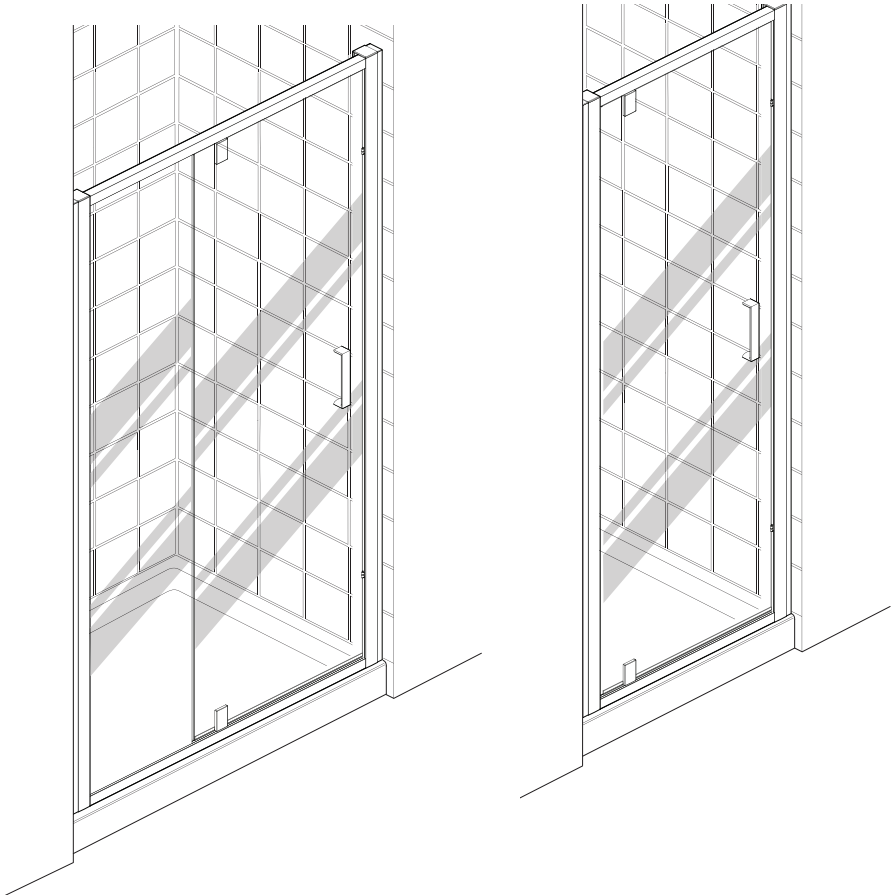


## Skyline Pivot Door



These instructions must be left with the user

Installation Guide

THE BOLD LOOK  
OF **KOHLER**®

# INTRODUCTION

Thank you for purchasing a quality KOHLER® product. To enjoy the full potential of your new product, please take time to read this guide thoroughly, having done so, keep it handy for future reference.

The following pages aim to provide comprehensive installation instructions, plus advice on how to care and maintain your product.

We recommend that the unit is installed by a qualified plumber or engineer.

## General

1. Read all of these instructions and retain this guide for later use.
2. Pass on this guide in the event of change of ownership of the installation site.
3. Follow all warnings, cautions and instructions contained in this guide.
4. Remove all protective tape from the enclosure before installation.

# GENERAL INFORMATION

## Safety Information

1. Care should be taken when drilling into walls and floors to avoid any hidden pipes or wires.
2. We strongly recommend that all glass panels are moved by a minimum of two people and that any protective packaging along the glass edges is kept in place for as long as possible to prevent damage before installation.
3. During installation we recommend additional help in lifting heavy doors and side panels.
4. Wear protective footwear when lifting panels.
5. Wear safety glasses when drilling.

## Wall Preparation



The wall channels must be installed onto a tiled or waterproof finished flat and even wall surface. Failure to do so will result in an unsatisfactory seal, which may cause property damage.



**Note!** If being installed as part of an enclosure refer to the Side Panel Installation and User Guide.

# GUARANTEE

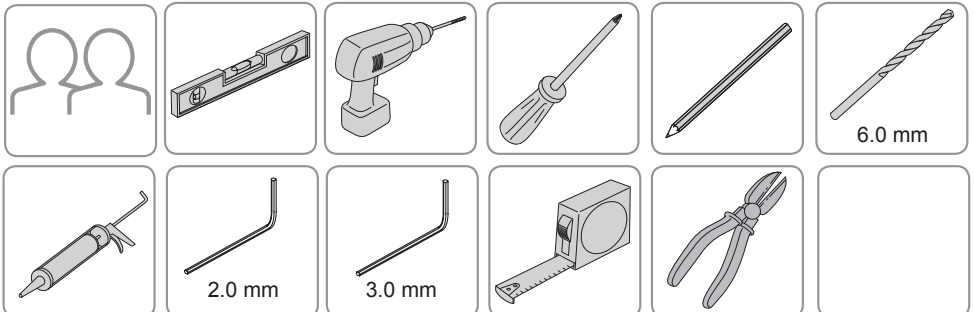
For **domestic installations**, your enclosure has the benefit of our lifetime guarantee which starts from date of purchase.

For **non-domestic installations**, we guarantee the product against any defect in materials or workmanship for a period of one year from the date of purchase.

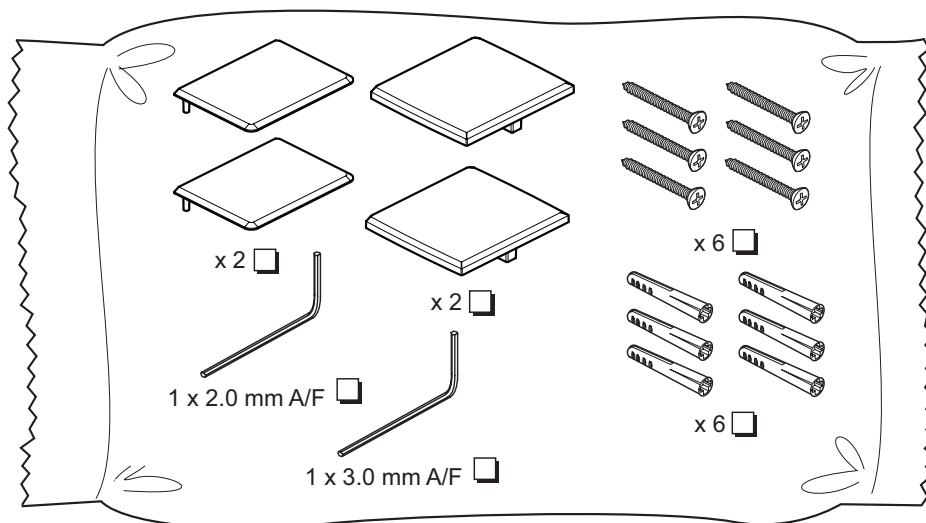
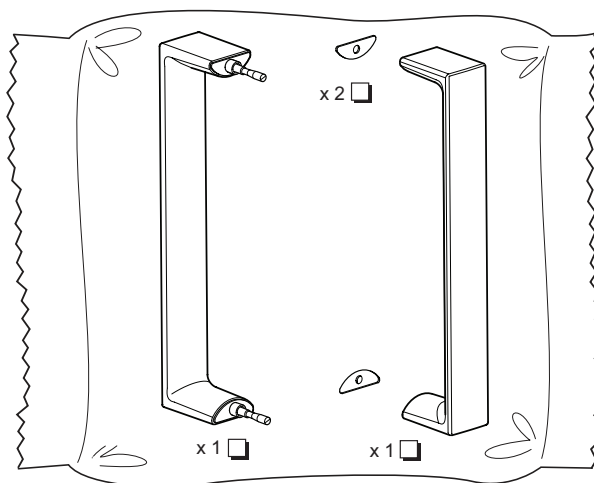
For terms and conditions refer to the back cover of this guide.

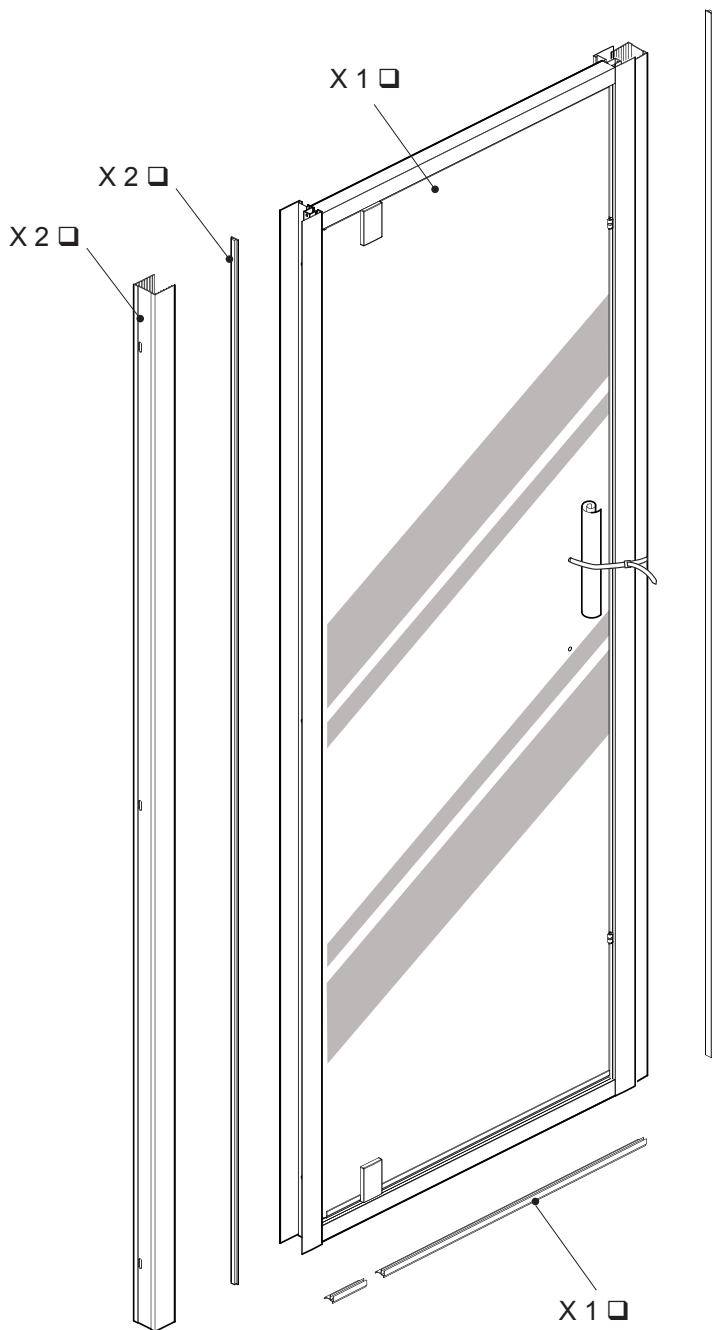
Recommended Usage	
Domestic	✓
Light Commercial	✓
Heavy Commercial	✗
Healthcare	✗

# TOOLS REQUIRED



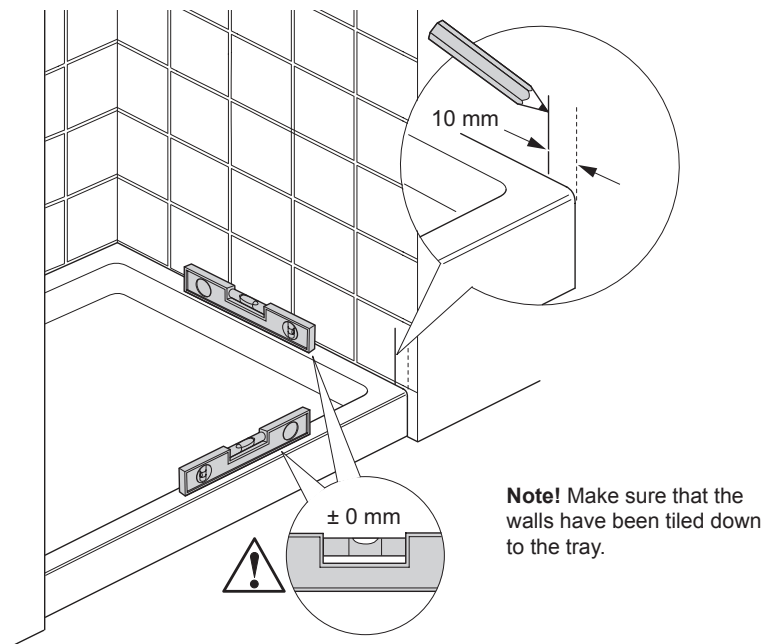
# PACK CONTENTS





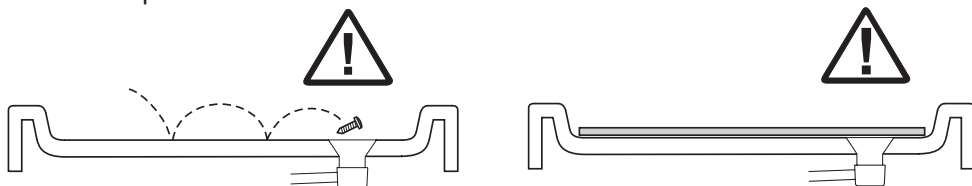
# INSTALLATION

1



Height of Enclosure (mm)	1900		
Min/Max Frame Adjustment	Enclosure Size	Minimum (mm)	Maximum (mm)
	760	710	770
	800	750	810
	900	850	910
	1000	950	1010
	1200	1150	1210

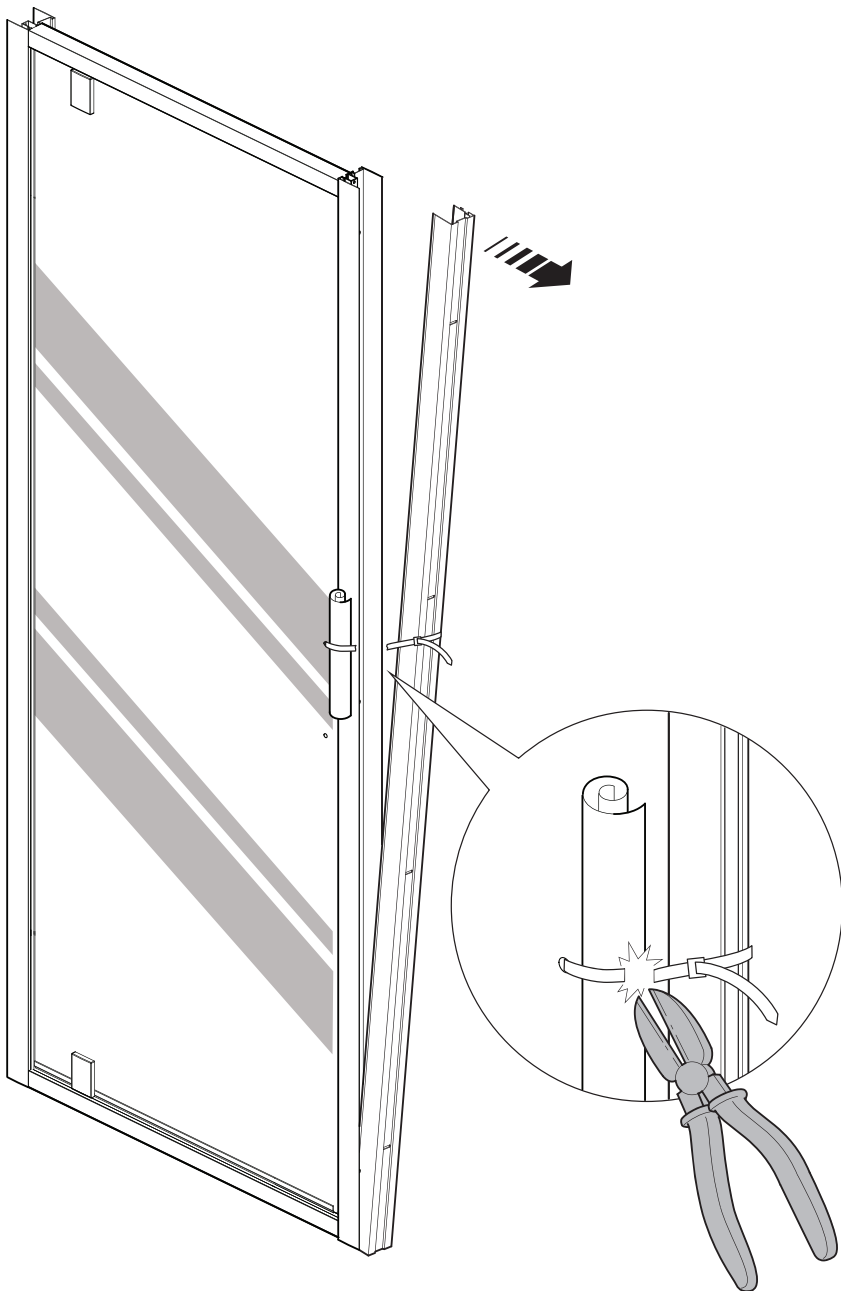
- (a) Install the shower tray in accordance with the manufacturer's instructions.  
**Caution!** Make sure that the shower tray is level and that the walls are vertical and square.



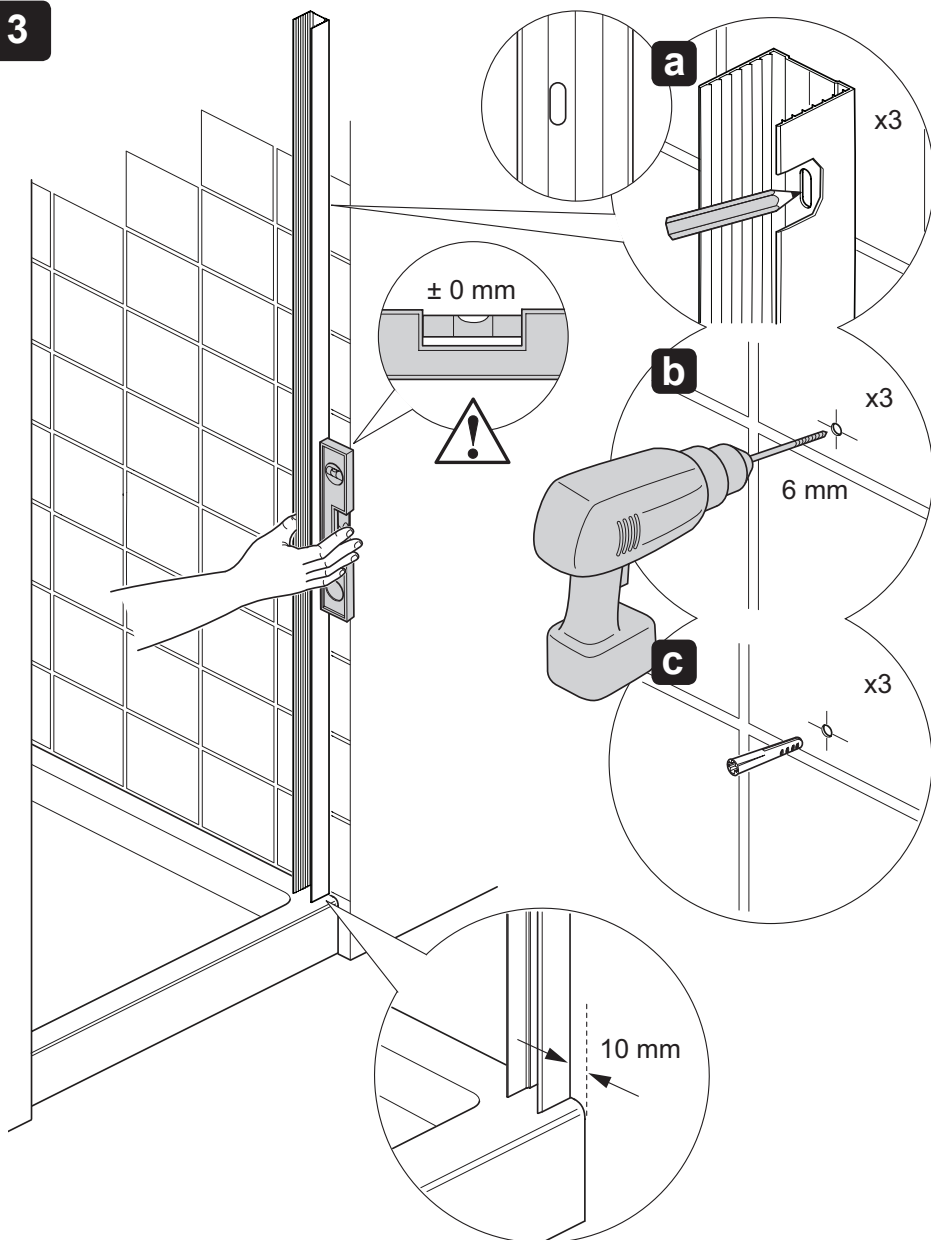
**Note!** Cover the tray waste to prevent the loss of small parts.

**Note!** Protect the tray surface during enclosure installation.

2

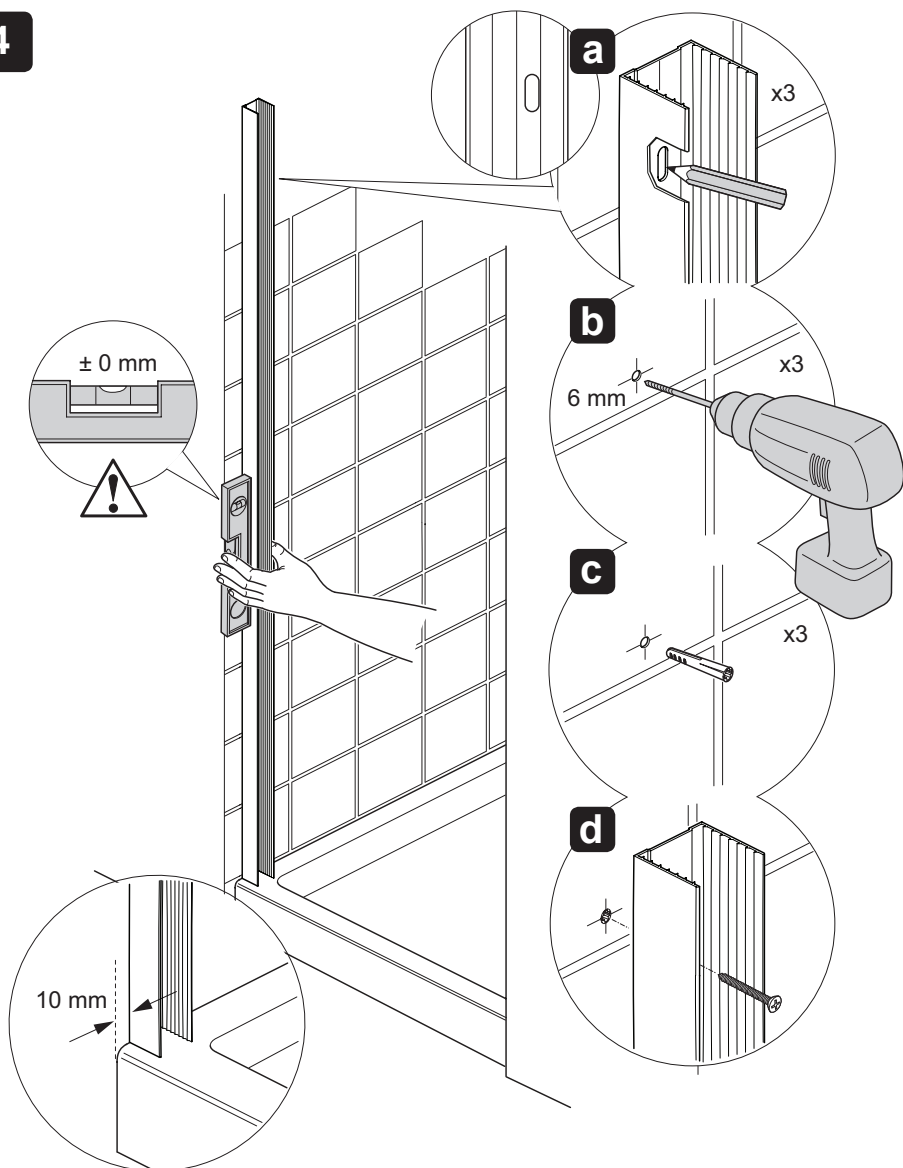


- (a) Using a suitable tool, cut and remove the zip tie. Make sure that the door remains closed when moving/positioning the door.
- (b) Remove the wall channel.

**3**

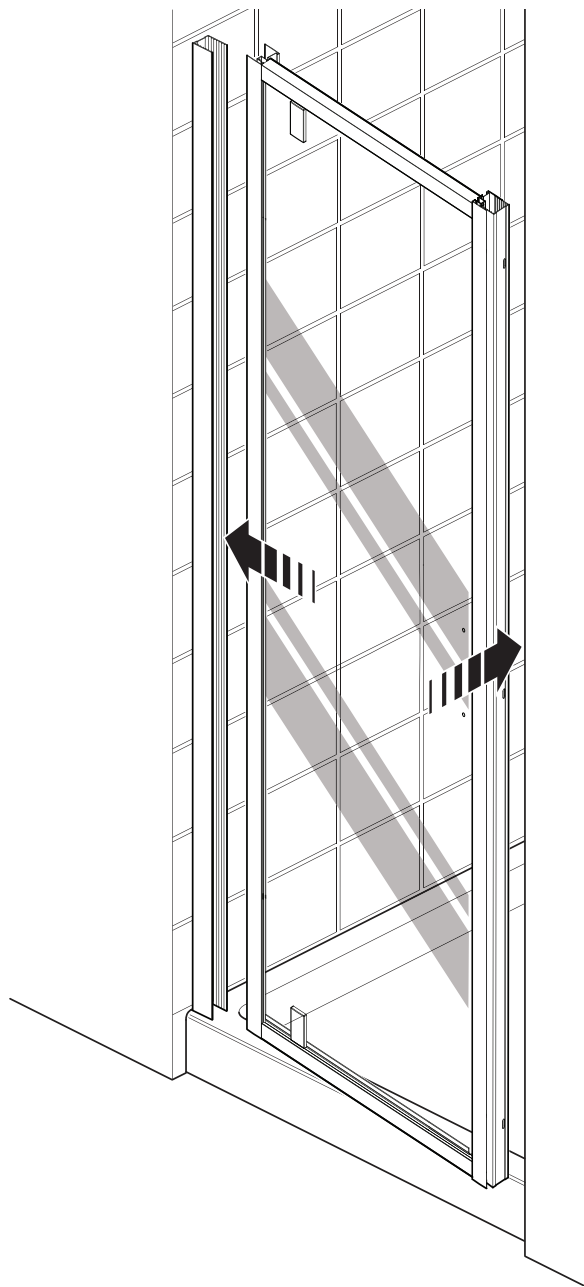
- (a)** Position the wall channel (handle side) on the wall. Using a spirit level make sure that it is upright.
- (b)** Mark the position of the fixing holes, then remove the wall channel.
- (c)** Drill with a 6 mm masonry bit (not supplied) and plug using the wall plugs (supplied).



**4**

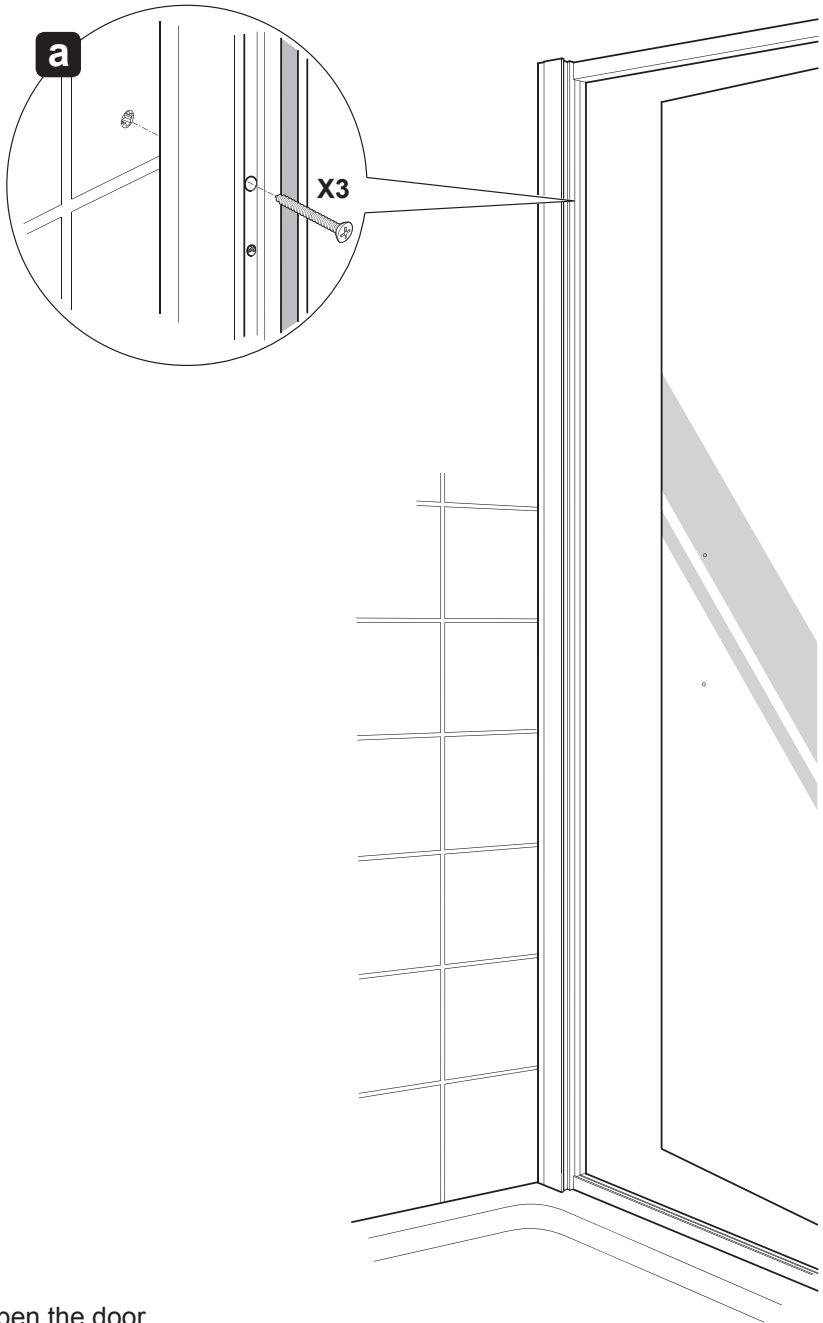
- (a)** Position the second wall channel (hinge side) on the wall. Using a spirit level make sure that it is upright.
- (b)** Mark the position of the fixing holes, then remove the wall channel.
- (c)** Drill with a 6 mm masonry bit (not supplied) and plug using the wall plugs (supplied).
- (d)** Position the wall channel on the wall and install the fixing screws.
- (e)** Fully tighten the fixing screws, making sure that the wall channel is upright.

5



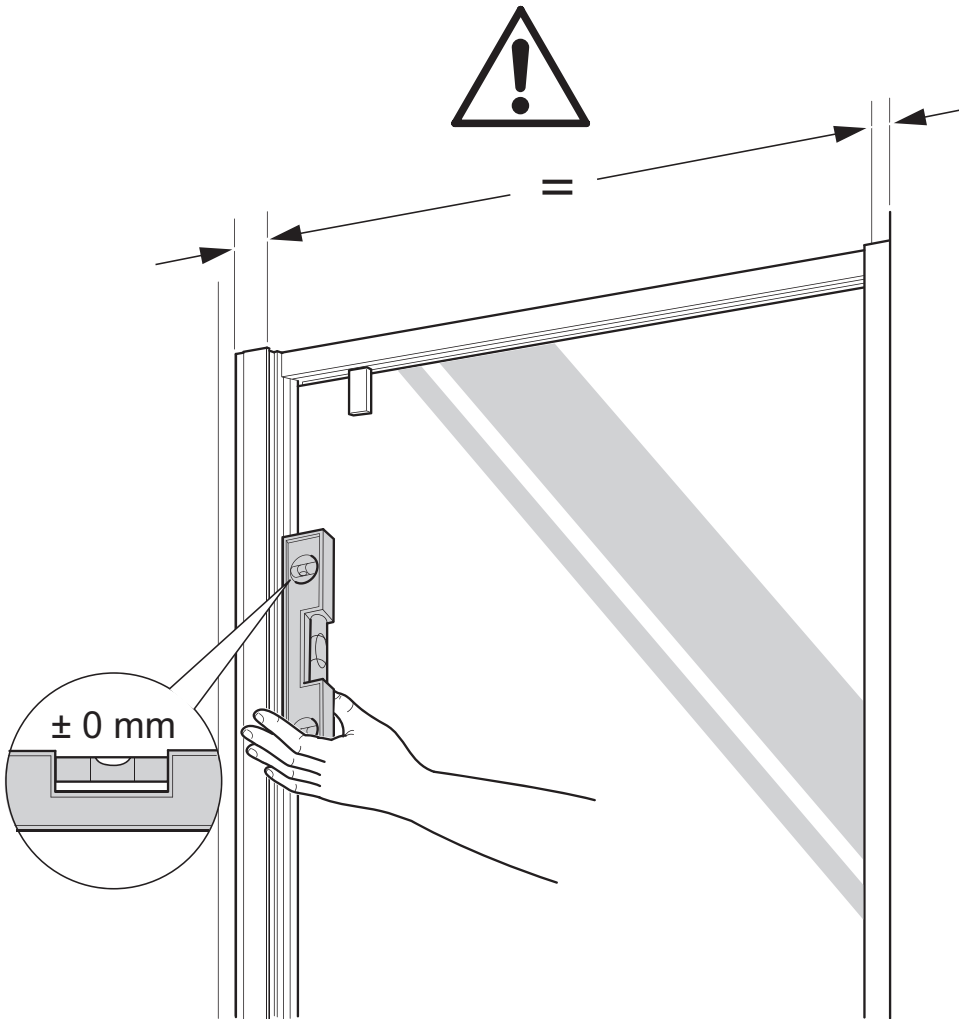
- (a) Install the first wall channel into the door frame and hold in position.
- (b) Install the door frame over the wall channel that had been secured to the wall earlier.
- (c) Adjust the door frame so that it is in the correct position.

6

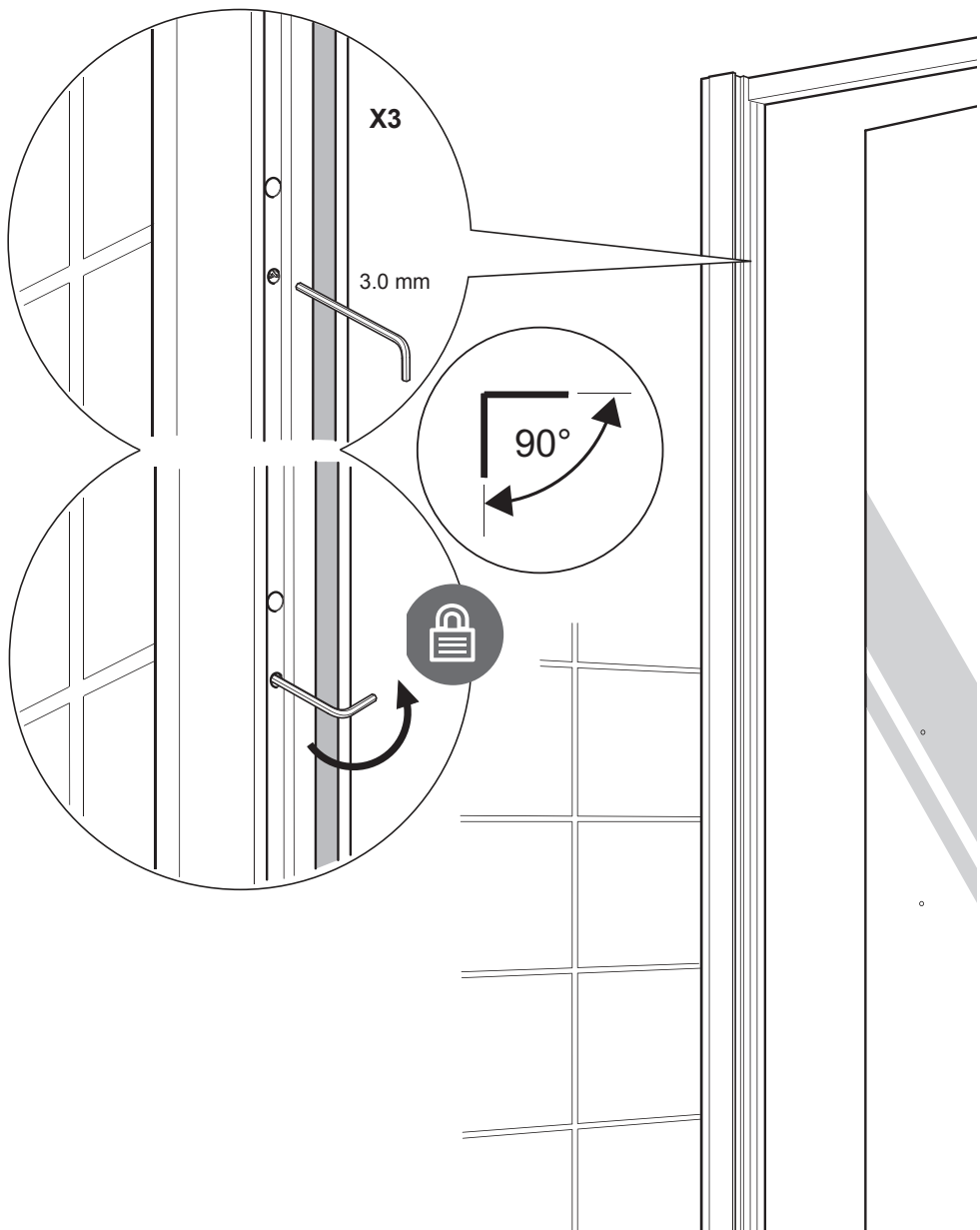


- (a) Open the door.
- (b) Install the wall channel fixing screws through the access holes in the door frame.
- (c) Fully tighten the fixing screws, making sure that the wall channel is upright.

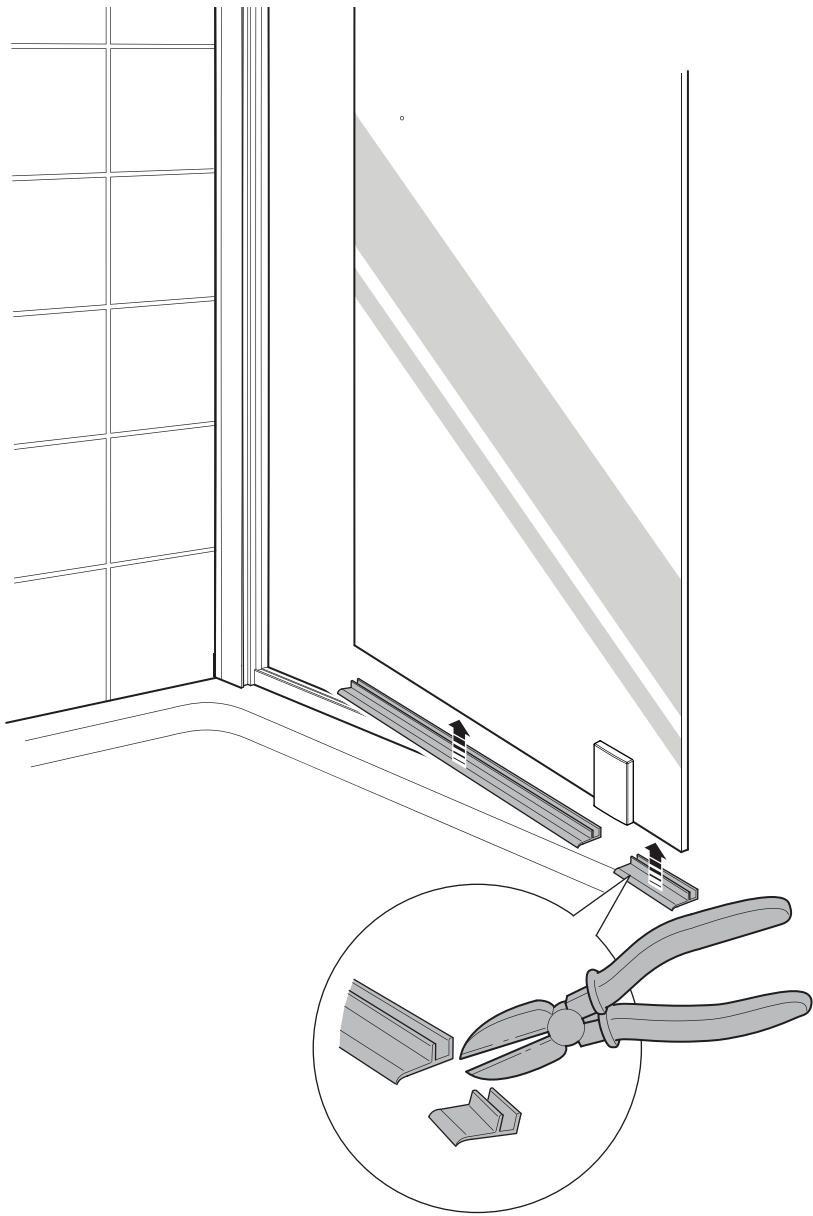
7



- (a) Centralise the door frame within the wall channels, making sure that the door frame is square.

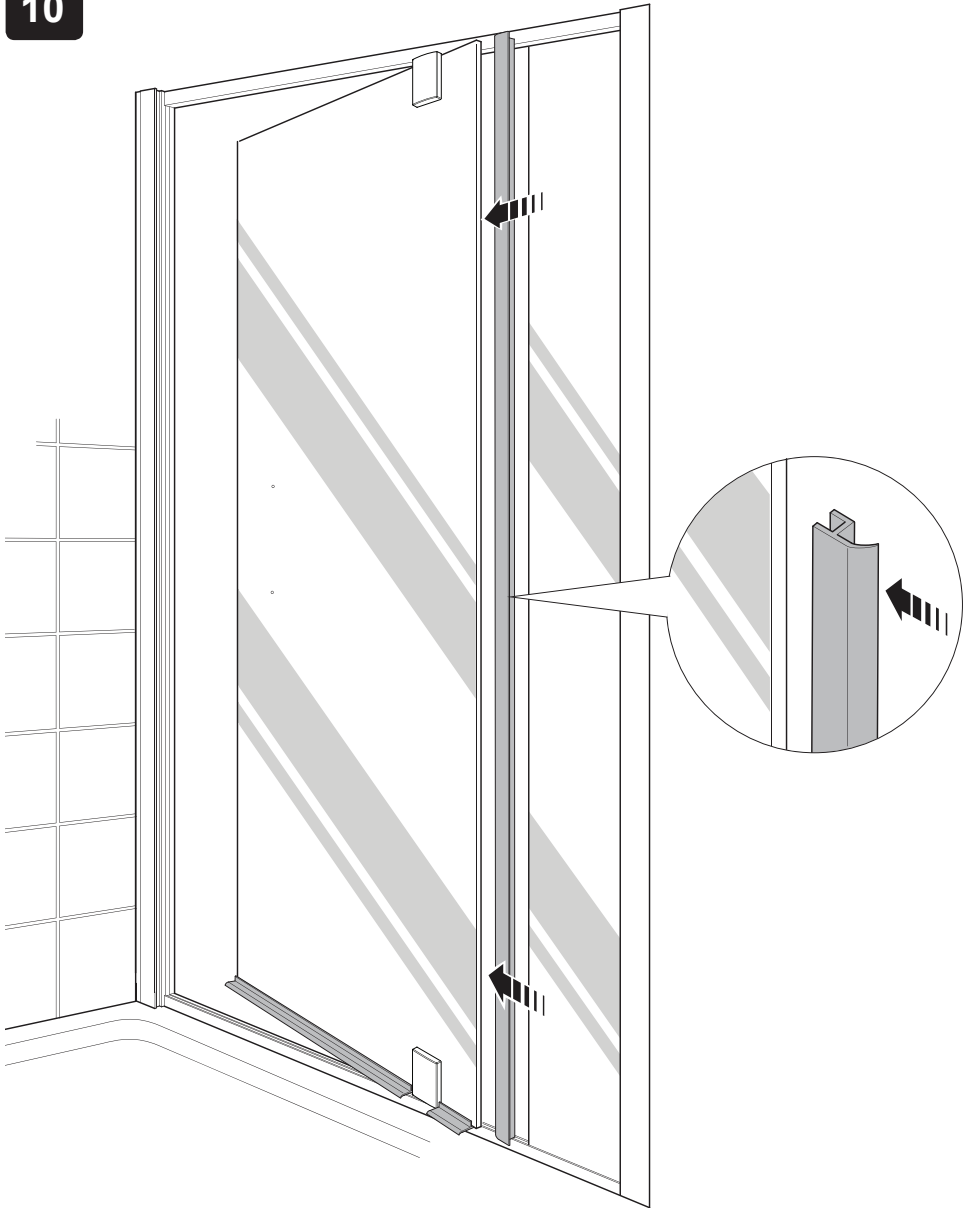


(a) Using the 3.0 mm hexagonal wrench (supplied), turn through 90° in three locations to lock the door frame in position. Repeat this on the other wall channel.

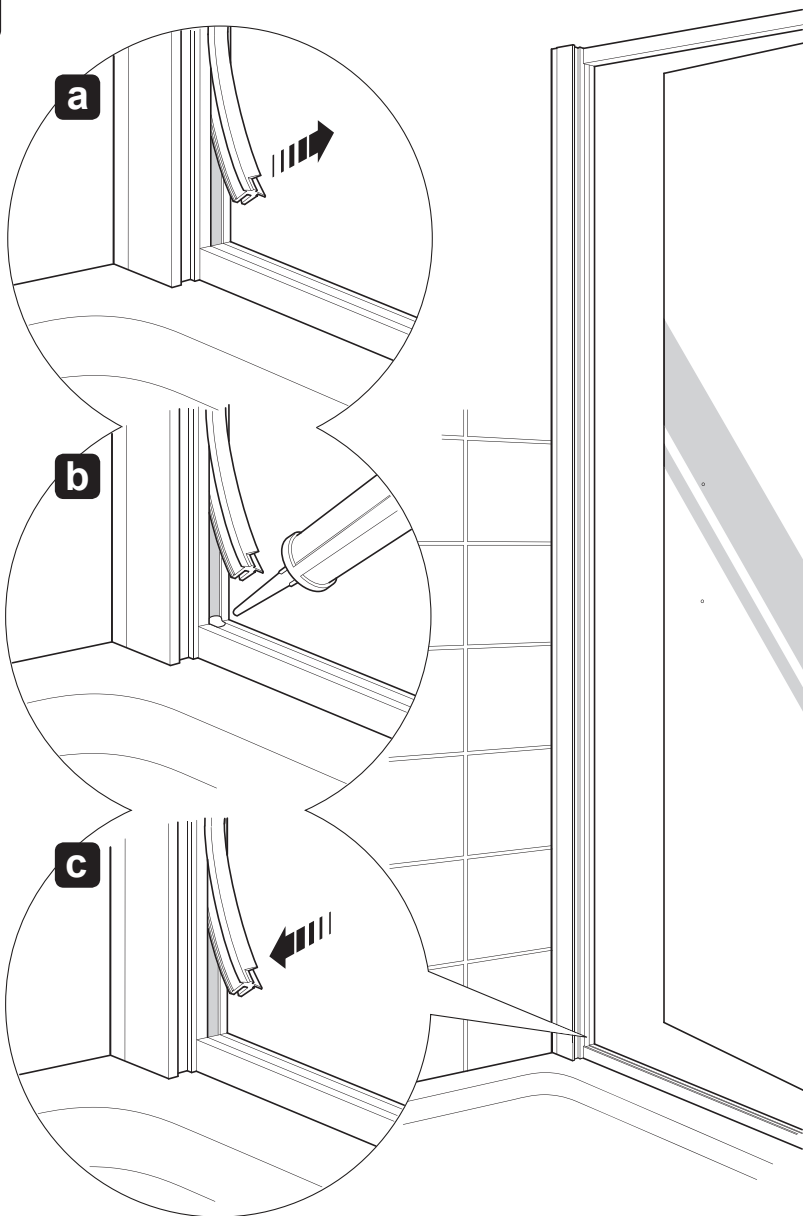


**(a)** Install the splash seal to the door as shown above.  
For the inline pivot door the short seal will have to be cut to length after adjustment of the door in step 13.

10

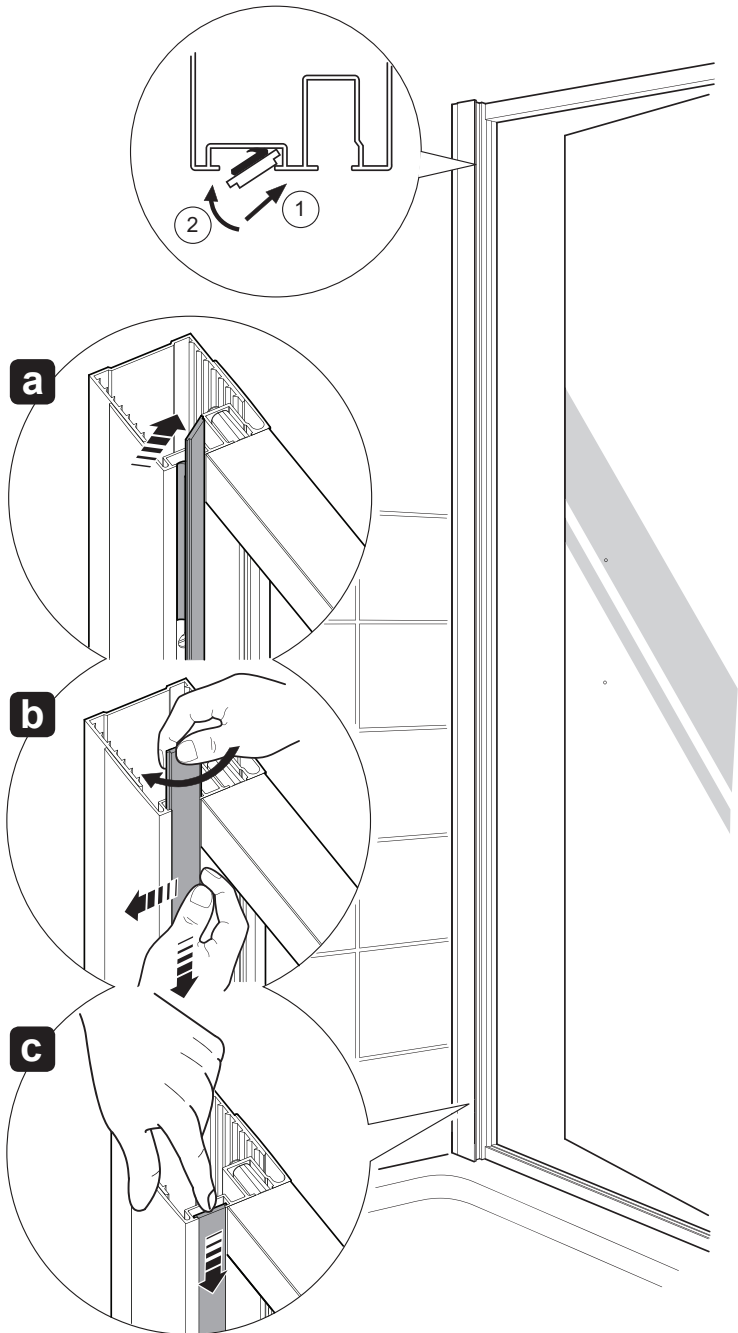


(a) Install the panel seal to the door shown above.



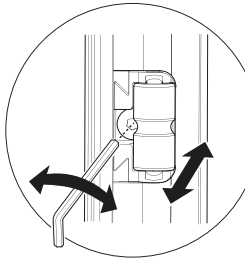
- (a) Partially remove the door sealing strips as shown above.
- (b) Apply a small amount of sealant in accordance with the sealant manufacturers instructions as shown above.
- (c) Fit the door sealing strips back in position. Remove any excess silicone sealant.





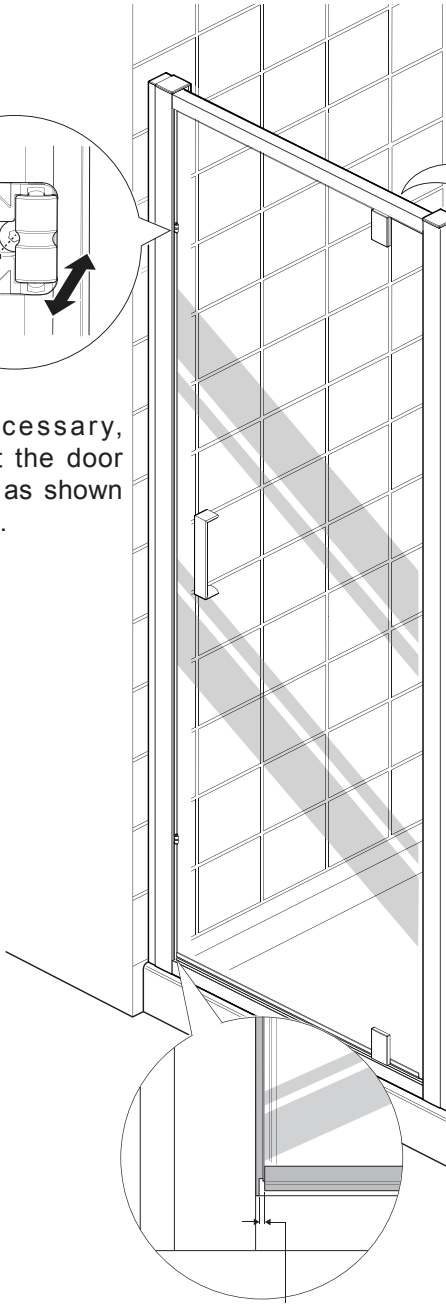
(a) Install the infill strip as shown above to both sides, working from top to bottom.

13

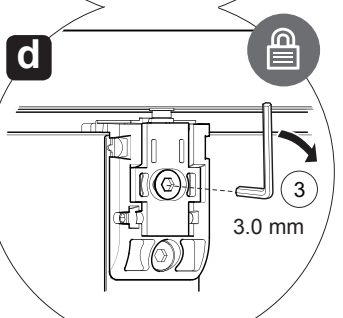
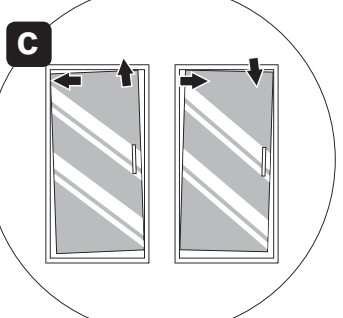
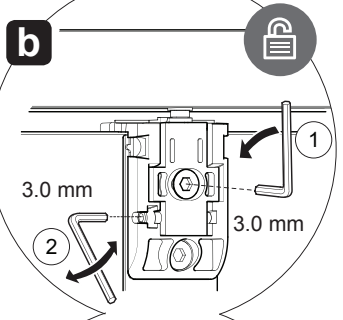
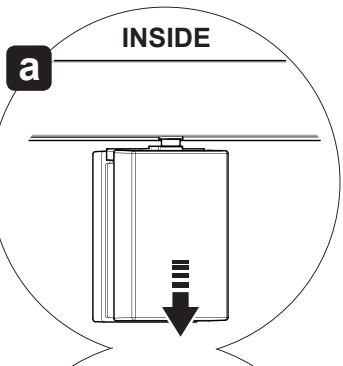


2.0 mm

(a) If necessary, adjust the door catch as shown above.

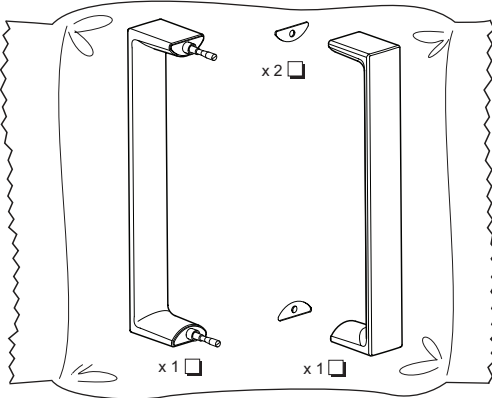


**Note!** Adjust door to minimise seal gap

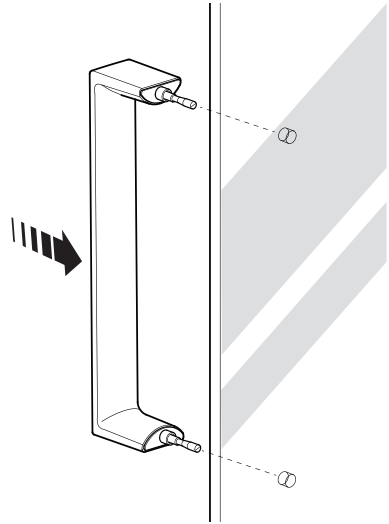


(b) If the door is out of square, adjust as shown above.

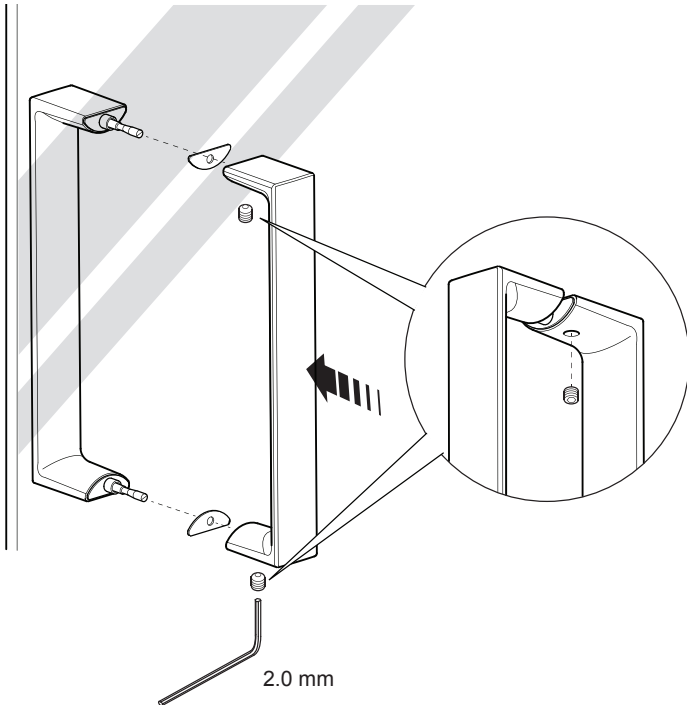
14



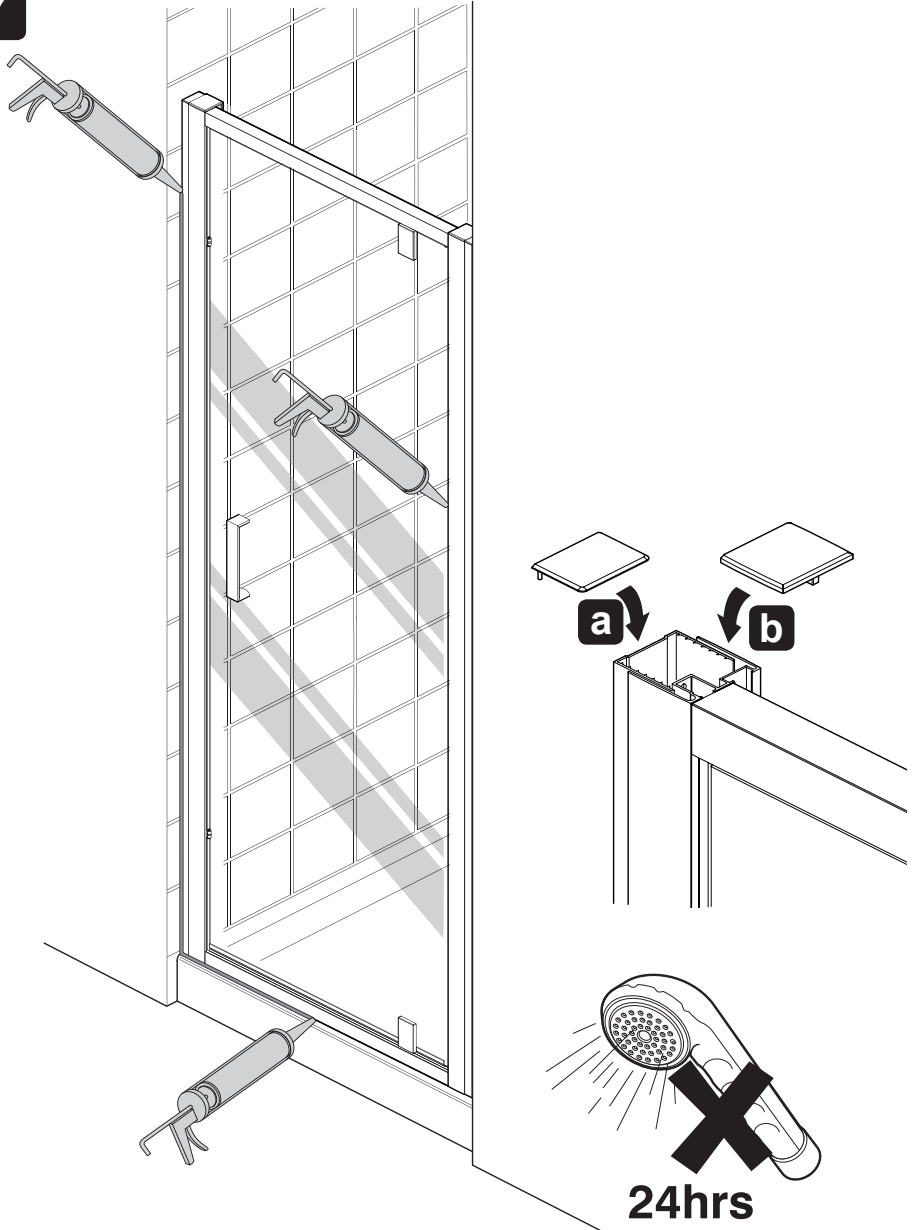
15



16



17



- (a) Apply sealant in accordance with the sealant manufacturers instructions along the outside surfaces of the door frame only.
- (b) Allow the silicone sealant to cure for 24 hours before use.
- (c) Fit the plastic covers to the top of the extrusions.

# MAINTENANCE

## General Maintenance

Providing the shower enclosure has been correctly installed and is operated in accordance with the instructions contained in this guide, difficulties should not arise.

If any maintenance is required then it must be carried out by a competent tradesperson to whom the maintenance instructions are provided.

Before replacing any parts ensure the underlying cause of the malfunction has been resolved.

## Cleaning

**Warning!** Many household cleaners contain abrasive and chemical substances and should not be used for cleaning painted, plated or plastic fittings.

These finishes should be cleaned with a mild washing up detergent or soap solution and then wiped dry using a soft cloth.

## Care

To preserve the beauty of your shower enclosure for many years, please observe the following care instructions:

Rinse glass and frame with clear water after showering. Remove water droplets with a squeegee. Do not rub dry! To clean your shower hygienically and easily, we recommend the use of a biodegradable cleanser.

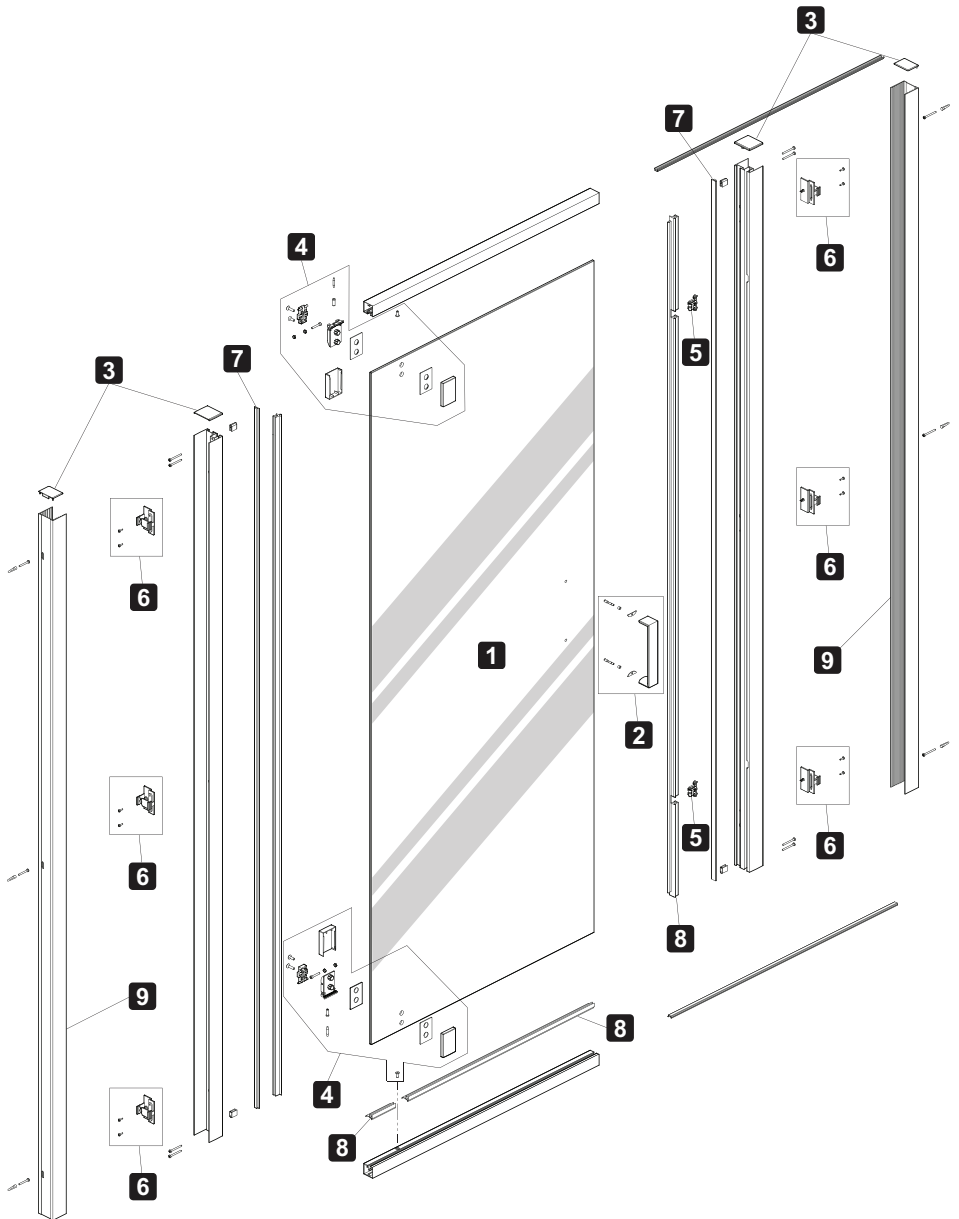
Regular cleansing with a biodegradable cleanser prevents stubborn stains and ensures a clean and hygienic surface for many years. Do not use scouring or caustic cleansers under any circumstances! These can damage the surface of the frame, glass and decorative parts as well as the plastic parts.

## Chrome Parts

Use only cleansers expressly specified for chrome!

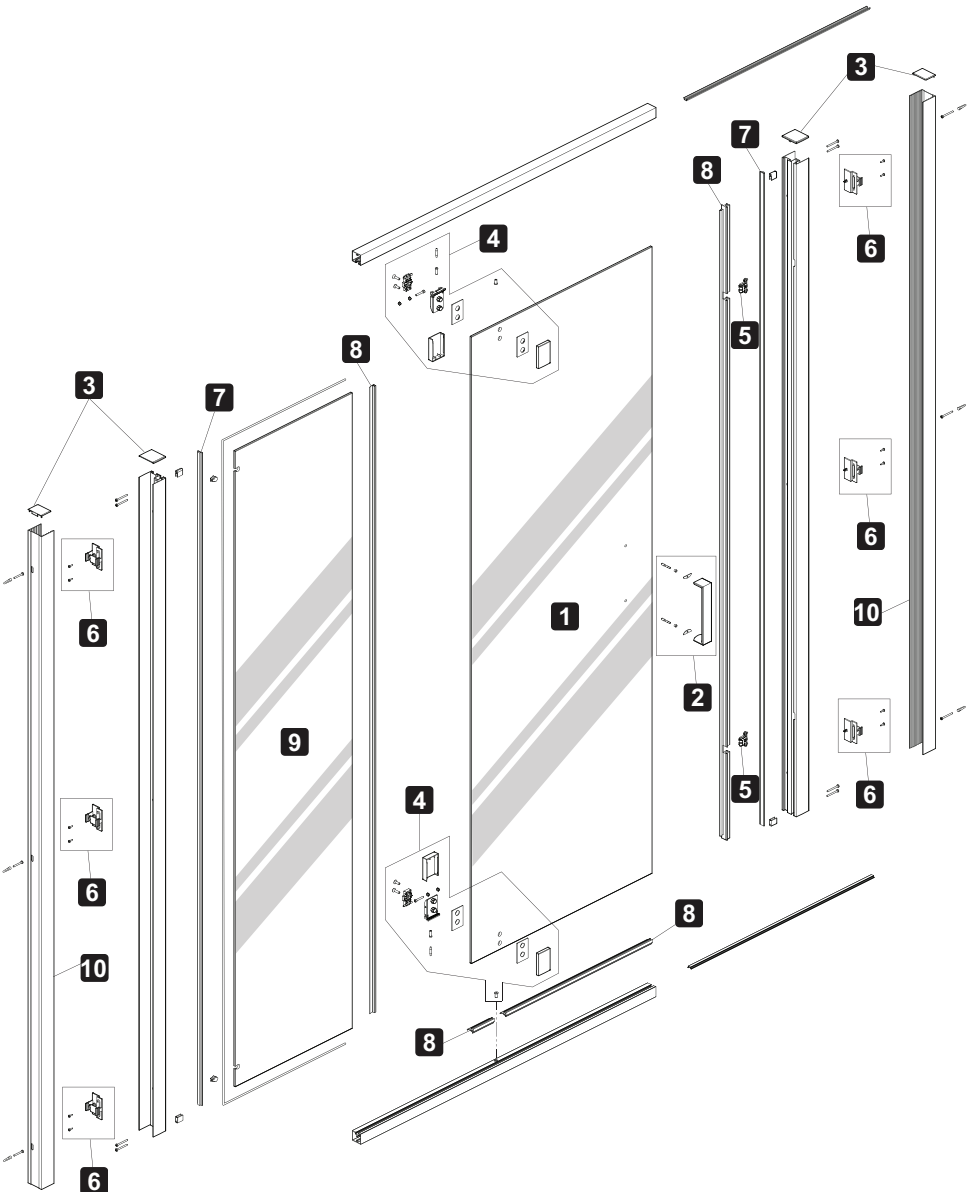
# SPARE PARTS

760, 800, 900 Pivot Door



1	1781.375	Pivot Door Glass Spare 760
	1781.385	Pivot Door Glass Spare 800
	1781.386	Pivot Door Glass Spare 900
2	1781.376	Handle Spare
3	1781.377	Door Top Cap Pack
4	1781.378	Hinge Spare
5	1781.379	Ball Catch Spare
6	1781.380	Locking Mechanism Spare
7	1781.381	Infill Spare
8	1781.382	Seal Kit Pivot Door
9	1781.427	Wall Channel Spare

# 1000, 1200 Pivot Door





1	1781.385	Pivot Door Glass Spare 1000, 1200
2	1781.376	Handle Spare
3	1781.377	Door Top Cap Pack
4	1781.378	Hinge Spare
5	1781.379	Ball Catch Spare
6	1781.380	Locking Mechanism Spare
7	1781.381	Infill Spare
8	1781.383	Seal Kit Pivot Inline
9	1781.384	Pivot Panel Glass Spare 1000
	1781.387	Pivot Panel Glass Spare 1200
10	1781.427	Wall Channel Spare

# NOTES

# NOTES

# CUSTOMER SERVICE

## Guarantee

Your enclosure has the benefit of our lifetime guarantee which starts from the date of purchase.

To activate this guarantee, you must return your completed registration card with a copy of proof of purchase from an approved Kohler retailer within 30 days of purchase.

**This guarantee is in addition to your statutory rights and is subject to conditions (see registration card).**

## What to do if something goes wrong

If your product does not function correctly when you first use it, contact your installer to check that it is installed in accordance with the instructions in this manual.

If this does not resolve the issue, contact our Customer Services Team who will offer you or your installer help and advice.



### Helpdesk Service

Our Customer Services Team is comprehensively trained and can offer help and advice, spare parts, accessories or a service visit.

We will need you to have your model name, model number and date of purchase.



### KOHLER® Website ([www.KOHLER.co.uk](http://www.KOHLER.co.uk))

From our website you can download additional user guides or request a service visit.



### Spares and Accessories

We hold the largest stocks of genuine Kohler spares and accessories.

Contact us for a price and to purchase spares or accessories.



### Service / Repairs

No one knows our products better than our nationwide team of Service Technicians. We can carry out service or repair work to your product both during and after the guarantee period.

Ask about our fixed price service repairs.

## To Contact Us: UK



0844 571 0048



Fax: 0844 571 7157



E-mail: [info@kohler.co.uk](mailto:info@kohler.co.uk)

## To Contact Us: Eire Only



0044 844 571 0048



Fax: 0044 844 571 7157

## By Post:

Kohler Mira Limited  
Customer Services Dept,  
1 Penrose Place,  
Skelmersdale,  
WN8 9PR



Kohler Mira Limited, Cromwell Road, Cheltenham,  
Gloucestershire, GL52 5EP, UK

13

EN 14428:2004 + A1: 2008

Kohler is a registered trade mark.  
The company reserves the right to alter  
product specifications without notice.

THE BOLD LOOK  
OF **KOHLER**®